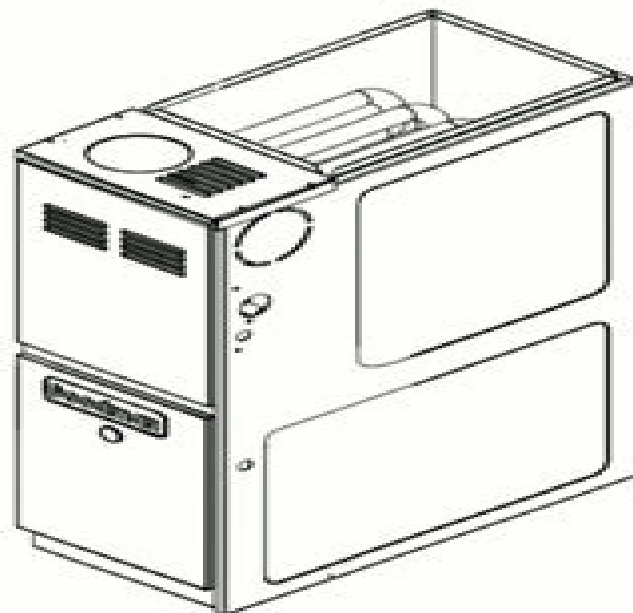
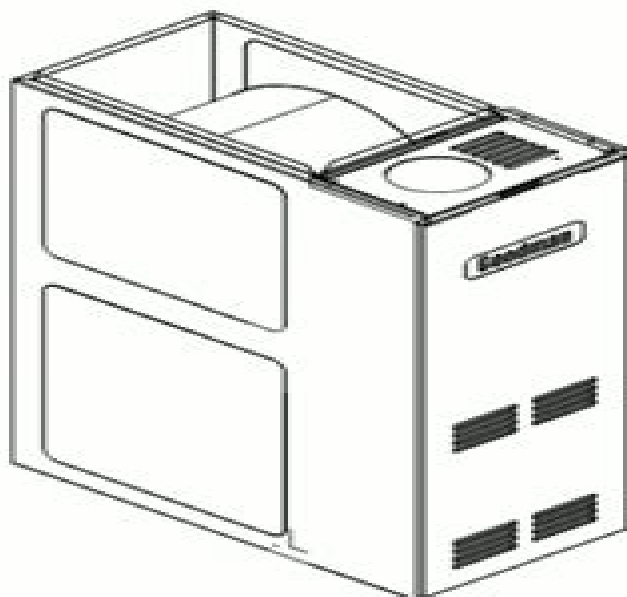


TECHNICAL INFORMATION MANUAL

GDS8, GMS8, GHS8 40" 80% Gas Furnace Units

Models listed on
page 3

- Refer to Service Manual RS6610004 for installation, operation, and troubleshooting information.
- All safety information must be followed as provided in the Service Manual.
- Refer to the appropriate Parts Catalog for part number information.



Goodman

This manual is to be used by qualified, professionally trained HVAC technicians only. Goodman does not assume any responsibility for property damage or personal injury due to improper service procedures performed by an unqualified person.

RT 6622004 Rev. 1
September 2007

Copyright © 2005-2007 Goodman Manufacturing Company, L.P.

Goodman Furnace Gms8 Repair Manual

Mike Stubblefield, John Harold Haynes

A red circular graphic with a gradient, appearing as a partial circle on the right side of the page, overlapping the light blue bar.

Goodman Furnace Gms8 Repair Manual:

General Motors Full-Size Trucks (99-01) Repair Manual Jeff Kibler, 2002 This manual offers do it yourselfers at all levels total maintenance service and repair information including photos and exploded view illustrations

Ford Pick-ups & Bronco Automotive Repair Manual Mark Christman, John B. Raffa, John Harold Haynes, 1996 Haynes disassembles every subject vehicle and documents every step with thorough instructions and clear photos Haynes repair manuals are used by the pros but written for the do it yourselfer

General Motors Buick Skyhawk, Cadillac Cimarron, Chevrolet Cavalier, Oldsmobile Firenza, Pontiac J2000 & Sunbird, 1982 Thru 1994 Larry Warren, John Harold Haynes, 1998

Diagnosis and Repair Manual General Motors Corporation, 1979

Ford Mustang Automotive Repair Manual Mike Stubblefield, John Harold Haynes, 2007 This repair manual for the Ford Mustang covers models from 2005 thru 2007 It also contains a complete troubleshooting section valuable short cuts spark plug diagnosis and much more

Ford Galaxy Service and Repair Manual M. R. Storey, 2012 This book provides information on routine maintenance and servicing with tasks described and photographed in a step by step sequence so that even a novice can do the work

Chilton's General Motors TrailBlazer, 2002-09 Repair Manual Alan Ahlstrand, Ralph Rendina, 2011 Total Car Care is the most complete step by step automotive repair manual you ll ever use All repair procedures are supported by detailed specifications exploded views and photographs From the simplest repair procedure to the most complex trust Chilton s Total Car Care to give you everything you need to do the job Save time and money by doing it yourself with the confidence only a Chilton Repair Manual can provide

Repair Manual Ford Motor Company, 1960

MGB John Harold Haynes, 1971

Ford Mustang Automotive Repair Manual John Harold Haynes, Bruce Gilmour, Marcus Stewart Daniels, 1979

Enjoying the Song of Expression: An Mental Symphony within **Goodman Furnace Gms8 Repair Manual**

In a global taken by displays and the ceaseless chatter of immediate communication, the melodic elegance and emotional symphony developed by the written word frequently disappear in to the background, eclipsed by the relentless sound and interruptions that permeate our lives. But, located within the pages of **Goodman Furnace Gms8 Repair Manual** a wonderful literary prize overflowing with organic emotions, lies an immersive symphony waiting to be embraced. Crafted by a wonderful composer of language, that interesting masterpiece conducts visitors on an emotional journey, well unraveling the hidden melodies and profound impact resonating within each cautiously crafted phrase. Within the depths of this touching evaluation, we shall investigate the book is key harmonies, analyze their enthralling writing design, and surrender ourselves to the profound resonance that echoes in the depths of readers souls.

<https://staging.conocer.cide.edu/results/detail/default.aspx/glitter%20unicorns%20stickers.pdf>

Table of Contents Goodman Furnace Gms8 Repair Manual

1. Understanding the eBook Goodman Furnace Gms8 Repair Manual
 - The Rise of Digital Reading Goodman Furnace Gms8 Repair Manual
 - Advantages of eBooks Over Traditional Books
2. Identifying Goodman Furnace Gms8 Repair Manual
 - Exploring Different Genres
 - Considering Fiction vs. Non-Fiction
 - Determining Your Reading Goals
3. Choosing the Right eBook Platform
 - Popular eBook Platforms
 - Features to Look for in an Goodman Furnace Gms8 Repair Manual
 - User-Friendly Interface
4. Exploring eBook Recommendations from Goodman Furnace Gms8 Repair Manual
 - Personalized Recommendations

- Goodman Furnace Gms8 Repair Manual User Reviews and Ratings
- Goodman Furnace Gms8 Repair Manual and Bestseller Lists
- 5. Accessing Goodman Furnace Gms8 Repair Manual Free and Paid eBooks
 - Goodman Furnace Gms8 Repair Manual Public Domain eBooks
 - Goodman Furnace Gms8 Repair Manual eBook Subscription Services
 - Goodman Furnace Gms8 Repair Manual Budget-Friendly Options
- 6. Navigating Goodman Furnace Gms8 Repair Manual eBook Formats
 - ePub, PDF, MOBI, and More
 - Goodman Furnace Gms8 Repair Manual Compatibility with Devices
 - Goodman Furnace Gms8 Repair Manual Enhanced eBook Features
- 7. Enhancing Your Reading Experience
 - Adjustable Fonts and Text Sizes of Goodman Furnace Gms8 Repair Manual
 - Highlighting and Note-Taking Goodman Furnace Gms8 Repair Manual
 - Interactive Elements Goodman Furnace Gms8 Repair Manual
- 8. Staying Engaged with Goodman Furnace Gms8 Repair Manual
 - Joining Online Reading Communities
 - Participating in Virtual Book Clubs
 - Following Authors and Publishers Goodman Furnace Gms8 Repair Manual
- 9. Balancing eBooks and Physical Books Goodman Furnace Gms8 Repair Manual
 - Benefits of a Digital Library
 - Creating a Diverse Reading Collection Goodman Furnace Gms8 Repair Manual
- 10. Overcoming Reading Challenges
 - Dealing with Digital Eye Strain
 - Minimizing Distractions
 - Managing Screen Time
- 11. Cultivating a Reading Routine Goodman Furnace Gms8 Repair Manual
 - Setting Reading Goals Goodman Furnace Gms8 Repair Manual
 - Carving Out Dedicated Reading Time
- 12. Sourcing Reliable Information of Goodman Furnace Gms8 Repair Manual
 - Fact-Checking eBook Content of Goodman Furnace Gms8 Repair Manual

- Distinguishing Credible Sources
- 13. Promoting Lifelong Learning
 - Utilizing eBooks for Skill Development
 - Exploring Educational eBooks
- 14. Embracing eBook Trends
 - Integration of Multimedia Elements
 - Interactive and Gamified eBooks

Goodman Furnace Gms8 Repair Manual Introduction

In today's digital age, the availability of Goodman Furnace Gms8 Repair Manual books and manuals for download has revolutionized the way we access information. Gone are the days of physically flipping through pages and carrying heavy textbooks or manuals. With just a few clicks, we can now access a wealth of knowledge from the comfort of our own homes or on the go. This article will explore the advantages of Goodman Furnace Gms8 Repair Manual books and manuals for download, along with some popular platforms that offer these resources. One of the significant advantages of Goodman Furnace Gms8 Repair Manual books and manuals for download is the cost-saving aspect. Traditional books and manuals can be costly, especially if you need to purchase several of them for educational or professional purposes. By accessing Goodman Furnace Gms8 Repair Manual versions, you eliminate the need to spend money on physical copies. This not only saves you money but also reduces the environmental impact associated with book production and transportation. Furthermore, Goodman Furnace Gms8 Repair Manual books and manuals for download are incredibly convenient. With just a computer or smartphone and an internet connection, you can access a vast library of resources on any subject imaginable. Whether you're a student looking for textbooks, a professional seeking industry-specific manuals, or someone interested in self-improvement, these digital resources provide an efficient and accessible means of acquiring knowledge. Moreover, PDF books and manuals offer a range of benefits compared to other digital formats. PDF files are designed to retain their formatting regardless of the device used to open them. This ensures that the content appears exactly as intended by the author, with no loss of formatting or missing graphics. Additionally, PDF files can be easily annotated, bookmarked, and searched for specific terms, making them highly practical for studying or referencing. When it comes to accessing Goodman Furnace Gms8 Repair Manual books and manuals, several platforms offer an extensive collection of resources. One such platform is Project Gutenberg, a nonprofit organization that provides over 60,000 free eBooks. These books are primarily in the public domain, meaning they can be freely distributed and downloaded. Project Gutenberg offers a wide range of classic literature, making it an excellent resource for literature enthusiasts. Another popular platform for Goodman Furnace Gms8 Repair Manual books and manuals

is Open Library. Open Library is an initiative of the Internet Archive, a non-profit organization dedicated to digitizing cultural artifacts and making them accessible to the public. Open Library hosts millions of books, including both public domain works and contemporary titles. It also allows users to borrow digital copies of certain books for a limited period, similar to a library lending system. Additionally, many universities and educational institutions have their own digital libraries that provide free access to PDF books and manuals. These libraries often offer academic texts, research papers, and technical manuals, making them invaluable resources for students and researchers. Some notable examples include MIT OpenCourseWare, which offers free access to course materials from the Massachusetts Institute of Technology, and the Digital Public Library of America, which provides a vast collection of digitized books and historical documents. In conclusion, Goodman Furnace Gms8 Repair Manual books and manuals for download have transformed the way we access information. They provide a cost-effective and convenient means of acquiring knowledge, offering the ability to access a vast library of resources at our fingertips. With platforms like Project Gutenberg, Open Library, and various digital libraries offered by educational institutions, we have access to an ever-expanding collection of books and manuals. Whether for educational, professional, or personal purposes, these digital resources serve as valuable tools for continuous learning and self-improvement. So why not take advantage of the vast world of Goodman Furnace Gms8 Repair Manual books and manuals for download and embark on your journey of knowledge?

FAQs About Goodman Furnace Gms8 Repair Manual Books

1. Where can I buy Goodman Furnace Gms8 Repair Manual books? Bookstores: Physical bookstores like Barnes & Noble, Waterstones, and independent local stores. Online Retailers: Amazon, Book Depository, and various online bookstores offer a wide range of books in physical and digital formats.
2. What are the different book formats available? Hardcover: Sturdy and durable, usually more expensive. Paperback: Cheaper, lighter, and more portable than hardcovers. E-books: Digital books available for e-readers like Kindle or software like Apple Books, Kindle, and Google Play Books.
3. How do I choose a Goodman Furnace Gms8 Repair Manual book to read? Genres: Consider the genre you enjoy (fiction, non-fiction, mystery, sci-fi, etc.). Recommendations: Ask friends, join book clubs, or explore online reviews and recommendations. Author: If you like a particular author, you might enjoy more of their work.
4. How do I take care of Goodman Furnace Gms8 Repair Manual books? Storage: Keep them away from direct sunlight and in a dry environment. Handling: Avoid folding pages, use bookmarks, and handle them with clean hands. Cleaning:

- Gently dust the covers and pages occasionally.
5. Can I borrow books without buying them? Public Libraries: Local libraries offer a wide range of books for borrowing. Book Swaps: Community book exchanges or online platforms where people exchange books.
 6. How can I track my reading progress or manage my book collection? Book Tracking Apps: Goodreads, LibraryThing, and Book Catalogue are popular apps for tracking your reading progress and managing book collections. Spreadsheets: You can create your own spreadsheet to track books read, ratings, and other details.
 7. What are Goodman Furnace Gms8 Repair Manual audiobooks, and where can I find them? Audiobooks: Audio recordings of books, perfect for listening while commuting or multitasking. Platforms: Audible, LibriVox, and Google Play Books offer a wide selection of audiobooks.
 8. How do I support authors or the book industry? Buy Books: Purchase books from authors or independent bookstores. Reviews: Leave reviews on platforms like Goodreads or Amazon. Promotion: Share your favorite books on social media or recommend them to friends.
 9. Are there book clubs or reading communities I can join? Local Clubs: Check for local book clubs in libraries or community centers. Online Communities: Platforms like Goodreads have virtual book clubs and discussion groups.
 10. Can I read Goodman Furnace Gms8 Repair Manual books for free? Public Domain Books: Many classic books are available for free as they're in the public domain. Free E-books: Some websites offer free e-books legally, like Project Gutenberg or Open Library.

Find Goodman Furnace Gms8 Repair Manual :

glitter unicorns stickers

glacial analysis an interactive introduction

glencoe literature the readers choice course 6 grade 11 american literature

glaucus or the wonders of the shore

glab stained and decorative

gli uomini del disonore

glimpses of human rights

glencoe writers choice-grammar and composition vocabulary and spelling strategies & practice grade 10

glimpses of heaven reflections on your eternal hope

glimpse of china's rural reform

glasgow the forming of the city

glencoe science level green chapter resources-chapter 20

glencoe vocabulary maker for the american vision

glitz 1st edition

glenn ligon stranger

Goodman Furnace Gms8 Repair Manual :

a manual of paediatric dentistry 4th edition amazon com - Aug 19 2023

web apr 28 1998 a manual of paediatric dentistry 4th edition 1st edition this new edition of the leading uk textbook on paediatric dentistry is designed to be a practical clinical guide to the dental treatment of children concentrating on the approach to the patient and actual techniques rather than on theoretical aspects

treatment planning in paediatric dentistry a structured approach - Dec 11 2022

web may 1 2020 reference manual of pediatric dentistry 2019 p 220 224 3 van meurs p key features the 15 structured chapters present the latest trends in paediatric dentistry

handbook of pediatric dentistry 5th edition bdj - May 16 2023

web feb 28 2022 suitable for students and practitioners alike the handbook of paediatric dentistry is a concise practical and highly illustrated guide to the day to day management of child dental patients

handbook of clinical techniques in pediatric dentistry - Nov 10 2022

web jul 16 2021 about this book handbook of clinical techniques in pediatric dentistry the second edition of the handbook of clinical techniques in pediatric dentistry features updated and expanded information on pediatric clinical dentistry including eight new chapters written by educators with special interest in each topic

a manual of paediatric dentistry 1st edition - Sep 20 2023

web apr 14 1998 this new edition of the leading uk textbook on paediatric dentistry is designed to be a practical clinical guide to the dental treatment of children concentrating on the approach to the patient and actual techniques rather than on theoretical aspects

a manual of paediatric dentistry 1st edition - Mar 14 2023

web dec 30 1996 this new edition of the leading uk textbook on paediatric dentistry is designed to be a practical clinical guide to the dental treatment of children concentrating on the approach to the patient and actual techniques rather than on theoretical aspects

a practical manual of pediatric dentistry google books - Jun 05 2022

web dec 27 2019 proress publishing dec 27 2019 medical 570 pages diagnosis is not the end but the beginning of practice martin h fischer pediatric dentistry is a continuous evolving field like any other fields of dentistry

a manual of paedodontics r j andlaw w p rock google - Apr 03 2022

web revised and updated this practical manual of clinical techniques in paediatric dentistry reflects new ideas and developments and contains references to recent research throughout the text it should be of interest to both undergraduate and postgraduate trainees

a manual of paediatric dentistry 4th edition pdf free download - Aug 07 2022

web download a manual of paediatric dentistry 4th edition pdf free overview a manual of paediatric dentistry 4th edition pdf is one of the best book for quick review it is very good book to study a a day before your exam it can also cover your viva questions and will help you to score very high designed to be a practical clinical guide to the

[a manual of paediatric dentistry semantic scholar](#) - Jan 12 2023

web apr 28 1998 a manual of paediatric dentistry treatment of periodontal disease prevention of trauma to teeth and antibiotic prophylaxis of infective endocarditis before tooth extraction scaling orperiodontal surgery

[a manual of paediatric dentistry 9780443053726 us elsevier](#) - Oct 21 2023

web description this new edition of the leading uk textbook on paediatric dentistry is designed to be a practical clinical guide to the dental treatment of children concentrating on the approach to the patient and actual techniques rather than on theoretical aspects

a manual of paediatric dentistry 4th edition pdf - Sep 08 2022

web description a manual of paediatric dentistry 4th edition pdf designed to be a practical clinical guide to the dental treatment of children concentrating on the approach to the patient and actual techniques rather than on theoretical aspects

aapd pediatric dentistry journal - May 04 2022

web the journal promotes the practice education and research specifically related to the specialty of pediatric dentistry this peer reviewed journal features scientific articles case reports and abstracts of current pediatric dental research instructions to authors submit a manuscript missing issues

[a manual of paediatric dentistry 4th edition dentalbooks org](#) - Apr 15 2023

web one of the largest libraries of free dental books journals and videos a manual of paediatric dentistry 4th edition designed to be a practical clinical guide to the dental treatment of children concentrating on the approach to the

[paediatric dentistry unit](#) - Jul 06 2022

web paediatric dentistry is the specialty that provides comprehensive oral health care for children from birth to adolescence paediatric dentists undergo 3 years post graduate specialty training to equip them with skills and knowledge to manage the

dental needs of children in relation to prevention treatment behavioural management and development

[a manual of paediatric dentistry amazon com au](#) - Mar 02 2022

web this new edition of the leading uk textbook on paediatric dentistry is designed to be a practical clinical guide to the dental treatment of children concentrating on the approach to the patient and actual techniques rather than on theoretical aspects

[aapd home](#) - Jun 17 2023

web latest from aapd join us in toronto for aapd 2024 explore the forefront of pediatric dentistry at our annual session may 23 26 in toronto ca join industry leaders engage in cutting edge discussions and elevate your practice learn more

a manual of paediatric dentistry google books - Jul 18 2023

web a manual of paediatric dentistry r j andlaw w p rock churchill livingstone 1996 medical 249 pages designed to be a practical clinical guide to the dental treatment of children

handbook of pediatric dentistry sciencedirect - Feb 13 2023

web suitable for students and practitioners alike the handbook of paediatric dentistry is a concise practical and highly illustrated guide to the day to day management of child dental patients

paediatric dentistry for the general dental practitioner - Oct 09 2022

web ebook isbn 978 3 030 66372 8 published 14 june 2021 series issn 2523 3327 series e issn 2523 3335 edition number 1 number of pages vi 330 number of illustrations 13 b w illustrations 200 illustrations in colour topics dentistry pediatrics back to top this book is an evidence based practical guide to the management of children and

examination for dentists applying for full pdf - Mar 13 2022

web examination procedures in the national preventive dentistry demonstration program standards of physical examination governing the entrance to all branches of the armies of the united states mosby s review for the nbde part i e book

[examination for dentists applying for full secure4 khronos](#) - Apr 13 2022

web jun 19 2023 examination for dentists applying for full pdf free download here examination for dentists applying for full registration in the register of dentists under the dental professions dental specialist acceptance of exam full american board information about applying for licensure are available on the department s dentists who are

[examination for dentists applying for full 2023](#) - Oct 20 2022

web examination for dentists applying for full the ultimate dental school application guide aug 14 2023 feeling nervous at the prospect of applying to dental school is only natural you can t help and wonder what awaits you on the path of becoming a dental student this is a seemingly lengthy process with a lot of hard work along the

licensure overview american dental association ada - Mar 25 2023

web licensure overview american dental association licensure licensure for international dentists dental licensure every dentist must go through the licensure process at least once during their professional life find out how to obtain your license the 3

examination for dentists applying for full 2023 ai classmonitor - Aug 30 2023

web mosby s dental assisting exam review clinical guide for overseas dental examination uk europe australia includes practice test questions secrets of the infection

dental admission test dat american dental association - Dec 22 2022

web dat tutorial the dat tutorial is an online sample test you can take it at any time prepare with dat practice tests and updated biology test specifications the dat program offers practice tests with questions written by actual dat test constructors

examination for dentists applying for full registration in the - Jul 29 2023

web examination for dentists applying for full registration in the register of dentists under the provisions of section 27 2 d of the dentists act 1985 1 section 27 2 of the dentists act 1985 provides for the admission to full registration in the register

studying dentistry in turkey conditions costs and best - May 27 2023

web dec 29 2022 benefits of studying dentistry in turkey today dental education in turkey has attracted the attention of many students and the powers of medical certificates issued by turkish universities at the international level can be one of the most important reasons advertisement

dental admission tests and exams american dental association - Apr 25 2023

web student resources ada library archives the ada library archives provides research assistance as well as access to dental and oral health resources including various databases e journals e books and more visit now

examination for dentists applying for full secure4 khronos - May 15 2022

web jun 25 2023 examination for dentists applying for full examination for dentists applying for full you can get it while function pomposity at abode and even in your work environment if you want to hilarious stories lots of literature tale comedy and more fictions collections are also launched from best seller to one of the most current debuted

effective steps to apply for dha exam for dentists - Sep 18 2022

web oct 5 2023 the dubai health authority dha regulates and licenses healthcare professionals in dubai such as dentists if you want to practice dentistry here one requirement for practicing is passing the dha examination

examination for dentists applying for full - Jul 17 2022

web sep 25 2023 april 30th 2018 application for dentists licensed in dentist license application by examination required statement of citizenship or alien status for all license applications 26 medical examination for an australian visa

school of dentistry medipol university - Jun 27 2023

web jul 31 2023 faculty of dentistry 2022 2023 academic year spring term three course exam application 15 august 2023

examination details dental council of ireland - Sep 30 2023

web the involvement of representatives from each of the dental schools in the design delivery and management of the examination maintains the direct linkage between the standards underpinning the examination and the standards expect of dental graduates in ireland

bachelor s degrees in dentistry in turkey bachelorsportal com - Jan 23 2023

web dentistry degrees dentistry degrees cover an important branch of medical studies dealing with all aspects of oral health in addition to general dentistry dental surgery and implantology are popular focus areas of these degrees dentistry schools prepare future dentists to diagnose and treat patients tooth problems while inflicting minimal

best dentist in istanbul prices for dental implants and other - Jun 15 2022

web aug 9 2023 the table below gives an idea of typical prices for a dentist in istanbul procedure approx istanbul dentist price single tooth implant 600 1100 all on 4 implants from 5 000 per jaw sinus lift 300 700

examination for dentists applying for full pdf ncf ec2 west - Feb 09 2022

web examination for dentists applying for full 1 examination for dentists applying for full dental digest dental ultrasound in periodontology and implantology mosby s review for the nbde part i e book clinical guide for overseas dental examination uk europe australia secrets of the infection control exam study guide british journal of dental

bau international - Feb 21 2023

web students who successfully complete the first two years of the dentistry education program are given the title of degree in basic dentistry and the students who complete the five year faculty of dentistry are given the title of graduate diploma in dentistry

dentistry exhibitions in istanbul 2023 2024 expotobi - Aug 18 2022

web dentistry exhibitions in istanbul full and accurate description of dentistry events schedule tickets accommodation uae international dental conference arab dental exhibition 2024 06 02 2024 08 02 2024 united arab emirates dubai international dental show 2025 25 03 2025 29 03 2025

dentist professional qualifications requirements nhra - Nov 20 2022

web training curriculum entry level examination defined program competency competency based assessment hands on training and progression of responsibility final certifying exam independence to practice requirement to maintain dentists based on

c muthu programming with java pdf 2nd edison blogger - Sep 22 2023

web mar 28 2021 c muthu programming with java c muthu programming with java vijay nicole imprints private limited 2nd ed chennai 2011 bharathidasan university java study material

programming in java by c muthu pdf cyberlab sutd edu sg - Dec 13 2022

web programming languages c overtakes php but javascript python and java still rule zdnet this ai paper explains how programming languages can enhance each other through instruction tuning marktechpost aug 05 2023

difference between java and c language geeksforgeeks - Jun 07 2022

web feb 21 2023 java was developed by james gosling in 1995 c is a procedural programming language java is object oriented language c is more procedure oriented java is more data oriented c is a middle level language because binding of the gaps takes place between machine level language and high level languages java is a high level

code in java execute as c towards data science - Mar 04 2022

web mar 2 2020 java and c remain two of the most popular programming languages the two languages have different designs and characteristics depending on the problem one might work better than the other however at some point we need to integrate these languages e g calling a method written in java to your c code

c and c for java programmers cprogramming com - May 06 2022

web with c or c you ll learn about a powerful high performance lanugage that provides you with direct access to memory and native libraries without jni java c and c have a pretty similar syntax for basic concepts

download solutions programming in java c muthu - Jun 19 2023

web you can learn to program in java using this book inside contents chapters 1 overview of java 2 java language 3 control statements 4 scanner class arrays command line args 5 class objects in java 6 inheritance in java 7 object oriented programming 8 packages in java 9 interface

programming in java c muthu copy cyberlab sutd edu sg - Apr 17 2023

web programming with java is designed to help the reader understand the concepts of java programming language it includes an exhaustive coverage of additional appendices on keywords operators and supplementary programs

programming in java by c muthu vdocuments mx - Oct 23 2023

web apr 14 2018 cs6t2 java programming c muthu programming with java b sc computer science nmc ac in department comscience syl bsc programming 20in 20java pdf the students to learn the concepts syntax methodology of programming in java

download solutions programming in java by c muthu - Nov 12 2022

web for courses in computer programming in java starting out with java from control structures through objects provides a step by step introduction to programming in java gaddis covers procedural programming control structures and methods

before introducing object oriented programming

programming in java by c muthu 2023 cyberlab sutd edu sg - Mar 16 2023

web learn the fundamentals of java 2 programming from renowned java genius herb schildt discover why java is the preeminent language of the internet how to use object oriented programming and how to

the 7 best programming languages to learn for beginners - Apr 05 2022

web sep 1 2023 ruby ruby s success is resultant of its learnability this language is similar to the english language and works in complex and intricate ways ruby is an open source object oriented

programming in java by c muthu copy data northitalia - Jul 08 2022

web the technical core of epi is a sequence of chapters on basic and advanced data structures searching sorting broad algorithmic principles concurrency and system design each chapter consists of a brief review followed by a broad

programming with java english paperback muthu c flipkart - May 18 2023

web programming with java english paperback muthu c share programming with java english paperback muthu c 4 4 14

ratings 4 reviews 517 525 1 off i available offers bank offer10 instant discount on sbi credit card txns up to 1500 on orders of 5 000 and above t c

programming with java paperback 1 january 2008 amazon in - Jul 20 2023

web designed in a style that is simple comprehensive and user friendly this book provides complete coverage of all important topics in java programming a significant highlight of the book is numerous programming problems as examples and for practice

9788182091993 programming with java c muthu correct - Aug 09 2022

web programming with java new book isbn 9788182091993 vijay nicole imprints pvt ltd papeback new pp 416 2nd edition

vijay nicole imprints pvt ltd 6 shipping costs eur 3 71 cold books 3 order

programming with java c muthu 9788182091993 abebooks - Aug 21 2023

web designed in a style that is simple comprehensive and user friendly this book provides complete coverage of all important topics in java programming a significant highlight of the book is numerous programming problems as examples and for practice

essential of java programming by c muthu 2ndbuys - Jan 14 2023

web the book details all the fundamental features of java control structures methods arrays classes inheritance interfaces applets and exception handling it presents most required topics fully and is designed as per the syllabi laid down by various universities

programming in java c muthu ai classmonitor - Sep 10 2022

web programming in java c muthu requirements engineering for service and cloud computing programming visual basic net think data structures introduction to programming using java geographic information systems concepts methodologies tools and applications essentials of java programming object oriented

[programming with java by c muthu at lsnet in](#) - Feb 15 2023

web purchase programming with java by c muthu online buy isbn 9788182091993 at 24 discount by tata mcgraw hill education private limited quick delivery justified pricing only at lsnet in

[programming in java c muthu orientation sutd edu sg](#) - Oct 11 2022

web june 24th 2018 easy to learn follows object oriented programming concepts code is similar to c and c pointers concept is avoided in java due to security purposes pointer points out the content at particular location in memory so with the help of pointer we can hack the memory and we will do whatever we want that is the reason in java pointer concept is