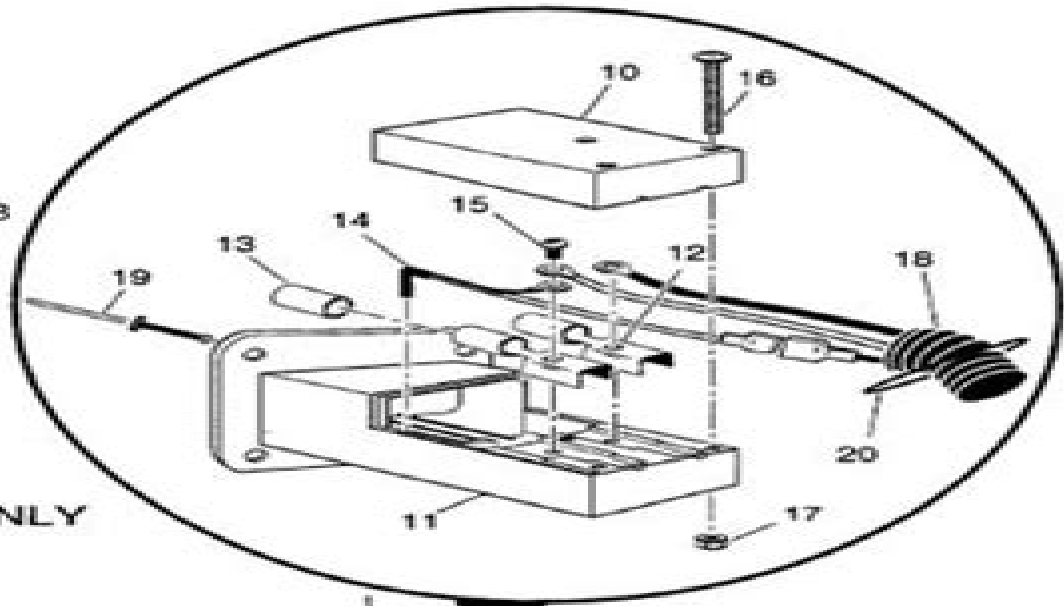
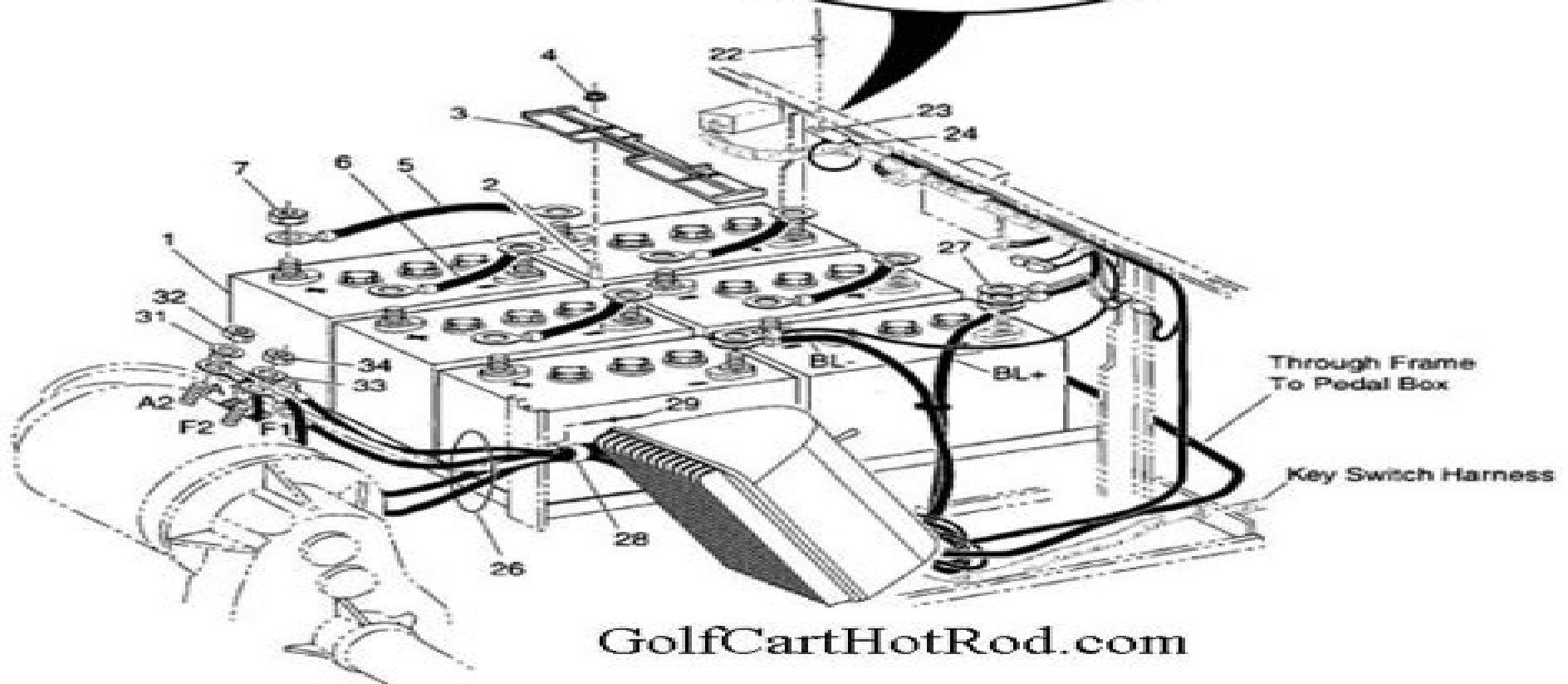


9 - Includes Items 10 - 18



PDS VEHICLES ONLY



Golf Cart Model Pds Owners Manual

Peipei Pang



Golf Cart Model Pds Owners Manual:

So You Bought a Golf Cart?: An Owner's Guide for Learning about Golf Carts Michael K. Rosenbarker, 2015-02-02 More than fifteen thousand golf cart injuries send people to the emergency room each year more than half of them involving children under the age of sixteen Michael K Rosenbarker who sells and rents golf carts for a living walks you through step by step how to stay safe in your golf cart but that s just one topic he explores He also helps you maintain electric and gasoline powered golf carts properly wash and clean your golf cart decide on the right seating options and accessories discover industry secrets of making your golf cart batteries last If you ve only recently bought a golf cart or even if you ve had one for years but still have questions about operating and maintaining it then this book is for you With real life examples diagrams and pictures it will help you avoid costly repairs or worse Get the insights and tips that will leave you feeling safe and confident as you enjoy your golf cart more than ever *Security Owner's Stock Guide* Standard and Poor's

Corporation, 2001 Monthly statistical summary of 5100 stocks *Mergent OTC Unlisted Manual*, 2003 *Catalog of Copyright Entries. Third Series* Library of Congress. Copyright Office, 1976 **AERO TRADER & CHOPPERS SHOPPER, MARCH 2007** Causey Enterprises, LLC, **Popular Science**, 2002-12 Popular Science gives our readers the information and tools to improve their technology and their world The core belief that Popular Science and our readers share The future is going to be better and science and technology are the driving forces that will help make it better *Autocar*, 2003

Popular Mechanics, 1977-06 Popular Mechanics inspires instructs and influences readers to help them master the modern world Whether it s practical DIY home improvement tips gadgets and digital technology information on the newest cars or the latest breakthroughs in science PM is the ultimate guide to our high tech lifestyle *Field & Stream*, 1970-04 FIELD STREAM America s largest outdoor sports magazine celebrates the outdoor experience with great stories compelling photography and sound advice while honoring the traditions hunters and fishermen have passed down for generations

The Horn Book Guide to Children's and Young Adult Books, 1999 **Autocar & Motor**, 1994-04 *Field & Stream*, 1969-11 FIELD STREAM America s largest outdoor sports magazine celebrates the outdoor experience with great stories compelling photography and sound advice while honoring the traditions hunters and fishermen have passed down for generations *Books and Pamphlets, Including Serials and Contributions to Periodicals* Library of Congress. Copyright Office, 1975 *Japan Electric Industry*, 1962 **Moody's OTC Unlisted Manual**, 1997 **Popular Science**, 1966-07 Popular Science gives our readers the information and tools to improve their technology and their world The core belief that Popular Science and our readers share The future is going to be better and science and technology are the driving forces that will help make it better **Farmers and Consumers Market Bulletin**, 2007 **American Aeronaut**, 1963 *Editor & Publisher International Year Book*, 2001 The encyclopedia of the newspaper industry *Mental Health Concepts and Techniques for the Occupational Therapy Assistant* Mary Beth Early, 1993 A textbook for the student of occupational therapy

providing the basic foundation for dealing with patients who have mental health problems Assumes previous courses in human growth and development group process and crafts and other popular occupational therapy activities The date of the first edition is not noted Annotation copyright by Book News Inc Portland OR

Getting the books **Golf Cart Model Pds Owners Manual** now is not type of inspiring means. You could not deserted going subsequent to books increase or library or borrowing from your friends to approach them. This is an categorically simple means to specifically acquire guide by on-line. This online broadcast Golf Cart Model Pds Owners Manual can be one of the options to accompany you next having additional time.

It will not waste your time. undertake me, the e-book will enormously melody you extra situation to read. Just invest little era to approach this on-line declaration **Golf Cart Model Pds Owners Manual** as capably as evaluation them wherever you are now.

https://staging.conocer.cide.edu/About/uploaded-files/Download_PDFS/manual%20citroen%20berlingo%20xtr%20plus.pdf

Table of Contents Golf Cart Model Pds Owners Manual

1. Understanding the eBook Golf Cart Model Pds Owners Manual
 - The Rise of Digital Reading Golf Cart Model Pds Owners Manual
 - Advantages of eBooks Over Traditional Books
2. Identifying Golf Cart Model Pds Owners Manual
 - Exploring Different Genres
 - Considering Fiction vs. Non-Fiction
 - Determining Your Reading Goals
3. Choosing the Right eBook Platform
 - Popular eBook Platforms
 - Features to Look for in an Golf Cart Model Pds Owners Manual
 - User-Friendly Interface
4. Exploring eBook Recommendations from Golf Cart Model Pds Owners Manual
 - Personalized Recommendations
 - Golf Cart Model Pds Owners Manual User Reviews and Ratings
 - Golf Cart Model Pds Owners Manual and Bestseller Lists

5. Accessing Golf Cart Model Pds Owners Manual Free and Paid eBooks
 - Golf Cart Model Pds Owners Manual Public Domain eBooks
 - Golf Cart Model Pds Owners Manual eBook Subscription Services
 - Golf Cart Model Pds Owners Manual Budget-Friendly Options
6. Navigating Golf Cart Model Pds Owners Manual eBook Formats
 - ePub, PDF, MOBI, and More
 - Golf Cart Model Pds Owners Manual Compatibility with Devices
 - Golf Cart Model Pds Owners Manual Enhanced eBook Features
7. Enhancing Your Reading Experience
 - Adjustable Fonts and Text Sizes of Golf Cart Model Pds Owners Manual
 - Highlighting and Note-Taking Golf Cart Model Pds Owners Manual
 - Interactive Elements Golf Cart Model Pds Owners Manual
8. Staying Engaged with Golf Cart Model Pds Owners Manual
 - Joining Online Reading Communities
 - Participating in Virtual Book Clubs
 - Following Authors and Publishers Golf Cart Model Pds Owners Manual
9. Balancing eBooks and Physical Books Golf Cart Model Pds Owners Manual
 - Benefits of a Digital Library
 - Creating a Diverse Reading Collection Golf Cart Model Pds Owners Manual
10. Overcoming Reading Challenges
 - Dealing with Digital Eye Strain
 - Minimizing Distractions
 - Managing Screen Time
11. Cultivating a Reading Routine Golf Cart Model Pds Owners Manual
 - Setting Reading Goals Golf Cart Model Pds Owners Manual
 - Carving Out Dedicated Reading Time
12. Sourcing Reliable Information of Golf Cart Model Pds Owners Manual
 - Fact-Checking eBook Content of Golf Cart Model Pds Owners Manual
 - Distinguishing Credible Sources
13. Promoting Lifelong Learning

- Utilizing eBooks for Skill Development
 - Exploring Educational eBooks
14. Embracing eBook Trends
- Integration of Multimedia Elements
 - Interactive and Gamified eBooks

Golf Cart Model Pds Owners Manual Introduction

Golf Cart Model Pds Owners Manual Offers over 60,000 free eBooks, including many classics that are in the public domain. Open Library: Provides access to over 1 million free eBooks, including classic literature and contemporary works. Golf Cart Model Pds Owners Manual Offers a vast collection of books, some of which are available for free as PDF downloads, particularly older books in the public domain. Golf Cart Model Pds Owners Manual : This website hosts a vast collection of scientific articles, books, and textbooks. While it operates in a legal gray area due to copyright issues, its a popular resource for finding various publications. Internet Archive for Golf Cart Model Pds Owners Manual : Has an extensive collection of digital content, including books, articles, videos, and more. It has a massive library of free downloadable books. Free-eBooks Golf Cart Model Pds Owners Manual Offers a diverse range of free eBooks across various genres. Golf Cart Model Pds Owners Manual Focuses mainly on educational books, textbooks, and business books. It offers free PDF downloads for educational purposes. Golf Cart Model Pds Owners Manual Provides a large selection of free eBooks in different genres, which are available for download in various formats, including PDF. Finding specific Golf Cart Model Pds Owners Manual, especially related to Golf Cart Model Pds Owners Manual, might be challenging as theyre often artistic creations rather than practical blueprints. However, you can explore the following steps to search for or create your own Online Searches: Look for websites, forums, or blogs dedicated to Golf Cart Model Pds Owners Manual, Sometimes enthusiasts share their designs or concepts in PDF format. Books and Magazines Some Golf Cart Model Pds Owners Manual books or magazines might include. Look for these in online stores or libraries. Remember that while Golf Cart Model Pds Owners Manual, sharing copyrighted material without permission is not legal. Always ensure youre either creating your own or obtaining them from legitimate sources that allow sharing and downloading. Library Check if your local library offers eBook lending services. Many libraries have digital catalogs where you can borrow Golf Cart Model Pds Owners Manual eBooks for free, including popular titles. Online Retailers: Websites like Amazon, Google Books, or Apple Books often sell eBooks. Sometimes, authors or publishers offer promotions or free periods for certain books. Authors Website Occasionally, authors provide excerpts or short stories for free on their websites. While this might not be the Golf Cart Model Pds Owners Manual full book , it can give you a taste of the authors writing style. Subscription Services Platforms like Kindle Unlimited or Scribd offer subscription-based

access to a wide range of Golf Cart Model Pds Owners Manual eBooks, including some popular titles.

FAQs About Golf Cart Model Pds Owners Manual Books

What is a Golf Cart Model Pds Owners Manual PDF? A PDF (Portable Document Format) is a file format developed by Adobe that preserves the layout and formatting of a document, regardless of the software, hardware, or operating system used to view or print it. **How do I create a Golf Cart Model Pds Owners Manual PDF?** There are several ways to create a PDF: Use software like Adobe Acrobat, Microsoft Word, or Google Docs, which often have built-in PDF creation tools. Print to PDF: Many applications and operating systems have a "Print to PDF" option that allows you to save a document as a PDF file instead of printing it on paper. Online converters: There are various online tools that can convert different file types to PDF. **How do I edit a Golf Cart Model Pds Owners Manual PDF?** Editing a PDF can be done with software like Adobe Acrobat, which allows direct editing of text, images, and other elements within the PDF. Some free tools, like PDFescape or Smallpdf, also offer basic editing capabilities. **How do I convert a Golf Cart Model Pds Owners Manual PDF to another file format?** There are multiple ways to convert a PDF to another format: Use online converters like Smallpdf, Zamzar, or Adobe Acrobats export feature to convert PDFs to formats like Word, Excel, JPEG, etc. Software like Adobe Acrobat, Microsoft Word, or other PDF editors may have options to export or save PDFs in different formats. **How do I password-protect a Golf Cart Model Pds Owners Manual PDF?** Most PDF editing software allows you to add password protection. In Adobe Acrobat, for instance, you can go to "File" -> "Properties" -> "Security" to set a password to restrict access or editing capabilities. Are there any free alternatives to Adobe Acrobat for working with PDFs? Yes, there are many free alternatives for working with PDFs, such as: LibreOffice: Offers PDF editing features. PDFsam: Allows splitting, merging, and editing PDFs. Foxit Reader: Provides basic PDF viewing and editing capabilities. How do I compress a PDF file? You can use online tools like Smallpdf, ILovePDF, or desktop software like Adobe Acrobat to compress PDF files without significant quality loss. Compression reduces the file size, making it easier to share and download. Can I fill out forms in a PDF file? Yes, most PDF viewers/editors like Adobe Acrobat, Preview (on Mac), or various online tools allow you to fill out forms in PDF files by selecting text fields and entering information. Are there any restrictions when working with PDFs? Some PDFs might have restrictions set by their creator, such as password protection, editing restrictions, or print restrictions. Breaking these restrictions might require specific software or tools, which may or may not be legal depending on the circumstances and local laws.

Find Golf Cart Model Pds Owners Manual :

manual citroen berlingo xtr plus

manual camara de sony handycam

manual battery selection test

manual chevrolet agile

manual caterpillar c280

manual bsa b32

manual coafor stylist

manual citizen eco drive nighthawk

manual autocad 2013 portugues

manual canon eos 300d espanol

manual atlas copco ga 11 ff manual

~~manual cavalier 94~~

manual apple juicer machine

manual and material handling

manual caddy maxi

Golf Cart Model Pds Owners Manual :

u4 dalton playhouse revised 2 finihsed docx course hero - Feb 12 2023

1 did the mass of the calx in the flask change upon heated a no b yes it increased c yes it decreased c yes it decreased the greater the phlogiston concentration of a material the less residue it left after burning

daltons playhouse worksheet answers fill and sign printable - Oct 08 2022

the best editor is directly close at hand offering you a measuring of advantageous instruments for submitted a daltons playhouse worksheet answers these guidelines along with the editor will guide you with to whole process

dalton s playhouse unit 4 notes docx name zachary daniel - Sep 07 2022

answer the questions on the website and keep track of your responses on this notes sheet part 1 priestley calyx 100g 200g 216 59g mass of each product 7 39g 92 61g 14 78g 185 22g 16 0g 200 59g volume of gas 5 171l 10 34l 11 21l 1

unit4notes daltonspayhouse part3 youtube - Aug 06 2022

part 3 of the virtual laboratory for unit 4 notes on dalton s playhouse web visionlearning com dalton playhouse ad loader html

date pd chemistry unit 4 notes montgomery township - Dec 10 2022

dalton s playhouse in the late 18 century joseph priestly antoine lavoisier and others performed some answer the questions on the website and keep track of your responses on this notes sheet part 1 riestley p calx 100g 200g 216 59g mass of each product volume of gas

daltons playhouse key worksheets k12 workbook - Jan 11 2023

daltons playhouse key displaying all worksheets related to daltons playhouse key worksheets are modeling chemistry dalton playhouse notes answers mole concepts work and molar mass and key modeling chemistry unit 4 review answers as the stomach churns answer key modeling chemistry unit 4 describing substances answers modeling chemistry

unit4notes daltonspalyhouse part1 youtube - Nov 09 2022

0 00 7 39 unit4notes daltonspalyhouse part1 anthony tedaldi 670 subscribers subscribe 15 share 2 2k views 5 years ago

honors chemistry a walk through of part 1 the virtual laboratory for unit 4

dalton playhouse completed docx google docs - Sep 19 2023

the simulation at the website web visionlearning com dalton playhouse ad loader html will allow you to replicate some of the key experiments these scientists performed answer the

daltons playhouse worksheet answers fill and sign printable - Jul 05 2022

completes daltons playhouse worksheet answers online with us legal forms easily fill away pdf empty edit and sign them save or instantly weitergeben your ready paper

get the free dalton s playhouse answer key form pdffiller - May 15 2023

the answer key for dalton s playhouse can be filled out by following the instructions provided in the game generally players are required to match the characters in the game to the letters provided on the answer key players can also use the

dalton s playhouse google docs pdf course hero - Jun 16 2023

dalton s playhouse in the late 18th century joseph priestly antoine lavoisier and others performed some critical experiments that helped dalton develop his theories on the atomic model of matter the simulation at the website will allow you to replicate some of the key experiments these scientists performed

get daltons playhouse worksheet answers us legal forms - Jun 04 2022

complete daltons playhouse worksheet answers online with us legal forms easily fill out pdf blank edit and sign them save or instantly send your ready documents

daltons playhouse worksheet answers fill and sign printable - May 03 2022

complete daltons playhouse sheet answers online with use legally forms easily fill out pdf blank editing and sign them save press instantly send your ready document

dalton s playhouse visionlearning - Aug 18 2023

dalton s playhouse next congratulations hopefully conducting the same experiments as priestley lavoisier and others has helped you understand how john dalton came up with his theory of matter matter is composed of tiny particles called atoms atoms of a given element are the same atoms of different elements differ

dalton 039 s playhouse answer key form signnow - Apr 14 2023

chemistry unit 4 notes dalton s playhouse worksheet answers check out how easy it is to complete and esign documents online using fillable templates and a powerful editor get everything done in minutes

[daltons playhouse key worksheets teacher worksheets](#) - Mar 13 2023

daltons playhouse key showing top 8 worksheets in the category daltons playhouse key some of the worksheets displayed are modeling chemistry dalton playhouse notes answers mole concepts work and molar mass and key modeling chemistry unit 4 review answers as the stomach churns answer key modeling chemistry unit 4 describing substances

dalton s playhouse answer key form fill out and sign - Jan 31 2022

dalton 039 s playhouse answer keyboard form use a dalton s playhouse answer key template to perform choose view workflow more streamlined

chemistry dalton s playhouse test flashcards quizlet - Jul 17 2023

chemistry dalton s playhouse test flashcards learn test match created by izzyplanchet34 terms in this set 5 dalton s atomic theory all matter is composed of indivisible particles called atoms all atoms of a given element are identical atoms of

daltons playhouse worksheets k12 workbook - Apr 02 2022

showing 8 worksheets for daltons playhouse worksheets are daltons playhouse answers daltons playhouse answers modeling chemistry dalton playhouse n

[daltons playhouse answers book](#) - Mar 01 2022

to look guide daltons playhouse answers as you such as by searching the title publisher or authors of guide you essentially want you can discover them rapidly in the house workplace or perhaps in your method can be all best area within net connections if you object to download and install the daltons playhouse answers it is certainly

[when is man utd v brighton radio times](#) - Jun 20 2021

web susan douglas explores how listening has altered our day to day experiences and our own generational identities cultivating different modes of listening in different eras how

[listening in radio and the american imagination google books](#) - Mar 10 2023

web nov 30 2013 listening in radio and the american imagination from amos n andy and edward r murrow to wolfman jack and howard stern user review kirkus an

listening in radio and the american imagination goodreads - Apr 11 2023

web listening in radio and the american imagination susan jeanne douglas university of minnesota press 2004 history 415 pages few inventions evoke such nostalgia such

listening in radio and the american imagination amazon ca - Jul 02 2022

web aug 1 2000 book review listening in radio and the american imagination tim crook international journal of cultural studies 2000 3 2 300 301 share share social

listening in radio and the american imagination google books - Feb 09 2023

web listening in radio and the american imagination from amos n andy and edward r murrow to wolfman jack and howard stern by susan j douglas new york random

listening in radio and the american imagination from amos ri - Nov 06 2022

web douglas reveals how radio has played a pivotal role in helping us imagine ourselves in invisible communities of sports fans fred allen devotees rock n rollers ham operators

book review listening in radio and the american imagination - Jun 01 2022

web listening in radio and the american imagination from amos n andy and edward r murrow to wolfman jack and howard stern douglas susan j amazon com tr kitap

i imagine he s in the cosmos hearing music floating points on - Sep 23 2021

web sep 11 2023 medical debt nearly pushed this family into homelessness millions more are at risk kayce atencio who had a heart attack when he was 19 was unable to rent an

listening in radio and the american imagination from amos n - Aug 03 2022

web susan douglas explores how listening has altered our day to day experiences and our own generational identities cultivating different modes of listening in different eras how

listening in radio and the american imagination amazon co uk - Sep 04 2022

web request pdf listening in radio and the american imagination from amos n andy and edward r murrow to wolfman jack and howard stern review technology and

listening in university of minnesota press - May 12 2023

web jan 1 1999 interesting cultural history of american radio from the 1920s through the 1990s she does a really nice job of bringing together the experiential aspects how

listening in radio and the american imagination - Aug 15 2023

web nov 30 2013 listening in radio and the american imagination from amos n andy and edward r murrow to wolfman jack and howard stern user review kirkus an

[listening in radio and the american imagination amazon com](#) - Feb 26 2022

web listening in radio and the american imagination by douglas susan j isbn 10 0816644233 isbn 13 9780816644230 univ of minnesota press 2004 softcover

listening in radio and the american imagination from amos n - Apr 30 2022

web nov 30 2013 listening in radio and the american imagination 434 add to wishlist listening in radio and the american imagination 434 by susan j douglas ebook

[listening in radio and the american imagination amazon co uk](#) - May 20 2021

listening in radio and the american imagination ebook - Mar 30 2022

web feb 25 2004 listening in radio and the american imagination kindle edition by douglas susan j download it once and read it on your kindle device pc phones or

[listening in radio and the american imagination](#) - Dec 27 2021

web listening in radio and the american imagination susan j douglas minnesota university press 9780816644230 kitap

listening in radio and the american imagination - Jun 13 2023

web in listening in susan douglas explores how listening has altered our day to day experiences and our own generational identities cultivating different modes of listening

listening in radio and the american imagination google books - Dec 07 2022

web lewis a erenberg listening in radio and the american imagination from amos ri andy and edward r murrow to wolffian jack and howard stern by susan j dou

tech titans elon musk mark zuckerberg and more meet with u s - Jul 22 2021

web 18 hours ago how to watch man utd v brighton in the us you can watch man utd v brighton live on peacock at 10am et most premier league matches will be shown on

listening in radio and the american imagination archive org - Jul 14 2023

web listening in radio and the american imagination from amos n andy and edward r murrow to wolfman jack and howard stern douglas susan jeanne 1950 free

medical debt is putting some americans at risk of homelessness - Aug 23 2021

web 2 days ago a mobile billboard is seen near the u s capitol on tuesday more than 20 tech industry leaders with meet wednesday behind closed doors with u s senators as part of

listening in radio and the american imagination softcover - Jan 28 2022

web university of michigan needs your feedback to better understand how readers are using openly available ebooks you can

help by taking a short privacy friendly survey

[project muse listening in radio and the american](#) - Jan 08 2023

web susan douglas explores how listening has altered our day to day experiences and our own generational identities

cultivating different modes of listening in different eras how

listening in radio and the american imagination reading length - Oct 25 2021

web 22 hours ago i imagine that s where he is shepherd says floating around the cosmos hearing music in all of the sounds

that he hears he ll be sitting in the garden listening to

listening in radio and the american imagination - Nov 25 2021

web listening in is the first in depth history of how radio culture and content have kneaded and expanded the american

psyche but listening in is more than a history it is also a

listening in radio and the american imagination from amos n - Oct 05 2022

web susan douglas explores how listening has altered our day to day experiences and our own generational identities

cultivating different modes of listening in different eras how

paper sculpture fluid forms amazon com - May 31 2023

web oct 26 2021 paper sculpture fluid forms richard sweeney author format paperback 27 99 26 03 available add to cart

add to wishlist description pliable

[paper sculpture fluid forms by richard sweeney booktopia](#) - Nov 24 2022

web richard sweeney is a british artist and designer who has exhibited his extraordinary paper sculptures all over the world

his aim in fluid forms is to show how the basic

paper sculpture fluid forms paperback barnes - Dec 26 2022

web paper sculpture fluid forms richard sweeney published by schiffer 2021 11 28 2021 isbn 10 0764362143 isbn 13

9780764362149 new paperback quantity 4 seller

paper sculpture fluid forms by richard sweeney alibris - Feb 13 2022

paper sculpture schifferbooks - Mar 17 2022

paper sculpture fluid forms sweeney richard amazon sg - Oct 04 2023

web with precise information on the whys behind 3 d paper sculpting and its methods plus hundreds of stunning photos of his

works acclaimed artist and designer richard

paper sculpture fluid forms amazon com - Sep 22 2022

web hardcover 23 90 5 used from 22 85 presents basic principles of form making in paper offering step by step analysis of the techniques the author uses to create his works and

paper sculpture fluid forms paperback 28 nov - Feb 25 2023

web sep 1 2016 richard sweeney is a british artist and designer who has exhibited his extraordinary paper sculptures all over the world his aim in fluid forms is to show

paper sculpture fluid forms paperback oct 26 2021 - Nov 12 2021

paper sculpture fluid forms hardcover 1 september 2016 - Jun 19 2022

web the background detail that fans love with precise information on the whys behind 3 d paper sculpting and its methods plus hundreds of stunning photos of his works

paper sculpture fluid forms art noise - Jan 15 2022

paper sculpture fluid forms by richard sweeney - Apr 29 2023

web oct 26 2021 booktopia has paper sculpture fluid forms by richard sweeney buy a discounted paperback of paper sculpture online from australia s leading online

paper sculpture fluid forms paperback 1 december 2021 - May 19 2022

web aug 4 2023 2 minutes ago download pdf paper sculpture fluid forms acclaimed artist and designer richard sweeney shows how to create stunning 3 d

paper sculpture fluid forms all things paper - Sep 03 2023

web 8 rows richard sweeney schiffer publishing 2021 art 128 pages pliable ephemeral and easily

paper sculpture fluid forms a book by richard sweeney - Jan 27 2023

web jan 10 2022 evoking the spread wings of a bird in flight or a dancer s graceful bends the paper sculptures created by richard sweeney previously convey movement through

paper sculpture fluid forms sweeney richard - Oct 24 2022

web with precise information on the whys behind 3 d paper sculpting and its methods plus hundreds of stunning photos of his works acclaimed artist and designer richard

paper sculpture fluid forms hardcover 1 sept 2016 - Apr 17 2022

web shows how the basic principles of form making in paper can be useful for artists architects and fashion designers follow sweeney s engaging step by step analysis of the

paper sculpture fluid forms harvard book store - Jul 01 2023

web 7 rows richard sweeney is a british artist and designer who has exhibited his extraordinary paper

paper sculpture fluid forms richard sweeney - Jul 21 2022

web buy paper sculpture fluid forms by richard sweeney online at alibris we have new and used copies available in 2 editions starting at 19 79 shop now

paper sculpture fluid forms richard sweeney google books - Aug 02 2023

web richard sweeney is a british artist and designer who has exhibited his extraordinary paper sculptures all over the world his aim in fluid forms is to show how the basic

pdf paper sculpture fluid forms by rebe margono issuu - Dec 14 2021

movement and flow infuse pleated paper sculptures and - Aug 22 2022

web paper sculpture fluid forms richard sweeney now available acclaimed artist and designer richard sweeney shows how to create stunning 3 d paper sculpting forms

paper sculpture fluid forms richard sweeney google books - Mar 29 2023

web paper sculpture fluid forms softcover sweeney richard 4 38 avg rating 8 ratings by goodreads softcover isbn 10 0764362143 isbn 13 9780764362149 publisher schiffer