

GMC Envoy 2002-2009 Workshop Manual

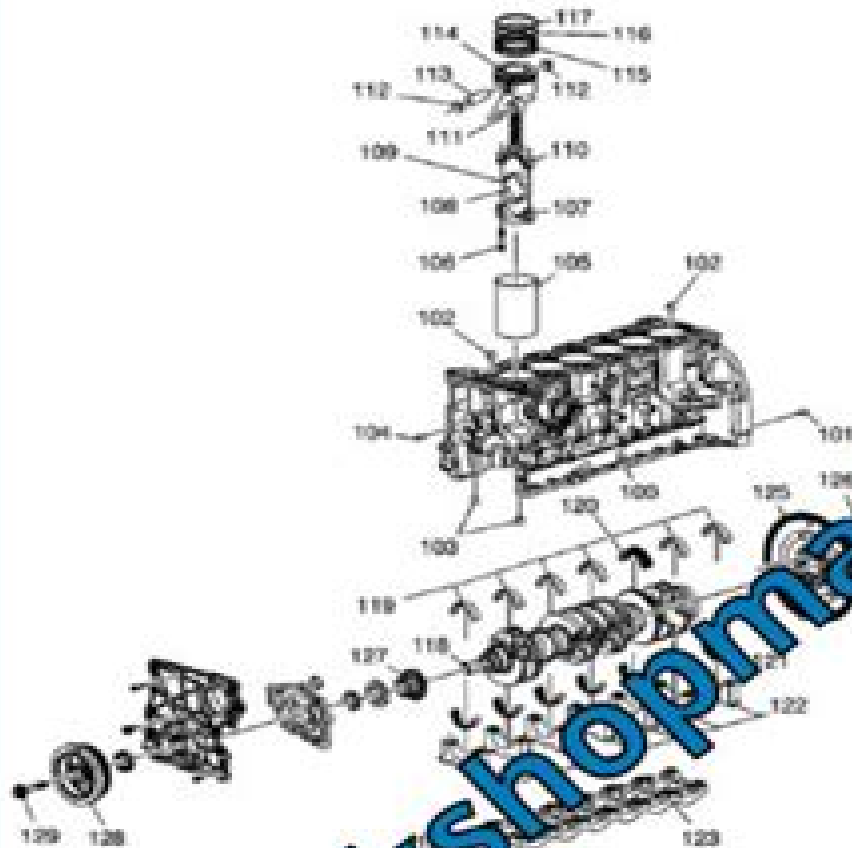


Fig. 19- Engine Block, Crankshaft & Pistons
Courtesy of GENERAL MOTORS CORP.

Callout	Component Name
100	Cylinder Block
101	Transmission Locator Pin
102	Cylinder Head Locator Pin
103	Cylinder Head Locator Pin

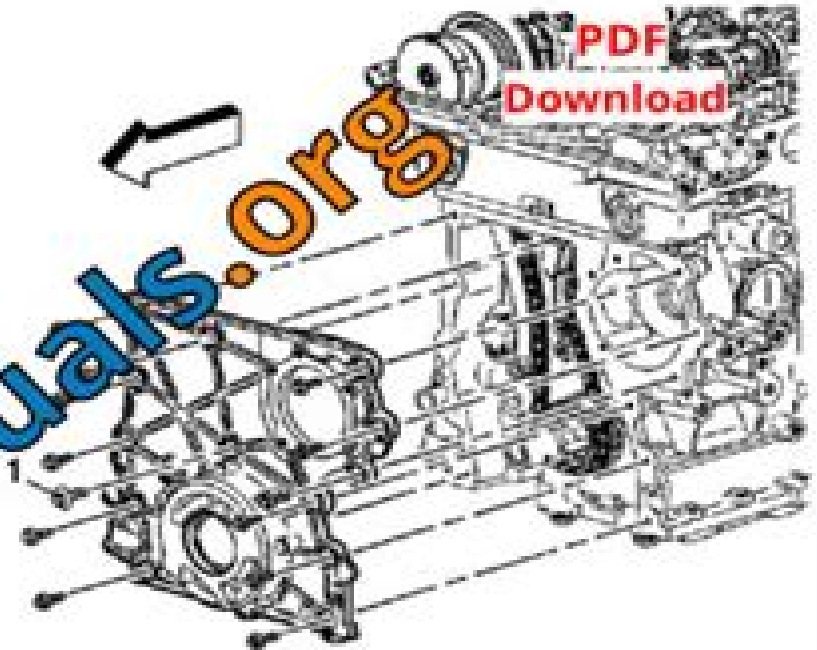


Fig. 166- View Of Engine Front Cover Bolts
Courtesy of GENERAL MOTORS CORP.

5. Install the front cover.
- NOTE:** Refer to Exhauster Notice.
6. Install the front cover bolts, tightening the center bolt (1) last.
Tighten: Tighten the front cover bolts to 10 N m (89 lb in).
 7. Remove the J 44219. See Special Tools.
 8. Raise the vehicle. Refer to Lifting and Jacking the Vehicle.

PDF
Download

workshopmanuals.org

Gmc Envoy Rear Axle Service Manual

Wenbin Ji



Gmc Envoy Rear Axle Service Manual:

Gmc Envoy Rear Axle Service Manual Book Review: Unveiling the Power of Words

In a world driven by information and connectivity, the ability of words has become more evident than ever. They have the ability to inspire, provoke, and ignite change. Such is the essence of the book **Gmc Envoy Rear Axle Service Manual**, a literary masterpiece that delves deep into the significance of words and their effect on our lives. Written by a renowned author, this captivating work takes readers on a transformative journey, unraveling the secrets and potential behind every word. In this review, we shall explore the book's key themes, examine its writing style, and analyze its overall effect on readers.

https://staging.conocer.cide.edu/results/uploaded-files/Download_PDFS/Lilitha_Nursing_College_For_2016.pdf

Table of Contents Gmc Envoy Rear Axle Service Manual

1. Understanding the eBook Gmc Envoy Rear Axle Service Manual
 - The Rise of Digital Reading Gmc Envoy Rear Axle Service Manual
 - Advantages of eBooks Over Traditional Books
2. Identifying Gmc Envoy Rear Axle Service Manual
 - Exploring Different Genres
 - Considering Fiction vs. Non-Fiction
 - Determining Your Reading Goals
3. Choosing the Right eBook Platform
 - Popular eBook Platforms
 - Features to Look for in an Gmc Envoy Rear Axle Service Manual
 - User-Friendly Interface
4. Exploring eBook Recommendations from Gmc Envoy Rear Axle Service Manual
 - Personalized Recommendations
 - Gmc Envoy Rear Axle Service Manual User Reviews and Ratings
 - Gmc Envoy Rear Axle Service Manual and Bestseller Lists
5. Accessing Gmc Envoy Rear Axle Service Manual Free and Paid eBooks

- Gmc Envoy Rear Axle Service Manual Public Domain eBooks
 - Gmc Envoy Rear Axle Service Manual eBook Subscription Services
 - Gmc Envoy Rear Axle Service Manual Budget-Friendly Options
6. Navigating Gmc Envoy Rear Axle Service Manual eBook Formats
- ePub, PDF, MOBI, and More
 - Gmc Envoy Rear Axle Service Manual Compatibility with Devices
 - Gmc Envoy Rear Axle Service Manual Enhanced eBook Features
7. Enhancing Your Reading Experience
- Adjustable Fonts and Text Sizes of Gmc Envoy Rear Axle Service Manual
 - Highlighting and Note-Taking Gmc Envoy Rear Axle Service Manual
 - Interactive Elements Gmc Envoy Rear Axle Service Manual
8. Staying Engaged with Gmc Envoy Rear Axle Service Manual
- Joining Online Reading Communities
 - Participating in Virtual Book Clubs
 - Following Authors and Publishers Gmc Envoy Rear Axle Service Manual
9. Balancing eBooks and Physical Books Gmc Envoy Rear Axle Service Manual
- Benefits of a Digital Library
 - Creating a Diverse Reading Collection Gmc Envoy Rear Axle Service Manual
10. Overcoming Reading Challenges
- Dealing with Digital Eye Strain
 - Minimizing Distractions
 - Managing Screen Time
11. Cultivating a Reading Routine Gmc Envoy Rear Axle Service Manual
- Setting Reading Goals Gmc Envoy Rear Axle Service Manual
 - Carving Out Dedicated Reading Time
12. Sourcing Reliable Information of Gmc Envoy Rear Axle Service Manual
- Fact-Checking eBook Content of Gmc Envoy Rear Axle Service Manual
 - Distinguishing Credible Sources
13. Promoting Lifelong Learning
- Utilizing eBooks for Skill Development

- Exploring Educational eBooks
- ### 14. Embracing eBook Trends
- Integration of Multimedia Elements
 - Interactive and Gamified eBooks

Gmc Envoy Rear Axle Service Manual Introduction

In the digital age, access to information has become easier than ever before. The ability to download Gmc Envoy Rear Axle Service Manual has revolutionized the way we consume written content. Whether you are a student looking for course material, an avid reader searching for your next favorite book, or a professional seeking research papers, the option to download Gmc Envoy Rear Axle Service Manual has opened up a world of possibilities. Downloading Gmc Envoy Rear Axle Service Manual provides numerous advantages over physical copies of books and documents. Firstly, it is incredibly convenient. Gone are the days of carrying around heavy textbooks or bulky folders filled with papers. With the click of a button, you can gain immediate access to valuable resources on any device. This convenience allows for efficient studying, researching, and reading on the go. Moreover, the cost-effective nature of downloading Gmc Envoy Rear Axle Service Manual has democratized knowledge. Traditional books and academic journals can be expensive, making it difficult for individuals with limited financial resources to access information. By offering free PDF downloads, publishers and authors are enabling a wider audience to benefit from their work. This inclusivity promotes equal opportunities for learning and personal growth. There are numerous websites and platforms where individuals can download Gmc Envoy Rear Axle Service Manual. These websites range from academic databases offering research papers and journals to online libraries with an expansive collection of books from various genres. Many authors and publishers also upload their work to specific websites, granting readers access to their content without any charge. These platforms not only provide access to existing literature but also serve as an excellent platform for undiscovered authors to share their work with the world. However, it is essential to be cautious while downloading Gmc Envoy Rear Axle Service Manual. Some websites may offer pirated or illegally obtained copies of copyrighted material. Engaging in such activities not only violates copyright laws but also undermines the efforts of authors, publishers, and researchers. To ensure ethical downloading, it is advisable to utilize reputable websites that prioritize the legal distribution of content. When downloading Gmc Envoy Rear Axle Service Manual, users should also consider the potential security risks associated with online platforms. Malicious actors may exploit vulnerabilities in unprotected websites to distribute malware or steal personal information. To protect themselves, individuals should ensure their devices have reliable antivirus software installed and validate the legitimacy of the websites they are downloading from. In conclusion, the ability to download Gmc Envoy Rear Axle Service Manual has transformed the way we access information.

With the convenience, cost-effectiveness, and accessibility it offers, free PDF downloads have become a popular choice for students, researchers, and book lovers worldwide. However, it is crucial to engage in ethical downloading practices and prioritize personal security when utilizing online platforms. By doing so, individuals can make the most of the vast array of free PDF resources available and embark on a journey of continuous learning and intellectual growth.

FAQs About Gmc Envoy Rear Axle Service Manual Books

1. Where can I buy Gmc Envoy Rear Axle Service Manual books? Bookstores: Physical bookstores like Barnes & Noble, Waterstones, and independent local stores. Online Retailers: Amazon, Book Depository, and various online bookstores offer a wide range of books in physical and digital formats.
2. What are the different book formats available? Hardcover: Sturdy and durable, usually more expensive. Paperback: Cheaper, lighter, and more portable than hardcovers. E-books: Digital books available for e-readers like Kindle or software like Apple Books, Kindle, and Google Play Books.
3. How do I choose a Gmc Envoy Rear Axle Service Manual book to read? Genres: Consider the genre you enjoy (fiction, non-fiction, mystery, sci-fi, etc.). Recommendations: Ask friends, join book clubs, or explore online reviews and recommendations. Author: If you like a particular author, you might enjoy more of their work.
4. How do I take care of Gmc Envoy Rear Axle Service Manual books? Storage: Keep them away from direct sunlight and in a dry environment. Handling: Avoid folding pages, use bookmarks, and handle them with clean hands. Cleaning: Gently dust the covers and pages occasionally.
5. Can I borrow books without buying them? Public Libraries: Local libraries offer a wide range of books for borrowing. Book Swaps: Community book exchanges or online platforms where people exchange books.
6. How can I track my reading progress or manage my book collection? Book Tracking Apps: Goodreads, LibraryThing, and Book Catalogue are popular apps for tracking your reading progress and managing book collections. Spreadsheets: You can create your own spreadsheet to track books read, ratings, and other details.
7. What are Gmc Envoy Rear Axle Service Manual audiobooks, and where can I find them? Audiobooks: Audio recordings of books, perfect for listening while commuting or multitasking. Platforms: Audible, LibriVox, and Google Play Books offer a wide selection of audiobooks.
8. How do I support authors or the book industry? Buy Books: Purchase books from authors or independent bookstores. Reviews: Leave reviews on platforms like Goodreads or Amazon. Promotion: Share your favorite books on social media

or recommend them to friends.

9. Are there book clubs or reading communities I can join? Local Clubs: Check for local book clubs in libraries or community centers. Online Communities: Platforms like Goodreads have virtual book clubs and discussion groups.
10. Can I read Gmc Envoy Rear Axle Service Manual books for free? Public Domain Books: Many classic books are available for free as they're in the public domain. Free E-books: Some websites offer free e-books legally, like Project Gutenberg or Open Library.

Find Gmc Envoy Rear Axle Service Manual :

[lilitha nursing college for 2016](#)

[lingvistikaj aspektoj de esperanto](#)

[lincoln welder with 16 hp briggs engine bing](#)

limpopo mathematics paper 1 november 2013 grade 10

~~limpopo grade life science memorandum 2014 november~~

limpopo geography supplementary exam papers and of 2015

linde h80 parts manual

limpopo life sciences grade 11 final exam 2014 time

limpopo agricultural science grade final question paper

limpopo grade9 2013 final mathematics question paper

lincoln town car limo manual

[limiting reactant problems and answers high school](#)


lilitha nursing school 2016 intake

limpopo 2014 maths lit p2 2014 mid year p2

[limdep econometric modeling guide](#)

Gmc Envoy Rear Axle Service Manual :

[caligula quotes by albert camus goodreads - Apr 01 2022](#)

web 121 likes like ce monde tel qu'il est fait n'est pas supportable j'ai donc besoin de la lune ou du bonheur ou de l'immortalité de quelque chose qui soit dément peut-être mais qui ne soit pas de ce monde albert camus caligula tags dissatisfaction insatiability 40 likes like  caligula

[albert camus stanford encyclopedia of philosophy](#) - Feb 11 2023

web oct 27 2011 after completing nuptials camus began to work on a planned triptych on the absurd a novel which became the stranger a philosophical essay eventually titled the myth of sisyphus and a play caligula

caligula albert camus free download borrow and streaming - May 02 2022

web dec 22 2022 caligula by albert camus publication date 1958 collection inlibrary printdisabled internetarchivebooks contributor internet archive language english access restricted item true addeddate 2022 12 22 14 01 44 autocrop version 0 0 14 books 20220331 0 2 boxid ia40798021 camera usb ptp class camera

[caligula wikipedia](#) - Dec 09 2022

web caligula by french author albert camus is a play in which caligula returns after deserting the palace for three days and three nights following the death of his beloved sister drusilla the young emperor then uses his unfettered power to bring the impossible into the realm of the likely

albert camus caligula ancient sources and modern parallels - Mar 12 2023

web albert camus caligula ancient sources and modern parallels walter a strauss aius caesar caligula the third of the roman caesars reigned four years from a d 37 to 41 his nickname caligula stems from the word caligae meaning army boots caius wore them in his childhood when he was brought up

[caligula camus albert 1913 1960 free download borrow](#) - Aug 05 2022

web camus albert 1913 1960 publication date 1973 topics caligula emperor of rome 12 41 drama caligula emperor of rome 12 41 publisher london methuen collection inlibrary printdisabled internetarchivebooks

[caligula themes enotes com](#) - Jan 10 2023

web discussion of themes and motifs in albert camus caligula enotes critical analyses help you gain a deeper understanding of caligula so you can excel on your essay or test select an area of the

only when in rome albert camus caligula at the theater basel - Feb 28 2022

web may 1 2017 albert camus sketched out caligula in 1937 had a complete first manuscript in 1939 and finished a three act version in 1941 influenced by his experience of the third reich camus heavily revised the play and the production at the theater basel is based on the version first staged in 1945

[caligula analysis enotes com](#) - May 14 2023

web nov 15 2023 dive deep into albert camus caligula with extended analysis commentary and discussion

[caligula play wikipedia](#) - Oct 19 2023

web caligula is a play written by albert camus begun in 1938 the date of the first manuscript is 1939 and published for the first time in may 1944 by Éditions gallimard it premiered on 26 september 1945 at the théâtre hébertot in paris starring

g rard philipe michel bouquet and georges vity and was directed by paul  ttly

caligula themes supersummary - Sep 06 2022

web thanks for exploring this supersummary study guide of caligula by albert camus a modern alternative to sparknotes and cliffsnotes supersummary offers high quality study guides that feature detailed chapter summaries and analysis of major themes characters quotes and essay topics

caligula albert camus google books - Oct 07 2022

web born in 1913 in algeria albert camus was a french novelist dramatist and essayist he was deeply affected by the plight of the french during the nazi occupation of world war ii who were subject to the military s arbitrary whims he explored the existential human condition in such works as l  tranger the outsider 1942 and le mythe de

caligula by albert camus goodreads - Aug 17 2023

web caligula emperor of rome albert camus caligula is a play written by albert camus begun in 1938 and published for the first time in may 1944 the play was later the subject of numerous revisions it was part of what the author called the cycle of the absurd with the novel the stranger 1942 and the essay the myth of sisyphus 1942

caligula and three other plays by albert camus goodreads - Apr 13 2023

web caligula and three other plays albert camus stuart gilbert translator justin o brien translator 4 06 1 865 ratings90 reviews this english edition includes the plays caligula the misunderstanding le malentendu state of siege l  tat de si ge and the just assassins les justes genres playsdramafictionphilosophyfranceliteratureclassics

caligula and three other plays by albert camus 9780593311271 - Nov 08 2022

web caligula and three other plays by albert camus 9780593311271 penguinrandomhouse com books four thought provoking masterworks for the theater by the nobel prize winning author of the stranger

caligula summary enotes com - Jul 16 2023

web complete summary of albert camus caligula enotes plot summaries cover all the significant action of caligula

albert camus wikipedia - Jul 04 2022

web correspondence 1944 1959 the correspondence of albert camus and maria casares with a preface by his daughter catherine camus 2017 plays edit caligula performed 1945 written 1938

caligula summary and study guide supersummary - Sep 18 2023

web caligula is a play by albert camus a 20th century french author and philosopher camus is known for his novels the stranger and the plague and he was awarded the nobel prize in 1957 he is considered part of the existentialist school of philosophy although he resisted the label during his lifetime

caligula work by camus britannica - Jun 15 2023

web in albert camus camus s literary career le malentendu cross purpose and caligula first produced in 1944 and 1945 respectively remain landmarks in the theatre of the absurd two of his most enduring contributions to the theatre may well be his stage adaptations of william faulkner s requiem for a nun requiem pour une nonne 1956

[caligula youtube](#) - Jun 03 2022

web nov 2 2018 caligula by albert camus circa 1938 new translation by christopher brandt directed by mark j dempsey as performed at medicine show theatre september 6 october 14 2018 music song sobhan

wood elves 8ed jlk9ygm1045 documents and e books - Sep 24 2022

web dark elves dwarfs the empire high elves lizardmen ogre kingdoms orcs goblins skaven tomb kings vampire counts warriors of chaos wood elves

warhammer fantasy wood elves codex 8th ed - Mar 19 2022

web graham mcneill comes a grand saga of magic treachery and elves the elves are a mysterious and magical race best on all sides by war blessed with exceptionally long

high elves warhammer fantasy 8th edition - May 21 2022

web warhammer fantasy wood elves codex 8th ed passage to dawn mar 31 2020 the call of the past grows even stronger as drizzt and his companions are lured from their ship

table of contents warhammer fantasy 8th edition - Jul 23 2022

web sisters of avelorn 20x20mm high elves come from the mystic isle of ulthuan a hidden realm far out to sea that almost no others have visited

wood elves 8th edition army building help forum dakkadakka - Aug 04 2023

web oct 19 2010 i ve been told by a few people that wood elves don t work very well under 8th edition rules with their current codex but i also know that the all tree army uses

high elves 8th edition army book pdf fantasy - Jan 29 2023

web warhammer fantasy battles wood elves 8th edition codex published in 2013 warhammer fantasy battles wood elves 8th edition codex published in 2013

warhammer armies wood elves 6th edition lexicanum - Feb 15 2022

web warhammer fantasy wood elves codex 8th ed ogor mawtribes feb 27 2023 the bookseller feb 24 2020 vols for 1871 76 1913 14 include an extra number the

warhammer armies wood elves 8th edition lexicanum - Sep 05 2023

web oct 17 2021 you get a free wood with wood elves stick them at the back of a map in a small unit with a small frontage inside the woodland and they swing well above their pay

wood elves 8th edition pdf copy r warhammerfantasy reddit - May 01 2023

web nov 1 2022 the eighth edition for life eefl warhammer forum eefl army lists get the rules right wfb 8th edition rules questions eefl painting and hobby

pdf warhammer fantasy wood elves codex 8th ed - Jan 17 2022

web this warhammer fantasy wood elves codex 8th ed as one of the most in force sellers here will unconditionally be accompanied by the best options to review realm of the ice

wood elves all tree army in 8th edition forum dakkadakka - Jul 03 2023

web warhammer fantasy wood elves codex 8th edition description this is a 8th edition of the warhammer fantasy wood elves codex publisher games workshop isbn

warhammer fantasy wood elves codex 8th ed pdf - Nov 14 2021

warhammer fantasy wood elves codex 8th edition - Jun 02 2023

web 6 min ago the island wizard join wood elves 8th edition pdf copy does anyone know where i can download a copy of the 8th edition book for wood elves vote add a

warhammer army book wood elves documents and e books - Oct 26 2022

web 1 introduction 2 the lords of athel loren 3 the deepwood host 4 the lore of high magic 5 the lore of dark magic 6 heirlooms of athel

are wood elves really the worst 8th ed r warhammerfantasy - Apr 19 2022

web nov 22 2019 80 isbn 1 84154 680 1 preceded by warhammer armies wood elves 4th edition followed by warhammer armies wood elves 8th edition

army books 8th edition warhammer the old - Dec 28 2022

web warhammer army book wood elves 143032xz5j4j idocpub home current explore explore all upload dark elves 8th edition warhammer army book october 2019

warhammer fantasy battles wood elves 8th edition codex ebay - Nov 26 2022

web download view wood elves 8ed as pdf for free more details pages 102 preview december 2019 144 warhammer 4th edition wood elves november 2019 230

warhammer fantasy wood elves 8th edition codex army - Feb 27 2023

web vaults forge high elves may have up to two of each of the magic items found in the warhammer fantasy 8th edition rulebook on the following pages you will find the

warhammer armies wood elves 8th edition lorehammer wikia - Aug 24 2022

web fan made wood elves codex very powerful not made by me i do not take credit or responsibility for this white lion of chrace warhammer quest tony baker perilous
[pdf warhammer fantasy wood elves codex 8th ed](#) - Dec 16 2021

wood elves warhammer fantasy 8th edition - Oct 06 2023

web to the wood elves their forest home of loren is a sacred place they guard it with all their strength and cunning leading invaders to their doom in the darkest tangles of the

wood elves pdf unrest leisure scribd - Jun 21 2022

web 8th ed wood elves are pretty strong not sure why they d be panned they are far from being the worst your list is ok you might want to consider making the spellsinger a

wood elf tactics the eighth edition for life eefl - Mar 31 2023

web warhammer fantasy wood elves 8th edition codex army book

[franck thilliez livre audio 2 cd mp3 amazon ae](#) - Sep 04 2022

web find helpful customer reviews and review ratings for atomka franck thilliez livre audio 2 cd mp3 at amazon ae read honest and unbiased product reviews from our users

atomka livre audio 2 cd mp3 amazon fr - Mar 10 2023

web noté 5 retrouvez atomka livre audio 2 cd mp3 et des millions de livres en stock sur amazon fr achetez neuf ou d occasion

[atomka livre audio 2 cd mp3 alibris](#) - Dec 07 2022

web buy atomka livre audio 2 cd mp3 by franck thilliez michel raimbault read by online at alibris we have new and used copies available in 1 editions starting at 51 29 shop now

atomka livre audio 2 cd mp3 thilliez f amazon it libri - Aug 03 2022

web atomka livre audio 2 cd mp3 thilliez f amazon it libri continua senza accettare selezione delle preferenze relative ai cookie utilizziamo cookie e altre tecnologie simili

atomka livre audio 2 cd mp3 thilliez franck raimbault - Jun 13 2023

web dec 5 2012 atomka livre audio 2 cd mp3 thilliez franck raimbault michel on amazon com free shipping on qualifying offers atomka livre audio 2 cd mp3

atomka franck thilliez livre audio 2 cd mp3 by - Apr 11 2023

web buy atomka franck thilliez livre audio 2 cd mp3 by online on amazon ae at best prices fast and free shipping free returns cash on delivery available on eligible purchase

atomka livre audio 2 cd mp3 franck thilliez - Dec 27 2021

web paru le 5 décembre 2012 chez audiolib cd d occasion ou neuf comparez les prix en ligne et achetez ce livre moins cher isbn 9782356415097 978 2 35641 509 7

atomka livre audio 2 cd mp3 7 amazon com br - Jun 01 2022

web compre online atomka livre audio 2 cd mp3 7 de thilliez franck raimbault michel na amazon frete grÁtis em milhares de produtos com o amazon prime encontre diversos livros escritos por thilliez franck raimbault michel com ótimos preços atomka texte lu cd franck thilliez michel raimbault livre - Nov 06 2022

web dec 5 2012 fnac livre audio 2 cd mp3 atomka franck thilliez michel raimbault audiolib livraison chez vous ou en magasin et 5 sur tous les livres achetez neuf ou d occasion

amazon com customer reviews atomka livre audio 2 cd mp3 - Mar 30 2022

web find helpful customer reviews and review ratings for atomka livre audio 2 cd mp3 at amazon com read honest and unbiased product reviews from our users

atomka 2 cd mp3 17h00 par franck thilliez livre audio cd - Apr 30 2022

web jan 28 2013 atomkale lieutenant henebelle et le commissaire sharko se remettent difficilement du drame de gataca mais meurtre d un journaliste de faits divers retrouvé dan son congélateur et la dispa atomka livre audio 2 cd mp3 audio cd audiobook 5 dec 2012 - May 12 2023

web buy atomka livre audio 2 cd mp3 by thilliez franck raimbault michel isbn 9782356415097 from amazon s book store everyday low prices and free delivery on eligible orders

atomka livre audio mp3 by thilliez franck abebooks - Oct 05 2022

web atomka livre audio 2 cd mp3 645 mo 588 mo by thilliez franck and a great selection of related books art and collectibles available now at abebooks com

atomka livre audio 2 cd mp3 645 mo amazon es - Feb 26 2022

web atomka livre audio 2 cd mp3 645 mo 588 mo de franck thilliez 2012 franck thilliez amazon es libros

atomka livre audio 2 cd mp3 franck thilliez ean13 - Aug 15 2023

web atomka livre audio 2 cd mp3 franck thilliez ean13 9782356415097 aller à nouveautés mon compte frais de port offerts à partir de 30 de commande rechercher se connecter mon panier nouveautés À paraître nos collections littérature policiers thrillers imaginaire

atomka livre audio 2 cd mp3 amazon de - Jan 08 2023

web atomka livre audio 2 cd mp3 thilliez franck raimbault michel amazon de books

atomka livre audio 2 cd mp3 texte lu cd fnac - Jul 14 2023

web dec 5 2012 livre audio 2 cd mp3 atomka franck thilliez michel raimbault audiolib des milliers de livres avec la livraison

chez vous en 1 jour ou en magasin avec 5 de réduction atomka livre audio 2 cd mp3 texte lu cd franck thilliez michel raimbault achat livre fnac

atomka livre audio 2 cd mp3 7 policier thriller amazon es - Jan 28 2022

web atomka livre audio 2 cd mp3 7 policier thriller thilliez franck raimbault michel amazon es libros

atomka livre audio franck thilliez audible fr - Jul 02 2022

web atomka le livre audio de franck thilliez à télécharger Écoutez gratuitement l audiobook atomka en français avec l offre d essai audible appel gratuit 0800 94 80 12 me connecter catalogue catégories a z bénéficiez automatiquement de 2 livres audio offerts bonne écoute ces titres pourraient vous intéresser extrait

atomka livre audio 2 cd mp3 amazon de - Feb 09 2023

web atomka livre audio 2 cd mp3 thilliez franck raimbault michel isbn 9782356415097 kostenloser versand für alle bücher mit versand und verkauf duch amazon