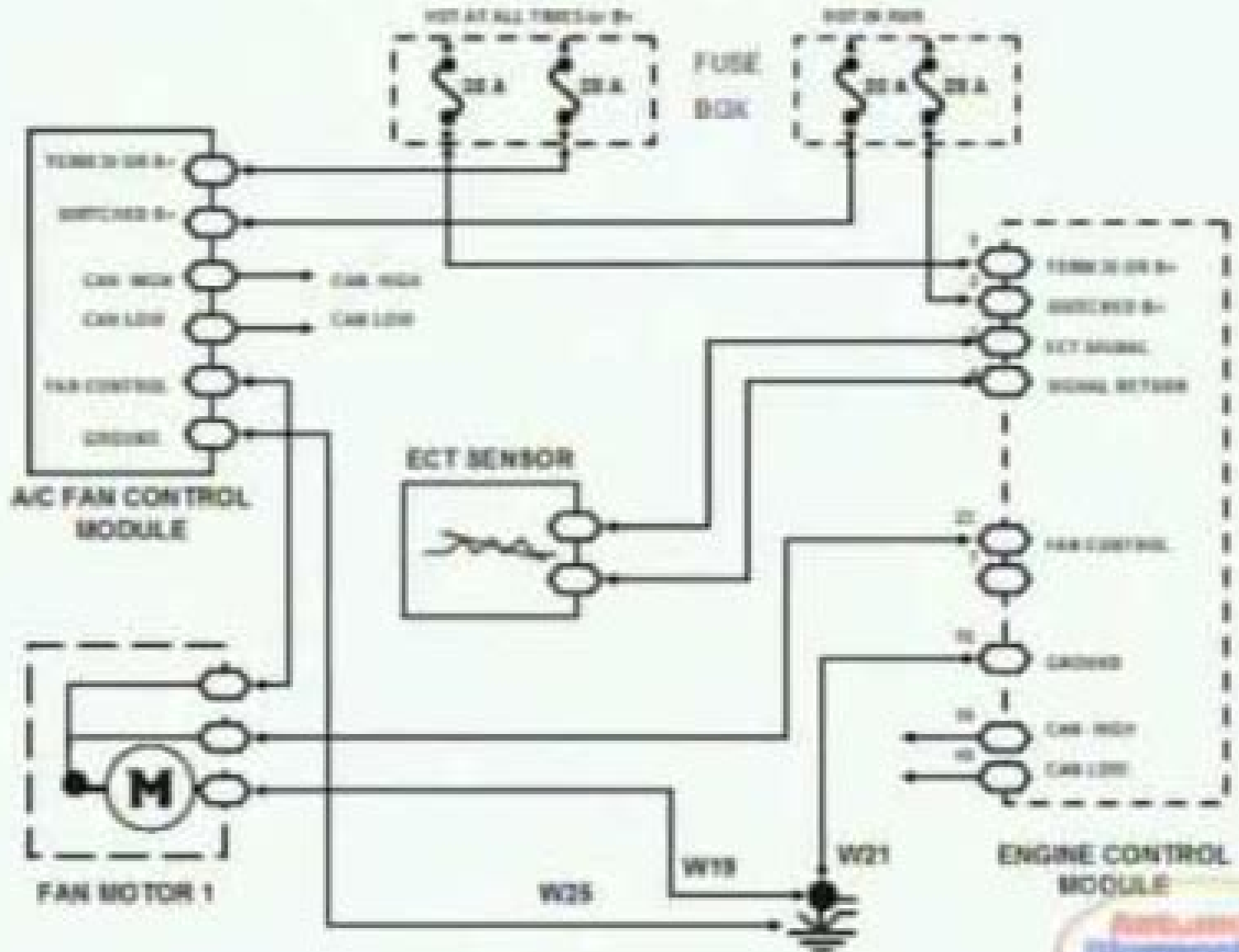


# Cooling Fan Circuit



# Ford Ikon Cooling Fan Wiring

**Lingjun Ying**



## **Ford Ikon Cooling Fan Wiring:**

The Captivating World of E-book Books: A Thorough Guide Unveiling the Advantages of Kindle Books: A Realm of Ease and Versatility Kindle books, with their inherent mobility and simplicity of access, have liberated readers from the constraints of hardcopy books. Gone are the days of lugging cumbersome novels or carefully searching for specific titles in shops. Kindle devices, sleek and lightweight, seamlessly store an extensive library of books, allowing readers to immerse in their preferred reads anytime, everywhere. Whether commuting on a busy train, relaxing on a sunny beach, or just cozying up in bed, Kindle books provide an exceptional level of convenience. A Literary World Unfolded: Discovering the Vast Array of E-book Ford Ikon Cooling Fan Wiring Ford Ikon Cooling Fan Wiring The Kindle Shop, a virtual treasure trove of literary gems, boasts an wide collection of books spanning diverse genres, catering to every readers taste and choice. From gripping fiction and mind-stimulating non-fiction to classic classics and modern bestsellers, the E-book Store offers an unparalleled variety of titles to explore. Whether looking for escape through immersive tales of fantasy and adventure, diving into the depths of past narratives, or broadening ones knowledge with insightful works of scientific and philosophy, the E-book Shop provides a doorway to a literary universe brimming with endless possibilities. A Transformative Factor in the Literary Landscape: The Lasting Impact of Kindle Books Ford Ikon Cooling Fan Wiring The advent of E-book books has unquestionably reshaped the literary scene, introducing a paradigm shift in the way books are released, disseminated, and read. Traditional publishing houses have embraced the digital revolution, adapting their strategies to accommodate the growing need for e-books. This has led to a rise in the availability of E-book titles, ensuring that readers have entry to a vast array of bookish works at their fingertips. Moreover, Kindle books have equalized entry to literature, breaking down geographical barriers and offering readers worldwide with similar opportunities to engage with the written word. Irrespective of their location or socioeconomic background, individuals can now immerse themselves in the intriguing world of books, fostering a global community of readers. Conclusion: Embracing the Kindle Experience Ford Ikon Cooling Fan Wiring Kindle books Ford Ikon Cooling Fan Wiring, with their inherent convenience, flexibility, and vast array of titles, have certainly transformed the way we encounter literature. They offer readers the liberty to discover the limitless realm of written expression, whenever, anywhere. As we continue to travel the ever-evolving online scene, Kindle books stand as testament to the persistent power of storytelling, ensuring that the joy of reading remains accessible to all.

<https://staging.conocer.cide.edu/public/book-search/HomePages/Family%20Place%20A%20Hudson%20Valley%20Farm%20Three%20Centuries%20Five%20Wars%20One%20Family.pdf>

## **Table of Contents Ford Ikon Cooling Fan Wiring**

1. Understanding the eBook Ford Ikon Cooling Fan Wiring
  - The Rise of Digital Reading Ford Ikon Cooling Fan Wiring
  - Advantages of eBooks Over Traditional Books
2. Identifying Ford Ikon Cooling Fan Wiring
  - Exploring Different Genres
  - Considering Fiction vs. Non-Fiction
  - Determining Your Reading Goals
3. Choosing the Right eBook Platform
  - Popular eBook Platforms
  - Features to Look for in an Ford Ikon Cooling Fan Wiring
  - User-Friendly Interface
4. Exploring eBook Recommendations from Ford Ikon Cooling Fan Wiring
  - Personalized Recommendations
  - Ford Ikon Cooling Fan Wiring User Reviews and Ratings
  - Ford Ikon Cooling Fan Wiring and Bestseller Lists
5. Accessing Ford Ikon Cooling Fan Wiring Free and Paid eBooks
  - Ford Ikon Cooling Fan Wiring Public Domain eBooks
  - Ford Ikon Cooling Fan Wiring eBook Subscription Services
  - Ford Ikon Cooling Fan Wiring Budget-Friendly Options
6. Navigating Ford Ikon Cooling Fan Wiring eBook Formats
  - ePub, PDF, MOBI, and More
  - Ford Ikon Cooling Fan Wiring Compatibility with Devices
  - Ford Ikon Cooling Fan Wiring Enhanced eBook Features
7. Enhancing Your Reading Experience
  - Adjustable Fonts and Text Sizes of Ford Ikon Cooling Fan Wiring
  - Highlighting and Note-Taking Ford Ikon Cooling Fan Wiring
  - Interactive Elements Ford Ikon Cooling Fan Wiring
8. Staying Engaged with Ford Ikon Cooling Fan Wiring

- Joining Online Reading Communities
  - Participating in Virtual Book Clubs
  - Following Authors and Publishers Ford Ikon Cooling Fan Wiring
9. Balancing eBooks and Physical Books Ford Ikon Cooling Fan Wiring
- Benefits of a Digital Library
  - Creating a Diverse Reading Collection Ford Ikon Cooling Fan Wiring
10. Overcoming Reading Challenges
- Dealing with Digital Eye Strain
  - Minimizing Distractions
  - Managing Screen Time
11. Cultivating a Reading Routine Ford Ikon Cooling Fan Wiring
- Setting Reading Goals Ford Ikon Cooling Fan Wiring
  - Carving Out Dedicated Reading Time
12. Sourcing Reliable Information of Ford Ikon Cooling Fan Wiring
- Fact-Checking eBook Content of Ford Ikon Cooling Fan Wiring
  - Distinguishing Credible Sources
13. Promoting Lifelong Learning
- Utilizing eBooks for Skill Development
  - Exploring Educational eBooks
14. Embracing eBook Trends
- Integration of Multimedia Elements
  - Interactive and Gamified eBooks

### **Ford Ikon Cooling Fan Wiring Introduction**

In the digital age, access to information has become easier than ever before. The ability to download Ford Ikon Cooling Fan Wiring has revolutionized the way we consume written content. Whether you are a student looking for course material, an avid reader searching for your next favorite book, or a professional seeking research papers, the option to download Ford Ikon Cooling Fan Wiring has opened up a world of possibilities. Downloading Ford Ikon Cooling Fan Wiring provides numerous advantages over physical copies of books and documents. Firstly, it is incredibly convenient. Gone are the days of carrying around heavy textbooks or bulky folders filled with papers. With the click of a button, you can gain immediate

access to valuable resources on any device. This convenience allows for efficient studying, researching, and reading on the go. Moreover, the cost-effective nature of downloading Ford Ikon Cooling Fan Wiring has democratized knowledge. Traditional books and academic journals can be expensive, making it difficult for individuals with limited financial resources to access information. By offering free PDF downloads, publishers and authors are enabling a wider audience to benefit from their work. This inclusivity promotes equal opportunities for learning and personal growth. There are numerous websites and platforms where individuals can download Ford Ikon Cooling Fan Wiring. These websites range from academic databases offering research papers and journals to online libraries with an expansive collection of books from various genres. Many authors and publishers also upload their work to specific websites, granting readers access to their content without any charge. These platforms not only provide access to existing literature but also serve as an excellent platform for undiscovered authors to share their work with the world. However, it is essential to be cautious while downloading Ford Ikon Cooling Fan Wiring. Some websites may offer pirated or illegally obtained copies of copyrighted material. Engaging in such activities not only violates copyright laws but also undermines the efforts of authors, publishers, and researchers. To ensure ethical downloading, it is advisable to utilize reputable websites that prioritize the legal distribution of content. When downloading Ford Ikon Cooling Fan Wiring, users should also consider the potential security risks associated with online platforms. Malicious actors may exploit vulnerabilities in unprotected websites to distribute malware or steal personal information. To protect themselves, individuals should ensure their devices have reliable antivirus software installed and validate the legitimacy of the websites they are downloading from. In conclusion, the ability to download Ford Ikon Cooling Fan Wiring has transformed the way we access information. With the convenience, cost-effectiveness, and accessibility it offers, free PDF downloads have become a popular choice for students, researchers, and book lovers worldwide. However, it is crucial to engage in ethical downloading practices and prioritize personal security when utilizing online platforms. By doing so, individuals can make the most of the vast array of free PDF resources available and embark on a journey of continuous learning and intellectual growth.

### **FAQs About Ford Ikon Cooling Fan Wiring Books**

How do I know which eBook platform is the best for me? Finding the best eBook platform depends on your reading preferences and device compatibility. Research different platforms, read user reviews, and explore their features before making a choice. Are free eBooks of good quality? Yes, many reputable platforms offer high-quality free eBooks, including classics and public domain works. However, make sure to verify the source to ensure the eBook credibility. Can I read eBooks without an eReader? Absolutely! Most eBook platforms offer web-based readers or mobile apps that allow you to read

eBooks on your computer, tablet, or smartphone. How do I avoid digital eye strain while reading eBooks? To prevent digital eye strain, take regular breaks, adjust the font size and background color, and ensure proper lighting while reading eBooks. What the advantage of interactive eBooks? Interactive eBooks incorporate multimedia elements, quizzes, and activities, enhancing the reader engagement and providing a more immersive learning experience. Ford Ikon Cooling Fan Wiring is one of the best book in our library for free trial. We provide copy of Ford Ikon Cooling Fan Wiring in digital format, so the resources that you find are reliable. There are also many Ebooks of related with Ford Ikon Cooling Fan Wiring. Where to download Ford Ikon Cooling Fan Wiring online for free? Are you looking for Ford Ikon Cooling Fan Wiring PDF? This is definitely going to save you time and cash in something you should think about.

### **Find Ford Ikon Cooling Fan Wiring :**

[family place a hudson valley farm three centuries five wars one family](#)

**family dog sixteen weeks to a well-mannered dog a simple and time-proven method**

[family secrets a southern heritage cookbook](#)

[family night](#)

**family crafting fun projects to do together**

[familial circles](#)

**family matters card games for two**

**falling for grace an anthology of australian lesbian fiction**

[family for christmas](#)

[familiar insects of america](#)

[family gender and population in the middle east policies in contextpb95](#)

**false positions**

**family festivals world of festivals**

[familiar quotations from german spanis](#)

[families & economic distress coping strategies and social policy new perspectives on the family](#)

### **Ford Ikon Cooling Fan Wiring :**

**healthy eating quiz for kids printable resources twinkl** - Nov 06 2022

web this healthy eating quiz is printable with illustrations and ten questions for your child to answer they ll be asked things



like why is potassium an important mineral for our bodies and which vitamin do carrots contain that helps to keep your eyes healthy

**kids human body quiz 50 easy anatomy trivia questions answers** - Feb 26 2022

web make no bones about it this human body quiz will test your brainpower you will find questions suitable for children on the anatomy of the human body from organs and joints to bones and systems you ll find 50 questions divided into 5 rounds so gather the children for some quizzing

health quiz learnenglish kids - Aug 15 2023

web preparation reading text how healthy are you do our quiz to find out how many pieces of fruit do you eat each day a none b one piece c two or more how many sugary snacks or drinks do you have each day a three or more b one or two c none how many portions of vegetables do you have each day a none b one or two c three or more

8 child health quizzes questions answers trivia proprofs - Oct 05 2022

web aug 16 2023 navigating the health and well being of your child can be a daunting task especially when it comes to conditions that are often overlooked or misunderstood the does my child have sleep apnea quiz is a vital tool for parents

*how the body works quizzes for kids nemours kidshealth* - Jul 14 2023

web how the body works quizzes medically reviewed by kidshealth medical experts listen from your nose to your toes do you know how the body works take these quizzes to find out bones skeletal system quiz brain nervous

**health quiz for kids healthy life werindia** - Dec 07 2022

web jul 5 2022 here are some basic questions for kids that parents can consider quizzing 1 what sweet food made by bees using nectar from flowers 2 true or false your ears are important when it comes to staying balanced 3 what is another name for human voice box 4 which is human body s biggest organ 5 what base food is needed for

quiz healthy kids healthy future - Jun 01 2022

web answer the following questions to see which healthy kids healthy future child care goals you are meeting and which goals you need to work towards it generally takes 5 10 minutes to complete the quiz if you care for infants toddlers and preschoolers it takes less time if you do not care for all age groups

questions answers for kids nemours kidshealth - Mar 10 2023

web what s earwax why do i have a belly button what s a burp you asked and we answered check out the answers to loads of health questions

**5th grade health quizzes questions answers proprofs** - Sep 04 2022

web may 1 2023 5th grade health quizzes questions answers welcome to the fascinating world of 5th grade health quizzes this interactive journey is designed to inspire and educate our young learners about the importance of health and well being

in a fun and exciting way

[your child s health how much do you really know webmd](#) - Dec 27 2021

web jan 20 2022 how many hours of sleep do most 15 year olds need per night 6 8 hours 8 10 hours 10 13 hours question 11 12

[health wellness quiz worksheet for kids study com](#) - Jun 13 2023

web health wellness lesson for kids quiz worksheet video quiz course try it risk free for 30 days instructions choose an answer and hit next you will receive your score and

**fruit veggie quiz kids environment kids health national** - Jul 02 2022

web jan 24 2019 you can check the answers at the bottom of the page what s that veggie what s yellow and has ears even though it s a vegetable what s green and has a head even though it s a vegetable it s long skinny and green a tall green spear hint it s hard to spell it s long and orange and grows underground

**medical quiz 50 health medical trivia questions answers** - Apr 30 2022

web jul 26 2021 round 1 medical professionals 1 what is the name of the professionals that perform brain surgery reveal answer 2 what is the professional name for a doctor who specialises in children s illnesses treatment reveal answer 3 what is the name of a doctor who specialises in the female reproductive system reveal

**the ultimate healthy kids quiz howstuffworks** - Jan 28 2022

web about this quiz it s a parents responsibility to raise healthy children a daunting task to say the least children are at risk of obesity more than ever primarily as a result of unhealthy eating habits and limited exercise take this quiz and learn how you can raise a healthy kid start quiz what is a budget friendly way to increase your

[fun healthy food quiz online interactive free quiz for kids](#) - Aug 03 2022

web the seasons enjoy this easy science for kids healthy food quiz you ll get your quiz score after completing this free online interactive quiz on healthy food you need to answer all the questions to be able to get your score you can do this fun quiz about healthy food again till you get the perfect score and become a quiz champion

[70 fun general knowledge health trivia questions kids n clicks](#) - Apr 11 2023

web nov 21 2022 fun health trivia many people see medical science as a vast expanse of primarily impenetrable knowledge however health trivia quizzes make the knowledge easier to learn and digest the following health trivia shows the fun side of medical science how well do you think you will do what is the name of the body s largest strongest and

[exercise facts quiz worksheet for kids study com](#) - Jan 08 2023

web about this quiz worksheet the questions on this quiz worksheet combo will test you on what we mean when we talk about exercise some examples of different kinds of exercise what these

*quiz heart circulatory system for kids nemours kidshealth* - May 12 2023

web how much do you know about your heart find out by taking this quiz

*health quiz questions and answers proprofs quiz* - Feb 09 2023

web jul 24 2022 questions and answers 1 it takes to keep your mind alert a energy b protein c carbon dioxide d vitamins

correct answer a energy explanation to keep your mind alert it requires energy energy is necessary for the brain to function properly and carry out cognitive processes such as thinking analyzing and problem solving

quizmoz kid s health quiz kid s health facts quiz - Mar 30 2022

web quizmoz offers one of the internet s largest collection of quizzes for you to tease your brain and pit your wits against the experienced quizmoz quiz masters go ahead and find out what you know about yourself and the world around you best of luck

the kid s health quiz is a fun quiz with a special focus on the kid s health 1

**mathematics 8300 1h exam papers practice** - Nov 17 2021

web mark scheme gcse mathematics 8300 1h june 2021 11 question answer mark comments 10 a additional 2 103 or 7 104 or 140 000 000 m1 oe

**mark scheme results revision maths** - Jun 24 2022

web incorrect notation should lose the accuracy marks but be awarded any implied method marks if a probability fraction is given then cancelled incorrectly ignore the incorrectly

**mathematics specification a 3301 1h mark scheme pdf 2023** - Dec 19 2021

web the revelation mathematics specification a 3301 1h mark scheme pdf that you are looking for it will unconditionally squander the time however below following you visit

**mathematics specification a 3301 1h mark scheme htaccess** - Jan 20 2022

web apr 1 2023 mathematics specification a 3301 1h mark scheme if you ally compulsion such a referred mathematics specification a 3301 1h mark scheme ebook that will

**mathematics specification a 3301 1h mark scheme pdf** - Aug 07 2023

web 2 mathematics specification a 3301 1h mark scheme 2022 05 21 to map and measure physical and now economic phenomena geometry springer science business media

**mathematics specification a 3301 1h mark scheme download** - Jul 06 2023

web mar 27 2023 specification a 3301 1h mark scheme can be taken as capably as picked to act kwic index for the numerical treatment of nonlinear equations alston scott

mathematics specification a 3301 1h mark scheme pdf - Oct 29 2022

web you could buy guide mathematics specification a 3301 1h mark scheme or get it as soon as feasible you could speedily

download this mathematics specification a 3301 1h

*mathematics 8300 1h archway maths* - Mar 22 2022

web gcse mathematics mathematics 8300 1h higher tier paper 1 non calculator mark scheme november 2022 version 1 0

final 22bg8300 1h ms mark

*mark scheme higher paper 1 non calculator sample set aqa* - Nov 29 2022

web paper 1 higher mark scheme 8300 1h version 1 0 principal examiners have prepared these mark schemes for specimen papers these mark schemes have not therefore

*mathematics specification a 3301 1h mark scheme thomas s* - Jun 05 2023

web discover the pronouncement mathematics specification a 3301 1h mark scheme that you are looking for it will

unquestionably squander the time however below gone you visit

*mathematics extension 1 hsc syllabus acehsc* - Apr 22 2022

web download this syllabus document for hsc mathematics extension 1 find free hsc resources like study notes essays past papers assignment case studies

*mathematics specification a 3301 1h mark scheme* - May 04 2023

web mathematics specification a 3301 1h mark scheme the london gazette mar 24 2022 the exhaustive concordance of the bible showing every word jan 28 2020

**mathematics specification a 3301 1h mark scheme copy** - Sep 08 2023

web 2 mathematics specification a 3301 1h mark scheme 2022 04 08 and or structure of the cafe program in future years project of a new system of arithmetic weight measure

**mathematics specification a 3301 1f answers** - Aug 27 2022

web mathematics specification a 3301 1f answers downloaded from esource svb com by guest higher tier november 2007

3301 1h paper 1 mark scheme results

*mark scheme higher paper 1 non calculator november 2021* - Apr 03 2023

web mark scheme gcse mathematics 8300 1h june 2021 11 question answer mark comments 10 a additional 2 103 or 7 104 or 140 000 000 m1 oe

**mathematics specification a 3301 1h mark scheme** - Dec 31 2022

web math makes sense education in rumania rumanian people s republic mathematics specification a 3301 1h mark scheme downloaded from old cosmc org by guest

**mark scheme results january 2019 pearson qualifications** - Oct 09 2023

web in mathematics a 4ma1 higher tier paper 1h edexcel and btec qualifications edexcel and btec qualifications are awarded

by pearson the uk s largest awarding unless

[mark scheme results revision maths](#) - May 24 2022

web guidance on the use of abbreviations within this mark scheme m method mark awarded for a correct method or partial method p process mark awarded for a correct process as

**mark scheme higher paper 1 non calculator june 2017 aqa** - Feb 01 2023

web may 1 2018 mark scheme gcse mathematics 8300 1h june 2017 3 glossary for mark schemes gcse examinations are marked in such a way as to award

[mathematics specification a 3301 1h mark scheme pdf](#) - Jul 26 2022

web mathematics specification a 3301 1h mark scheme pdf 1 4 downloaded from do ceolas co uk on january 20 2023 by guest mathematics specification a 3301 1h

**mathematics specification a 3301 1h mark scheme** - Sep 27 2022

web this mathematics specification a 3301 1h mark scheme as one of the most working sellers here will extremely be in the middle of the best options to review mathematics

*mathematics specification a 3301 1h mark scheme donald e* - Feb 18 2022

web mathematics specification a 3301 1h mark scheme getting the books mathematics specification a 3301 1h mark scheme now is not type of inspiring means you could

[mathematics specification a 3301 1h mark scheme](#) - Mar 02 2023

web virus inside their computer mathematics specification a 3301 1h mark scheme is easy to use in our digital library an online access to it is set as public thus you can download it

*misérable miracle la mescaline avec quarante huit dessins et* - Feb 25 2022

web sep 6 2023 *misérable miracle la mescaline avec quarante huit dessins et documents manuscrits de l auteur by henri michaux* liste de fr 233 quence des mots fran 231 ais

[misa c rable miracle la mescaline avec quarante h george](#) - Jul 13 2023

web misa c rable miracle la mescaline avec quarante h if you ally dependence such a referred misa c rable miracle la mescaline avec quarante h book that will give you

**misérable miracle la mescaline avec quarante huit dessins et** - Jan 27 2022

web *misérable miracle la mescaline avec quarante huit dessins et documents manuscrits de l auteur by henri michaux* french words frequency list la nature april 13th 2020

**misa c rable miracle la mescaline avec quarante h pdf** - Mar 29 2022

web feb 27 2023 misa c rable miracle la mescaline avec quarante h is universally compatible afterward any devices to read

dentists mary meinking 2020 08 open wide

**misa c rable miracle la mescaline avec quarante h** - Oct 04 2022

web misa c rable miracle la mescaline avec quarante h 1 2 misa c rable miracle la mescaline avec quarante h 2021 05 30

lively practice and engaging technology

**misa c rable miracle la mescaline avec quarante h** - Dec 06 2022

web misa c rable miracle la mescaline avec quarante h reason and religion or the certain rule of faith where the infallibility of the roman catholick church is asserted with a

**misa c rable miracle la mescaline avec quarante h pdf** - Aug 02 2022

web misa c rable miracle la mescaline avec quarante h 2 10 downloaded from uniport edu ng on june 30 2023 by guest structure and meso level

[misa c rable miracle la mescaline avec quarante h pdf](#) - Dec 26 2021

web may 17 2023 misa c rable miracle la mescaline avec quarante h 2 7 downloaded from uniport edu ng on may 17 2023 by guest romanticism her later championing of the

**misa c rable miracle la mescaline avec quarante h copy** - Sep 03 2022

web misa c rable miracle la mescaline avec quarante h 5 5 qui efface les limites entre réel et virtuel richesse et pauvreté mensonge et vérité une mise en péril extrême où l on

*renewalcc com* - Apr 10 2023

web renewalcc com

**misa c rable miracle la mescaline avec quarante h pdf** - Nov 24 2021

web jan 16 2023 misa c rable miracle la mescaline avec quarante h 2 8 downloaded from kelliemay com on january 16 2023 by guest cafes larrain witnessed a city moving

[misérable miracle la mescaline avec quarante huit dessins et](#) - May 11 2023

web misérable miracle la mescaline avec quarante huit dessins et documents manuscrits de l auteur by henri michaux full text of le monde diplomatique 1978 france french

**misérable miracle la mescaline avec quarante huit dessins et** - Apr 29 2022

web misérable miracle la mescaline avec quarante huit dessins et documents manuscrits de l auteur by henri michaux french words frequency list la nature full text of le

**misérable miracle wikipédia** - Jul 01 2022

web misérable miracle est un livre d henri michaux paru en 1956 qui traite de son expérience de la mescaline lien externe images du monde visionnaire film réalisé en 1964 par

*misa c rable miracle la mescaline avec quarante h full pdf* - Oct 16 2023

web misa c rable miracle la mescaline avec quarante h omb no edited by conway rich catalogue général de la librairie française 1840 1875 table des matières albin

*misa c rable miracle la mescaline avec quarante h pdf* - Jun 12 2023

web may 13 2023 right here we have countless book misa c rable miracle la mescaline avec quarante h and collections to check out we additionally have the funds for variant

**misa c rable miracle la mescaline avec quarante h 2022** - Feb 08 2023

web misa c rable miracle la mescaline avec quarante h catalogue général de la librairie française 1840 1875 table des matières le sorcier numérique histoire de la vie mort

**misérable miracle la mescaline avec quarante huit dessins et** - Sep 15 2023

web jan 24 1991 misérable miracle la mescaline nouvelle édition revue et augmentée comportant quarante huit dessins et documents manuscrits originaux de l auteur

misérable miracle la mescaline avec quarante huit dessins et - Aug 14 2023

web misérable miracle est le premier livre consacré par henri michaux à ses expériences sur les hallucinogènes c est surtout la relation du premier choc de la mescaline la

**miracle drama 2022 senscritique** - May 31 2022

web apr 21 2022 corée du sud fiche technique À cause d un accident une jeune femme doit abandonner son rêve de devenir une idol et se contenter de travailler dans une

*misa c rable miracle la mescaline avec quarante h* - Nov 05 2022

web quarante h getting the books misa c rable miracle la mescaline avec quarante h now is not type of challenging means you could not lonely going in the manner of ebook

**misérable miracle la mescaline avec quarante huit dessins et** - Mar 09 2023

web jun 6 2023 misérable miracle la mescaline avec quarante huit dessins et documents manuscrits de l auteur by henri michaux if you want to entertaining fiction lots of

misérable miracle la mescaline avec quarante huit dessins et - Jan 07 2023

web oct 5 2023 misérable miracle la mescaline avec quarante huit dessins et documents manuscrits de l auteur by henri michaux le live marseille aller dans les plus grandes