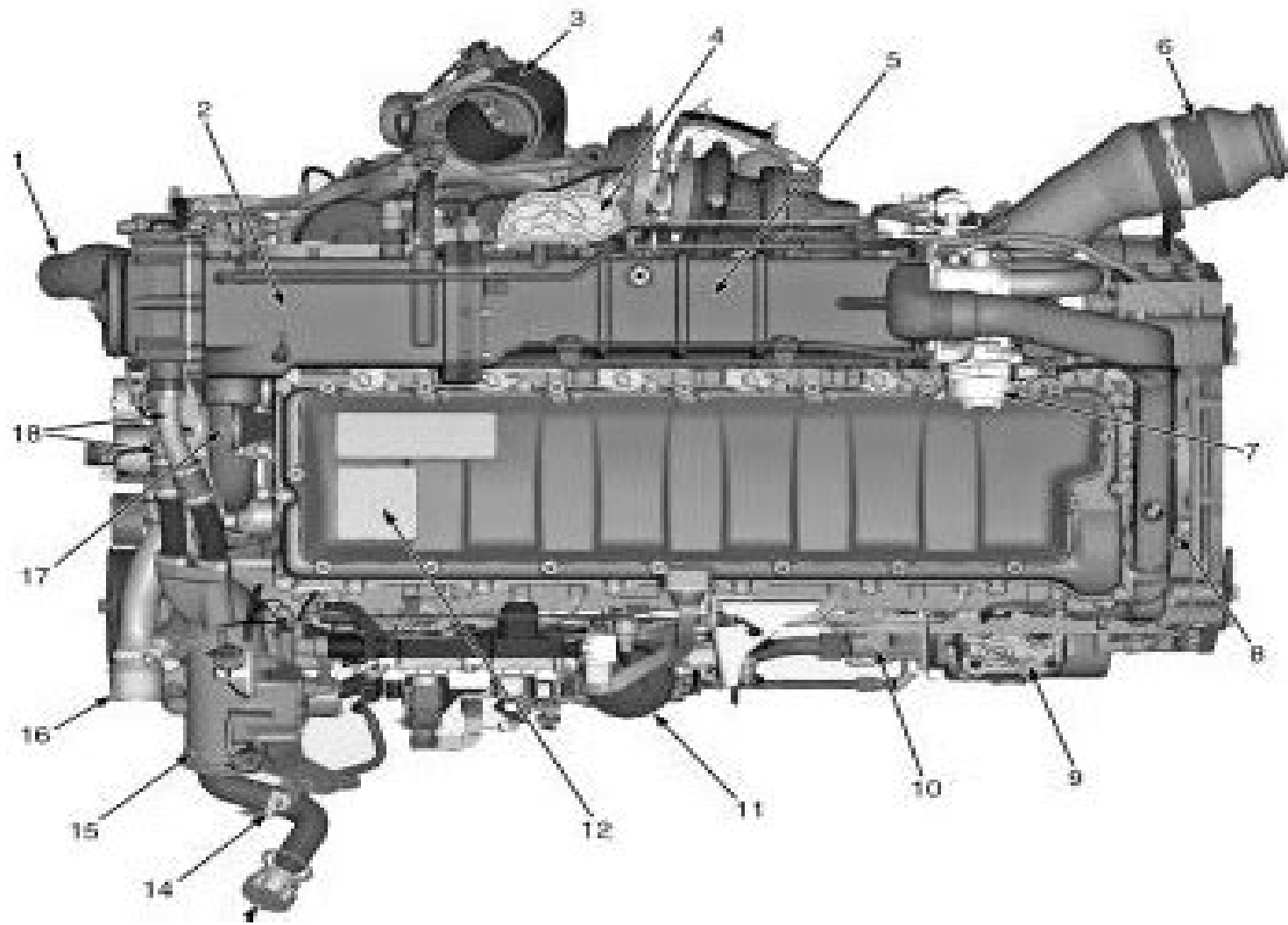


DIAGNOSTIC MANUAL

MaxxForce[®] 11 and 13 Engine



Maxxforce 13 Service Manual

SB Merriam



Maxxforce 13 Service Manual:

Unveiling the Magic of Words: A Overview of "**Maxxforce 13 Service Manual**"

In some sort of defined by information and interconnectivity, the enchanting power of words has acquired unparalleled significance. Their power to kindle emotions, provoke contemplation, and ignite transformative change is really awe-inspiring. Enter the realm of "**Maxxforce 13 Service Manual**," a mesmerizing literary masterpiece penned by a distinguished author, guiding readers on a profound journey to unravel the secrets and potential hidden within every word. In this critique, we shall delve in to the book is central themes, examine its distinctive writing style, and assess its profound impact on the souls of its readers.

https://staging.conocer.cide.edu/data/publication/Documents/Manual_For_Dixon_8025_Mower_Deck.pdf

Table of Contents Maxxforce 13 Service Manual

1. Understanding the eBook Maxxforce 13 Service Manual
 - The Rise of Digital Reading Maxxforce 13 Service Manual
 - Advantages of eBooks Over Traditional Books
2. Identifying Maxxforce 13 Service Manual
 - Exploring Different Genres
 - Considering Fiction vs. Non-Fiction
 - Determining Your Reading Goals
3. Choosing the Right eBook Platform
 - Popular eBook Platforms
 - Features to Look for in an Maxxforce 13 Service Manual
 - User-Friendly Interface
4. Exploring eBook Recommendations from Maxxforce 13 Service Manual
 - Personalized Recommendations
 - Maxxforce 13 Service Manual User Reviews and Ratings
 - Maxxforce 13 Service Manual and Bestseller Lists

5. Accessing Maxxforce 13 Service Manual Free and Paid eBooks
 - Maxxforce 13 Service Manual Public Domain eBooks
 - Maxxforce 13 Service Manual eBook Subscription Services
 - Maxxforce 13 Service Manual Budget-Friendly Options
6. Navigating Maxxforce 13 Service Manual eBook Formats
 - ePub, PDF, MOBI, and More
 - Maxxforce 13 Service Manual Compatibility with Devices
 - Maxxforce 13 Service Manual Enhanced eBook Features
7. Enhancing Your Reading Experience
 - Adjustable Fonts and Text Sizes of Maxxforce 13 Service Manual
 - Highlighting and Note-Taking Maxxforce 13 Service Manual
 - Interactive Elements Maxxforce 13 Service Manual
8. Staying Engaged with Maxxforce 13 Service Manual
 - Joining Online Reading Communities
 - Participating in Virtual Book Clubs
 - Following Authors and Publishers Maxxforce 13 Service Manual
9. Balancing eBooks and Physical Books Maxxforce 13 Service Manual
 - Benefits of a Digital Library
 - Creating a Diverse Reading Collection Maxxforce 13 Service Manual
10. Overcoming Reading Challenges
 - Dealing with Digital Eye Strain
 - Minimizing Distractions
 - Managing Screen Time
11. Cultivating a Reading Routine Maxxforce 13 Service Manual
 - Setting Reading Goals Maxxforce 13 Service Manual
 - Carving Out Dedicated Reading Time
12. Sourcing Reliable Information of Maxxforce 13 Service Manual
 - Fact-Checking eBook Content of Maxxforce 13 Service Manual
 - Distinguishing Credible Sources
13. Promoting Lifelong Learning

- Utilizing eBooks for Skill Development
 - Exploring Educational eBooks
14. Embracing eBook Trends
- Integration of Multimedia Elements
 - Interactive and Gamified eBooks

Maxxforce 13 Service Manual Introduction

Free PDF Books and Manuals for Download: Unlocking Knowledge at Your Fingertips In today's fast-paced digital age, obtaining valuable knowledge has become easier than ever. Thanks to the internet, a vast array of books and manuals are now available for free download in PDF format. Whether you are a student, professional, or simply an avid reader, this treasure trove of downloadable resources offers a wealth of information, conveniently accessible anytime, anywhere. The advent of online libraries and platforms dedicated to sharing knowledge has revolutionized the way we consume information. No longer confined to physical libraries or bookstores, readers can now access an extensive collection of digital books and manuals with just a few clicks. These resources, available in PDF, Microsoft Word, and PowerPoint formats, cater to a wide range of interests, including literature, technology, science, history, and much more. One notable platform where you can explore and download free Maxxforce 13 Service Manual PDF books and manuals is the internet's largest free library. Hosted online, this catalog compiles a vast assortment of documents, making it a veritable goldmine of knowledge. With its easy-to-use website interface and customizable PDF generator, this platform offers a user-friendly experience, allowing individuals to effortlessly navigate and access the information they seek. The availability of free PDF books and manuals on this platform demonstrates its commitment to democratizing education and empowering individuals with the tools needed to succeed in their chosen fields. It allows anyone, regardless of their background or financial limitations, to expand their horizons and gain insights from experts in various disciplines. One of the most significant advantages of downloading PDF books and manuals lies in their portability. Unlike physical copies, digital books can be stored and carried on a single device, such as a tablet or smartphone, saving valuable space and weight. This convenience makes it possible for readers to have their entire library at their fingertips, whether they are commuting, traveling, or simply enjoying a lazy afternoon at home. Additionally, digital files are easily searchable, enabling readers to locate specific information within seconds. With a few keystrokes, users can search for keywords, topics, or phrases, making research and finding relevant information a breeze. This efficiency saves time and effort, streamlining the learning process and allowing individuals to focus on extracting the information they need. Furthermore, the availability of free PDF books and manuals fosters a culture of continuous learning. By removing financial barriers, more people can access educational resources and pursue lifelong learning, contributing to personal

growth and professional development. This democratization of knowledge promotes intellectual curiosity and empowers individuals to become lifelong learners, promoting progress and innovation in various fields. It is worth noting that while accessing free Maxxforce 13 Service Manual PDF books and manuals is convenient and cost-effective, it is vital to respect copyright laws and intellectual property rights. Platforms offering free downloads often operate within legal boundaries, ensuring that the materials they provide are either in the public domain or authorized for distribution. By adhering to copyright laws, users can enjoy the benefits of free access to knowledge while supporting the authors and publishers who make these resources available. In conclusion, the availability of Maxxforce 13 Service Manual free PDF books and manuals for download has revolutionized the way we access and consume knowledge. With just a few clicks, individuals can explore a vast collection of resources across different disciplines, all free of charge. This accessibility empowers individuals to become lifelong learners, contributing to personal growth, professional development, and the advancement of society as a whole. So why not unlock a world of knowledge today? Start exploring the vast sea of free PDF books and manuals waiting to be discovered right at your fingertips.

FAQs About Maxxforce 13 Service Manual Books

What is a Maxxforce 13 Service Manual PDF? A PDF (Portable Document Format) is a file format developed by Adobe that preserves the layout and formatting of a document, regardless of the software, hardware, or operating system used to view or print it. **How do I create a Maxxforce 13 Service Manual PDF?** There are several ways to create a PDF: Use software like Adobe Acrobat, Microsoft Word, or Google Docs, which often have built-in PDF creation tools. Print to PDF: Many applications and operating systems have a "Print to PDF" option that allows you to save a document as a PDF file instead of printing it on paper. Online converters: There are various online tools that can convert different file types to PDF. **How do I edit a Maxxforce 13 Service Manual PDF?** Editing a PDF can be done with software like Adobe Acrobat, which allows direct editing of text, images, and other elements within the PDF. Some free tools, like PDFescape or Smallpdf, also offer basic editing capabilities. **How do I convert a Maxxforce 13 Service Manual PDF to another file format?** There are multiple ways to convert a PDF to another format: Use online converters like Smallpdf, Zamzar, or Adobe Acrobat's export feature to convert PDFs to formats like Word, Excel, JPEG, etc. Software like Adobe Acrobat, Microsoft Word, or other PDF editors may have options to export or save PDFs in different formats. **How do I password-protect a Maxxforce 13 Service Manual PDF?** Most PDF editing software allows you to add password protection. In Adobe Acrobat, for instance, you can go to "File" -> "Properties" -> "Security" to set a password to restrict access or editing capabilities. Are there any free alternatives to Adobe Acrobat for working with PDFs? Yes, there are many free alternatives for working with PDFs, such as:

LibreOffice: Offers PDF editing features. PDFsam: Allows splitting, merging, and editing PDFs. Foxit Reader: Provides basic PDF viewing and editing capabilities. How do I compress a PDF file? You can use online tools like Smallpdf, ILovePDF, or desktop software like Adobe Acrobat to compress PDF files without significant quality loss. Compression reduces the file size, making it easier to share and download. Can I fill out forms in a PDF file? Yes, most PDF viewers/editors like Adobe Acrobat, Preview (on Mac), or various online tools allow you to fill out forms in PDF files by selecting text fields and entering information. Are there any restrictions when working with PDFs? Some PDFs might have restrictions set by their creator, such as password protection, editing restrictions, or print restrictions. Breaking these restrictions might require specific software or tools, which may or may not be legal depending on the circumstances and local laws.

Find Maxxforce 13 Service Manual :

~~manual for dixon 8025 mower deck~~

~~manual for iphone 4s white~~

manual for pfaff passport 2

~~manual for ford five hundred~~

manual for teh yamaha psr 170

manual for structural kinesiology

~~manual for mitsubishi solar panel~~

~~manual for juki 206e~~

manual for doing cultural anthropology

manual for orion 811

manual for coping

manual for genie excelerator

manual for compaq armada 7750mt

manual for ls180 new holland

manual for mercedes benz e230

Maxxforce 13 Service Manual :

place à monsieur larrey chirurgien de la garde impériale - Jun 13 2023

web biographie de dominique larrey 1766 1842 chirurgien en chef de la garde impériale inventeur du bouche à bouche du

principe des soins immédiats aux blessés et des ambulances volantes précurseur de la médecine humanitaire

place à monsieur larrey chirurgien de la garde impériale by - Jan 08 2023

web place monsieur larrey chirurgien de la garde im achat esculapio dominique jean larrey 1766 1842 place monsieur larrey chirurgien de la garde impriale fr place monsieur larrey chirurgien de la dominique jean larrey 1766 1842 historia de la medicina place monsieur larrey chirurgien de la garde impriale april 1st 2020

İstanbul lazer ameliyatı uygulayan doktorlar uzmanlar - Jul 02 2022

web tahtakale mah güldefne sokak İnnovia ispartakule sitesino 2 i ispartakule bahçeşehir İstanbul bullet harita dr Öğr Üyesi ayhan Önal muayenehanesi

chirurgie plastique turquie istanbul cliniques chirurgiens 2023 - Mar 30 2022

web feb 10 2023 si vous vous sentez bientôt dans une chirurgie esthétique et esthétique alors réservez vous dans l une de ces meilleures cliniques cosmétiques et esthétiques ainsi que des chirurgiens plasticiens et reconstructeurs à istanbul en turquie et profitez de votre nouveau look d une manière très économique et magnifique

place a monsieur larrey chirurgien de la garde im download - Sep 04 2022

web mémoires de chirurgie militaire et histoire de ses campagnes place a monsieur larrey chirurgien de la garde im downloaded from old talentsprint com by guest deanna lucero napoleon s doctors bod books on demand de la médecine antique à la première transplantation cardiaque le professeur jean Noël Fabiani raconte 30 histoires

İhsaniye plaza yandex - Feb 26 2022

web görüntüle haritadaki giriş ve rota oluşturun yandex maps te oluşturabilirsiniz

place à monsieur larrey chirurgien de la garde impériale - Jul 14 2023

web après le sacre larrey est nommé chirurgien en chef de la garde impériale commence alors pour cet homme au destin de légende une fantastique chevauchée du moulin d austerlitz à la grange d eylau de madrid aux ponts du danube de l incendie de moscou aux passerelles de la bérézina

place à monsieur larrey chirurgien de la garde impériale decitre - Mar 10 2023

web mar 3 2006 après le sacre larrey est nommé chirurgien en chef de la garde impériale commence alors pour cet homme au destin de légende une fantastique chevauchée du moulin d austerlitz à la grange d eylau de madrid aux ponts du danube de l incendie de moscou aux passerelles de la bérézina

fixator assisted acute femoral deformity correction and - Dec 27 2021

web background external fixators are being used frequently in standard limb lengthening and deformity correction procedures lengthening over an intramedullary nail has been a successful technique and fixator assisted intramedullary nailing has provided satisfactory results for the correction of selected deformities

place à monsieur larrey chirurgien de la garde impériale - Feb 09 2023

web oct 25 2022 chronique de place à monsieur larrey chirurgien de la garde impériale de jean marchioni peu avant les adieux de napoléon à sa garde dans la cour du cheval blanc larrey s est présenté à l empereur pour solliciter la faveur de l accompagner à l île d elbe Ému de percevoir enfin une marque de fidélité parmi l abandon général il

laparoscopi İstanbul 2023 fiyatları doğ dr İlker kahramanoğlu - Jun 01 2022

web halk arasında kapalı ameliyat olarak da bilinen laparoscopi özellikle kadın hastalıkları ve doğum alanında en çok kullanılan cerrahi yöntemlerden biridir laparoscopi İstanbul günümüzde açık ameliyat yönteminin yerini almaya başlayan modern bir cerrahi yöntemidir

en iyi 10 restoran milli saraylar resim muzesi tripadvisor - Jan 28 2022

web İstanbul İstanbul seyahat İstanbul otelleri İstanbul pansiyonları İstanbul uçak bileti

place a monsieur larrey chirurgien de la garde im uniport edu - Dec 07 2022

web mar 15 2023 place à monsieur larrey jean marchioni 2003 présente de la campagne d egypte à la conquête de l algérie sous louis philippe l histoire attachante d un grand chirurgien de la garde impériale organisateur du service de santé bulletin de la société de chirurgie de paris société de chirurgie de paris 1875

Çocuk cerrahisi İstanbul yorumları incele ve randevu al - Aug 03 2022

web İstanbul bölgesinde diğer İade kabul eden Çocuk cerrahları İstanbul bölgesinde allianz sigorta kabul eden Çocuk cerrahları

chirurgie esthetique turquie avis et prix aram clinic clinique - Apr 30 2022

web aram clinic meilleur centre de chirurgie esthetique turquie aram clinic s est assurée une réputation et un prestige de niveau internationale parmi les cliniques de chirurgie plastique en turquie classée dans le cercle très sélect des meilleures polycliniques d istanbul aram clinic doit read more

place monsieur larrey chirurgien garde abebooks - Nov 06 2022

web place à monsieur larrey chirurgien de la garde impériale by marchioni jean and a great selection of related books art and collectibles available now at abebooks co uk

place à monsieur larrey chirurgien de la garde impériale - Aug 15 2023

web mar 1 2006 après le sacre larrey est nommé chirurgien en chef de la garde impériale commence alors pour cet homme au destin de légende une fantastique chevauchée du moulin d austerlitz à la grange d eylau de madrid aux pon

place à monsieur larrey chirurgien de la garde impériale - Apr 11 2023

web mar 1 2006 après le sacre larrey est nommé chirurgien en chef de la garde impériale commence alors pour cet homme au destin de légende une fantastique chevauchée du moulin d austerlitz à la grange d eylau de madrid aux ponts du danube

de l incendie de moscou aux passerelles de la bérézina

place a monsieur larrey chirurgien de la garde im pdf - Oct 05 2022

web place a monsieur larrey chirurgien de la garde im 3 3 cet ouvrage propose une remontée dans le temps pour comprendre le transfert des connaissances médicales entre la france et la nouvelle france au cours du xviiiè siècle l auteure décrit ce passage des savoirs grâce à une étude comparative des pratiques professionnelles du médecin du

place à monsieur larrey chirurgien de la garde impériale - May 12 2023

web place a monsieur larrey chirurgien de la garde impe riale biographie by marchioni jean 1933 publication date 2003 topics larrey d j dominique jean baron 1766 1842 france arme e garde impe riale physicians france biography surgeons france biography napoleonic wars 1800 1815 medical care france publisher

me and rumi the autobiography of shams i tabrizi paperback - Feb 26 2022

web sep 1 2004 amazon in buy me and rumi the autobiography of shams i tabrizi book online at best prices in india on amazon in read me and rumi the autobiography of shams i tabrizi book reviews author details and more at amazon in free delivery on qualified orders

me and rumi the autobiography of shams i tabrizi - Mar 10 2023

web fons vitae 2004 shams i tabrizi william c chittick annemarie schimmel the astounding autobiography of the man who transformed rumi from a learned religious teacher into the world s greatest poet of mystical love isbn 13 978 1 887752 52 7

me and rumi the autobiography of shams i tabrizi - Jan 28 2022

web shams i tabrizi or shams al din mohammad 1185 1248 was a persianmuslim who is credited as the spiritual instructor of mewlana jalal ad din muhammad balkhi also known as rumi and is referenced with great reverence in rumi s poetic collection in particular diwan i shams i tabrizi the works of shams of tabriz

me rumi the autobiography of shams i tabrizi google books - May 12 2023

web practically every biography highlights his encounter with shams i tabrizi the wandering mystic who became his beloved companion rumi had been a sober scholar teaching law and theology to a

william c chittick me rumi the autobiography of shams i tabrizi - Feb 09 2023

web me rumi the autobiography of shams i tabrizi louisville kentucky fons vitae 2004 xxv 409 p abstracta iranica en ligne volume 27 2006 document 268 mis en ligne le 02 janvier 2007 consulté le 11 septembre 2023 url journals openedition org abstractairanica 6218 doi

me and rumi the autobiography of shams i tabrizi softcover - Jun 01 2022

web about this title the astounding autobiography of the man who transformed rumi from a learned religious teacher into the world s greatest poet of mystical love synopsis may belong to another edition of this title buy new learn more about this copy

us 38 90 convert currency shipping free within u s a destination rates speeds

me rumi the autobiography of shams i tabrizi louisville - Aug 03 2022

web me rumi the autobiography of shams i tabrizi louisville kentucky fons vitae 2004 xxv 409 p franklin lewis the maqālāt e Šams e tabrizī fl konya 1244 47 is one of the two or three most important prose texts providing us with context for the ideas expressed in the maṭnawī and dīwān of jalāl al dīn rūmī

me and rumi the autobiography of shams i tabrizi paperback - Jul 02 2022

web sep 1 2004 me and rumi the autobiography of shams i tabrizi tabrizi shams i schimmel annemarie chittick william c amazon ca books

me rumi the autobiography of shams i tabrizi hardcover - Oct 05 2022

web buy me rumi the autobiography of shams i tabrizi by william c chittick isbn from amazon s book store everyday low prices and free delivery on eligible orders

me rumi the autobiography of shams i tabrizi pdf scribd - Sep 04 2022

web me rumi the autobiography of shams i tabrizi free ebook download as pdf file pdf or view presentation slides online autobiography of shams i tabrizi

me rumi the autobiography of shams i tabrizi louisville - Jan 08 2023

web electronic reference franklin lewis william c chittick me rumi the autobiography of shams i tabrizi louisville kentucky fons vitae 2004 xxv 409 p abstracta iranica online volume 27 2006 document 268 online

me and rumi archehos free download borrow and - Aug 15 2023

web oct 15 2020 me and rumi bookreader item preview me and rumi the autobiography of shams i tabrizi transl william c chittick addeddate 2020 10 15 15 35 18 identifier meandrumi identifier ark ark 13960 t79t1869h ocr tesseract 5 0 0 alpha 20201231 10 g1236 ocr detected lang en

me and rumi the autobiography of shams i tabrizi - Jun 13 2023

web mar 9 2016 me and rumi the autobiography of shams i tabrizi translated introduced and annotated by william c chittick louisville fons vitae 2004 347 pages index us 25 95 paper isbn 1 887752 52 8 review of middle east studies

me and rumi the autobiography of shams i tabrizi ismailimail - Mar 30 2022

web apr 16 2019 me and rumi the autobiography of shams i tabrizi by ismailimail april 16 2019 the astounding autobiography of the man who transformed rumi from a learned religious teacher into the world s greatest poet of mystical love translated introduced and annotated by william c chittick

[me and rumi the autobiography of shams i tabrizi paperback](#) - Apr 30 2022

web me rumi the authobiography of shams i trabrizi is a translation of those manuscripts which allows to get to know shams

a little better these short discourses are not easy reading but by reading and reflecting on each passage

me and rumi the autobiography of shams i tabrizi - Dec 27 2021

web product description now that rumi has become one of the best selling poets in north america interest in his life and times has increased dramatically practically every collection of his poetry provides a thumbnail biography highlighting his encounter with shams i tabrizi the wandering mystic who became rumi s beloved companion

me and rumi the autobiography of shams i tabrizi paperback - Apr 11 2023

web sep 30 2004 buy me and rumi the autobiography of shams i tabrizi by shams i tabrizi author william c chittick trans isbn 9781887752527 from amazon s book store everyday low prices and free delivery on eligible orders

shams tabrizi wikipedia - Nov 06 2022

web shams tabrizi shams i tabrizī persian شمس تبریزی or shams al din mohammad 1185 1248 was a persian 1 shafi ite 1 poet 2 who is credited as the spiritual instructor of mewlānā jalāl ad dīn muhammad balkhi also known as rumi and is referenced with great reverence in rumi s poetic collection in particular diwan i shams i tabrizī

me and rumi the autobiography of shams i tabrizi - Jul 14 2023

web sep 1 2004 me rumi the authobiography of shams i trabrizi is a translation of those manuscripts which allows to get to know shams a little better these short discourses are not easy reading but by reading and reflecting on each passage we can acquire seeds for our meditations

me and rumi the autobiography of shams i tabrizi goodreads - Dec 07 2022

web shams tabrizi annemarie schimmel foreword william c chittick translator the astounding autobiography of the man who transformed rumi from a learned religious teacher into the world s greatest poet of mystical love

pearson envision math scope and sequence pdf checkin - May 24 2022

web pearson envision math scope and sequence 3 3 math phonics and science to add variety and depth to this foundational curriculum additional topics such as health and safety arts and crafts music and physical education are included this program which is biblically based and filled with hands on activities can be easily adapted

program overview - Jul 06 2023

web envision math 2 0 provides a completely revised common core scope and sequence that addresses the latest information on the market aligning to the next generation assessment major content emphases requirements while maintaining the researchbased instructional model envisionmath2 0 drives

envision mathematics common core 2020 2021 edreports - Mar 02 2023

web dec 3 2020 math k 2 the instructional materials reviewed for envision mathematics common core kindergarten 2 meet expectations for alignment to the standards and usability the instructional materials meet expectations for gateway 1 focus

and coherence gateway 2 rigor and balance and practice content connections and gateway 3

envisionmath 2 0 focusing the k 5 mathematics curriculum - Jun 05 2023

web may 30 2018 grade level specific scope and sequence this document gives a snapshot of the plan for math content for the year the year at a glance allows teachers to view how the order of the topics aligns with the district assessments and [envision 2020 digital review guide assets pearsonschool.com](#) - Apr 03 2023

web envision integrated mathematics 2020 is a comprehensive and innovative program that integrates algebra geometry and statistics in a coherent and engaging way learn how to access the digital resources explore the curriculum design and customize the instruction and assessment to meet your students needs

pearson envision math scope and sequence download only - Apr 22 2022

web pearson envision math scope and sequence go math the formative 5 envision math envision mathematics 2021 national student edition grade 7 accelerated envision mathematics 2021 common core student edition grade 7 accelerated envisionmath what works clearinghouse intervention report envisionmath common core envision [scope sequence pearson education](#) - Oct 29 2022

web into play but it s critical to begin with a comprehensive instructional scope and sequence pearson education through scott foresman reading street and prentice hall literature provides a research based validated scope and sequence around which to anchor your prek 12 curriculum reading skill and

envision mathematics middle school math curriculum savvas - Feb 01 2023

web savvas learning company introduces envision mathematics 2024 a new middle school math curriculum for grades 6 8 combining problem based learning and visual learning

envision math hcps - Jul 26 2022

web access math resources and assignments by clicking the appropriate box resources pearson bounce app troubleshooting guide hcps 102 south hickory avenue bel air md 21014 phone 410 838 7300 fax 410 893 2478 askhcps hcps.org to access accommodations for the hearing impaired

[envision mathematics k 12 math curriculum savvas](#) - Sep 08 2023

web envision mathematics k 12 math curriculum kids see the math teachers see results envision our most effective math series is used in classrooms everywhere envision mathematics focuses on deep conceptual math understanding aided by visual models personalized learning and 3 act tasks family engagement resources provide essential

[scope and sequence pearson education](#) - Aug 07 2023

web scope and sequence common core domains 39 counting and cardinality grade k 40 operations and algebraic thinking grades k 5 43 expressions and equations grade 6 44 number and operations in base ten grades k 5 47 number and operations

fractions grades 3 5 49 the number system grade 6 50 ratios and

envisionmath2 0 program k 8 savvas formerly pearson k12 - Feb 18 2022

web envisionmath2 0 is a comprehensive k 8 mathematics curriculum with superior focus coherence and rigor ensure success at every level with problem based learning embedded visual learning and personalization to empower every teacher and student why envision math 2 0 proven instructional design

pearson envision math scope and sequence pdf - Jun 24 2022

web pearson envision math scope and sequence our mathematical universe jan 30 2021 max tegmark leads us on an astonishing journey through past present and future and through the physics astronomy and mathematics that are the foundation of his work most particularly his hypothesis that our physical

results for scope and sequence math envision tpt - Aug 27 2022

web this set of multiplication task cards follows the scope and sequence of pearson realize s envision 2 0 common core program in this set of task cards you will find unique questions that follow each lesson in topic 1 understanding multiplication and division of

global schools portfolio product training guide pearson - Nov 29 2022

web a new scope and sequence all content at every grade is organized by major supporting and additional clusters to best promote connections necessary for understanding a new format supports students in documenting their thoughts in both a digital active book and a print workspace consumable student edition

envision mathematics 2020 for grades k 5 savvas learning - May 04 2023

web a complete mathematics program for grades k 5 you re going to love what you see new k 5 envision mathematics 2020 is the only math program that combines problem based learning and visual learning to deepen students conceptual understanding envision is used by classrooms across the country and around the world

pearson envision math scope and sequence download only - Mar 22 2022

web pearson envision math scope and sequence getting the books pearson envision math scope and sequence now is not type of challenging means you could not and no one else going in imitation of books gathering or library or borrowing from your contacts to right of entry them this is an categorically easy means to specifically acquire

scope and sequence grades 6 12 pearson education - Sep 27 2022

web our scope and sequence across grades 6 12 is carefully developed to guarantee full coverage of important concepts and skills with no gaps to impede understanding the curriculum outlined here reflects a sound instructional design based on scope and sequence pearson education - Oct 09 2023

web scope and sequence for envisionmath and prentice hall mathematics grade 6 grade 7 grade 8 6 12 version also available

our scope and sequence across grades k 8 is carefully developed to guarantee full coverage of important concepts and skills with no gaps to impede understanding

a whole new teaching equation pearson - Dec 31 2022

web bring maths teaching and learning to life like never before give your primary students a deeper conceptual understanding and higher proficiency in maths with envisionmaths a topic driven teaching and learning program aligned with the australian curriculum mathematics align to australian curriculum mathematics content through direct