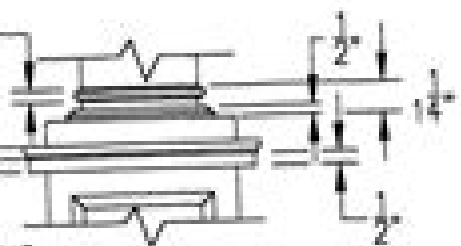
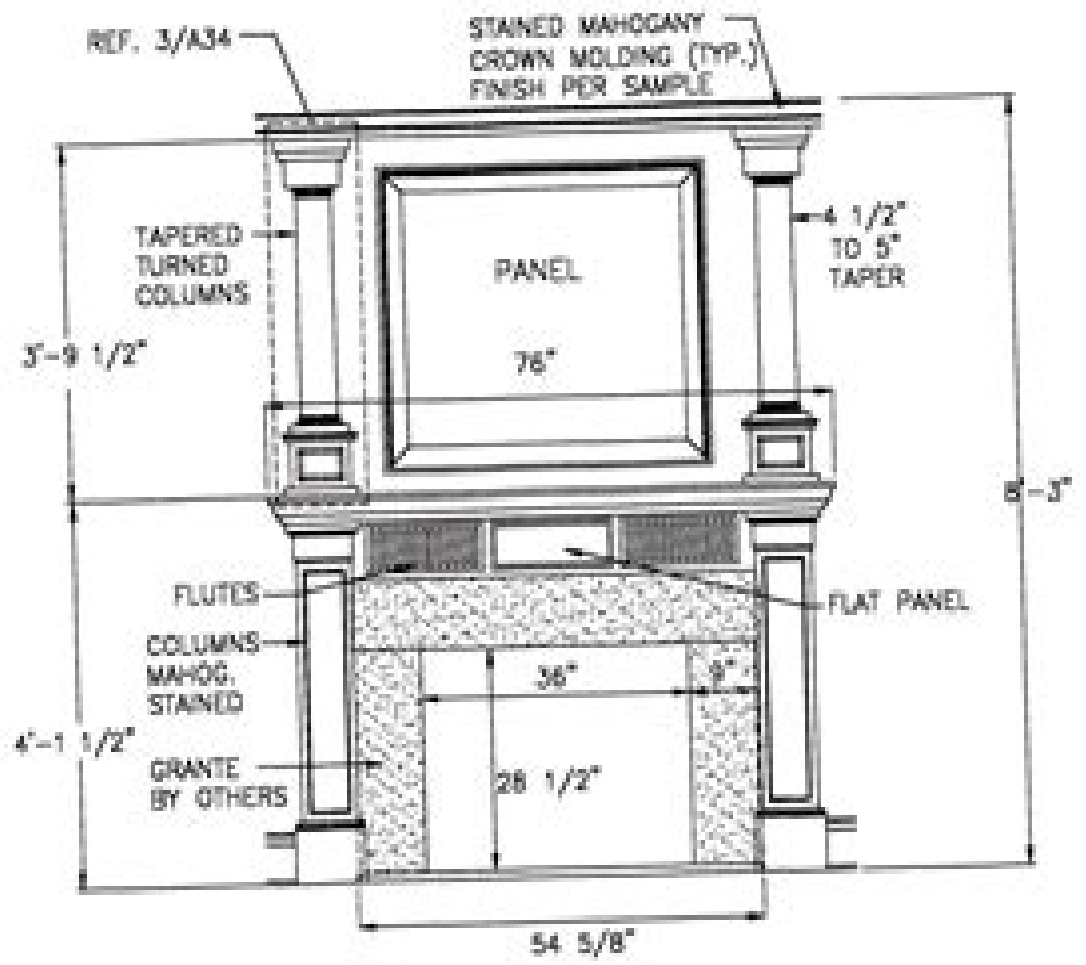
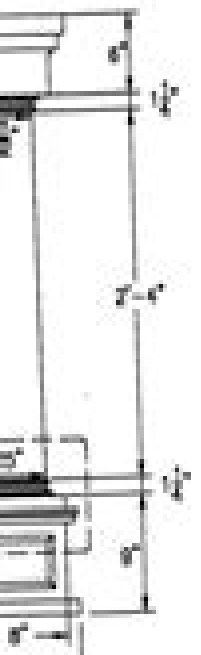


DTL



DETAIL
A34



2 FIREPLACE DTL.
A34 SCALE: N.T.S.

How To Draw A Fireplace In Autocad Tutorial

Christian G. Meyer



How To Draw A Fireplace In Autocad Tutorial:

The Enigmatic Realm of **How To Draw A Fireplace In Autocad Tutorial**: Unleashing the Language is Inner Magic

In a fast-paced digital era where connections and knowledge intertwine, the enigmatic realm of language reveals its inherent magic. Its capacity to stir emotions, ignite contemplation, and catalyze profound transformations is nothing short of extraordinary. Within the captivating pages of **How To Draw A Fireplace In Autocad Tutorial** a literary masterpiece penned by way of a renowned author, readers embark on a transformative journey, unlocking the secrets and untapped potential embedded within each word. In this evaluation, we shall explore the book's core themes, assess its distinct writing style, and delve into its lasting affect the hearts and minds of those that partake in its reading experience.

https://staging.conocer.cide.edu/public/publication/Download_PDFS/hatchet%20chapter%2019%20quiz.pdf

Table of Contents How To Draw A Fireplace In Autocad Tutorial

1. Understanding the eBook How To Draw A Fireplace In Autocad Tutorial
 - The Rise of Digital Reading How To Draw A Fireplace In Autocad Tutorial
 - Advantages of eBooks Over Traditional Books
2. Identifying How To Draw A Fireplace In Autocad Tutorial
 - Exploring Different Genres
 - Considering Fiction vs. Non-Fiction
 - Determining Your Reading Goals
3. Choosing the Right eBook Platform
 - Popular eBook Platforms
 - Features to Look for in an How To Draw A Fireplace In Autocad Tutorial
 - User-Friendly Interface
4. Exploring eBook Recommendations from How To Draw A Fireplace In Autocad Tutorial
 - Personalized Recommendations
 - How To Draw A Fireplace In Autocad Tutorial User Reviews and Ratings
 - How To Draw A Fireplace In Autocad Tutorial and Bestseller Lists

5. Accessing How To Draw A Fireplace In Autocad Tutorial Free and Paid eBooks
 - How To Draw A Fireplace In Autocad Tutorial Public Domain eBooks
 - How To Draw A Fireplace In Autocad Tutorial eBook Subscription Services
 - How To Draw A Fireplace In Autocad Tutorial Budget-Friendly Options
6. Navigating How To Draw A Fireplace In Autocad Tutorial eBook Formats
 - ePub, PDF, MOBI, and More
 - How To Draw A Fireplace In Autocad Tutorial Compatibility with Devices
 - How To Draw A Fireplace In Autocad Tutorial Enhanced eBook Features
7. Enhancing Your Reading Experience
 - Adjustable Fonts and Text Sizes of How To Draw A Fireplace In Autocad Tutorial
 - Highlighting and Note-Taking How To Draw A Fireplace In Autocad Tutorial
 - Interactive Elements How To Draw A Fireplace In Autocad Tutorial
8. Staying Engaged with How To Draw A Fireplace In Autocad Tutorial
 - Joining Online Reading Communities
 - Participating in Virtual Book Clubs
 - Following Authors and Publishers How To Draw A Fireplace In Autocad Tutorial
9. Balancing eBooks and Physical Books How To Draw A Fireplace In Autocad Tutorial
 - Benefits of a Digital Library
 - Creating a Diverse Reading Collection How To Draw A Fireplace In Autocad Tutorial
10. Overcoming Reading Challenges
 - Dealing with Digital Eye Strain
 - Minimizing Distractions
 - Managing Screen Time
11. Cultivating a Reading Routine How To Draw A Fireplace In Autocad Tutorial
 - Setting Reading Goals How To Draw A Fireplace In Autocad Tutorial
 - Carving Out Dedicated Reading Time
12. Sourcing Reliable Information of How To Draw A Fireplace In Autocad Tutorial
 - Fact-Checking eBook Content of How To Draw A Fireplace In Autocad Tutorial
 - Distinguishing Credible Sources
13. Promoting Lifelong Learning

- Utilizing eBooks for Skill Development
 - Exploring Educational eBooks
14. Embracing eBook Trends
- Integration of Multimedia Elements
 - Interactive and Gamified eBooks

How To Draw A Fireplace In Autocad Tutorial Introduction

Free PDF Books and Manuals for Download: Unlocking Knowledge at Your Fingertips In today's fast-paced digital age, obtaining valuable knowledge has become easier than ever. Thanks to the internet, a vast array of books and manuals are now available for free download in PDF format. Whether you are a student, professional, or simply an avid reader, this treasure trove of downloadable resources offers a wealth of information, conveniently accessible anytime, anywhere. The advent of online libraries and platforms dedicated to sharing knowledge has revolutionized the way we consume information. No longer confined to physical libraries or bookstores, readers can now access an extensive collection of digital books and manuals with just a few clicks. These resources, available in PDF, Microsoft Word, and PowerPoint formats, cater to a wide range of interests, including literature, technology, science, history, and much more. One notable platform where you can explore and download free How To Draw A Fireplace In Autocad Tutorial PDF books and manuals is the internet's largest free library. Hosted online, this catalog compiles a vast assortment of documents, making it a veritable goldmine of knowledge. With its easy-to-use website interface and customizable PDF generator, this platform offers a user-friendly experience, allowing individuals to effortlessly navigate and access the information they seek. The availability of free PDF books and manuals on this platform demonstrates its commitment to democratizing education and empowering individuals with the tools needed to succeed in their chosen fields. It allows anyone, regardless of their background or financial limitations, to expand their horizons and gain insights from experts in various disciplines. One of the most significant advantages of downloading PDF books and manuals lies in their portability. Unlike physical copies, digital books can be stored and carried on a single device, such as a tablet or smartphone, saving valuable space and weight. This convenience makes it possible for readers to have their entire library at their fingertips, whether they are commuting, traveling, or simply enjoying a lazy afternoon at home. Additionally, digital files are easily searchable, enabling readers to locate specific information within seconds. With a few keystrokes, users can search for keywords, topics, or phrases, making research and finding relevant information a breeze. This efficiency saves time and effort, streamlining the learning process and allowing individuals to focus on extracting the information they need. Furthermore, the availability of free PDF books and manuals fosters a culture of continuous learning. By removing financial barriers, more people can access educational resources and pursue lifelong

learning, contributing to personal growth and professional development. This democratization of knowledge promotes intellectual curiosity and empowers individuals to become lifelong learners, promoting progress and innovation in various fields. It is worth noting that while accessing free How To Draw A Fireplace In Autocad Tutorial PDF books and manuals is convenient and cost-effective, it is vital to respect copyright laws and intellectual property rights. Platforms offering free downloads often operate within legal boundaries, ensuring that the materials they provide are either in the public domain or authorized for distribution. By adhering to copyright laws, users can enjoy the benefits of free access to knowledge while supporting the authors and publishers who make these resources available. In conclusion, the availability of How To Draw A Fireplace In Autocad Tutorial free PDF books and manuals for download has revolutionized the way we access and consume knowledge. With just a few clicks, individuals can explore a vast collection of resources across different disciplines, all free of charge. This accessibility empowers individuals to become lifelong learners, contributing to personal growth, professional development, and the advancement of society as a whole. So why not unlock a world of knowledge today? Start exploring the vast sea of free PDF books and manuals waiting to be discovered right at your fingertips.

FAQs About How To Draw A Fireplace In Autocad Tutorial Books

How do I know which eBook platform is the best for me? Finding the best eBook platform depends on your reading preferences and device compatibility. Research different platforms, read user reviews, and explore their features before making a choice. Are free eBooks of good quality? Yes, many reputable platforms offer high-quality free eBooks, including classics and public domain works. However, make sure to verify the source to ensure the eBook credibility. Can I read eBooks without an eReader? Absolutely! Most eBook platforms offer webbased readers or mobile apps that allow you to read eBooks on your computer, tablet, or smartphone. How do I avoid digital eye strain while reading eBooks? To prevent digital eye strain, take regular breaks, adjust the font size and background color, and ensure proper lighting while reading eBooks. What the advantage of interactive eBooks? Interactive eBooks incorporate multimedia elements, quizzes, and activities, enhancing the reader engagement and providing a more immersive learning experience. How To Draw A Fireplace In Autocad Tutorial is one of the best book in our library for free trial. We provide copy of How To Draw A Fireplace In Autocad Tutorial in digital format, so the resources that you find are reliable. There are also many Ebooks of related with How To Draw A Fireplace In Autocad Tutorial. Where to download How To Draw A Fireplace In Autocad Tutorial online for free? Are you looking for How To Draw A Fireplace In Autocad Tutorial PDF? This is definitely going to save you time and cash in something you should think about. If you trying to find then search around for online. Without a doubt there are numerous these available and many of them have the freedom. However without doubt you receive whatever you purchase. An alternate

way to get ideas is always to check another How To Draw A Fireplace In Autocad Tutorial. This method for see exactly what may be included and adopt these ideas to your book. This site will almost certainly help you save time and effort, money and stress. If you are looking for free books then you really should consider finding to assist you try this. Several of How To Draw A Fireplace In Autocad Tutorial are for sale to free while some are payable. If you arent sure if the books you would like to download works with for usage along with your computer, it is possible to download free trials. The free guides make it easy for someone to free access online library for download books to your device. You can get free download on free trial for lots of books categories. Our library is the biggest of these that have literally hundreds of thousands of different products categories represented. You will also see that there are specific sites catered to different product types or categories, brands or niches related with How To Draw A Fireplace In Autocad Tutorial. So depending on what exactly you are searching, you will be able to choose e books to suit your own need. Need to access completely for Campbell Biology Seventh Edition book? Access Ebook without any digging. And by having access to our ebook online or by storing it on your computer, you have convenient answers with How To Draw A Fireplace In Autocad Tutorial To get started finding How To Draw A Fireplace In Autocad Tutorial, you are right to find our website which has a comprehensive collection of books online. Our library is the biggest of these that have literally hundreds of thousands of different products represented. You will also see that there are specific sites catered to different categories or niches related with How To Draw A Fireplace In Autocad Tutorial So depending on what exactly you are searching, you will be able tochoose ebook to suit your own need. Thank you for reading How To Draw A Fireplace In Autocad Tutorial. Maybe you have knowledge that, people have search numerous times for their favorite readings like this How To Draw A Fireplace In Autocad Tutorial, but end up in harmful downloads. Rather than reading a good book with a cup of coffee in the afternoon, instead they juggled with some harmful bugs inside their laptop. How To Draw A Fireplace In Autocad Tutorial is available in our book collection an online access to it is set as public so you can download it instantly. Our digital library spans in multiple locations, allowing you to get the most less latency time to download any of our books like this one. Merely said, How To Draw A Fireplace In Autocad Tutorial is universally compatible with any devices to read.

Find How To Draw A Fireplace In Autocad Tutorial :

hatchet chapter 19 quiz

harvard annual report 2008

hasil imso 2015 tingkat provinsi

hawaiin bread machine recipe

harrap s scooby doo halloween collectif

hay loader manual

haspi fertility case study key

hasil osp jateng 2015 pengumuman

hasil osn sma tingkat kota yogyakarta

harry harrison harry harrison

hater hashtag series book english edition

harvard management company annual report

harman kardon ch140 tape decks owners manual

harp exercises for agility and speed

hasil un smp negeri kras tahun2015

How To Draw A Fireplace In Autocad Tutorial :

The Trustee's Manual: 10 Rules for Church Leaders ... The Trustee's Manual provides church leaders with 10 Biblical rules than help church leadership become effective leaders and follow the Words of Christ. Jesus ... Handbook of Policies, Procedures, and Fees Jan 23, 2018 — BOARD OF TRUSTEES. Beulah Missionary Baptist Church. The Reverend Jerry D. Black, Pastor. Handbook of Policies,. Procedures, and Fees. January ... The Work of the Church Trustee by Tibbetts, Orlando L. This comprehensive guide will deepen and broaden the trustee's sense of ministry and mission in his or her service to the church. It covers every facet of ... Trustees Handbook Jan 19, 2017 — - Specific responsibilities shared by the boards include: stewardship; effective cooperation and coordination of board activities; communication ... HOW TO BE A TRUSTEE IN A CHURCH FIRST EDITION ... This booklet is our attempt at 'the idiot's guide' to being a trustee in a vineyard church. Let me say now that our trustees in no way deserve the title of ... WORK OF THE CHURCH TRUSTEE ... trustee's sense of ministry and mission in his/her service to the church. An excellent tool for new or experienced board members, this book covers every ... RESPONSIBILITIES OF CHURCH TRUSTEES The following is a sample list of what might be reflected in a church constitution: The Trustees shall be responsible for all legal obligations for the church ... Trustees Manual Review annually the adequacy of property, liability, crime and insurance coverage on church-owned property, buildings and equipment. 4. Review annually the ... Baptist Handbook F Baptist Handbook For Church ... For many years I have felt the need of a small book on church membership, written from the viewpoint of an independent Baptist, to place in the hands of members ... BUGB Trustee Board Governance Handbook This handbook is intended to be used as a reference tool for the Trustees of the Baptist Union of Great Britain (BUGB), the charitable body behind Baptists ... The Handbook of Global User Research The book collects insight from UX professionals from nine countries and, following a typical project timeline, presents practical

insights into the preparation, ... Handbook of Global User Research This chapter is a practical guide for user researchers, user experience professionals, market researchers, product designers, and others who conduct user ... The Handbook of Global User Research (Kobo eBook) Sep 29, 2009 — Presents the definitive collection of hard won lessons from user research professionals around the world · Includes real-world examples of global ... The Handbook of Global User Research - 1st Edition The book collects insight from UX professionals from nine countries and, following a typical project timeline, presents practical insights into the preparation, ... The Handbook of Global User Research The book collects insight from UX professionals from nine countries and, following a typical project timeline, presents practical insights into the preparation, ... The Handbook of Global User Research: | Guide books Oct 29, 2009 — Presents the definitive collection of hard won lessons from user research professionals around the world*Includes real-world examples of global ... The Handbook of Global User Research [Book] The book collects insight from UX professionals from nine countries and, following a typical project timeline, presents practical insights into the preparation, ... The Handbook of Global User Research The Handbook of Global User Research. By Robert Schumacher. About this book · Morgan Kaufmann. Pages displayed by permission of Morgan Kaufmann. Copyright. The Handbook of Global User Research by Robert ... The book collects insight from UX professionals from nine countries and, following a typical project timeline, presents practical insights into the preparation, ... The Handbook of Global User Research ... The Handbook of Global User Research is the first book to focus on global user research. The book collects insight from UX professionals from nine countries ... Financial and Managerial Accounting The Wild Financial and Managerial Accounting text has quickly become the market-leading text that provides a corporate perspective with balanced coverage in ... Financial and Managerial Accounting by Wild, John The Wild Financial and Managerial Accounting text has quickly become the market-leading text that provides a corporate perspective with balanced coverage in ... Financial and Managerial Accounting by Wild, John Building on the success of the best-selling Fundamental Accounting Principles text, authors John Wild, Ken W. Shaw, and Barbara Chiappetta created Financial ... Financial and Managerial Accounting 9th edition ... Rent Financial and Managerial Accounting 9th edition (978-1260728774) today, or search our site for other textbooks by John Wild. Financial Managerial Accounting by John Wild Financial and Managerial Accounting: Information for Decisions by John J. Wild and a great selection of related books, art and collectibles available now at ... Financial and Managerial Accounting - John J. Wild Financial and Managerial Accounting by John J. Wild; Ken Shaw; Barbara Chiappetta ... 9781259334962: Financial and Managerial Accounting 5th Edition (Paperback). Financial and Managerial Accounting John... Financial Accounting: Information for Decisions With PowerWeb and NetTutor, Second Edition. John J. Wild. from: \$7.09 · College Accounting. Financial And Managerial Accounting [John Wild] Buy Financial And Managerial Accounting [John Wild] ISBN 9780078025761 0078025761 6th edition ... Financial And Managerial Accounting - by Wild \$49.99 ... Financial and managerial accounting - WorldCat Financial and managerial accounting : information for

decisions. Authors: John J. Wild, Barbara Chiappetta, Ken W. Shaw. Front cover image for Financial and ...