

VCR Loading Operations

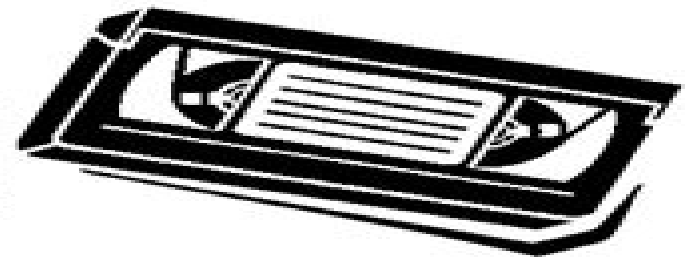
By Robert Epperson

Cassette Holder Control

When the mechanism state switch (S2104) is set to the *EJECT* position, the cassette holder mechanism is powered by the capstan motor, in order to carry out the cassette loading process. Both the speed and directional rotation of the capstan motor are controlled by the System Control Microprocessor.

As illustrated in *Figure 1*, capstan motor speed is determined by the two voltages applied to the capstan motor drive *IC81M*:

- Drive voltage applied to pin 5 from pin 27 of the Servo *IC601* during cassette loading and eject.
- Power supply voltage applied to pin 6. This voltage originates from pin 18 (*V.CAPST. CONT.*) as a PWM signal through Q872, LPF, Q873, and Q874. This voltage varies



during normal operational modes from 10v to 13v. During cassette loading and eject, it is fixed at 13v.

The rotational direction of the capstan motor is determined by the logic at pin 41 of the System Control Microprocessor, and applied to pin 22 of *IC81M*. The logic is *LOW* during cassette loading, and *HIGH* during *EJECT*. When the cassette loading or *EJECT* operation

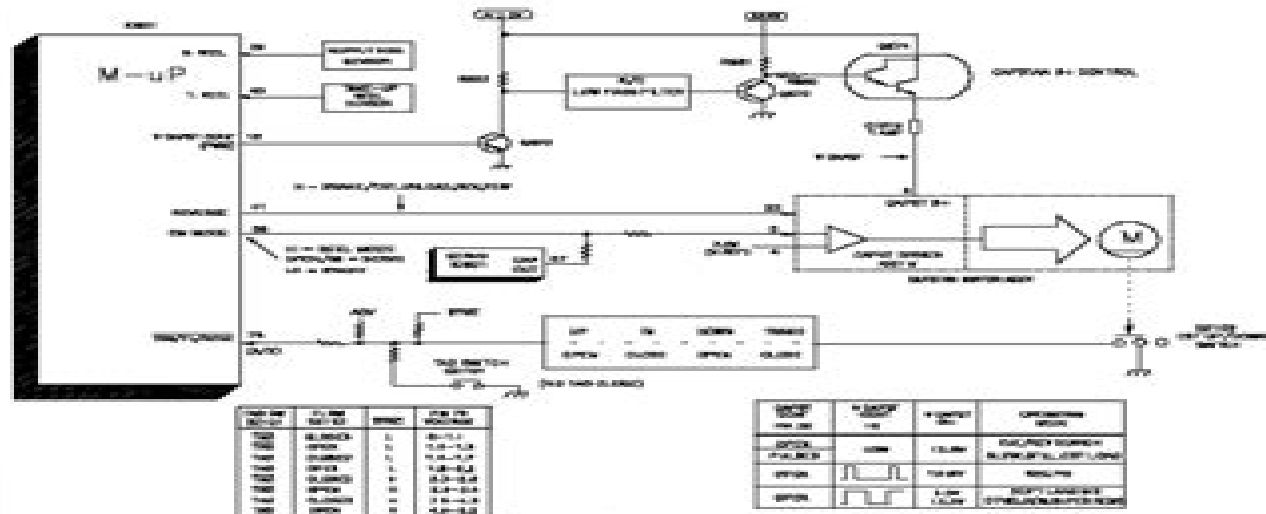


Figure 1

INSIDE...
NEXT MONTH...

VCR LOADING/UNLOADING OPERATIONS
PROJECTION TV SELF-DIAGNOSTIC CODES

Hitachi Vcr Manual

SJ Ball



Hitachi Vcr Manual:

This is likewise one of the factors by obtaining the soft documents of this **Hitachi Vcr Manual** by online. You might not require more grow old to spend to go to the book start as without difficulty as search for them. In some cases, you likewise get not discover the declaration Hitachi Vcr Manual that you are looking for. It will utterly squander the time.

However below, gone you visit this web page, it will be for that reason agreed simple to acquire as with ease as download guide Hitachi Vcr Manual

It will not agree to many times as we run by before. You can attain it even though play in something else at home and even in your workplace. consequently easy! So, are you question? Just exercise just what we pay for under as skillfully as review **Hitachi Vcr Manual** what you behind to read!

<https://staging.conocer.cide.edu/About/Resources/fetch.php/La%20Mort%20Noire.pdf>

Table of Contents Hitachi Vcr Manual

1. Understanding the eBook Hitachi Vcr Manual
 - The Rise of Digital Reading Hitachi Vcr Manual
 - Advantages of eBooks Over Traditional Books
2. Identifying Hitachi Vcr Manual
 - Exploring Different Genres
 - Considering Fiction vs. Non-Fiction
 - Determining Your Reading Goals
3. Choosing the Right eBook Platform
 - Popular eBook Platforms
 - Features to Look for in an Hitachi Vcr Manual
 - User-Friendly Interface
4. Exploring eBook Recommendations from Hitachi Vcr Manual
 - Personalized Recommendations

- Hitachi Vcr Manual User Reviews and Ratings
- Hitachi Vcr Manual and Bestseller Lists
- 5. Accessing Hitachi Vcr Manual Free and Paid eBooks
 - Hitachi Vcr Manual Public Domain eBooks
 - Hitachi Vcr Manual eBook Subscription Services
 - Hitachi Vcr Manual Budget-Friendly Options
- 6. Navigating Hitachi Vcr Manual eBook Formats
 - ePub, PDF, MOBI, and More
 - Hitachi Vcr Manual Compatibility with Devices
 - Hitachi Vcr Manual Enhanced eBook Features
- 7. Enhancing Your Reading Experience
 - Adjustable Fonts and Text Sizes of Hitachi Vcr Manual
 - Highlighting and Note-Taking Hitachi Vcr Manual
 - Interactive Elements Hitachi Vcr Manual
- 8. Staying Engaged with Hitachi Vcr Manual
 - Joining Online Reading Communities
 - Participating in Virtual Book Clubs
 - Following Authors and Publishers Hitachi Vcr Manual
- 9. Balancing eBooks and Physical Books Hitachi Vcr Manual
 - Benefits of a Digital Library
 - Creating a Diverse Reading Collection Hitachi Vcr Manual
- 10. Overcoming Reading Challenges
 - Dealing with Digital Eye Strain
 - Minimizing Distractions
 - Managing Screen Time
- 11. Cultivating a Reading Routine Hitachi Vcr Manual
 - Setting Reading Goals Hitachi Vcr Manual
 - Carving Out Dedicated Reading Time
- 12. Sourcing Reliable Information of Hitachi Vcr Manual
 - Fact-Checking eBook Content of Hitachi Vcr Manual

- Distinguishing Credible Sources
- 13. Promoting Lifelong Learning
 - Utilizing eBooks for Skill Development
 - Exploring Educational eBooks
- 14. Embracing eBook Trends
 - Integration of Multimedia Elements
 - Interactive and Gamified eBooks

Hitachi Vcr Manual Introduction

Hitachi Vcr Manual Offers over 60,000 free eBooks, including many classics that are in the public domain. Open Library: Provides access to over 1 million free eBooks, including classic literature and contemporary works. Hitachi Vcr Manual Offers a vast collection of books, some of which are available for free as PDF downloads, particularly older books in the public domain. Hitachi Vcr Manual : This website hosts a vast collection of scientific articles, books, and textbooks. While it operates in a legal gray area due to copyright issues, its a popular resource for finding various publications. Internet Archive for Hitachi Vcr Manual : Has an extensive collection of digital content, including books, articles, videos, and more. It has a massive library of free downloadable books. Free-eBooks Hitachi Vcr Manual Offers a diverse range of free eBooks across various genres. Hitachi Vcr Manual Focuses mainly on educational books, textbooks, and business books. It offers free PDF downloads for educational purposes. Hitachi Vcr Manual Provides a large selection of free eBooks in different genres, which are available for download in various formats, including PDF. Finding specific Hitachi Vcr Manual, especially related to Hitachi Vcr Manual, might be challenging as theyre often artistic creations rather than practical blueprints. However, you can explore the following steps to search for or create your own Online Searches: Look for websites, forums, or blogs dedicated to Hitachi Vcr Manual, Sometimes enthusiasts share their designs or concepts in PDF format. Books and Magazines Some Hitachi Vcr Manual books or magazines might include. Look for these in online stores or libraries. Remember that while Hitachi Vcr Manual, sharing copyrighted material without permission is not legal. Always ensure youre either creating your own or obtaining them from legitimate sources that allow sharing and downloading. Library Check if your local library offers eBook lending services. Many libraries have digital catalogs where you can borrow Hitachi Vcr Manual eBooks for free, including popular titles. Online Retailers: Websites like Amazon, Google Books, or Apple Books often sell eBooks. Sometimes, authors or publishers offer promotions or free periods for certain books. Authors Website Occasionally, authors provide excerpts or short stories for free on their websites. While this might not be the Hitachi Vcr Manual full book , it can give you a taste of the authors writing style. Subscription Services Platforms like Kindle Unlimited or

Scribd offer subscription-based access to a wide range of Hitachi Vcr Manual eBooks, including some popular titles.

FAQs About Hitachi Vcr Manual Books

What is a Hitachi Vcr Manual PDF? A PDF (Portable Document Format) is a file format developed by Adobe that preserves the layout and formatting of a document, regardless of the software, hardware, or operating system used to view or print it. **How do I create a Hitachi Vcr Manual PDF?** There are several ways to create a PDF: Use software like Adobe Acrobat, Microsoft Word, or Google Docs, which often have built-in PDF creation tools. Print to PDF: Many applications and operating systems have a "Print to PDF" option that allows you to save a document as a PDF file instead of printing it on paper. Online converters: There are various online tools that can convert different file types to PDF. **How do I edit a Hitachi Vcr Manual PDF?** Editing a PDF can be done with software like Adobe Acrobat, which allows direct editing of text, images, and other elements within the PDF. Some free tools, like PDFescape or Smallpdf, also offer basic editing capabilities. **How do I convert a Hitachi Vcr Manual PDF to another file format?** There are multiple ways to convert a PDF to another format: Use online converters like Smallpdf, Zamzar, or Adobe Acrobats export feature to convert PDFs to formats like Word, Excel, JPEG, etc. Software like Adobe Acrobat, Microsoft Word, or other PDF editors may have options to export or save PDFs in different formats. **How do I password-protect a Hitachi Vcr Manual PDF?** Most PDF editing software allows you to add password protection. In Adobe Acrobat, for instance, you can go to "File" -> "Properties" -> "Security" to set a password to restrict access or editing capabilities. Are there any free alternatives to Adobe Acrobat for working with PDFs? Yes, there are many free alternatives for working with PDFs, such as: LibreOffice: Offers PDF editing features. PDFsam: Allows splitting, merging, and editing PDFs. Foxit Reader: Provides basic PDF viewing and editing capabilities. How do I compress a PDF file? You can use online tools like Smallpdf, ILovePDF, or desktop software like Adobe Acrobat to compress PDF files without significant quality loss. Compression reduces the file size, making it easier to share and download. Can I fill out forms in a PDF file? Yes, most PDF viewers/editors like Adobe Acrobat, Preview (on Mac), or various online tools allow you to fill out forms in PDF files by selecting text fields and entering information. Are there any restrictions when working with PDFs? Some PDFs might have restrictions set by their creator, such as password protection, editing restrictions, or print restrictions. Breaking these restrictions might require specific software or tools, which may or may not be legal depending on the circumstances and local laws.

Find Hitachi Vcr Manual :

la mort noire

la pierre philosophale des évangiles aux traités alchimiques

la police française les dossiers d'universalis

la recherche en communication un atout pour les réseaux sociaux

la stagiaire humiliée histoires lesbiennes t

la mileage trip sheet

la noche tuvo miedo night was afraid to fall

la santé d'Hitler

la voie du mage bien décebuter entraînements préparatoires

la tentation de Faust ou la science découverte témoignage document

la maladie thromboembolique veineuse

la parole humiliée

la poupe tzigane

~~la thermographie du bâtiment~~

la porte les clés définitive saga la porte

Hitachi Vcr Manual :

electrical measurements and instrumentation uday a - Aug 19 2023

web nov 1 2020 electrical measurements and instrumentation uday a bakshi late ajay v bakshi technical publications nov 1 2020 technology engineering 700 pages the importance of measuring instruments and transducers is well known in the various engineering fields

measurement and instrumentation author bakshi - Mar 02 2022

web electrical measurements and instrumentation uday a bakshi 2020 11 01 the importance of measuring instruments and transducers is well known in the various engineering fields the book provides comprehensive coverage of various electrical and electronic measuring instruments transducers data acquisition system storage and

books by u a bakshi author of electronic measurements and - Jul 18 2023

web u a bakshi has 90 books on goodreads with 2081 ratings u a bakshi s most popular book is electronic measurements and instrumentation

[bakshi for measurement and instrumentation](#) - Apr 03 2022

web electrical measurements and instrumentation uday a bakshi 2020 11 01 the importance of measuring instruments and transducers is well known in the various engineering fields the book provides comprehensive coverage of various electrical and electronic measuring instruments transducers data acquisition system storage and

electrical measurements and instrumentation bakshi u a - Nov 10 2022

web theory of measurement electrical and electronic instruments d c and a c potentiometers d c and a c bridges storage and display devices transducers data acquisition system

electronic measurements and instrumentation uday a - Jun 17 2023

web nov 1 2020 electronic measurements and instrumentation uday a bakshi late ajay v bakshi technical publications nov 1 2020 technology engineering 696 pages the importance of electronic

electrical measurements uday a bakshi late ajay v bakshi - Apr 15 2023

web nov 1 2020 the book provides comprehensive coverage of various electrical and digital measuring instruments the book starts with explaining the classification and requirements of a measuring

electrical measurements measuring instruments uday a - Mar 14 2023

web electrical measurements measuring instruments philosophy of measurement methods of measurement measurement system classification of instrument system characteristic of

[measurement and instrumentation by u a bakshi a v bakshi](#) - May 04 2022

web measurements and instrumentation lecture notes 30 tips to identify an engineering student anna university

measurements and instrumentation n measurement and instrumentation by u a bakshi a v electromagnetic theory lecture notes introduction turbo c and c for windows 7 32bit and 64bit principles of

measurements and instrumentation by u a bakshi goodreads - Aug 07 2022

web read reviews from the world s largest community for readers basic measurement concepts measurement systems static and dynamic characteristics units an

electrical measurements and instrumentation by u a bakshi - Sep 08 2022

web jan 1 2014 electrical measurements and instrumentation u a bakshi a v bakshi 5 00 1 rating0 reviews theory of measurement electrical and electronic instruments d c and a c potentiometers d c and a c bridges storage and display devices transducers data acquisition system 702 pages paperback published january 1

measurements and instrumentation by uday a bakshi late - Feb 13 2023

web measurements and instrumentation ebook written by uday a bakshi late ajay v bakshi read this book using google play books app on your pc android ios devices download for offline

measurements and instrumentation uday a bakshi late - Sep 20 2023

web nov 1 2020 the importance of measuring instruments is well known in the various engineering fields the book provides comprehensive coverage of various analog electronic and digital instruments d c

electronic measurements and instrumentation a v bakshi - May 16 2023

web electronic measurements and instrumentation a v bakshi u a bakshi technical publications 2008 569 pages theory of measurementperformance characteristics static dynamic standards

pdf electrical instrumentation by u a bakshi a v bakshi - Jul 06 2022

web download electrical instrumentation by u a bakshi a v bakshi k a bakshi measurement different types of ammeter and voltmeter instrument transformers measurement of power measurement of energy miscellaneous instruments and measurements frequency meter resistance measurement magnetic measurement

u a bakshi author of electronic measurements and - Dec 11 2022

web u a bakshi is the author of electronic measurements and instrumentation 3 64 avg rating 67 ratings 2 reviews switchgear and protection 3 96 avg ra

pdf electrical measurement measuring instruments by - Oct 09 2022

web the development of all measuring instruments like watt meter voltmeter ammeter requires some understanding of measuring instruments and their internal construction pdf electrical measurement measuring instruments by u a bakshi a v bakshi k a bakshi suddiyas nawaz academia edu

electrical measurements and instrumentation google play - Jan 12 2023

web electrical measurements and instrumentation uday a bakshi late ajay v bakshi nov 2020 technical publications ebook 700 pages 56 20 ebook free sample about this ebook arrow forward

measurements and instrumentation book u a bakshi - Jun 05 2022

web oct 13 2021 measurements and instrumentation book u a bakshi environmental science and engineering book anjal data structures using c isrd group tata mcgraw electronic device and circuits book u a bakshi electromagnetic theory book by u a bakshi a v bakshi electronic device and circuits book s salivahavan

measurement and instrumentation author bakshi - Feb 01 2022

web measurement instrumentation and sensors handbook john g webster 2017 12 19 the second edition of the bestselling measurement instrumentation and sensors handbook brings together all aspects of the design and implementation of measurement instrumentation and sensors reflecting the current state of the art it describes the use

user manual lexus rx 300 2000 english 523 pages - Dec 27 2021

web vehicles w e are proud of the advanced engineering and quality construction of each vehicle we build this owner s

manual explains the features of your new lexus please read it and follow the instructions carefully so that you can enjoy many years of safe motoring when it comes to service remember that your lexus dealer knows your vehicle

[repair manual 99 03 lexus rx300 lexus owners club of](#) - Oct 05 2022

web may 21 2007 done you have a file or files called rx repair manual pdf 1 file s waiting for download you can click on the following link to retrieve your file the link will expire in 7 days and will be available for 100 number of downloads

lexus rx 300 free workshop and repair manuals - Jul 14 2023

web lexus rx 300 workshop repair and owners manuals for all years and models free pdf download for thousands of cars and trucks

1998 2003 lexus rx300 mcu15 series workshop repair - Jan 08 2023

web 1998 2003 lexus rx300 mcu15 series workshop repair service manual best download 330mb pdf download link please download this pdf first to open the link 1998 2003 lexus rx300 mcu15 series workshop repair service manual best download 330mb pdf this highly detailed manual for your 1998 1999 2000 2001

lexus rx300 workshop repair manual download 2004 2007 - Sep 04 2022

web lexus rx300 2004 2007 workshop repair manual download official lexus rx300 manual used by all lexus main dealership garages mechanics and independent garages worldwide covers years 2004 2007 language english compatibility compatible with all operating systems and devices instant download

repair manuals manuals lexus lexus club - Dec 07 2022

web lexus rx 300 u140f automatic transaxle repair manual this repair manual covers disassembly inspection and assembly procedures for the automatic transaxle u140f applicable models lexus rx300 for on vehicle servicing inspection adjustment

[lexus rx 300 repair service manuals](#) - Apr 30 2022

web here s a non exhaustive list of what s covered lexus rx 300 service manual for roadside repairs lexus rx 300 owners manual covering weekly checks lexus rx 300 workshop manual covering lubricants fluids and tyre pressures lexus rx 300 service pdf s covering routine maintenance and servicing detailed lexus rx 300 engine and

lexus rx300 2001 owner s manual pdf download manualslib - Jun 01 2022

web page 335 the repair manual for rx300 written in english may be purchased as applicable from any lexus dealer areas covered include such things as spark plug replacement pub name 2001 rx300 repair manual valve clearance adjustment and

[lexus rx300 repair manual vehicle best repair manual](#) - Nov 06 2022

web lexus rx300 repair manual vehicle buy online pick up in store add your vehicle get an exact fit for your lexus rx300 year make model engine typeerror 1 4 of 4 results filter sort by price haynes vehicle repair manual 92095 part 92095 sku 876999 check if this fits your lexus rx300 1499 free in store pick up select store home delivery

2000 lexus rx 300 service repair manual and wiring diagram - Jan 28 2022

web 2000 lexus rx 300 service repair manual and wiring diagram this is a complete service manual contains all necessary instructions needed for any repair your vehicle may require it is the very same manual dealer technicians use to diagnose and repair your vehicle with applicable models mcu15 series contents

2000 lexus rx 300 workshop manual pdf 296 mb repair manuals - Aug 15 2023

web lexus rx xu10 300 repair manuals english 296 mb this is volume 1 of the lexus rx300 manual there are 3 volumes to this manual applicable models mcu15 series the manual is divided into 6 sections with a thumb index for

1999 lexus rx 300 repair manual pdf 34 mb lexus club - Jun 13 2023

web 1999 lexus rx 300 repair manual pdf 1999 lexus rx 300 1999 2000 engines lexus 3 0l v6 es300 rx300 to open this file use application adobe reader get adobe com uk reader repair manuals english lexus rx xu10 300 1999 lexus es xv20 300 34 mb 1 910 pages

toyota lexus rx300 factory repair manuals - Mar 30 2022

web 2003 lexus rx300 factory repair manuals all including rx 300 fwd rx 300 awd 2 volume set published by the toyota motor corporation covering specifications maintenance diagnosis testing in vehicle repairs component removal

can i view my vehicles owner s manual online lexus - Feb 26 2022

web sep 24 2022 yes you can view the owner s manual maintenance owner s manual and the navigation s owner s manual online at lexus drivers click here to search

the only rx300 repair manual you ll ever need for free - Apr 11 2023

web may 26 2010 posted may 26 2010 i won t post the link here because i don t know if it s copyrighted but go here and you ll see the manual filecrop com search php w lexus rx size i 0 size f 1048576 engine r 1 engine m 1 it s a 2 000 page repair manual pdf format which is directly from toyota

lexus rx 300 1999 2003 service repair manual pdf md github - Mar 10 2023

web complete service repair manual for 1999 2003 lexus rx 300 this is the same type of service manual your local dealer will use when doing a repair for your lexus rx 300 comes with highly detailed illustrations and step by step instructions download service repair manual for lexus rx 300 1999 2000 2001 2002 2003

1999 lexus rx300 repair manual 99 03 lexus rx300 lexus - Jul 02 2022

web jul 5 2021 53 first name christopher lexus model 1999 rx300 year 1999 posted december 12 2006 i combined all of the individual pdf files into one large file it s probably not in the right order but i didn t see a table of contents but

lexus es200 rx300 repair manual pdf for free - Aug 03 2022

web lexus es200 lexus rx300 a comprehensive lexus repair manual as well as a step by step manual for lexus operation and

maintenance this lexus repair manual includes the most voluminous data on diagnostic and repair operations of engine system components considered among other things fuel injection ignition starting and charging systems

lexus rx300 manual pdf download manualslib - May 12 2023

web view and download lexus rx300 manual online rx300 automobile pdf manual download

lexus rx300 1999 2019 haynes repair manuals guides - Feb 09 2023

web need to service or repair your lexus rx300 1999 2019 online and print formats available save time and money when you follow the advice of haynes master mechanics

just for its climate impact cape airport plan doesn't fly - Aug 30 2021

paragraph edits teaching resources teachers pay teachers - Dec 02 2021

web students use symbols to edit a simple paragraph for incorrect capitalization punctuation and missing words free writing worksheets grade 1 printable

daily paragraph editing rainbow resource - Aug 22 2023

web daily paragraph editing is designed to help students master and retain grade level skills in language mechanics and expression through focused daily practice

introduction to daily paragraph editing weebly - Jun 20 2023

web daily paragraph editing provide your students with award winning editing practice that fits into any school day the short activities in each daily paragraph editing title target

daily paragraph editing christianbook com - Jun 08 2022

web daily paragraph editing provides 36 weeks of frequent focused language practice to help your seventh graders learn the conventions of standard english grammar and usage

daily paragraph editing grade 8 teacher's edition e book - Aug 10 2022

web daily paragraph editing is a supplemental workbook series designed to help students master and retain grade appropriate editing skills daily worksheets are included

introduction to daily paragraph editing language advisor - Jul 21 2023

web jun 12 2004 the weekly four paragraph compositions cover a broad range of expository and narrative writing forms from across the curriculum including the following nonfi

daily paragraph editing grade 2 language advisor - Jan 03 2022

web daily paragraph editing a semester rubric d paragraph lail i lg essay dai y o lops con al y araorap c an arctssus arcrcssus con iting 4 tch aragrap il illg

[daily paragraph editing grade 2 8 teacher s edition](#) - Apr 06 2022

web use every day edits to build language skills test scores and cultural literacy be sure to see our tips for using every day edits in your classroom click on the month below for

[daily paragraph editing pennington publishing blog](#) - Apr 18 2023

web writing presumes more than simply laying out words on a paper typely helps you get in the mood and keeps you focused immersed and ready to write your story whether you

proofreading paragraphs printable worksheets super teacher - Jan 15 2023

web daily paragraph editing grade 8 provides 36 weeks of frequent focused language practice to help your eighth graders learn the conventions of standard english grammar and

daily paragraph writing teaching resources tpt - May 07 2022

web daily paragraph editing grade 5 covers grade level skills in these areas capitalization language usage punctuation apostrophes punctuation

free online proofreading and essay editor typely - Mar 17 2023

web proofreading editing worksheets printable proofreading worksheets for building grammar spelling and writing skills each file has a short paragraph on it students read carefully

daily paragraph editing grade 3 teacher edition evan moor - Dec 14 2022

web jan 1 2013 daily paragraph editing grade 8 provides 36 weeks of frequent focused language practice to help your eighth graders learn the conventions of standard english

homeschool writing curriculum with evan moor the joy of - Sep 11 2022

web jan 1 2004 daily paragraph editing grade 6 covers grade level skills in these areas capitalization language usage punctuation apostrophes punctuation commas

[skm c659mai20032410370 centuryacademy org](#) - Nov 01 2021

web 2 days ago in an era of daily climate devastation the climate impact of airport expansion belongs at the top of critiques not tucked away in the final paragraph the globe added

every day edits education world - Feb 04 2022

web daily paragraph editing grade 5 covers grade level skills in these areas capitalization language usage punctuation apostrophes punctuation

[daily paragraph editing grade 6 overdrive](#) - Jul 09 2022

web in this product you will find 20 paragraphs to be edited with room to rewrite correctly editing checklist answ subjects english language arts grammar writing

daily paragraph editing - May 19 2023

web dec 4 2016 the daily paragraph editing program is a short cut to teach language strand standards that can't possibly transfer to long term content and skills acquisition it

daily paragraph editing grade 8 by evan moor educational - Nov 13 2022

web jul 14 2021 daily paragraph editing provides targeted practice in grammar punctuation spelling and grade level language skills in short daily activities these skills lay a

editing paragraphs worksheets k5 learning - Sep 30 2021

daily paragraph editing kunkel kristen free - Feb 16 2023

web daily paragraph editing grade 3 covers grade level skills in these areas a reproducible student language handbook that provides simple clear rules and examples of their

daily paragraph editing grade 8 overdrive - Oct 12 2022

web daily paragraph editing grade 8 provides 36 weeks of frequent focused language practice to help your eighth graders learn the conventions of standard english grammar and

daily editing paragraphs teaching resources tpt - Mar 05 2022

web evan moor daily paragraph editing book designed for grade 2 focuses on skills such as capitalization language usage punctuation apostrophes punctuation commas