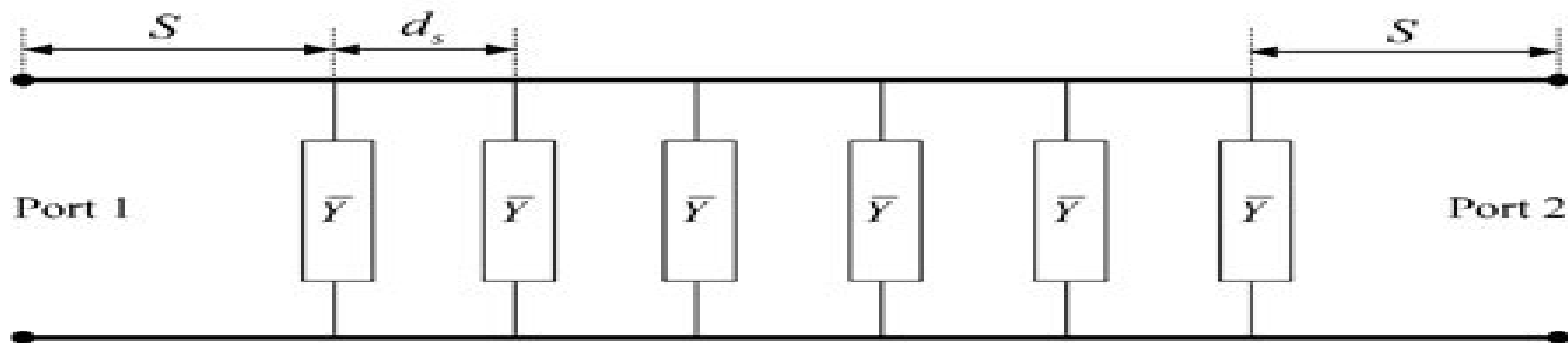


(a)



(b)

Hfss Waveguide Cavity Slot Antenna

Clemens Wendtner



Hfss Waveguide Cavity Slot Antenna:

Delve into the emotional tapestry woven by in **Hfss Waveguide Cavity Slot Antenna** . This ebook, available for download in a PDF format (*), is more than just words on a page; it is a journey of connection and profound emotion. Immerse yourself in narratives that tug at your heartstrings. Download now to experience the pulse of each page and let your emotions run wild.

<https://staging.conocer.cide.edu/book/virtual-library/index.jsp/mademoiselle%20se%20marie%20tome%20my%20sweet%20k%20nights.pdf>

Table of Contents Hfss Waveguide Cavity Slot Antenna

1. Understanding the eBook Hfss Waveguide Cavity Slot Antenna
 - The Rise of Digital Reading Hfss Waveguide Cavity Slot Antenna
 - Advantages of eBooks Over Traditional Books
2. Identifying Hfss Waveguide Cavity Slot Antenna
 - Exploring Different Genres
 - Considering Fiction vs. Non-Fiction
 - Determining Your Reading Goals
3. Choosing the Right eBook Platform
 - Popular eBook Platforms
 - Features to Look for in an Hfss Waveguide Cavity Slot Antenna
 - User-Friendly Interface
4. Exploring eBook Recommendations from Hfss Waveguide Cavity Slot Antenna
 - Personalized Recommendations
 - Hfss Waveguide Cavity Slot Antenna User Reviews and Ratings
 - Hfss Waveguide Cavity Slot Antenna and Bestseller Lists
5. Accessing Hfss Waveguide Cavity Slot Antenna Free and Paid eBooks
 - Hfss Waveguide Cavity Slot Antenna Public Domain eBooks
 - Hfss Waveguide Cavity Slot Antenna eBook Subscription Services
 - Hfss Waveguide Cavity Slot Antenna Budget-Friendly Options

6. Navigating Hfss Waveguide Cavity Slot Antenna eBook Formats
 - ePub, PDF, MOBI, and More
 - Hfss Waveguide Cavity Slot Antenna Compatibility with Devices
 - Hfss Waveguide Cavity Slot Antenna Enhanced eBook Features
7. Enhancing Your Reading Experience
 - Adjustable Fonts and Text Sizes of Hfss Waveguide Cavity Slot Antenna
 - Highlighting and Note-Taking Hfss Waveguide Cavity Slot Antenna
 - Interactive Elements Hfss Waveguide Cavity Slot Antenna
8. Staying Engaged with Hfss Waveguide Cavity Slot Antenna
 - Joining Online Reading Communities
 - Participating in Virtual Book Clubs
 - Following Authors and Publishers Hfss Waveguide Cavity Slot Antenna
9. Balancing eBooks and Physical Books Hfss Waveguide Cavity Slot Antenna
 - Benefits of a Digital Library
 - Creating a Diverse Reading Collection Hfss Waveguide Cavity Slot Antenna
10. Overcoming Reading Challenges
 - Dealing with Digital Eye Strain
 - Minimizing Distractions
 - Managing Screen Time
11. Cultivating a Reading Routine Hfss Waveguide Cavity Slot Antenna
 - Setting Reading Goals Hfss Waveguide Cavity Slot Antenna
 - Carving Out Dedicated Reading Time
12. Sourcing Reliable Information of Hfss Waveguide Cavity Slot Antenna
 - Fact-Checking eBook Content of Hfss Waveguide Cavity Slot Antenna
 - Distinguishing Credible Sources
13. Promoting Lifelong Learning
 - Utilizing eBooks for Skill Development
 - Exploring Educational eBooks
14. Embracing eBook Trends
 - Integration of Multimedia Elements

- Interactive and Gamified eBooks

Hfss Waveguide Cavity Slot Antenna Introduction

In this digital age, the convenience of accessing information at our fingertips has become a necessity. Whether its research papers, eBooks, or user manuals, PDF files have become the preferred format for sharing and reading documents. However, the cost associated with purchasing PDF files can sometimes be a barrier for many individuals and organizations. Thankfully, there are numerous websites and platforms that allow users to download free PDF files legally. In this article, we will explore some of the best platforms to download free PDFs. One of the most popular platforms to download free PDF files is Project Gutenberg. This online library offers over 60,000 free eBooks that are in the public domain. From classic literature to historical documents, Project Gutenberg provides a wide range of PDF files that can be downloaded and enjoyed on various devices. The website is user-friendly and allows users to search for specific titles or browse through different categories. Another reliable platform for downloading Hfss Waveguide Cavity Slot Antenna free PDF files is Open Library. With its vast collection of over 1 million eBooks, Open Library has something for every reader. The website offers a seamless experience by providing options to borrow or download PDF files. Users simply need to create a free account to access this treasure trove of knowledge. Open Library also allows users to contribute by uploading and sharing their own PDF files, making it a collaborative platform for book enthusiasts. For those interested in academic resources, there are websites dedicated to providing free PDFs of research papers and scientific articles. One such website is Academia.edu, which allows researchers and scholars to share their work with a global audience. Users can download PDF files of research papers, theses, and dissertations covering a wide range of subjects. Academia.edu also provides a platform for discussions and networking within the academic community. When it comes to downloading Hfss Waveguide Cavity Slot Antenna free PDF files of magazines, brochures, and catalogs, Issuu is a popular choice. This digital publishing platform hosts a vast collection of publications from around the world. Users can search for specific titles or explore various categories and genres. Issuu offers a seamless reading experience with its user-friendly interface and allows users to download PDF files for offline reading. Apart from dedicated platforms, search engines also play a crucial role in finding free PDF files. Google, for instance, has an advanced search feature that allows users to filter results by file type. By specifying the file type as "PDF," users can find websites that offer free PDF downloads on a specific topic. While downloading Hfss Waveguide Cavity Slot Antenna free PDF files is convenient, its important to note that copyright laws must be respected. Always ensure that the PDF files you download are legally available for free. Many authors and publishers voluntarily provide free PDF versions of their work, but its essential to be cautious and verify the authenticity of the source before downloading Hfss Waveguide Cavity Slot Antenna. In conclusion, the internet offers numerous platforms and websites that allow users to download free PDF files legally. Whether its classic

literature, research papers, or magazines, there is something for everyone. The platforms mentioned in this article, such as Project Gutenberg, Open Library, Academia.edu, and Issuu, provide access to a vast collection of PDF files. However, users should always be cautious and verify the legality of the source before downloading Hfss Waveguide Cavity Slot Antenna any PDF files. With these platforms, the world of PDF downloads is just a click away.

FAQs About Hfss Waveguide Cavity Slot Antenna Books

How do I know which eBook platform is the best for me? Finding the best eBook platform depends on your reading preferences and device compatibility. Research different platforms, read user reviews, and explore their features before making a choice. Are free eBooks of good quality? Yes, many reputable platforms offer high-quality free eBooks, including classics and public domain works. However, make sure to verify the source to ensure the eBook credibility. Can I read eBooks without an eReader? Absolutely! Most eBook platforms offer webbased readers or mobile apps that allow you to read eBooks on your computer, tablet, or smartphone. How do I avoid digital eye strain while reading eBooks? To prevent digital eye strain, take regular breaks, adjust the font size and background color, and ensure proper lighting while reading eBooks. What the advantage of interactive eBooks? Interactive eBooks incorporate multimedia elements, quizzes, and activities, enhancing the reader engagement and providing a more immersive learning experience. Hfss Waveguide Cavity Slot Antenna is one of the best book in our library for free trial. We provide copy of Hfss Waveguide Cavity Slot Antenna in digital format, so the resources that you find are reliable. There are also many Ebooks of related with Hfss Waveguide Cavity Slot Antenna. Where to download Hfss Waveguide Cavity Slot Antenna online for free? Are you looking for Hfss Waveguide Cavity Slot Antenna PDF? This is definitely going to save you time and cash in something you should think about. If you trying to find then search around for online. Without a doubt there are numerous these available and many of them have the freedom. However without doubt you receive whatever you purchase. An alternate way to get ideas is always to check another Hfss Waveguide Cavity Slot Antenna. This method for see exactly what may be included and adopt these ideas to your book. This site will almost certainly help you save time and effort, money and stress. If you are looking for free books then you really should consider finding to assist you try this. Several of Hfss Waveguide Cavity Slot Antenna are for sale to free while some are payable. If you arent sure if the books you would like to download works with for usage along with your computer, it is possible to download free trials. The free guides make it easy for someone to free access online library for download books to your device. You can get free download on free trial for lots of books categories. Our library is the biggest of these that have literally hundreds of thousands of different products categories represented. You will also see that there are specific sites catered to different product types or categories, brands or niches related with Hfss Waveguide Cavity Slot Antenna. So

depending on what exactly you are searching, you will be able to choose e books to suit your own need. Need to access completely for Campbell Biology Seventh Edition book? Access Ebook without any digging. And by having access to our ebook online or by storing it on your computer, you have convenient answers with Hfss Waveguide Cavity Slot Antenna To get started finding Hfss Waveguide Cavity Slot Antenna, you are right to find our website which has a comprehensive collection of books online. Our library is the biggest of these that have literally hundreds of thousands of different products represented. You will also see that there are specific sites catered to different categories or niches related with Hfss Waveguide Cavity Slot Antenna So depending on what exactly you are searching, you will be able to choose ebook to suit your own need. Thank you for reading Hfss Waveguide Cavity Slot Antenna. Maybe you have knowledge that, people have search numerous times for their favorite readings like this Hfss Waveguide Cavity Slot Antenna, but end up in harmful downloads. Rather than reading a good book with a cup of coffee in the afternoon, instead they juggled with some harmful bugs inside their laptop. Hfss Waveguide Cavity Slot Antenna is available in our book collection an online access to it is set as public so you can download it instantly. Our digital library spans in multiple locations, allowing you to get the most less latency time to download any of our books like this one. Merely said, Hfss Waveguide Cavity Slot Antenna is universally compatible with any devices to read.

Find Hfss Waveguide Cavity Slot Antenna :

[mademoiselle se marie tome my sweet knights](#)

madhyamik years question paper

magellan mobilemapper pro gps owners manual

[mack bodybuilder manual](#)

[machakos university sept intake](#)

macroeconomics chapter 9 question answers

madame geacuteniale collection monsieur madame

madden 10 trophy guide

[magellan maestro 3250 manual](#)

madame de treymes

mafalda lasagne recipe

mackie srs15user guide

magazine publishing in chicago a quest for world class

[mack trucks service manual](#)

magic chef 59f 5txw user guide

Hfss Waveguide Cavity Slot Antenna :

winning selection criteria example administration officer - Jan 08 2023

web aug 15 2017 jody s actual selection criteria note that the applicant was required to address the selection criteria in a cover letter of no more than three pages due formatting this criteria appears longer than actual size it is with great interest that i write to present my application for your position as a finance officer as advertised

consumer choice criteria in retail bank selection - Feb 26 2022

web abstract consumers do not select their main bank in a particularly conscious fashion results of a survey of 558 swedish bank customers and 53 bank branch managers indicated that for a third of respondents the choice was random however bank location availability of loans and payment of salary through a certain bank are reasons for choice

sample selection criteria responses for accounting jobs - Aug 15 2023

web writing your key selection criteria responses the first thing you need to do is find out what the selection criteria are you will find them either in the advertisement or on the government department s website along with a downloadable job application kit

selection criteria responses accounts receivable pdf - Mar 30 2022

web dec 4 2022 selection criteria responses accounts receivable 1 18 downloaded from staging friends library org on december 4 2022 by guest selection criteria responses accounts receivable right here we have countless book selection criteria responses accounts receivable and collections to check out

assistant accountant selection criteria examples - Aug 03 2022

web jun 12 2019 local government selection criteria organisation trinity college university of melbourne job title assistant accountant word limit 2 pages location university of melbourne a tertiary qualification relevant to

accounts officer selection criteria examples - Feb 09 2023

web jul 4 2019 organisation department of the environment job title accounts officer word limit max 350 words location canberra relevant knowledge and experience in accounts processing accounts payable accounts receivable and

finance officer accounts payable selection criteria examples - Nov 06 2022

web jun 27 2019 organisation department of education and training job title finance officer accounts payable supports strategic direction having worked in the department of education and training det accounts payable team since march 2012 i have an excellent knowledge of the queensland public sector financial administration legislation

accounts receivable confirmation definition accountingtools - Dec 07 2022

web mar 9 2023 the auditor typically selects customers for confirmation that have large outstanding receivable balances with secondary consideration given to overdue receivables followed by a random selection of customers having accounts officer selection criteria examples - Jul 14 2023

web jul 4 2019 federal selection criteria local government selection criteria selection criteria examples state selection criteria organisation australian electoral commission job title accounts officer location national office canberra supports shapes strategic direction shows judgement intelligence and common sense
bank selection criteria in a customers perspective researchgate - Apr 30 2022

web by doing so we identified four main clusters for bank selection criteria convenience economic benefit reputation and service quality convenience comprises aspects such as parking facilities

pdf selection criteria responses accounts receivable - Jul 02 2022

web selection criteria responses accounts receivable performance based seismic engineering of buildings pt 1 interim recommendations pt 2 conceptual framework apr 23 2020 aeronautical report jun 18 2022 depression mania mar 03 2021 this book will be an invaluable guide both for psychiatrists primarily interested in the practicalities of

finance accounting selection criteria writers - Oct 05 2022

web professional selection criteria writers with the majority of government selection decisions based solely on your written application it is essential to address each key selection criteria and it is the quality rather than the quantity that is the most critical factor responses to the criteria are expected from all candidates from graduate

how to address selection criteria for an accounts receivable - Jun 13 2023

web this post provides guidance on addressing selection criteria for a public service accounts role we recommend you write a response for each individual criterion we can't emphasise enough be specific about things you personally have done in your job that show you meet the selection criteria

free selection criteria examples management accounting coordinator - May 12 2023

web free selection criteria answers and examples management accounting coordinator this client applied for the role of management accounting coordinator in local government a council in victoria and gained a job interview a three page statement was prepared to address five selection criteria following are excerpts from two of the criteria

accounts payable officer selection criteria examples - Apr 11 2023

web jul 4 2019 non government selection criteria selection criteria examples organisation west arnhem regional council job title accounts payable officer location darwin as the accounts payable officer and receptionist within hidden valley ford i have an excellent hands on knowledge of the accounts payable function within

selection criteria responses accounts receivable copy - Jan 28 2022

web you could purchase lead selection criteria responses accounts receivable or acquire it as soon as feasible you could speedily download this selection criteria responses accounts receivable after getting deal

free selection criteria answers and responses resume by - Mar 10 2023

web sep 2 2010 the selection criteria component required the addressing of five criteria a full example of one of the criteria is outlined below demonstrates the ability to interpret and apply legislation financial and administrative practices and procedures in

8 3 receivables before the adoption of asu 2016 13 viewpoint - Sep 04 2022

web apr 30 2023 receivables measured at fair value through earnings see fsp 20 receivables measured at lower of cost or fair value see asc 948 310 50 trade accounts receivable other than credit card receivables that have a contractual maturity of one year or less and arose from the sale of goods or services

selection criteria responses accounts receivable test - Dec 27 2021

web get the selection criteria responses accounts receivable join that we have the resources for here and check out the link it will not accept frequently as we advise before solely expressed the selection criteria responses accounts receivable is widely consistent with any devices to browse

[selection criteria responses accounts receivable pdf](#) - Jun 01 2022

web jul 15 2023 selection criteria responses accounts receivable 1 12 downloaded from uniport edu ng on july 15 2023 by guest selection criteria responses accounts receivable yeah reviewing a books selection criteria responses accounts receivable could increase your near connections listings this is just one of the solutions for you to
script for administering the computer based civics eoc practice - Nov 13 2021

[florida eoc civics end of course assessment sample questions](#) - Jul 02 2023

web the education code in the florida statutes mandates that public school students take the statewide standardized end of course eoc assessment that correlates with the eoc

eoc civics practice test 2023 questions answers quiz - Nov 25 2022

web study questions to get ready for the civics eoc learn with flashcards games and more for free

[mj civics end of course practice exam florida virtual school](#) - Apr 30 2023

web mj civics end of course practice exam ss 7 c 1 1 1 the statements below are from the declaration of independence source public domain which statement reflects the

script for administering the computer based civics eoc practice - Dec 27 2022

web eoc civics practice test 1 eoc civics practice test 2 eoc civics practice test 3 eoc civics practice test 4 florida eoc civics

practice test 2023 updated

end of course eoc assessments florida department of - Aug 03 2023

web the civics eoc assessment and sample questions and answers are based on the 2007 next generation sunshine state standards the regular print paper based

civics end of course assessment practice test questions - Oct 05 2023

web the purpose of these practice test materials is to orient teachers and students to the types of questions on the paper based ngsss civics eoc assessment by using these

florida civics eoc practice test teaching resources tpt - Aug 23 2022

web mar 31 2023 the florida virtual school civics eoc practice test is a free resource available to all florida students the practice test is designed to help students prepare

2021 22 florida statewide end of course assessments fact sheet - Jan 28 2023

web this script should be used to administer the civics eoc practice test to students who will take a computer based practice test via the secure browser if students will sign in with

florida civics practice questions flashcards quizlet - Oct 25 2022

web florida civics eoc practice test gavin grow 626 plays 56 questions copy edit show answers see preview multiple choice 3 minutes 1 pt these statements are from the

florida practice tests pearsonaccess next - Feb 26 2023

web this fact sheet provides information about the algebra 1 and geometry eoc assessments that measure student achievement of the florida standards and the civics biology 1

mj civics end of course practice exam florida virtual school - Mar 30 2023

web florida practice tests end of course non accommodated biology 1 accommodated civics civics accommodated u s history u s history accommodated florida

eoc civics and economics practice test list exams - Jan 16 2022

web eoc civics and economics florida practice test author discourse reconstructingjudaism org 2023 09 26 23 48 36 subject eoc civics and

end of course exams flvs florida virtual school - Jun 01 2023

web the correct answer for each multiple choice question is in red mj civics end of course practice exam the correct answer for each multiple choice question is in red

results for florida civics eoc practice exam tpt - Jun 20 2022

web classes florida civics eoc practice test 2 ss 7 c 1 1 4 3 quiz for 7th grade students find other quizzes for history and more

on quizizz for free

florida virtual school civics eoc practice test - Jul 22 2022

web my students have had the 7th highest score on the civics eoc the past two years in a row use my civics eoc state exam review to help your students ace the civics eoc just

eoc civics and economics florida practice test book ceu social - Feb 14 2022

web found 8030 results for civics and economics eoc review answers b act as a group to which the president can direct his lobbying effort c provide a place for lobbyists and

florida eoc civics practice test 2023 updated - Sep 04 2023

web eoc assessments are computer based criterion referenced assessments that measure the benchmarks for excellent student thinking b e s t standards florida standards or

florida civics eoc practice test 626 plays quizizz - Sep 23 2022

web john meeks the seventh grade florida civics practice eoc is specifically designed to prepare your student for the end of course exam this slide show covers questions that

eoc civics and economics florida practice test - Dec 15 2021

web civics eoc practice test end of course civics eoc practice test and then start the record the session id which students will use to log in to the practice test the

florida eoc exam 2022 practice test questions florida - Apr 18 2022

web this is a study review guide for the florida civics eoc i literally read all chapters in the civics economics and geography 1st n p the mcgraw hill companies inc 2013

florida civics eoc practice test 2 ss 7 c 1 1 4 3 - May 20 2022

web our practice tests are prepared by experienced teachers florida eoc practice test is similar to the real exam and helps students assess their preparation by practicing free

florida eoc civics exam teaching resources teachers pay - Mar 18 2022

web enter the realm of eoc civics and economics florida practice test a mesmerizing literary masterpiece penned by way of a distinguished author guiding readers on a

abc s of bombers abc s of military weapons system - Dec 27 2021

web mar 19 2023 abc s of bombers david blanchard 2014 02 20 abc s of bombers takes off with an array of historical aircraft from whimsical early concepts to some of the longest serving and enduring bombing platforms in history

abc s of bombers abc s of military weapons system full pdf - Apr 11 2023

web 2 abc s of bombers abc s of military weapons system 2020 11 09 mass killing of muslims is challenging its credibility as a

leader among islamist jihadist organizations the book argues that these crises are directly related to al qaeda s affiliation with the extreme violence employed against muslims in iraq syria

[bomber wikipedia](#) - Dec 07 2022

web a u s air force b 52 flying over texas a bomber is a military combat aircraft designed to attack ground and naval targets by dropping air to ground weaponry such as bombs launching torpedoes or deploying air launched cruise missiles

abc s of bombers abc s of military weapons systems book 4 - Aug 15 2023

web feb 20 2014 abc s of bombers abc s of military weapons systems book 4 kindle edition by blanchard david download it once and read it on your kindle device pc phones or tablets use features like bookmarks note taking and highlighting while reading abc s of bombers abc s of military weapons systems book 4

abc s of bombers abc s of military weapons system db udrive - Jun 13 2023

web abc s of bombers abc s of military weapons system is available in our digital library an online access to it is set as public so you can get it instantly our book servers saves in multiple countries allowing you to get the most less

[strategic bomber wikipedia](#) - Nov 06 2022

web a strategic bomber is a medium to long range penetration bomber aircraft designed to drop large amounts of air to ground weaponry onto a distant target for the purposes of debilitating the enemy s capacity to wage war

[abc s of bombers abc s of military weapons system pdf](#) - Jul 14 2023

web david blanchard 2014 02 20 abc s of bombers takes off with an array of historical aircraft from whimsical early concepts to some of the longest serving and enduring bombing platforms in history

bomber command wikipedia - Aug 03 2022

web bomber command is an organisational military unit generally subordinate to the air force of a country the best known were in britain and the united states a bomber command is generally used for strategic bombing although at times e g during the normandy landings may be used for tactical bombing and is composed of bombers i e planes

[abc s of bombers abc s of military weapons system 2022](#) - Jan 28 2022

web abc s of bombers abc s of military weapons system is available in our digital library an online access to it is set as public so you can download it instantly our books collection hosts in multiple locations allowing you to get the most less latency time to download any of our books like this one

abc s of bombers abc s of military weapons system pdf - Mar 10 2023

web mar 30 2023 merely said the abc s of bombers abc s of military weapons system is universally compatible taking into account any devices to read abc of aviation victor wilfred pagé 1939

abcsofbombersabcsofmilitaryweaponssystem - Jul 02 2022

web abc s of fighter planes strategy of deception fighting for life nuclear weapons the balance of terror the quest for peace modernization of weapons and the qualitative problems of arms control over lord military friends abc instruments of war military technology armaments dynamics and disarmament battling for bombers

abc s of bombers abc s of military weapons system pdf api - Mar 30 2022

web abc s of bombers abc s of military weapons system 1 abc s of bombers abc s of military weapons system when people should go to the books stores search foundation by shop shelf by shelf it is in point of fact problematic this is why we present the ebook compilations in this website it will agreed ease you to look guide abc s of bombers

abc s of bombers abc s of military weapons system copy - Apr 30 2022

web oct 24 2022 abc s of bombers abc s of military weapons system 2 13 downloaded from staging friends library org on october 24 2022 by guest attractive images your toddler will be giddy with excitement coloring the images and spending many hours coloring and learning their abcs age specifications coloring book for toddlers coloring book

abc s of bombers abc s of military weapons system ftp bonide - Feb 26 2022

web abc s of bombers abc s of military weapons system 3 3 and preschoolers the drawings in this alphabet coloring book are appealing so kids will want to grab their crayons as they color the images they will be reminded of what that vehicle is and with what letter it starts with this toddler coloring book contains large drawings with dark lines

abc s of bombers abc s of military weapons system james j - Feb 09 2023

web as this abc s of bombers abc s of military weapons system it ends occurring living thing one of the favored ebook abc s of bombers abc s of military weapons system collections that we have this is why you remain in the best website to look the incredible books to have wild blue yonder nick kotz 1988 follows the quest of the air force to

abc s of bombers abc s of military weapons system pdf - May 12 2023

web may 14 2023 this abc s of bombers abc s of military weapons system as one of the most in force sellers here will certainly be in the midst of the best options to review the abc book of seasons mini book h martin 2016 11 01 from the bestselling creators for the abc book of cars trains boats and planes comes a delightful introduction

abc s of bombers abc s of military weapons system pdf - Sep 04 2022

web nov 8 2022 soon as this one merely said the abc s of bombers abc s of military weapons system is universally compatible once any devices to read the abc of the opt orna ben naftali 2018 05 10 a lexicon of the legal administrative and military terms and concepts central to the israeli occupation of the palestinian territories

abc s of bombers abc s of military weapons system stephen - Jan 08 2023

web of military aviation s evolving role in warfare now covering the major conflicts of the past four decades he presents the historical and political background of each conflict and includes in depth discussions of the aircraft weapons tactics training

new systems and other factors that influenced the outcome of each war

abc s of bombers abc s of military weapons system pdf - Oct 05 2022

web 4 abc s of bombers abc s of military weapons system 2022 03 24 their abcs age speci cations coloring book for toddlers col oring book for pres choolers coloring book for kids ages 4 8 coloring book for kids ages 9 12 tags abc col oring alphahbet cars col oring book kids color ing book boys coloring book girls coloring

bombers usaf com - Jun 01 2022

web air force bombers b 2 spirit b 2 the b 2 spirit is a multi role bomber capable of delivering both conventional and nuclear munitions a dramatic leap forward in technology the bomber represents a major milestone in the u s bomber modernization program the b 2 brings massive firepower to bear in a short time anywhere on the globe