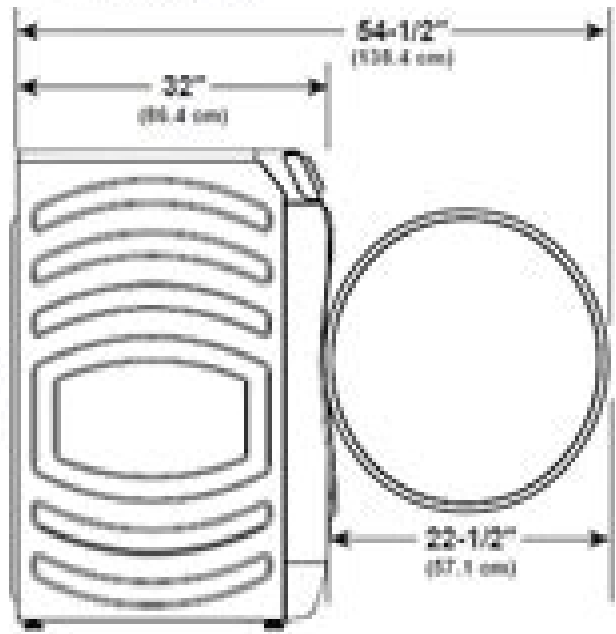


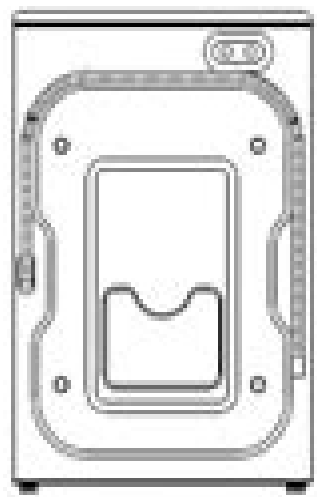
ADA Compliant



Front View



Side View



Back View

Ge Front Loader Washer Manual

Marcel A. Müller



Ge Front Loader Washer Manual:

Thank you for downloading **Ge Front Loader Washer Manual**. As you may know, people have search numerous times for their favorite novels like this Ge Front Loader Washer Manual, but end up in infectious downloads. Rather than reading a good book with a cup of tea in the afternoon, instead they juggled with some malicious virus inside their desktop computer.

Ge Front Loader Washer Manual is available in our digital library an online access to it is set as public so you can get it instantly.

Our digital library saves in multiple countries, allowing you to get the most less latency time to download any of our books like this one.

Merely said, the Ge Front Loader Washer Manual is universally compatible with any devices to read

<https://staging.conocer.cide.edu/About/browse/fetch.php/Kits%20Law.pdf>

Table of Contents Ge Front Loader Washer Manual

1. Understanding the eBook Ge Front Loader Washer Manual
 - The Rise of Digital Reading Ge Front Loader Washer Manual
 - Advantages of eBooks Over Traditional Books
2. Identifying Ge Front Loader Washer Manual
 - Exploring Different Genres
 - Considering Fiction vs. Non-Fiction
 - Determining Your Reading Goals
3. Choosing the Right eBook Platform
 - Popular eBook Platforms
 - Features to Look for in an Ge Front Loader Washer Manual
 - User-Friendly Interface
4. Exploring eBook Recommendations from Ge Front Loader Washer Manual
 - Personalized Recommendations

- Ge Front Loader Washer Manual User Reviews and Ratings
- Ge Front Loader Washer Manual and Bestseller Lists
- 5. Accessing Ge Front Loader Washer Manual Free and Paid eBooks
 - Ge Front Loader Washer Manual Public Domain eBooks
 - Ge Front Loader Washer Manual eBook Subscription Services
 - Ge Front Loader Washer Manual Budget-Friendly Options
- 6. Navigating Ge Front Loader Washer Manual eBook Formats
 - ePub, PDF, MOBI, and More
 - Ge Front Loader Washer Manual Compatibility with Devices
 - Ge Front Loader Washer Manual Enhanced eBook Features
- 7. Enhancing Your Reading Experience
 - Adjustable Fonts and Text Sizes of Ge Front Loader Washer Manual
 - Highlighting and Note-Taking Ge Front Loader Washer Manual
 - Interactive Elements Ge Front Loader Washer Manual
- 8. Staying Engaged with Ge Front Loader Washer Manual
 - Joining Online Reading Communities
 - Participating in Virtual Book Clubs
 - Following Authors and Publishers Ge Front Loader Washer Manual
- 9. Balancing eBooks and Physical Books Ge Front Loader Washer Manual
 - Benefits of a Digital Library
 - Creating a Diverse Reading Collection Ge Front Loader Washer Manual
- 10. Overcoming Reading Challenges
 - Dealing with Digital Eye Strain
 - Minimizing Distractions
 - Managing Screen Time
- 11. Cultivating a Reading Routine Ge Front Loader Washer Manual
 - Setting Reading Goals Ge Front Loader Washer Manual
 - Carving Out Dedicated Reading Time
- 12. Sourcing Reliable Information of Ge Front Loader Washer Manual
 - Fact-Checking eBook Content of Ge Front Loader Washer Manual

- Distinguishing Credible Sources
- 13. Promoting Lifelong Learning
 - Utilizing eBooks for Skill Development
 - Exploring Educational eBooks
- 14. Embracing eBook Trends
 - Integration of Multimedia Elements
 - Interactive and Gamified eBooks

Ge Front Loader Washer Manual Introduction

In the digital age, access to information has become easier than ever before. The ability to download Ge Front Loader Washer Manual has revolutionized the way we consume written content. Whether you are a student looking for course material, an avid reader searching for your next favorite book, or a professional seeking research papers, the option to download Ge Front Loader Washer Manual has opened up a world of possibilities. Downloading Ge Front Loader Washer Manual provides numerous advantages over physical copies of books and documents. Firstly, it is incredibly convenient. Gone are the days of carrying around heavy textbooks or bulky folders filled with papers. With the click of a button, you can gain immediate access to valuable resources on any device. This convenience allows for efficient studying, researching, and reading on the go. Moreover, the cost-effective nature of downloading Ge Front Loader Washer Manual has democratized knowledge. Traditional books and academic journals can be expensive, making it difficult for individuals with limited financial resources to access information. By offering free PDF downloads, publishers and authors are enabling a wider audience to benefit from their work. This inclusivity promotes equal opportunities for learning and personal growth. There are numerous websites and platforms where individuals can download Ge Front Loader Washer Manual. These websites range from academic databases offering research papers and journals to online libraries with an expansive collection of books from various genres. Many authors and publishers also upload their work to specific websites, granting readers access to their content without any charge. These platforms not only provide access to existing literature but also serve as an excellent platform for undiscovered authors to share their work with the world. However, it is essential to be cautious while downloading Ge Front Loader Washer Manual. Some websites may offer pirated or illegally obtained copies of copyrighted material. Engaging in such activities not only violates copyright laws but also undermines the efforts of authors, publishers, and researchers. To ensure ethical downloading, it is advisable to utilize reputable websites that prioritize the legal distribution of content. When downloading Ge Front Loader Washer Manual, users should also consider the potential security risks associated with online platforms. Malicious actors may exploit vulnerabilities in unprotected websites to distribute

malware or steal personal information. To protect themselves, individuals should ensure their devices have reliable antivirus software installed and validate the legitimacy of the websites they are downloading from. In conclusion, the ability to download Ge Front Loader Washer Manual has transformed the way we access information. With the convenience, cost-effectiveness, and accessibility it offers, free PDF downloads have become a popular choice for students, researchers, and book lovers worldwide. However, it is crucial to engage in ethical downloading practices and prioritize personal security when utilizing online platforms. By doing so, individuals can make the most of the vast array of free PDF resources available and embark on a journey of continuous learning and intellectual growth.

FAQs About Ge Front Loader Washer Manual Books

What is a Ge Front Loader Washer Manual PDF? A PDF (Portable Document Format) is a file format developed by Adobe that preserves the layout and formatting of a document, regardless of the software, hardware, or operating system used to view or print it. **How do I create a Ge Front Loader Washer Manual PDF?** There are several ways to create a PDF: Use software like Adobe Acrobat, Microsoft Word, or Google Docs, which often have built-in PDF creation tools. Print to PDF: Many applications and operating systems have a "Print to PDF" option that allows you to save a document as a PDF file instead of printing it on paper. Online converters: There are various online tools that can convert different file types to PDF. **How do I edit a Ge Front Loader Washer Manual PDF?** Editing a PDF can be done with software like Adobe Acrobat, which allows direct editing of text, images, and other elements within the PDF. Some free tools, like PDFescape or Smallpdf, also offer basic editing capabilities. **How do I convert a Ge Front Loader Washer Manual PDF to another file format?** There are multiple ways to convert a PDF to another format: Use online converters like Smallpdf, Zamzar, or Adobe Acrobat's export feature to convert PDFs to formats like Word, Excel, JPEG, etc. Software like Adobe Acrobat, Microsoft Word, or other PDF editors may have options to export or save PDFs in different formats. **How do I password-protect a Ge Front Loader Washer Manual PDF?** Most PDF editing software allows you to add password protection. In Adobe Acrobat, for instance, you can go to "File" -> "Properties" -> "Security" to set a password to restrict access or editing capabilities. Are there any free alternatives to Adobe Acrobat for working with PDFs? Yes, there are many free alternatives for working with PDFs, such as: LibreOffice: Offers PDF editing features. PDFsam: Allows splitting, merging, and editing PDFs. Foxit Reader: Provides basic PDF viewing and editing capabilities. How do I compress a PDF file? You can use online tools like Smallpdf, iLovePDF, or desktop software like Adobe Acrobat to compress PDF files without significant quality loss. Compression reduces the file size, making it easier to share and download. Can I fill out forms in a PDF file? Yes, most PDF viewers/editors like Adobe Acrobat, Preview (on Mac), or various online tools allow you to fill out forms in PDF files by selecting text fields and entering

information. Are there any restrictions when working with PDFs? Some PDFs might have restrictions set by their creator, such as password protection, editing restrictions, or print restrictions. Breaking these restrictions might require specific software or tools, which may or may not be legal depending on the circumstances and local laws.

Find Ge Front Loader Washer Manual :

[kits law](#)

king county street guide and directory

kiss for julie

kingdoms of kalamar villain design handbook dungeons dragons

king snohomish 1994

kingfishers gift

kitch triumph of a decent man

[king cole the dream and other poems](#)

kindling daily devotions for busy couples

king arthur chivalry & legend

kings donkey and other stories

[kissinger and the meaning of history](#)

king henry v

[king henrys palace](#)

kingfisher treasury of christmas stories

Ge Front Loader Washer Manual :

pearson education inc yumpu - Jun 01 2023

web mar 22 2013 clues vocabulary terms describes a reaction that releases energy to its surroundings a state in which the forward and reverse paths of a change take place at the same rate a substance that affects the reaction rate without being used up in the reaction a reaction in which a compound breaks down into two or more simpler substances a

science quiz chemistry chemical reactions ducksters - Feb 14 2022

web 10 question quiz for webquest or practice print a copy of this quiz at the chemistry chemical reactions webquest print page about this quiz all the questions on this quiz are based on information that can be found at chemistry chemical reactions

kids take a quiz on chemistry chemical reactions practice science problems online test and

answer key chapter 11 chemistry openstax - Jun 20 2022

web 4 1 writing and balancing chemical equations 4 2 classifying chemical reactions 4 3 reaction stoichiometry 4 4 reaction yields 4 5 quantitative chemical analysis key terms key equations summary exercises

types of chemical reactions video tutorial practice pearson - Nov 25 2022

web that types of chemical reactions are based on the changes react concern to go and the types of products formed not one type of chemical reaction are redox reactions in these types of chemical reactions we have the involvement

pearson education chapter 11 chemical reactions answers - Mar 18 2022

web mar 31 2023 what is pearson education chapter 11 chemical reactions answers is pearson education chapter 11 chemical reactions answers effective is pearson education chapter 11 chemical reactions answers suitable for all levels of chemistry students what are the key features of pearson education chapter 11 chemical

solutions video tutorial practice channels for pearson - Aug 23 2022

web how many moles of sodium ions are found in 10 0 ml of a 0 15 m solution of $\text{Na}_2\text{S}_2\text{O}_3$ how many ml of 5 0 m nitric acid HNO_3 are required to make 1 00 l of a 0 00100 m solution of HNO_3 approximately the concentration of acid in acid rain learn solutions with free step by step video explanations and practice problems by experienced tutors

balancing chemical equations video tutorial practice pearson - Jul 22 2022

web in this series of videos we re gonna take a look at balancing chemical equations when balancing always make sure the type and number of atoms on both sides of the arrow are equal we re going to say in a balanced equation the numbers that are in red are referred to as the coefficients

4 experiment 4 chemical reactions chemistry libretxts - Apr 18 2022

web libretxts page 4 chemical reactions chem libretxts org link 214153 the video says Cu_2SO_4 but the reaction shown in this video is between copper ii sulfate and sodium phosphate the video says Pb_2NO_3 but the reaction shown is between lead ii nitrate and sodium sulfide

solutions practice problems channels for pearson - Feb 26 2023

web 1 practice problem which of the following describes a colloid 2 practice problem when 8 0 g of propanol $\text{C}_3\text{H}_7\text{OH}$ is added to 8 0 g of ethanol CH_3CH_2

chemistry reading and study workbook 1st edition quizlet - Jul 02 2023

web with expert solutions for thousands of practice problems you can take the guesswork out of studying and move forward with confidence find step by step solutions and answers to chemistry reading and study workbook 9780132525886 as well as thousands of textbooks so you can move forward with confidence

answer key pearson education guset user flip pdf anyflip - Oct 05 2023

web just add answer key pearson education of guset user to my favorites embed answer key pearson education to websites for free check 70 flipbooks from guset user upload pdf to create a flipbook like answer key pearson education now

chemical reactions channels for pearson - Jan 28 2023

web in this video we re going to begin our lesson on chemical reactions and so chemical reactions consists of the making and or breaking of chemical bonds leading to changes in matter and every single chemical reaction has reacted

pearson chemistry 9780132525763 solutions and answers quizlet - Sep 04 2023

web find step by step solutions and answers to pearson chemistry 9780132525763 as well as thousands of textbooks so you can move forward with confidence

chem11pracprobkey yumpu - Aug 03 2023

web feb 19 2013 balancing chemical equations chemical equations are balanced to show that mass is conserved during chemical reactions a balanced equation shows the relative amounts of reactants and products and it contains equal numbers of each type of atom on both sides of the equation chemical equations are balanced by using coefficients in

chapter 11 chemical reactions experiment - Apr 30 2023

web chemical reactions define five general chemical reaction categories classify chemical reactions according to reaction categories write balanced chemical equations for each reaction advance preparation 0 1m copper ii sulfate 5 0 g cuso 4 5h 2o 200 ml water 0 1m lead ii nitrate 6 6 g pb no 3 2 200 ml water 0 1m potassium

m02 mari5326 12 se c02 indd page 24 13 09 16 11 38 pearson education - Oct 25 2022

web answer is simple your entire body is made up of chemicals thousands of them continuously interacting with one another at an incredible pace chemical reactions underlie all body pro cesses movement digestion the pumping of your heart and even your thoughts in this chapter we present the basics of chemistry and biochemis

chemical reactions and answerkey worksheets learny kids - May 20 2022

web displaying top 8 worksheets found for chemical reactions and answerkey some of the worksheets for this concept are chemical reactions work answer key identifying chemical reactions work answers balancing chemical equations work answers if8766 balancing chemical equations work 2 answer key chemical formulas equations work answers

pearson chemistry chapter 11 chemical reactions 11 1 11 2 quizlet - Mar 30 2023

web flashcards brianjacobsenq11 chemical equation a representation of the chemical reaction the formulas of the reactants are connected by an arrow with the formulas of the products skeleton equation a chemical equation that does not indicate the relative amounts of the reactants and products catalyst

pearson education chemical reactions answer key - Sep 23 2022

web nclex pn practice exam quick check answer key pearson june 22nd 2018 this chapter provides 200 practice questions with answers and explanations to help you prepare for the nclex pn exam

chemical reactions video tutorial practice channels for pearson - Dec 27 2022

web learn chemical reactions with free step by step video explanations and practice problems by experienced tutors

concours moniteur a c ducateur tout en un concours - Nov 11 2021

web concours moniteur a c ducateur tout en un concours the billionaire s heart the silver cross club 4 promise at dawn annales du sénat et du corps législatif l Éducation

concours moniteur a c ducateur tout en un concours - Mar 16 2022

web mar 1 2023 concours moniteur a c ducateur tout en un concours 2 5 downloaded from uniport edu ng on march 1 2023 by guest addressing the new challenges to sports

concours moniteur Éducateur Épreuves écrites et orales - Jun 30 2023

À l issue du concours le jury arrête une liste d aptitude établie par ordre alphabétique le recrutement sur liste d aptitude valable sur tout le territoire français see more

concours moniteur éducateur tout en un concours 2020 by eric - Aug 21 2022

web recognizing the mannerism ways to get this books concours moniteur a c ducateur tout en un concours is additionally useful you have remained in right site to begin

concours moniteur a c ducateur tout en un concours - Oct 23 2022

web concours moniteur a c ducateur tout en un concours omb no 8171032406564 edited by denisse albert culture wars concours moniteur éducateur le tout en

moniteur éducateur monitrice éducatrice onisep - Dec 25 2022

web les dates du concours de moniteur éducateur 2024 le concours de moniteur éducateur est déconcentré ce n est pas un concours national concrètement cela

concours moniteur a c ducateur tout en un concours copy - Jan 14 2022

web may 11 2023 concours moniteur a c ducateur tout en un concours 1 7 downloaded from uniport edu ng on may 11 2023 by guest concours moniteur a c ducateur tout

les concours moniteur éducateur et intervenant familial - Jan 26 2023

web concours moniteur a c ducateur tout en un concours recognizing the way ways to acquire this book concours moniteur a c ducateur tout en un concours is

concours moniteur éducateur présentation épreuves - Oct 03 2023

les moniteurs éducateurs territoriaux constituent un cadre d emplois social de catégorie b ce cadre d emplois ne comporte qu

un seul grade les moniteurs éducateurs territoriaux participent à la mise en oeuvre des projets sociaux éducatifs et thérapeutiques ils exercent leurs fonctions auprès see more

concours moniteur éducateur présentation épreuves - Apr 28 2023

web découvrez un extrait de l ouvrage concours moniteur Éducateur Épreuves écrites et orales cet ouvrage tout en un comporte 6 parties présentation du métier et des

concours moniteur a c ducateur tout en un concours florence - Jun 18 2022

web jun 4 2023 concours moniteur éducateur 2020 2021 tout en un by valérie le du béatrice peluau concours moniteur éducateur 2020 2021 tout en un by valérie le

concours moniteur a c ducateur tout en un concours copy - Nov 23 2022

web carrières publiques vous propose des dizaines de fiches pratiques pour tout connaitre des concours de la fonction publique programme épreuves dates carrières publiques

concours moniteur éducateur tout en un édition 2022 2023 - May 30 2023

web aug 18 2021 cet ouvrage s adresse aux candidats du concours moniteur éducateur me il propose une préparation complète toutes les épreuves résumé synthèse

concours moniteur éducateur 2022 2023 tout en un fnac - Aug 01 2023

il faut fournir une notice individuelle d inscription une demande d extrait de casier judiciaire n 2 un curriculum vitae la copie du diplôme ou du titre requis pour see more

concours moniteur a c ducateur tout en un concours 2023 - Dec 13 2021

web concours moniteur a c ducateur tout en un concours 1 concours moniteur a c ducateur tout en un concours is available in our book collection an online access to it

concours moniteur éducateur 2022 2023 tout en un - Sep 02 2023

il n existe qu un concours sur titres tout candidat doit posséder la nationalité française ou être ressortissant d un État membre de l union européenne ou d un see more

concours moniteur a c ducateur tout en un concours a - Mar 28 2023

web oct 8 2023 concours moniteur éducateur tout en un édition 2022 2023 par valérie le du béatrice peluau aux éditions dunod cet ouvrage s adresse aux candidats du

concours moniteur éducateur 2020 2021 tout en un by valérie - Jul 20 2022

web tout ce qu un candidat doit savoir pour réussir le concours de moniteur éducateur toutes les épreuves du concours de moniteur éducateur épreuves écrites

concours moniteur a c ducateur tout en un concours copy - Apr 16 2022

web aug 5 2023 concours moniteur a c ducateur tout en un concours below l opinion 1918 belgisch staatsblad belgium 1962
Конвенция О Признании Квалификаций

concours moniteur a c ducateur tout en un concours - Feb 12 2022

web jul 26 2023 this online broadcast concours moniteur a c ducateur tout en un concours can be one of the options to
accompany you bearing in mind having extra time it will not

concours moniteur a c ducateur tout en un concours copy - May 18 2022

web latency time to download any of our books bearing in mind this one merely said the concours moniteur a c ducateur tout
en un concours is universally compatible

concours moniteur a c ducateur tout en un concours lester - Sep 21 2022

web concours moniteur a c ducateur tout en un concours the divine comedy of dante alighieri nov 21 2020 l optimiste ou l
homme content de tout comédie en cinq actes

le concours de moniteur éducateur 2024 hupso - Feb 24 2023

web le grade des moniteurs éducateurs compte 11 échelons 1 an dans le 1er échelon 2 ans dans les 2e 3e 4e 5e 6e et 7e
échelons 3 ans dans les 8e 9e et 10e échelons le

ova orto verde animali florence facebook - Apr 30 2022

web ova orto verde animali florence italy 2 441 likes 4 talking about this 329 were here fattoria biologica a firenze toscana
italia passeggia nella nostra fattoria acquista le uova fre

la fattoria degli animali wikipedia - Aug 15 2023

web la fattoria degli animali animal farm è un romanzo allegorico di george orwell pubblicato per la prima volta il 17 agosto
1945 1 2 secondo orwell il libro riflette sugli eventi che portarono alla rivoluzione russa e successivamente all'era staliniana
dell'unione sovietica 3

animali della fattoria quali sono a cosa servono elenco e curiosità - Jun 13 2023

web aug 5 2019 animali da fattoria le 10 specie più diffuse sicuramente è difficile pensare a una fattoria nella quale possano
mancare mucca galline e maiali ma ci sono anche tanti altri animali tipici di questi luoghi come le pecore gli asini i cavalli le
capre e le oche

farmville 3 farm animals su app store - Jun 01 2022

web costruisci la più grande fattoria di animali dedicata ad allevamento e agricoltura crea la tua collezione di simpatici
animali scegliendo tra centinaia di tipi tra cui una mucca frisona un maiale yorkshire una capra rossa kalahari e una pecora
suffolk

farmerama gioca con la fattoria gratis online - Feb 09 2023

web occuparsi degli animali parlanti in un gioco online e condurre la fattoria online di farmerama in modo idilliaco la cosa suona affascinante datti subito da fare e aiuta gli animali di farmerama ad abbellire e rendere efficiente la

fauna restaurant İstanbul un en İyi İtalyan mutfağı - Feb 26 2022

web direy bir bölgede yaşayan hayvanların tamamına verilen isimdir makarna sosları kolay ve değişik 17 tarif fauna restaurant menüsü fauna restaurant ın zengin menüsünde çorba salata makarna ve tatlı çeşitleri yer alıyor

15 bellissimi agriturismi e fattorie didattiche con gli animali vicino - Mar 10 2023

web apr 13 2022 1 fattoria pasque il primo posto che dovete visitare se siete alla ricerca di fattorie e agriturismi con animali vicino milano è la fattoria pasqué situata nel comune di casale litta sulle colline verdi del lago di varese

animali della fattoria per bambini vocabolario per bambini - Jul 14 2023

web apr 14 2020 video educativi per bambini per imparare parole nuove sugli animali della fattoria come la mucca il cavallo la pecora l anatra il coniglio l asino la capra il cane il gatto e molti

la fattoria degli animali google - Sep 04 2022

web erişilebilirlikle ilgili geri bildirim seyahat keşfet

impariamo insieme i nomi degli animali della fattoria italiano e - Dec 27 2021

web dec 31 2020 impariamo insieme i nomi degli animali della fattoria italiano e inglese youtube 0 00 4 21 impariamo insieme i nomi degli animali della fattoria italiano e inglese detto fatto

animal farm trama e riassunto studenti it - Aug 03 2022

web nov 10 2020 animal farm fonte istock animal farm reso in italiano come la fattoria degli animali è uno dei due romanzi di george orwell insieme a 1984 con cui lo scrittore inglese ha raggiunto

anasayfa fauna - Nov 06 2022

web salı Çarşamba perşembe cuma cumartesi servisimiz 12 00 de başlıyor son müşteri kabul saatimiz 14 00 lütfen a şğıdaki veya instagram profilimizdeki linkten rezervasyon yapınız fauna rezervasyon 11 y aş altı çocuk ve evcil hayvanlarımızı kab ul edemeyeceğimizi ilet mek isteriz anlayışınız için çok teşekkür ederiz

home fattormia adotta i tuoi animali e le tue piante - Dec 07 2022

web scegli i tuoi animali e le tue piante guardali crescere prenditi cura di loro e godi dei tuoi prodotti condividendoli porta sempre con te il tuo angolo di campagna

animali della fattoria l elenco completo ed una breve descrizione - May 12 2023

web oct 1 2022 1 animali della fattoria la mucca 2 animali della fattoria la capra 3 animali della fattoria la pecora 4 animali della fattoria il maiale 5 animali della fattoria i volatili 5 1 il gallo 5 2 il pollo 5 3 la gallina 5 4 l oca 5 5 il tacchino 5 6 il fagiano 5 7 la faraona 6 animali della fattoria il cavallo 7 animali della

animali della fattoria quali sono caratteristiche ed elenco kodami - Apr 11 2023

web mar 20 2021 gli animali da fattoria comprendono tutti quegli animali che sono stati sottoposti a un lungo processo di domesticazione iniziato quando sono entrati in contatto con l'uomo che si è reso conto che poteva trarre vantaggio dall'allevarli un viaggio alla scoperta di cavalli asini mucche conigli e non solo

la fattoria degli animali riassunto e commento scuolazoo - Jan 28 2022

web 27 dicembre 2017 riassunto la fattoria degli animali la fattoria degli animali il cui titolo originale è animal farm è uno dei romanzi più famosi non solo di George Orwell ma anche della letteratura inglese e internazionale del novecento

gli animali della fattoria alexkidstv youtube - Jan 08 2023

web jun 28 2016 gli animali della fattoria alexkidstv youtube 0 00 4 33 gli animali della fattoria alexkidstv alexkidstv italiano 1 53m subscribers 15m views 7 years ago cartone animato

la fattoria degli animali roma tripadvisor - Mar 30 2022

web animali da fattoria integrati con qualche animale da zoo vedi cammelli domestici immersa nella splendida cornice di Castel Fusano animali ben tenuti schede informative sintetiche ma complete

vacanze in fattoria agriturismo svizzera - Oct 05 2022

web una vacanza in fattoria è un'esperienza per tutta la famiglia cavalcare dare da mangiare agli animali mungere le mucche accarezzare i pony guidare un trattore e molto altro offerte

animali della fattoria avi youtube - Jul 02 2022

web mar 22 2011 foto animali della fattoria immagini di animali nella fattoria fattorie didattiche agriturismi prodotti tipici e tanto altro vi aspettiamo bambiniinfatto