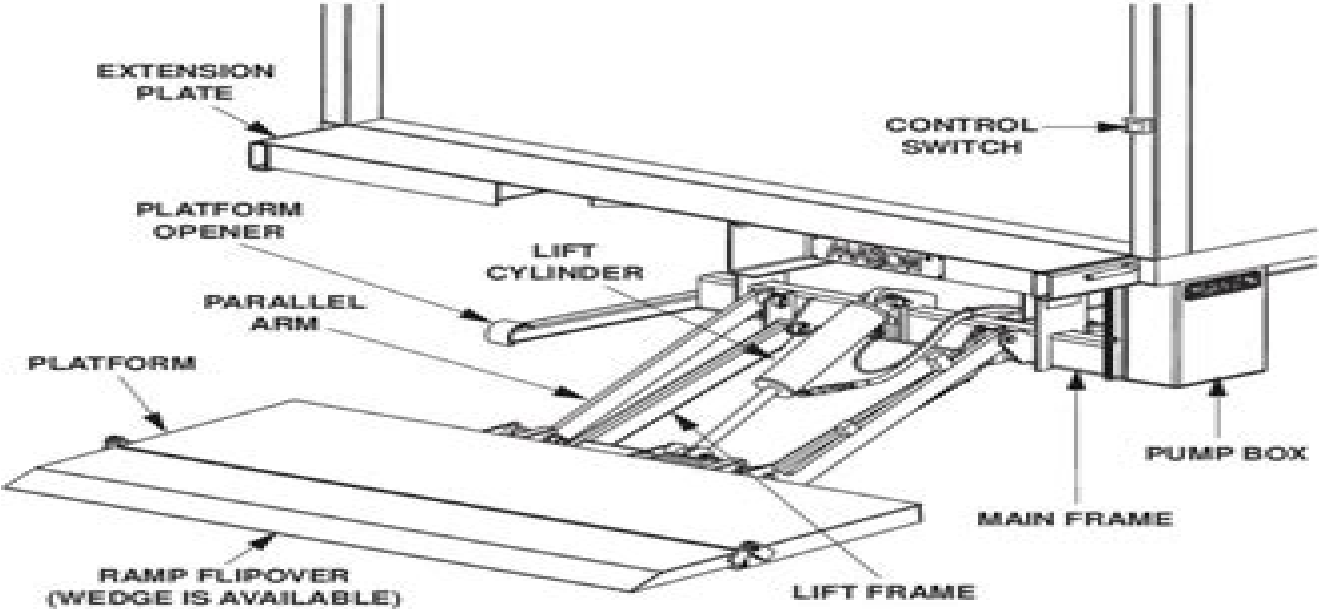


LIFTGATE TERMINOLOGY



11921 Slauson Ave. Santa Fe Springs, CA. 90670 (800) 227-4116 FAX (888) 771-7713



Maxon 2015 Series Liftgate Installation Manual

**Thirumalaisamy P.
Velavancorresponding**



Maxon 2015 Series Liftgate Installation Manual:

Unveiling the Magic of Words: A Review of "**Maxon 2015 Series Liftgate Installation Manual**"

In a world defined by information and interconnectivity, the enchanting power of words has acquired unparalleled significance. Their power to kindle emotions, provoke contemplation, and ignite transformative change is actually awe-inspiring. Enter the realm of "**Maxon 2015 Series Liftgate Installation Manual**," a mesmerizing literary masterpiece penned with a distinguished author, guiding readers on a profound journey to unravel the secrets and potential hidden within every word. In this critique, we shall delve into the book's central themes, examine its distinctive writing style, and assess its profound effect on the souls of its readers.

https://staging.conocer.cide.edu/public/Resources/fetch.php/Mayo_Clinic_Guide_To_Self_Care.pdf

Table of Contents Maxon 2015 Series Liftgate Installation Manual

1. Understanding the eBook Maxon 2015 Series Liftgate Installation Manual
 - The Rise of Digital Reading Maxon 2015 Series Liftgate Installation Manual
 - Advantages of eBooks Over Traditional Books
2. Identifying Maxon 2015 Series Liftgate Installation Manual
 - Exploring Different Genres
 - Considering Fiction vs. Non-Fiction
 - Determining Your Reading Goals
3. Choosing the Right eBook Platform
 - Popular eBook Platforms
 - Features to Look for in an Maxon 2015 Series Liftgate Installation Manual
 - User-Friendly Interface
4. Exploring eBook Recommendations from Maxon 2015 Series Liftgate Installation Manual
 - Personalized Recommendations
 - Maxon 2015 Series Liftgate Installation Manual User Reviews and Ratings
 - Maxon 2015 Series Liftgate Installation Manual and Bestseller Lists

5. Accessing Maxon 2015 Series Liftgate Installation Manual Free and Paid eBooks
 - Maxon 2015 Series Liftgate Installation Manual Public Domain eBooks
 - Maxon 2015 Series Liftgate Installation Manual eBook Subscription Services
 - Maxon 2015 Series Liftgate Installation Manual Budget-Friendly Options
6. Navigating Maxon 2015 Series Liftgate Installation Manual eBook Formats
 - ePub, PDF, MOBI, and More
 - Maxon 2015 Series Liftgate Installation Manual Compatibility with Devices
 - Maxon 2015 Series Liftgate Installation Manual Enhanced eBook Features
7. Enhancing Your Reading Experience
 - Adjustable Fonts and Text Sizes of Maxon 2015 Series Liftgate Installation Manual
 - Highlighting and Note-Taking Maxon 2015 Series Liftgate Installation Manual
 - Interactive Elements Maxon 2015 Series Liftgate Installation Manual
8. Staying Engaged with Maxon 2015 Series Liftgate Installation Manual
 - Joining Online Reading Communities
 - Participating in Virtual Book Clubs
 - Following Authors and Publishers Maxon 2015 Series Liftgate Installation Manual
9. Balancing eBooks and Physical Books Maxon 2015 Series Liftgate Installation Manual
 - Benefits of a Digital Library
 - Creating a Diverse Reading Collection Maxon 2015 Series Liftgate Installation Manual
10. Overcoming Reading Challenges
 - Dealing with Digital Eye Strain
 - Minimizing Distractions
 - Managing Screen Time
11. Cultivating a Reading Routine Maxon 2015 Series Liftgate Installation Manual
 - Setting Reading Goals Maxon 2015 Series Liftgate Installation Manual
 - Carving Out Dedicated Reading Time
12. Sourcing Reliable Information of Maxon 2015 Series Liftgate Installation Manual
 - Fact-Checking eBook Content of Maxon 2015 Series Liftgate Installation Manual
 - Distinguishing Credible Sources
13. Promoting Lifelong Learning

- Utilizing eBooks for Skill Development
 - Exploring Educational eBooks
14. Embracing eBook Trends
- Integration of Multimedia Elements
 - Interactive and Gamified eBooks

Maxon 2015 Series Liftgate Installation Manual Introduction

In today's digital age, the availability of Maxon 2015 Series Liftgate Installation Manual books and manuals for download has revolutionized the way we access information. Gone are the days of physically flipping through pages and carrying heavy textbooks or manuals. With just a few clicks, we can now access a wealth of knowledge from the comfort of our own homes or on the go. This article will explore the advantages of Maxon 2015 Series Liftgate Installation Manual books and manuals for download, along with some popular platforms that offer these resources. One of the significant advantages of Maxon 2015 Series Liftgate Installation Manual books and manuals for download is the cost-saving aspect. Traditional books and manuals can be costly, especially if you need to purchase several of them for educational or professional purposes. By accessing Maxon 2015 Series Liftgate Installation Manual versions, you eliminate the need to spend money on physical copies. This not only saves you money but also reduces the environmental impact associated with book production and transportation. Furthermore, Maxon 2015 Series Liftgate Installation Manual books and manuals for download are incredibly convenient. With just a computer or smartphone and an internet connection, you can access a vast library of resources on any subject imaginable. Whether you're a student looking for textbooks, a professional seeking industry-specific manuals, or someone interested in self-improvement, these digital resources provide an efficient and accessible means of acquiring knowledge. Moreover, PDF books and manuals offer a range of benefits compared to other digital formats. PDF files are designed to retain their formatting regardless of the device used to open them. This ensures that the content appears exactly as intended by the author, with no loss of formatting or missing graphics. Additionally, PDF files can be easily annotated, bookmarked, and searched for specific terms, making them highly practical for studying or referencing. When it comes to accessing Maxon 2015 Series Liftgate Installation Manual books and manuals, several platforms offer an extensive collection of resources. One such platform is Project Gutenberg, a nonprofit organization that provides over 60,000 free eBooks. These books are primarily in the public domain, meaning they can be freely distributed and downloaded. Project Gutenberg offers a wide range of classic literature, making it an excellent resource for literature enthusiasts. Another popular platform for Maxon 2015 Series Liftgate Installation Manual books and manuals is Open Library. Open Library is an initiative of the Internet Archive, a non-profit organization dedicated to digitizing cultural artifacts and making them accessible to the public. Open

Library hosts millions of books, including both public domain works and contemporary titles. It also allows users to borrow digital copies of certain books for a limited period, similar to a library lending system. Additionally, many universities and educational institutions have their own digital libraries that provide free access to PDF books and manuals. These libraries often offer academic texts, research papers, and technical manuals, making them invaluable resources for students and researchers. Some notable examples include MIT OpenCourseWare, which offers free access to course materials from the Massachusetts Institute of Technology, and the Digital Public Library of America, which provides a vast collection of digitized books and historical documents. In conclusion, Maxon 2015 Series Liftgate Installation Manual books and manuals for download have transformed the way we access information. They provide a cost-effective and convenient means of acquiring knowledge, offering the ability to access a vast library of resources at our fingertips. With platforms like Project Gutenberg, Open Library, and various digital libraries offered by educational institutions, we have access to an ever-expanding collection of books and manuals. Whether for educational, professional, or personal purposes, these digital resources serve as valuable tools for continuous learning and self-improvement. So why not take advantage of the vast world of Maxon 2015 Series Liftgate Installation Manual books and manuals for download and embark on your journey of knowledge?

FAQs About Maxon 2015 Series Liftgate Installation Manual Books

How do I know which eBook platform is the best for me? Finding the best eBook platform depends on your reading preferences and device compatibility. Research different platforms, read user reviews, and explore their features before making a choice. Are free eBooks of good quality? Yes, many reputable platforms offer high-quality free eBooks, including classics and public domain works. However, make sure to verify the source to ensure the eBook credibility. Can I read eBooks without an eReader? Absolutely! Most eBook platforms offer web-based readers or mobile apps that allow you to read eBooks on your computer, tablet, or smartphone. How do I avoid digital eye strain while reading eBooks? To prevent digital eye strain, take regular breaks, adjust the font size and background color, and ensure proper lighting while reading eBooks. What the advantage of interactive eBooks? Interactive eBooks incorporate multimedia elements, quizzes, and activities, enhancing the reader engagement and providing a more immersive learning experience. Maxon 2015 Series Liftgate Installation Manual is one of the best book in our library for free trial. We provide copy of Maxon 2015 Series Liftgate Installation Manual in digital format, so the resources that you find are reliable. There are also many Ebooks of related with Maxon 2015 Series Liftgate Installation Manual. Where to download Maxon 2015 Series Liftgate Installation Manual online for free? Are you looking for Maxon 2015 Series Liftgate Installation Manual PDF? This is definitely going to save you time and cash in something you should think about.

Find Maxon 2015 Series Liftgate Installation Manual :

mayo clinic guide to self care

mazda 3 7500 mile service

mazda 5 quick reference guide

mazatrol 640m manual

mazda 626 station wagon 1997 2002 repair service manual

mazda 323 repair manual 2001

maytag dryer belt repair instructions

maytag gemini double oven cleaning instructions

maytag lse7806ace washers owners manual

maytag epic z error codes

mazda 3 pcm wiring diagram

mazak operating manual for mazatrol programming

mazda 323 sport for sale

maytag washer owners manual

maytag mdb 5 service manual

Maxon 2015 Series Liftgate Installation Manual :

bilangan berpangkat dan bentuk akar pengertian sifat contoh - Feb 10 2023

web rumus bilangan berpangkat adalah a^n sebanyak n kali jenis bilangan berpangkat ada beberapa jenis bilangan berpangkat yang paling sering dibahas yaitu bilangan berpangkat positif bilangan berpangkat negatif dan bilangan berpangkat nol 0 bilangan berpangkat positif

cara mengerjakan soal operasi bilangan berpangkat kompas com - May 13 2023

web jul 17 2023 kompas com dikutip dari buku super complete rumus matematika ipa smp mts kelas 7 8 9 2019 oleh elis khoerunnisa dan arinta bilangan berpangkat atau perpangkatan adalah perkalian berulang dengan bilangan sama

cara menyelesaikan operasi perpangkatan pada bentuk aljabar - Mar 31 2022

web aug 27 2018 tahukah kamu setiap perkalian berulang dapat ditulis secara ringkas dengan menggunakan notasi

bilangan berpangkat seperti di bawah ini 5^2 dibaca 5 pangkat 2 nah jadi jawabannya sudah pada tahu ya yaitu $5^2 = 5 \times 5 = 25$

orang anak

pengertian bilangan berpangkat lengkap dengan rumus sifat - Jul 15 2023

web nov 20 2022 rumus bilangan berpangkat rumus bilangan berpangkat yang dimaksud adalah bentuk umum bilangan yang dipangkatkan adapun bentuk umumnya adalah sebagai berikut a^b dengan a dan b dari rumus di atas a disebut sebagai basis atau bilangan pokok dasar dan b adalah pangkat atau eksponen

eksponen bilangan berpangkat pengertian sifat contoh - Aug 16 2023

web jun 24 2022 1 pangkat penjumlahan jika ada perkalian eksponen dengan basis yang sama maka pangkatnya harus ditambah bisa dituliskan sebagai berikut $a^m \times a^n = a^{m+n}$ contoh $2^4 \times 2^2 = 2^6 = 64$ 2 pangkat pengurangan jika ada pembagian eksponen dengan basis yang sama maka pangkatnya harus dikurang bisa dituliskan sebagai

rumus bilangan berpangkat materipintar com - Mar 11 2023

web sep 1 2023 rumus bilangan berpangkat digunakan untuk menghitung hasil dari operasi tersebut dalam rumus ini bilangan pokok akan dipangkatkan dengan eksponen dan hasilnya akan diperoleh secara umum rumus bilangan berpangkat dapat dituliskan sebagai bilangan pokok eksponen hasil di mana bilangan pokok adalah bilangan

[cara menghitung pangkat sifat dan tabel perpangkatan](#) - Oct 06 2022

web jika p merupakan bilangan pokok dan m dan n merupakan pangkat dengan p m dan n merupakan bilangan real berlaku catatan sifat khusus berikut berlaku pada operasi antar bilangan berpangkat apabila bilangan pokok masing masing bernilai sama $p^m \times p^n = p^{m+n}$ contoh $3^2 \times 3^4 = 3^6 = 729$

bilangan berpangkat jenis sifat operasi hitung soal - Apr 12 2023

web operasi hitung bilangan berpangkat 1 sifat perkalian bilangan berpangkat 2 sifat pembagian bilangan berpangkat 3 sifat perpangkatan bilangan berpangkat 4 sifat perpangkatan suatu perkalian dua bilangan 5 sifat

rumus operasi bilangan berpangkat berotak - Jan 09 2023

web mar 2 2023 rumus operasi bilangan berpangkat rumus operasi bilangan berpangkat adalah $a^n = \underbrace{a \times a \times \dots \times a}_n$ sebanyak n kali dalam rumus tersebut a adalah bilangan yang dioperasikan n adalah pangkat bilangan dan tanda sering digunakan untuk menunjukkan pangkat misalnya 2 pangkat 3 dapat ditulis sebagai 2^3

matematika smp bilangan berpangkat 1 youtube - Dec 28 2021

web jul 23 2019 legurules matematikasmp kurikulummerdeka video kali ini membahas materi matematika smp kurikulum merdeka bilangan berpangkat 1 bilangan berpangkat pos

[rumus rumus pangkat maths id](#) - Jun 14 2023

web salah satu rumus yang perlu dipahami dipahami dalam belajar matematika adalah rumus pangkat eksponen mari kita bahas beberapa rumus terkait konsep pangkat atau eksponen perkalian bilangan berpangkat perhatikan perkalian dua bilangan berpangkat berikut $2^3 \times 2^4$

kelas pintar - May 01 2022

web operasi bilangan berpangkat seperti yang sudah disebutkan bilangan berpangkat adalah sebuah cara penyebutan sederhana bagi perkalian berulang sedangkan itu operasi bilangan berpangkat adalah cara menghitungnya bilangan berpangkat juga memiliki jenis jenis tertentu yang akan dibagi menjadi 3 jenis yaitu positif nol maupun

[bilangan berpangkat pengertian sifat operasi dan contoh soal](#) - Aug 04 2022

web operasi bilangan berpangkat dalam operasi bilangan berpangkat terdapat aturan yang perlu diperhatikan yaitu perkalian dan pembagian aturan perkalian berhubungan dengan bentuk penjumlahan sedangkan aturan pembagian berkaitan dengan bentuk pengurangan berikut operasi dan contoh soal dari bilangan berpangkat

rumus penjumlahan bilangan berpangkat beserta contoh soal - Jul 03 2022

web oct 8 2021 rumus penjumlahan bilangan berpangkat beserta contoh soal dalam pembahasan rumus penjumlahan pangkat ini terdapat beberapa hal yang dijelaskan seperti penjumlahan bilangan berpangkat positif pangkat pecahan bilangan berpangkat negatif dan penjumlahan bilangan berpangkat sama

[bilangan berpangkat jenis sifat dan contohnya kompas com](#) - Jun 02 2022

web mar 11 2022 bilangan berpangkat ini dapat dinyatakan dengan rumus sebagai berikut $a \times a \times a \times a$ sebanyak n berdasarkan uraian di atas bilangan berpangkat adalah bentuk perkalian berulang dari suatu bilangan yang sama jenis jenis bilangan berpangkat tahukah kamu jenis jenis bilangan berpangkat apakah bilangan

bilangan berpangkat pinhome - Feb 27 2022

web apr 13 2023 rumus bilangan berpangkat jenis jenis bilangan berpangkat 1 bilangan berpangkat positif 2 bilangan berpangkat negatif 3 bilangan berpangkat nol 0 sifat sifat bilangan berpangkat 1 pangkat bulat positif 2 pangkat bulat negatif 3 pangkat nol 4 sifat pangkat bilangan bukat positif 5 pangkat pecahan operasi

bilangan berpangkat pengertian sifat operasi contoh soal - Dec 08 2022

web untuk bilangan berpangkat positif itu sendiri memiliki beberapa sifat tertentu dimana bilangannya terdiri atas a b sebagai bilangan real dan m n adalah bilangan bulat positif adapun sifat sifat khusus yang dimiliki oleh bilangan berpangkat positif adalah sebagai berikut $a^m \times a^n = a^{m+n}$ $a^m \div a^n = a^{m-n}$ berlaku untuk m n serta $b \neq 0$

sifat bilangan berpangkat beserta pengertiannya dalam matematika rumus - Nov 07 2022

web aug 4 2023 sifat bilangan berpangkat bilangan berpangkat merupakan salah satu cabang ilmu matematis yang dipelajari sejak kita duduk di bangku sekolah dasar dan merupakan bentuk kelanjutan dari operasi hitung yang terdiri dari penjumlahan pengurangan pembagian dan perkalian

bilangan berpangkat rumus dan contoh soal serta pembahasannya - Sep 05 2022

web aug 2 2021 rumus bilangan berpangkat contoh soal bilangan berpangkat dengan penjelasan unsplash com eksponen

sebagaimana yang sudah dijelaskan sebelumnya adalah suatu bilangan yang menunjukkan seberapa kali bilangan itu dikalikan dengan bilangannya sendiri misalnya 2 2 2 2 dapat ditulis sebagai 2⁴ karena 2 dikalikan

pengertian operasi rumus dan jenis jenis bilangan berpangkat - Jan 29 2022

web may 25 2016 bilangan berpangkat merupakan suatu bilangan yang akan dikali berulang kali sesuai dengan pangkat yang ia miliki misal pada bilangan an berarti a dikali berulang kali sebanyak n contoh 6³ 6 x 6 x 6 196 inilah

this man confessed p2 indd orion books pdf gcca eu - Jun 24 2022

web right here we have countless book this man confessed p2 indd orion books pdf and collections to check out we additionally have enough money variant types and furthermore type of the books to browse the usual book fiction history novel scientific research as competently as various new sorts of books are readily reachable here

this man confessed p2 indd orion books files climagic - Jul 06 2023

web book review in the tradition of the invisible bridge and the weight of ink a vibrant page turning family mystery jennifer cody epstein author of wunderland about a writer who discovers the truth about his mother s wartime years in amsterdam unearthing a shocking secret that becomes

this man confessed p2 indd orion books pdf vpn coinext com - Sep 27 2022

web the man from the train identity crisis the spanish love deception beyond this moment timber ridge reflections book 2 autobiography of mark twain doctor dolittle the complete collection vol 2 mansions of the heart this man confessed p2 indd orion books omb no 6059644390282 edited by tessa middleton house on endless

this man confessed p2 indd orion books copy design bluesquare - Mar 02 2023

web this man confessed p2 indd orion books downloaded from design bluesquare org by guest bronson khan the history of the church simon and schuster a wedding a trip to spain the most infuriating man and three days of pretending or in other words a plan that will never work catalina martín finally not single her family is happy to

this man confessed this man 3 book discussion goodreads - Dec 31 2022

web aug 4 2018 browse recommendations choice awards genres giveaways new releases genres

this man confessed p2 indd orion books - Aug 27 2022

web this man confessed p2 indd orion books author leadership kingsley edu my 2023 10 29 04 51 49 subject this man confessed p2 indd orion books keywords this man confessed p2 indd orion books created date 10 29 2023 4 51 49 am

[this man confessed p2 indd orion books pdf full pdf](#) - Feb 01 2023

web structural roots in modernity capitalism state domination and masculinist values the book presents views and practices from around the world in a collective search for an ecologically and socially just world the everything classical mythology book

[read manga i confessed to the boss s2manga](#) - Mar 22 2022

web may 28 2022 i confessed to the boss summary openly workplace romance openly dating outspokenly in house love everyone loves mr perfect team leader

[this man confessed p2 indd orion books pdf pdf](#) - Jul 26 2022

web jun 28 2023 the soft documents of this this man confessed p2 indd orion books pdf by online you might not require more become old to spend to go to the ebook establishment as with ease as search for them in some cases you likewise realize not discover the message this man confessed p2 indd orion books pdf that you are looking for it will

[this man confessed p2 indd orion books 2023](#) - Apr 03 2023

web barrage of sound and distractions however located within the lyrical pages of this man confessed p2 indd orion books a charming perform of fictional beauty that pulses with fresh emotions lies an remarkable journey waiting to be embarked upon composed by a virtuoso wordsmith that interesting

[this man confessed p2 indd orion books test prconvention](#) - May 24 2022

web as you may know people have look numerous times for their chosen novels like this this man confessed p2 indd orion books but end up in malicious downloads rather than enjoying a good book with a cup of coffee in the afternoon instead they juggled with some infectious virus inside their desktop computer

this man confessed p2 indd orion books pdf 2023 - Jan 20 2022

web within the pages of this man confessed p2 indd orion books pdf an enthralling opus penned by a very acclaimed wordsmith readers attempt an immersive expedition to unravel the intricate significance of language and its indelible imprint on our lives throughout this assessment we shall delve to the book is central motifs appraise its

the confession 2002 film wikipedia - Feb 18 2022

web 100 minutes country turkey language turkish the confession turkish İtiraf is a 2002 turkish drama film directed by zeki demirkubuz it was screened in the un certain regard section at the 2002 cannes film festival 1

[this man confessed by jodi ellen malpas orion bringing you](#) - Sep 08 2023

web dec 5 2013 the books featured on this site are aimed primarily at readers aged 13 or above and therefore you must be 13 years or over to sign up to our newsletter please tick this box to indicate that you re 13 or over

this man confessed p2 indd orion books pdf db csda - Aug 07 2023

web this man confessed p2 indd orion books downloaded from db csda org by guest uriel kenzie mansions of the heart simon and schuster brings together the growing amount of evidence on the assessment and treatment of offenders with intellectual and developmental disabilities written by a team of international experts this comprehensive and

this man confessed p2 indd orion books pdf download only - Jun 05 2023

web why men confess o john rogge 2003 01 01 confession all eddie trask 2020 09 14 eddie trask was a normal guy a nice normal guy a remarkable façade many would say a christian then god confronted him this encounter began an excruciating journey that plunged trask to the depths of his psyche

this man confessed jodi ellen malpas google books - Oct 09 2023

web sep 5 2013 this man confessed jodi ellen malpas orion sep 5 2013 fiction 432 pages addictive dangerous your guiltiest pleasure yet the thrilling climax to the trilogy the very place where their passionate love affair began the manor fills with guests on what should be the happiest day of ava and jesse s lives

this man confessed p2 indd orion books full pdf wrbb neu - Nov 29 2022

web right here we have countless books this man confessed p2 indd orion books and collections to check out we additionally offer variant types and with type of the books to browse

this man confessed jodi ellen malpas google books - May 04 2023

web jan 21 2014 grand central publishing jan 21 2014 fiction 544 pages 1 new york times bestseller book 3 in the bestselling this man trilogy the manor the very place where their passionate love affair began fills with guests on what should be the happiest day of ava and jesse s lives

audiobook this man confessed free download mp3 - Apr 22 2022

web audiobook raising men lessons navy seals learned from their training and taught to their sons free download audiobook rapture in death free download audiobook raven king the book 4 of the raven cycle free download

this man confessed p2 indd orion books mail srilankalaw - Oct 29 2022

web we provide this man confessed p2 indd orion books and numerous ebook collections from fictions to scientific research in any way in the midst of them is this this man confessed p2 indd orion books that can be your partner this man confessed p2 indd orion books downloaded from mail srilankalaw lk by guest dudley harold

this man confessed p2 indd orion books robert wearing - Dec 19 2021

web it will not waste your time give a positive response me the e book will categorically space you supplementary matter to read just invest little times to right to use this on line revelation this man confessed p2 indd orion books as without difficulty as review them wherever you are now a shadow within francesca t barbini 2019 08 14 a

teacher appreciation poem 11 short poems to say thanks - Feb 10 2023

web poet mary s scotsburn you spend so much time with our children each day we appreciate you in every way you teach them and encourage each one and we thank you for all you have done we don t tell you often enough how much you are thought of the work you do does get noticed our children are living proof we appreciate you for all that you do

pdf short thank you poem for kindergarten teacher - Jul 03 2022

web poetry is such a perfect way to introduce kindergartners to the early stages of literacy it s brief it s fun it s got rhythm the poems in this personal poetry collection have been carefully crafted to meet the specific needs of kindergartners themes and topics used by most kindergarten teachers are the focus of the collection

leaving nursery thank you poem early years resources twinkl - Dec 28 2021

web a lovely leaving nursery thank you poem to help you say goodbye this lovely leaving nursery thank you poem is a wonderful way for nursery aged children to show their appreciation and thank their teachers in an extra special way at the end of the year

teacher poems of appreciation - Jul 15 2023

web this short thank you teacher poem sums up the lifetime value of a teacher special teacher special teacher what you taught me in just a few minutes a day will help me for my lifetime thank you by joanna fuchs a message for teacher is often filled with gratitude as this short thank you teacher poem is important teacher

preschool teacher thank you poem 10 examples to use - Mar 31 2022

web i thank you from the bottom of my heart for being there a wonderful preschool teacher who truly cares my child has learned so much from you you have inspired them in all that they do we appreciate your efforts each and every

thank you messages for kindergarten teachers - May 01 2022

web thank you messages for kindergarten teachers i am so blessed to have you as my child s teacher you just take care of my child with so much love and affection thank you my child has started taking an interest in his studies thanks to your innovative method of teaching you are doing an incredible job in handling these children so well

41 thank you short poems for teachers messagesrepo com - Oct 06 2022

web short thank you poems for teachers you are the teacher who opened my mind to new thoughts you are the teacher who i really adore and love lots you are the teacher who taught me to explore you are the teacher who brought my talents to the fore thanks for being such a great teacher and caring for me all along the way

kindergarten poems for kids to share in your classroom - Jun 02 2022

web oct 28 2021 20 sweet kindergarten poems and nursery rhymes for kids mix a pancake by jeanne croteau oct 28 2021 whether you re singing a nursery rhyme or building reading skills poetry is a great way to engage students it s never too early to introduce them to this wonderfully expressive and versatile form of literature

sample thank you notes for preschool or kindergarten teachers - Nov 07 2022

web jun 3 2023 thanks for being so kind and thoughtful i feel extremely grateful to have you as my child s preschool teacher thanks for your patience and for the quality of care you provide each and every day i would like to express my sincere gratitude to you for preparing my child for a lifetime of success

short thank you poems for teachers vedantu - Dec 08 2022

web aug 29 2022 these short thank you poems for teachers from students make all the teachers happy and proud thank you my teacher i thank my teacher for making me smile your presence always made me happy and loved i thank my teacher for always inspiring and guiding me your words made me learn new things i thank my teacher for

thank you poems to teachers short teacher appreciation poems - Aug 04 2022

web and they re written by a teacher because i ve been a teacher for years i m glad to share my thoughts in poetry form to thank our teachers and honor and celebrate the gifting and calling we are privileged to share 3 short thank you poems to teachers by paul berchtold january 2011 76 hearts you reach hearts you reach when you teach in

if you didn t hear this from anyone today teacher appreciation poem - May 13 2023

web here is a teacher appreciation poem that i created in honor of teacher appreciation day and to say thank you teacher to all of my readers to my fellow teachers post it where you can read it daily and remember that you matter

tap s 5 favourite poems to say thank you to your teacher - Jan 09 2023

web jan 8 2022 a poem to say thank you to a teacher is a great way to express gratitude in a more novel and meaningful way than with a traditional thank you card at the end of term choose a poem that resonates with you that celebrates the things about your teacher that you love or reflects experiences that your child has shared

50 thank you messages for preschool teachers with quotes - Jan 29 2022

web thank you for sharing your gift of teaching with us 39 i have such a trust in you as a teacher because i know that you care for my child just as much as i do thank you for the incredible work you do every day i appreciate it so much 40 thank you for the unbelievable progress my child has made in nursery school this year

teacher thank you poems kindergarten or preschool class to teacher - Aug 16 2023

web jan 17 2023 here are several examples of teacher thank you poems that could be used by kindergarten students to express their appreciation for their teacher thank you teacher for the art for helping us learn a work of heart for being kind and funny too we re grateful for all you do

thank you teacher poems preschool funny teachers poems - Jun 14 2023

web thanks teacher poems is one of the best way to express your emotions to teachers how they important for you teachers day poems of appreciation gratitude and admiration also read preschool and kindergarten school

10 thoughtful teacher appreciation week poems darling quote - Sep 05 2022

web apr 5 2021 1 the teacher gets a i look forward to your class when i come to school you re an awesome teacher i think you re very cool you re smart and fair and friendly you re helping all of us and if i got to grade you from me you d get a 2 i want to be like you thank you teacher for being my life s role model

thank you poem for kindergarten teacher happy wishing uk - Feb 27 2022

web thanks for making our child s life rounded and complete your words are the sparks that light up our children s futures
thank you for the world you are one person but for our children you are the world thank you teacher

15 teacher poems thank you poems for teachers family friend poems - Apr 12 2023

web 1 thank you mrs newby by kristen published by family friend poems june 2016 with permission of the author

appreciation poem for an inspirational teacher a happy smile contagious to all with a heart of gold that never falls as my role
model you set the bar high but you ve taught me all i can do is try read complete poem stories 3

happy teachers day 2023 30 best teacher appreciation poems - Mar 11 2023

web aug 23 2023 famous teacher appreciation poems faqs teachers day is a time to honour those who have dedicated their
lives to shaping young minds teachers have the power to ignite our minds with the light of knowledge and change the lives of
their students