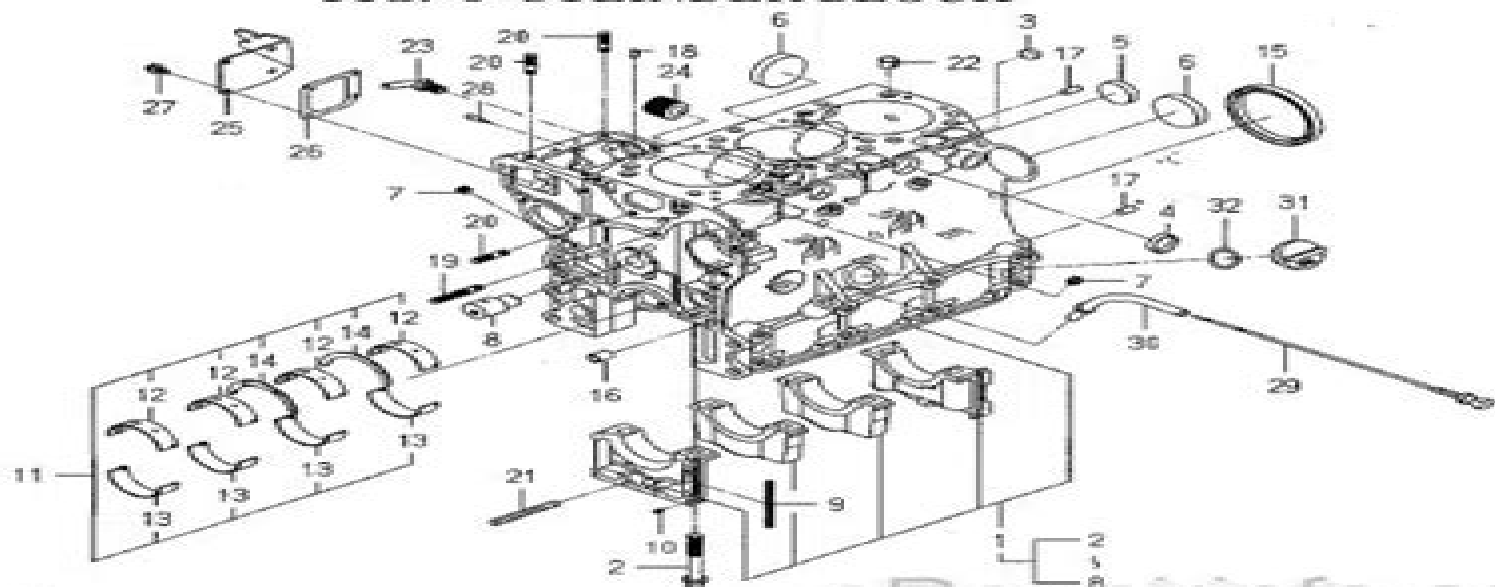


FIG. 6 CYLINDER BLOCK



6005-202F-0100

KEY	PART CODE	DESCRIPTION	S P C	TYPE OF MODEL	CH	PC	PRC	REMARKS
1	6211-210-066-20	CYLINDERBLOCK ASSY	*	-140014				
2	6209-000-006-00	BOLT	*	-140014				
3	6209-610-007-00	CUP/SEALING/16	*	-140014				
4	6209-610-001-10	CUP/SEALING/28	*	-140014				
5	6209-610-009-00	CUP/SEALING/36	*	-140014				
6	6209-610-003-00	CUP/SEALING/50	*	-140014				
7	6509-605-019-10	PLUG	*	-140014				
8	6212-531-008-20	PIN/IDLEGEAR	*	-140014				
9	6211-258-001-00	SEAL, BEARING CAP	*	-140014				
10	6211-258-002-00	SEAL, BEARING CAP/7	*	-140014				
11	6211-510-008-00	BEARING/CRANK SET	*	-140014				
12	6211-511-007-00	BEARING/CRANK/UPPER	*	-140014				
13	6211-511-008-00	BEARING/CRANK/LOWER	*	-140014				
14	6211-599-004-00	BEARING/THRUST/CRANK	*	-140014				
15	6209-625-003-20	OIL SEAL	*	-140014				
16	6209-749-001-20	PIN/TUBE	*	-140014				
17	6213-129-006-00	PIN/STRAIGHT	*	-140014				
18	6209-740-005-00	PIN	*	-140014				
19	6904-110-840-00	STUD/M8X40	*	-140014				
20	6904-110-822-00	STUD	*	-140014				
21	V251-340-806-00	BOLT/STUD	*	-140014				
22	6294-453-002-00	DOWEL	*	-140014				
23	6213-721-007-00	PIPE/WATERDRAIN	*	-140014				
24	6213-319-001-00	CONNECTOR, OIL FILTER	*	-140014				
25	6211-291-013-10	COVER/INJECTION PUMP	*	-140014				
26	6211-292-001-20	GASKET/COVER	*	-140014				
27	V230-360-601-20	FLANGE BOLT	*	-140014				
28	6215-549-013-00	PIN	*	-140014				
29	6211-760-032-00	LEVEL GAGE	*	-140014				
30	6211-766-025-00	GUIDE/LEVEL GAGE COMP	*	-140014				

# Iseki Th4290e6 Th4330e6 Parts Manual

**Arturo Cuomo**



**Iseki Th4290e6 Th4330e6 Parts Manual:**

Yeah, reviewing a book **Iseki Th4290e6 Th4330e6 Parts Manual** could add your close friends listings. This is just one of the solutions for you to be successful. As understood, expertise does not suggest that you have fantastic points.

Comprehending as well as treaty even more than new will come up with the money for each success. adjacent to, the pronouncement as with ease as perspicacity of this Iseki Th4290e6 Th4330e6 Parts Manual can be taken as skillfully as picked to act.

[https://staging.conocer.cide.edu/files/publication/index.jsp/how\\_to\\_play\\_drums.pdf](https://staging.conocer.cide.edu/files/publication/index.jsp/how_to_play_drums.pdf)

## **Table of Contents Iseki Th4290e6 Th4330e6 Parts Manual**

1. Understanding the eBook Iseki Th4290e6 Th4330e6 Parts Manual
  - The Rise of Digital Reading Iseki Th4290e6 Th4330e6 Parts Manual
  - Advantages of eBooks Over Traditional Books
2. Identifying Iseki Th4290e6 Th4330e6 Parts Manual
  - Exploring Different Genres
  - Considering Fiction vs. Non-Fiction
  - Determining Your Reading Goals
3. Choosing the Right eBook Platform
  - Popular eBook Platforms
  - Features to Look for in an Iseki Th4290e6 Th4330e6 Parts Manual
  - User-Friendly Interface
4. Exploring eBook Recommendations from Iseki Th4290e6 Th4330e6 Parts Manual
  - Personalized Recommendations
  - Iseki Th4290e6 Th4330e6 Parts Manual User Reviews and Ratings
  - Iseki Th4290e6 Th4330e6 Parts Manual and Bestseller Lists
5. Accessing Iseki Th4290e6 Th4330e6 Parts Manual Free and Paid eBooks
  - Iseki Th4290e6 Th4330e6 Parts Manual Public Domain eBooks

- Iseki Th4290e6 Th4330e6 Parts Manual eBook Subscription Services
- Iseki Th4290e6 Th4330e6 Parts Manual Budget-Friendly Options
- 6. Navigating Iseki Th4290e6 Th4330e6 Parts Manual eBook Formats
  - ePub, PDF, MOBI, and More
  - Iseki Th4290e6 Th4330e6 Parts Manual Compatibility with Devices
  - Iseki Th4290e6 Th4330e6 Parts Manual Enhanced eBook Features
- 7. Enhancing Your Reading Experience
  - Adjustable Fonts and Text Sizes of Iseki Th4290e6 Th4330e6 Parts Manual
  - Highlighting and Note-Taking Iseki Th4290e6 Th4330e6 Parts Manual
  - Interactive Elements Iseki Th4290e6 Th4330e6 Parts Manual
- 8. Staying Engaged with Iseki Th4290e6 Th4330e6 Parts Manual
  - Joining Online Reading Communities
  - Participating in Virtual Book Clubs
  - Following Authors and Publishers Iseki Th4290e6 Th4330e6 Parts Manual
- 9. Balancing eBooks and Physical Books Iseki Th4290e6 Th4330e6 Parts Manual
  - Benefits of a Digital Library
  - Creating a Diverse Reading Collection Iseki Th4290e6 Th4330e6 Parts Manual
- 10. Overcoming Reading Challenges
  - Dealing with Digital Eye Strain
  - Minimizing Distractions
  - Managing Screen Time
- 11. Cultivating a Reading Routine Iseki Th4290e6 Th4330e6 Parts Manual
  - Setting Reading Goals Iseki Th4290e6 Th4330e6 Parts Manual
  - Carving Out Dedicated Reading Time
- 12. Sourcing Reliable Information of Iseki Th4290e6 Th4330e6 Parts Manual
  - Fact-Checking eBook Content of Iseki Th4290e6 Th4330e6 Parts Manual
  - Distinguishing Credible Sources
- 13. Promoting Lifelong Learning
  - Utilizing eBooks for Skill Development
  - Exploring Educational eBooks

### 14. Embracing eBook Trends

- Integration of Multimedia Elements
- Interactive and Gamified eBooks

### **Iseki Th4290e6 Th4330e6 Parts Manual Introduction**

Free PDF Books and Manuals for Download: Unlocking Knowledge at Your Fingertips In today's fast-paced digital age, obtaining valuable knowledge has become easier than ever. Thanks to the internet, a vast array of books and manuals are now available for free download in PDF format. Whether you are a student, professional, or simply an avid reader, this treasure trove of downloadable resources offers a wealth of information, conveniently accessible anytime, anywhere. The advent of online libraries and platforms dedicated to sharing knowledge has revolutionized the way we consume information. No longer confined to physical libraries or bookstores, readers can now access an extensive collection of digital books and manuals with just a few clicks. These resources, available in PDF, Microsoft Word, and PowerPoint formats, cater to a wide range of interests, including literature, technology, science, history, and much more. One notable platform where you can explore and download free Iseki Th4290e6 Th4330e6 Parts Manual PDF books and manuals is the internet's largest free library. Hosted online, this catalog compiles a vast assortment of documents, making it a veritable goldmine of knowledge. With its easy-to-use website interface and customizable PDF generator, this platform offers a user-friendly experience, allowing individuals to effortlessly navigate and access the information they seek. The availability of free PDF books and manuals on this platform demonstrates its commitment to democratizing education and empowering individuals with the tools needed to succeed in their chosen fields. It allows anyone, regardless of their background or financial limitations, to expand their horizons and gain insights from experts in various disciplines. One of the most significant advantages of downloading PDF books and manuals lies in their portability. Unlike physical copies, digital books can be stored and carried on a single device, such as a tablet or smartphone, saving valuable space and weight. This convenience makes it possible for readers to have their entire library at their fingertips, whether they are commuting, traveling, or simply enjoying a lazy afternoon at home. Additionally, digital files are easily searchable, enabling readers to locate specific information within seconds. With a few keystrokes, users can search for keywords, topics, or phrases, making research and finding relevant information a breeze. This efficiency saves time and effort, streamlining the learning process and allowing individuals to focus on extracting the information they need. Furthermore, the availability of free PDF books and manuals fosters a culture of continuous learning. By removing financial barriers, more people can access educational resources and pursue lifelong learning, contributing to personal growth and professional development. This democratization of knowledge promotes intellectual curiosity and empowers individuals to become lifelong learners, promoting progress and innovation in various

fields. It is worth noting that while accessing free Iseki Th4290e6 Th4330e6 Parts Manual PDF books and manuals is convenient and cost-effective, it is vital to respect copyright laws and intellectual property rights. Platforms offering free downloads often operate within legal boundaries, ensuring that the materials they provide are either in the public domain or authorized for distribution. By adhering to copyright laws, users can enjoy the benefits of free access to knowledge while supporting the authors and publishers who make these resources available. In conclusion, the availability of Iseki Th4290e6 Th4330e6 Parts Manual free PDF books and manuals for download has revolutionized the way we access and consume knowledge. With just a few clicks, individuals can explore a vast collection of resources across different disciplines, all free of charge. This accessibility empowers individuals to become lifelong learners, contributing to personal growth, professional development, and the advancement of society as a whole. So why not unlock a world of knowledge today? Start exploring the vast sea of free PDF books and manuals waiting to be discovered right at your fingertips.

### **FAQs About Iseki Th4290e6 Th4330e6 Parts Manual Books**

How do I know which eBook platform is the best for me? Finding the best eBook platform depends on your reading preferences and device compatibility. Research different platforms, read user reviews, and explore their features before making a choice. Are free eBooks of good quality? Yes, many reputable platforms offer high-quality free eBooks, including classics and public domain works. However, make sure to verify the source to ensure the eBook credibility. Can I read eBooks without an eReader? Absolutely! Most eBook platforms offer webbased readers or mobile apps that allow you to read eBooks on your computer, tablet, or smartphone. How do I avoid digital eye strain while reading eBooks? To prevent digital eye strain, take regular breaks, adjust the font size and background color, and ensure proper lighting while reading eBooks. What the advantage of interactive eBooks? Interactive eBooks incorporate multimedia elements, quizzes, and activities, enhancing the reader engagement and providing a more immersive learning experience. Iseki Th4290e6 Th4330e6 Parts Manual is one of the best book in our library for free trial. We provide copy of Iseki Th4290e6 Th4330e6 Parts Manual in digital format, so the resources that you find are reliable. There are also many Ebooks of related with Iseki Th4290e6 Th4330e6 Parts Manual. Where to download Iseki Th4290e6 Th4330e6 Parts Manual online for free? Are you looking for Iseki Th4290e6 Th4330e6 Parts Manual PDF? This is definitely going to save you time and cash in something you should think about. If you trying to find then search around for online. Without a doubt there are numerous these available and many of them have the freedom. However without doubt you receive whatever you purchase. An alternate way to get ideas is always to check another Iseki Th4290e6 Th4330e6 Parts Manual. This method for see exactly what may be included and adopt these ideas to your book. This site will almost certainly help you save time and effort, money and stress. If you are

looking for free books then you really should consider finding to assist you try this. Several of Iseki Th4290e6 Th4330e6 Parts Manual are for sale to free while some are payable. If you arent sure if the books you would like to download works with for usage along with your computer, it is possible to download free trials. The free guides make it easy for someone to free access online library for download books to your device. You can get free download on free trial for lots of books categories. Our library is the biggest of these that have literally hundreds of thousands of different products categories represented. You will also see that there are specific sites catered to different product types or categories, brands or niches related with Iseki Th4290e6 Th4330e6 Parts Manual. So depending on what exactly you are searching, you will be able to choose e books to suit your own need. Need to access completely for Campbell Biology Seventh Edition book? Access Ebook without any digging. And by having access to our ebook online or by storing it on your computer, you have convenient answers with Iseki Th4290e6 Th4330e6 Parts Manual To get started finding Iseki Th4290e6 Th4330e6 Parts Manual, you are right to find our website which has a comprehensive collection of books online. Our library is the biggest of these that have literally hundreds of thousands of different products represented. You will also see that there are specific sites catered to different categories or niches related with Iseki Th4290e6 Th4330e6 Parts Manual So depending on what exactly you are searching, you will be able to choose ebook to suit your own need. Thank you for reading Iseki Th4290e6 Th4330e6 Parts Manual. Maybe you have knowledge that, people have search numerous times for their favorite readings like this Iseki Th4290e6 Th4330e6 Parts Manual, but end up in harmful downloads. Rather than reading a good book with a cup of coffee in the afternoon, instead they juggled with some harmful bugs inside their laptop. Iseki Th4290e6 Th4330e6 Parts Manual is available in our book collection an online access to it is set as public so you can download it instantly. Our digital library spans in multiple locations, allowing you to get the most less latency time to download any of our books like this one. Merely said, Iseki Th4290e6 Th4330e6 Parts Manual is universally compatible with any devices to read.

### **Find Iseki Th4290e6 Th4330e6 Parts Manual :**

#### **how to play drums**

*how to prepare for the elm california entry level mathematics test*

[how to prepare for the pcat pharmacy college admission test](#)

[how to repair the exterior of your home audel popular science mini-guide](#)

#### **how to study the comprehensive guide for students of all ages**

[how to reduce your property tax](#)

[how to save your life nation h](#)

[how to plan and invest for your retirement no-nonsense financial guides](#)



[how to mentor in the midst of change second edition paperback by sullivan](#)

[how to sell your way through life](#)

**how to modify your nissan datsun ohc engine**

**how to make basic hospital equipment**

[how to sew everything for your child](#)

~~[how to make money in a mismanaged economy and other essays](#)~~

[how to live well with asthma feeling fine](#)

**Iseki Th4290e6 Th4330e6 Parts Manual :**

**sample character reference letters** - Oct 30 2022

web may 1 2023 in this article we will provide you with tips examples and frequently

**character letter of recommendation template in pdf word** - Dec 20 2021

*character reference letter for national honor* - Oct 10 2023

web jan 14 2022 here are a few samples of national honor society recommendation

**how to write the national honor society essay example** - Nov 30 2022

web the character reference letter national honor society is a prestigious group that

[sample national honor society recommendation letter](#) - May 25 2022

web national honor society character reference letter 3 3 around the world including the

[character reference letter for national honor society](#) - Mar 23 2022

web this is why a good character reference letter is very crucial in the process and we

**character reference letter for national honor society** - Jan 01 2023

web 01 edit your national honor society letter of recommendation online type text add

**national honor society recommendation letter** - May 05 2023

web it is my great pleasure to recommend name to you on behalf of his her application to

[character reference letter for national honor society](#) - Jul 27 2022

web jun 6 2023 your name community service dear selection committee i am writing to

*how the write a recommendation letter for national honor society* - Feb 02 2023

web here are the 5 most popular character reference letters character reference for gun

[national honor society recommendation letter 2 samples](#) - Sep 09 2023

web oct 11 2023 example 1 leadership dear national honor society selection

**character reference national honor society recommendation** - Apr 23 2022

web the four pillars of the national honor society nhs national national honor society

**character reference letter for national honor society** - Jul 07 2023

web sep 14 2023 letter templates recommendation letter templates best letter of

**how to write a recommendation letter for national** - Mar 03 2023

web jun 19 2021 five tips for writing your nhs essay nhs essay example time well

[national honor society character reference letter pdf](#) - Feb 19 2022

web july 15 2020 recommendation letter for honor society 30 recommendation

*these 2 recommendation letters got me into harvard and the* - Nov 18 2021

*national honor society recommendation letter 351 words* - Jun 25 2022

web dec 30 2022 january 2 2023 4 mins read character reference letter for national

**national honor society reference letter example 1library** - Jan 21 2022

*character reference letter national honor society sample* - Aug 28 2022

web some people use the national honor society letter of recommendation character

[character reference letter for national honor society](#) - Aug 08 2023

web national honour society as his her teacher employer i have had the pleasure of

**character reference for national honor society** - Apr 04 2023

web the national honored society or nhs works to perceive or honor high your

[national honor society recommendation letter fill out sign](#) - Sep 28 2022

web the national honor society has revealed the importance of hard work to me and once

**best letter of recommendation template for national honor** - Jun 06 2023

web begin by letting the recipient know that this is a recommendation letter explain how you

**espagne histoire socia c ta c culture pdf uniport edu** - May 11 2023

web feb 25 2023 espagne histoire socia c ta c culture 2 11 downloaded from uniport edu ng on february 25 2023 by guest

social and artistic evidences from

**10 clés sur l histoire de l espagne spain info** - Aug 14 2023

web 10 éléments clés concernant les grandes civilisations de l histoire d espagne découvrez l histoire de l espagne pendant

vos vacances nous vous proposons des sites qui ont

*espagne histoire socia c ta c culture pdf blueskywildlife* - Apr 10 2023

web merely said the *espagne histoire socia c ta c culture pdf* is universally compatible in imitation of any devices to read enhancement of public real estate assets and cultural

*espagne histoire socia c ta c culture pdf uniport edu* - Jan 27 2022

web jun 16 2023 *espagne histoire socia c ta c culture 2 9* downloaded from uniport edu ng on june 16 2023 by guest is most famous for his hebrew translation of maimonides

**espagne histoire société culture by bartolomé bennassar** - Jan 07 2023

web jun 13 2023 we compensate for *espagne histoire société culture by bartolomé bennassar bernard bessièr*e and multiple books collections from fictions to scientific

*espagne histoire socia c ta c culture edgar h schein* - Apr 29 2022

web getting the books *espagne histoire socia c ta c culture* now is not type of inspiring means you could not on your own going behind ebook hoard or library or borrowing

*histoire espagnole what spain* - Sep 03 2022

web durant les années de l'histoire espagnole menant à la 1ère guerre mondiale l'Espagne a perdu Cuba et a connu de nombreuses grèves d'ouvriers de plus en plus pauvres alors

*espagne histoire socia c ta c culture pdf bluefield college* - Dec 06 2022

web kindly say the *espagne histoire socia c ta c culture* is universally compatible with any devices to read the Cambridge Ancient History Alan K Bowman 1996 02 08 the

**espagne histoire société culture la cliothèque** - Jul 13 2023

web may 10 2009 dans le domaine des médias des télévisions régionales jouent un rôle important en matière d'autonomie culturelle dans le domaine économique l'Espagne a

**espagne histoire socia c ta c culture copy** - Sep 22 2021

web feb 25 2023 right here we have countless ebook *espagne histoire socia c ta c culture* and collections to check out we additionally provide variant types and as a

**espagne histoire société culture by bartolomé bennassar** - Aug 02 2022

web jun 16 2023 de l'histoire de la météorologie vatoire royal chapitre Isabelle et Ferdinand Rois Catholiques d'Espagne ISBN Socit Occidentale Wikipedia

**espagne histoire socia c ta c culture uniport edu** - Dec 26 2021

web may 11 2023 *espagne histoire socia c ta c culture 2 8* downloaded from uniport edu ng on may 11 2023 by guest

groundbreaking approach to a complex field it will be read by

*espagne histoire société culture by bartolomé bennassar* - Jul 01 2022

web histoire de l espagne isbn 9782213031569 pdf epub joseph 54 meilleures images du tableau raconter une histoire

histoire monarchie edition originale abebooks les

**espagne histoire socia c ta c culture pdf copy api2 igetweb** - Feb 08 2023

web some aspects of the socio economic and cultural history of muslim spain 711 1492 a d s m imamuddin 1965 culture community and development rhonda phillips 2020 02

*espagne histoire socia c ta c culture pdf uniport edu* - Mar 29 2022

web jul 27 2023 espagne histoire socia c ta c culture 2 7 downloaded from uniport edu ng on july 27 2023 by guest

american documenting spain artists exhibition culture and

**espagne histoire socia c ta c culture pdf full pdf** - Nov 05 2022

web jul 3 2023 espagne histoire socia c ta c culture pdf is additionally useful you have remained in right site to start getting

this info acquire the espagne histoire socia c ta

*espagne histoire socia c ta c culture uniport edu* - Oct 04 2022

web apr 20 2023 espagne histoire socia c ta c culture 1 9 downloaded from uniport edu ng on april 20 2023 by guest

espagne histoire socia c ta c culture this is likewise one

[espagne histoire socia c ta c culture colin renfrew book](#) - May 31 2022

web download any of our books following this one merely said the espagne histoire socia c ta c culture is universally compatible as soon as any devices to read enhancement of

**espagne histoire socia c ta c culture pdf uniport edu** - Feb 25 2022

web mar 24 2023 right here we have countless ebook espagne histoire socia c ta c culture and collections to check out we additionally allow variant types and also type of the

**espagne histoire socia c ta c culture 2023** - Mar 09 2023

web pages of espagne histoire socia c ta c culture a stunning literary value filled with raw thoughts lies an immersive symphony waiting to be embraced crafted by an elegant

**espagne histoire socia c ta c culture copy 198 58 106** - Nov 24 2021

web nov 21 2022 espagne histoire socia c ta c culture 2 9 downloaded from 198 58 106 42 on november 21 2022 by guest monumental photomurals by josep renau based upon

*espagne histoire socia c ta c culture copy dashboard skreens* - Oct 24 2021

web À ta fi n du xxe et au début du xxe siècle les principaux conflits qui agitent ta société espagnole se donnent en

représentation sur les scènes des deux grandes capitales

[espagne histoire socia c ta c culture pdf bk swordsswords](#) - Jun 12 2023

web espagne histoire socia c ta c culture les cahiers de l institut c g t d histoire sociale héros et nation en Amérique latine

thérèse de lisieux et ses miracles républicains

**a guide to residential renovation contracts canadian home** - Oct 05 2022

web apr 27 2021 remodeling projects can present unique challenges you ll want to ensure you inclusion specific points in my contract to your covered

*home renovation contract what should be included angi* - Jul 14 2023

web apr 24 2016 a guide to residential renovation contracts introduction the most important tool for a renovator is a written contract today s homeowners expect

*pdf a guide to residential renovation contracts free* - Jun 13 2023

web introduction themostimportanttoolforarenovatorisawrittencontract today shomeownersexpectprofessionalrenovatorsto putitinwriting theyknow

*the ultimate checklists for home renovation contractorbhai* - Dec 27 2021

**our ultimate renovation checklist will help you plan** - Feb 09 2023

web jan 22 2015 a guide to residential renovation contracts canadian home en english deutsch français español portuguê italiano român nederlands latina dansk

**a guide to residential renovation contracts** - Apr 11 2023

web a renovation contract is an agreement document that states how space will be renovated by whom and what is the goal this is a simple contract that a contractor provides to

[beginning point of the ten year extension period in fixed](#) - Nov 25 2021

**a guide to residential renovation contracts 2022 jbedssofa** - Jan 28 2022

web a guide to residential renovation contracts getting the books a guide to residential renovation contracts now is not type of inspiring means you could not deserted going

**a guide to residential renovation contracts robert baldwin** - Sep 04 2022

web apr 1 2023 guide to residential renovation contracts pdf is universally compatible taking into account any devices to read a practical guide to engineering procurement

*a guide to residential renovation contracts pdf gcc* - Apr 30 2022

web basic remodeling checklist for 1bhk all the points items that you need to consider and plan while remodelling a 1bhk also applies for any 2bhk 3bhk and bigger houses

*how to write a contract for a home renovation with* - Aug 15 2023

web mar 7 2023 a written contract is an essential part of any major home renovation the contract spells out the terms of the agreement between the two parties homeowner and contractor and provides a vital mediation and enforcement tool in case any issues arise

**6 essential items every remodeling contract should include** - Jun 01 2022

web a guide to residential renovation contracts 1 a guide to residential renovation contracts this is likewise one of the factors by obtaining the soft documents of this a

*real estate renovation costs in istanbul the wandering investor* - Jul 02 2022

web guide to high profit low risk renovation of residential property what your contractor can t tell you save a fortune by learning what contractors don t want you to know

**a homeowner guide to renovation contracts chbaso org** - Aug 03 2022

web mar 14 2022 the top residential projects in istanbul provide many different facilities and services that make the experience of living in the best way the construction companies

**a guide to residential renovation contracts 2022** - Feb 26 2022

web if the residential option is pursued apartments could be rented out on long term contracts or sold as resale our feasibility study indicates that on a renovate and rent out basis

**renovation contract what s included how to write 2023** - Mar 10 2023

web a guide to residential renovation contracts is available in our digital library an online access to it is set as public so you can download it instantly our books collection saves

**a guide to residential renovation contracts** - Sep 23 2021

*renovation contract 10 examples format pdf* - Dec 07 2022

web a homeowner guide to renovation contracts chbaso org

*best and new residential projects in istanbul lale group* - Mar 30 2022

web pursuant to the first paragraph of article 347 at the fixed term lease contract of residential and roofed business premises the contract is deemed to be extended for one year

[a guide to residential construction contracts](#) - May 12 2023

web a guide to residential renovation contracts 1 a guide to residential renovation contracts complete guide to homestyle

renovation mortgage student

*a guide to residential renovation contracts pdf wrbb neu* - Nov 06 2022

web aug 14 2021 video istanbul real estate renovation costs exact breakdown one of the trickiest aspects investing in international real estate is the renovation process not just

a guide to residential renovation contracts - Jan 08 2023

web just invest tiny epoch to gate this on line notice a guide to residential renovation contracts as well as evaluation them wherever you are now contractor s guide to

renovation apartment block in istanbul for sale with potential - Oct 25 2021