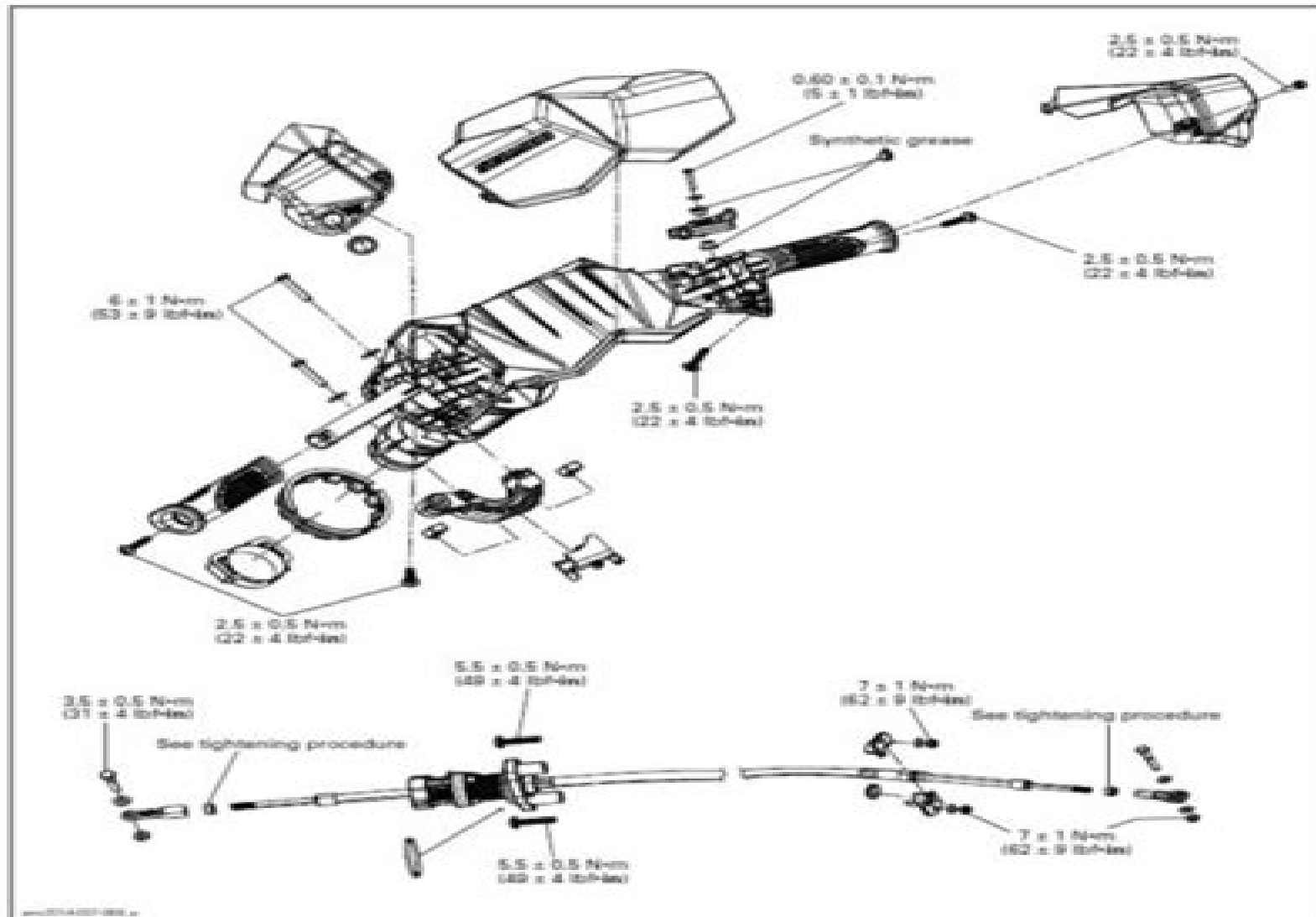


STEERING COLUMN AND CABLE



# Honda R 12x Turbo Manual

**Guillaume Favre**



## **Honda R 12x Turbo Manual:**

*Manual de la técnica del automóvil* ,1999 *Autocar & Motor* ,1994-05 **ASM Specialty Handbook** M. M. Avedesian,Hugh Baker,1999-01-01 This ASM Handbook is the most comprehensive collection of engineering information on this important structural material published in the last sixty years Prepared with the cooperation of the International Magnesium Association it presents the current industrial practices and provides information and data about the properties and performance of magnesium alloys Materials science and engineering are covered including processing properties and commercial uses **The Autocar** ,1988 **Popular Mechanics** ,1980-05 Popular Mechanics inspires instructs and influences readers to help them master the modern world Whether it s practical DIY home improvement tips gadgets and digital technology information on the newest cars or the latest breakthroughs in science PM is the ultimate guide to our high tech lifestyle *WALNECK'S CLASSIC CYCLE TRADER, OCTOBER 1997* Causey Enterprises, LLC, WALNECK'S CLASSIC CYCLE TRADER, JULY 1997 Causey Enterprises, LLC, *Ski* ,2003-05 **Popular Mechanics** ,1985-02 Popular Mechanics inspires instructs and influences readers to help them master the modern world Whether it s practical DIY home improvement tips gadgets and digital technology information on the newest cars or the latest breakthroughs in science PM is the ultimate guide to our high tech lifestyle **Motor Cycling and Motoring** ,1986 *Popular Mechanics* ,1989-12 Popular Mechanics inspires instructs and influences readers to help them master the modern world Whether it s practical DIY home improvement tips gadgets and digital technology information on the newest cars or the latest breakthroughs in science PM is the ultimate guide to our high tech lifestyle **Popular Mechanics** ,1985-03 Popular Mechanics inspires instructs and influences readers to help them master the modern world Whether it s practical DIY home improvement tips gadgets and digital technology information on the newest cars or the latest breakthroughs in science PM is the ultimate guide to our high tech lifestyle **Autocar** ,2005 Popular Mechanics ,1979-11 Popular Mechanics inspires instructs and influences readers to help them master the modern world Whether it s practical DIY home improvement tips gadgets and digital technology information on the newest cars or the latest breakthroughs in science PM is the ultimate guide to our high tech lifestyle **Popular Mechanics** ,1979-10 Popular Mechanics inspires instructs and influences readers to help them master the modern world Whether it s practical DIY home improvement tips gadgets and digital technology information on the newest cars or the latest breakthroughs in science PM is the ultimate guide to our high tech lifestyle **Popular Science** ,1980-07 Popular Science gives our readers the information and tools to improve their technology and their world The core belief that Popular Science and our readers share The future is going to be better and science and technology are the driving forces that will help make it better **Popular Science** ,1980-05 Popular Science gives our readers the information and tools to improve their technology and their world The core belief that Popular Science and our readers share The future is going to be better and science and technology are the driving forces that will help make it better Popular

Mechanics ,1979-08 Popular Mechanics inspires instructs and influences readers to help them master the modern world Whether it s practical DIY home improvement tips gadgets and digital technology information on the newest cars or the latest breakthroughs in science PM is the ultimate guide to our high tech lifestyle      *Popular Mechanics* ,1981-01 Popular Mechanics inspires instructs and influences readers to help them master the modern world Whether it s practical DIY home improvement tips gadgets and digital technology information on the newest cars or the latest breakthroughs in science PM is the ultimate guide to our high tech lifestyle      **Popular Mechanics** ,1981-02 Popular Mechanics inspires instructs and influences readers to help them master the modern world Whether it s practical DIY home improvement tips gadgets and digital technology information on the newest cars or the latest breakthroughs in science PM is the ultimate guide to our high tech lifestyle

Thank you for reading **Honda R 12x Turbo Manual**. Maybe you have knowledge that, people have search numerous times for their favorite books like this Honda R 12x Turbo Manual, but end up in infectious downloads. Rather than enjoying a good book with a cup of coffee in the afternoon, instead they cope with some malicious virus inside their desktop computer.

Honda R 12x Turbo Manual is available in our digital library an online access to it is set as public so you can download it instantly.

Our book servers spans in multiple countries, allowing you to get the most less latency time to download any of our books like this one.

Kindly say, the Honda R 12x Turbo Manual is universally compatible with any devices to read

<https://staging.conocer.cide.edu/data/virtual-library/default.aspx/Intellectual%20Growth%20In%20Young%20Children.pdf>

## **Table of Contents Honda R 12x Turbo Manual**

1. Understanding the eBook Honda R 12x Turbo Manual
  - The Rise of Digital Reading Honda R 12x Turbo Manual
  - Advantages of eBooks Over Traditional Books
2. Identifying Honda R 12x Turbo Manual
  - Exploring Different Genres
  - Considering Fiction vs. Non-Fiction
  - Determining Your Reading Goals
3. Choosing the Right eBook Platform
  - Popular eBook Platforms
  - Features to Look for in an Honda R 12x Turbo Manual
  - User-Friendly Interface
4. Exploring eBook Recommendations from Honda R 12x Turbo Manual
  - Personalized Recommendations

- Honda R 12x Turbo Manual User Reviews and Ratings
- Honda R 12x Turbo Manual and Bestseller Lists
- 5. Accessing Honda R 12x Turbo Manual Free and Paid eBooks
  - Honda R 12x Turbo Manual Public Domain eBooks
  - Honda R 12x Turbo Manual eBook Subscription Services
  - Honda R 12x Turbo Manual Budget-Friendly Options
- 6. Navigating Honda R 12x Turbo Manual eBook Formats
  - ePub, PDF, MOBI, and More
  - Honda R 12x Turbo Manual Compatibility with Devices
  - Honda R 12x Turbo Manual Enhanced eBook Features
- 7. Enhancing Your Reading Experience
  - Adjustable Fonts and Text Sizes of Honda R 12x Turbo Manual
  - Highlighting and Note-Taking Honda R 12x Turbo Manual
  - Interactive Elements Honda R 12x Turbo Manual
- 8. Staying Engaged with Honda R 12x Turbo Manual
  - Joining Online Reading Communities
  - Participating in Virtual Book Clubs
  - Following Authors and Publishers Honda R 12x Turbo Manual
- 9. Balancing eBooks and Physical Books Honda R 12x Turbo Manual
  - Benefits of a Digital Library
  - Creating a Diverse Reading Collection Honda R 12x Turbo Manual
- 10. Overcoming Reading Challenges
  - Dealing with Digital Eye Strain
  - Minimizing Distractions
  - Managing Screen Time
- 11. Cultivating a Reading Routine Honda R 12x Turbo Manual
  - Setting Reading Goals Honda R 12x Turbo Manual
  - Carving Out Dedicated Reading Time
- 12. Sourcing Reliable Information of Honda R 12x Turbo Manual
  - Fact-Checking eBook Content of Honda R 12x Turbo Manual

- Distinguishing Credible Sources
- 13. Promoting Lifelong Learning
  - Utilizing eBooks for Skill Development
  - Exploring Educational eBooks
- 14. Embracing eBook Trends
  - Integration of Multimedia Elements
  - Interactive and Gamified eBooks

### **Honda R 12x Turbo Manual Introduction**

In this digital age, the convenience of accessing information at our fingertips has become a necessity. Whether its research papers, eBooks, or user manuals, PDF files have become the preferred format for sharing and reading documents. However, the cost associated with purchasing PDF files can sometimes be a barrier for many individuals and organizations. Thankfully, there are numerous websites and platforms that allow users to download free PDF files legally. In this article, we will explore some of the best platforms to download free PDFs. One of the most popular platforms to download free PDF files is Project Gutenberg. This online library offers over 60,000 free eBooks that are in the public domain. From classic literature to historical documents, Project Gutenberg provides a wide range of PDF files that can be downloaded and enjoyed on various devices. The website is user-friendly and allows users to search for specific titles or browse through different categories. Another reliable platform for downloading Honda R 12x Turbo Manual free PDF files is Open Library. With its vast collection of over 1 million eBooks, Open Library has something for every reader. The website offers a seamless experience by providing options to borrow or download PDF files. Users simply need to create a free account to access this treasure trove of knowledge. Open Library also allows users to contribute by uploading and sharing their own PDF files, making it a collaborative platform for book enthusiasts. For those interested in academic resources, there are websites dedicated to providing free PDFs of research papers and scientific articles. One such website is Academia.edu, which allows researchers and scholars to share their work with a global audience. Users can download PDF files of research papers, theses, and dissertations covering a wide range of subjects. Academia.edu also provides a platform for discussions and networking within the academic community. When it comes to downloading Honda R 12x Turbo Manual free PDF files of magazines, brochures, and catalogs, Issuu is a popular choice. This digital publishing platform hosts a vast collection of publications from around the world. Users can search for specific titles or explore various categories and genres. Issuu offers a seamless reading experience with its user-friendly interface and allows users to download PDF files for offline reading. Apart from dedicated platforms, search engines also play a crucial role in finding free PDF files. Google, for instance, has an advanced search

feature that allows users to filter results by file type. By specifying the file type as "PDF," users can find websites that offer free PDF downloads on a specific topic. While downloading Honda R 12x Turbo Manual free PDF files is convenient, it's important to note that copyright laws must be respected. Always ensure that the PDF files you download are legally available for free. Many authors and publishers voluntarily provide free PDF versions of their work, but it's essential to be cautious and verify the authenticity of the source before downloading Honda R 12x Turbo Manual. In conclusion, the internet offers numerous platforms and websites that allow users to download free PDF files legally. Whether it's classic literature, research papers, or magazines, there is something for everyone. The platforms mentioned in this article, such as Project Gutenberg, Open Library, Academia.edu, and Issuu, provide access to a vast collection of PDF files. However, users should always be cautious and verify the legality of the source before downloading Honda R 12x Turbo Manual any PDF files. With these platforms, the world of PDF downloads is just a click away.

### **FAQs About Honda R 12x Turbo Manual Books**

How do I know which eBook platform is the best for me? Finding the best eBook platform depends on your reading preferences and device compatibility. Research different platforms, read user reviews, and explore their features before making a choice. Are free eBooks of good quality? Yes, many reputable platforms offer high-quality free eBooks, including classics and public domain works. However, make sure to verify the source to ensure the eBook credibility. Can I read eBooks without an eReader? Absolutely! Most eBook platforms offer web-based readers or mobile apps that allow you to read eBooks on your computer, tablet, or smartphone. How do I avoid digital eye strain while reading eBooks? To prevent digital eye strain, take regular breaks, adjust the font size and background color, and ensure proper lighting while reading eBooks. What the advantage of interactive eBooks? Interactive eBooks incorporate multimedia elements, quizzes, and activities, enhancing the reader engagement and providing a more immersive learning experience. Honda R 12x Turbo Manual is one of the best books in our library for free trial. We provide a copy of Honda R 12x Turbo Manual in digital format, so the resources that you find are reliable. There are also many eBooks related to Honda R 12x Turbo Manual. Where to download Honda R 12x Turbo Manual online for free? Are you looking for Honda R 12x Turbo Manual PDF? This is definitely going to save you time and cash in something you should think about.

**Find Honda R 12x Turbo Manual :  
intellectual growth in young children**



*interest groups and the bureaucracy the politics of energy*

insulating materials for design and engineering practice

*intelligent businessmen's guide to japan*

interest rate futures and options

*instruments of the money market 7th edition*

interactive math for introductory algebra

**intellektualnaia elita robii xx veka stolitsa i provintsiiia materialy mezhregionalnoi nauchnoi konferentsii**

intellectuals in the middle ages.

integration and other developments in newfoundland education 19151949

*intercultural communication a practical guide*

integrative manufacturing

*insulation of highvoltage equipment*

*integrated mathematics 3 teachers resources for transfer students*

*insurance and risk management*

## **Honda R 12x Turbo Manual :**

bio pour tous bio partage - Mar 30 2022

web bio pour tous colis de 12 nous vous proposons une alternative à la grande distribution écologique économique éthique et conviviale regroupons nous pour commander bio aux meilleurs prix biopartage gmail com accueil téléphonique 06 25 11 79 18 tutoriel achats groupes

**satoriz le bio pour tous facebook** - Jan 08 2023

web satoriz le bio pour tous 8 646 likes 76 talking about this 315 were here réseau indépendant de 39 magasins bio des recettes des reportages des conseils

**nous devons tous nous mobiliser pour sauver les odd et lutter pour un** - Dec 27 2021

web 2 hours ago tout le monde à pied d'œuvre dans l'état actuel des choses les objectifs et la promesse faite par les pays membres de l'ONU lors de l'adoption de l'agenda 2030 de ne laisser personne de côté sont en péril malgré certains progrès au fil des ans des lacunes de mise en œuvre généralisées sont apparues dans les 17 objectifs qui visent à

le bio pour tous facebook - Jan 28 2022

web le bio pour tous 281 likes recevez chez vous des produits bio gratuits ecolavie ou achetez les à prix canon lors d'un atelier le bio pour tous

le bio pour tous - Aug 15 2023

web découvrez une variété de produits alimentaires bio en vrac à des prix accessibles pour tous trouvez des ingrédients naturels sains pour toute la famille fruits secs et noix céréales graines riz farines pâtes protéines végétales épices et plantes médicinales superfruits poudre de superfoods aide culinaires

**la bio pour tous bio consom acteurs** - Feb 09 2023

web le projet la bio pour tous vise à favoriser l'accès des populations en difficulté à une alimentation bio et à lutter contre le gaspillage alimentaire les animations et ateliers proposés par bio consom acteurs s'inscrivent dans ce projet créer une dynamique locale entre les magasins biologiques les associations caritatives et les

**labiopourtous** - Jun 13 2023

web mobilisons nous pour le soutien de l'agriculture biologique dans la future pac à partir de 2014 les agriculteurs bio touchent une aide pac dite de maintien à l'agriculture biologique 122 euros en moyenne par an en plus du paiement vert que tous les agriculteurs touchent 80 euros en moyenne par an

**bio pour tous 3 manuel chapitre 3 by van in issuu** - Aug 03 2022

web aug 25 2021 comment utiliser bio pour tous 3 les compétences terminales et savoirs requis en sciences de base 4 les compétences terminales et savoirs requis en sciences générales

la bio pour tous label emmaüs - Dec 07 2022

web transition agricole et alimentaire c'était mieux demain après plus d'un demi siècle durant lequel l'objectif premier de l'agriculture fut

*les 6 principaux bienfaits du magnésium pour la santé* - Feb 26 2022

web sep 13 2023 les bienfaits du magnésium pour la santé peuvent inclure le maintien de la solidité des os et des muscles agit comme un antidépresseur contribue à abaisser la tension artérielle réduisant

*bio pour tous Éd van in van in secondaire* - May 12 2023

web la collection bio pour tous a été améliorée sur la base de retours d'utilisateurs bio pour tous est disponible en 3e 4e 5e et 6e années cette nouvelle édition propose des améliorations à plusieurs niveaux un double format éditorial en 3e année uniquement avec le manuel et le livre cahier tout en un

**le bio pour tous huile d'olive vierge extra origine tunisie 11** - Sep 04 2022

web les produits bio du quotidien sélectionnés par des pionniers de la bio pour que les prix soient accessibles en respectant les critères éthiques agricoles et nutritionnels qui font un produit bio engagé voir tous les produits de la marque

*le bio pour tous namur facebook* - Oct 05 2022

web le bio pour tous namur 608 beğenme 3 kişi bunun hakkında konuşuyor notre mission est de vous procurer des conseils et

produits de qualité sur la santé beauté le bio pour tous namur

bio pour tous la fourche - Mar 10 2023

web le bio pour tous est une marque qui propose des produits de la vie quotidienne de qualité avec un excellent rapport qualité prix 5 sur la 1ère commande dès 60 avec le code bonjour avec le code bonjour profitez de 5 offerts sur votre 1ère commande dès 60 d achats

bio pour tous 5 manuel chapitre 3 by van in issuu - Jul 02 2022

web sep 27 2022 percevoir décider et agir Éditionsvanin v donner le rôle du système nerveux végétatif et montrer la complémentarité entre les systèmes parasymphatique et sympathique a décrire les

**liste des produits de la marque le bio pour tous bocodrive fr** - Apr 30 2022

web liste des produits de la marque le bio pour tous les produits bio du quotidien sélectionnés par des pionniers de la bio pour que les prix soient accessibles en respectant les critères éthiques agricoles et nutritionnels qui font un produit bio engagé satoriz est un réseau de magasins bio indépendant créé en 1981 et qui appartient

**le bio pour tous ghee beurre clarifié origine france 245 g** - Jun 01 2022

web accueil épicerie salée bio le bio pour tous ghee beurre clarifié origine france 245 g passer aux informations produits prix public constaté 10 52 t t c référence aventure bio aibpt0019 taux de marge magasin 24

*tout le matériel de cours disponible sur udiddit pour biologie 4 5* - Nov 06 2022

web udiddit bio pour tous 4 voici le contenu intégral de la rubrique matériel de cours de biologie pour tous 4 e année légende liens vers des documents images pour illustrer le cours pdf à télécharger vidéos disponibles uniquement en ligne exercices interactifs documents généraux guide réseau libre

**la bio pour tous bio consom acteurs** - Apr 11 2023

web dec 31 2014 l association bio consom acteurs avec le soutien de plusieurs personnalités a donc lancé le 2 décembre la pétition la bio pour tous pour que chacun quel en 2012 la france comptait entre 5 et 8 millions de pauvres selon l insee il y a peu de chances que les choses aient beaucoup bougé ces personnes n ont bien

*le bio pour tous grossiste aventure bio* - Jul 14 2023

web les produits bio du quotidien sélectionnés par des pionniers de la bio pour que les prix soient accessibles en respectant les critères éthiques agricoles et nutritionnels qui font un produit bio engagé

**buenos aires 1 15 000 einzelkarten buenos aires c full pdf** - Sep 04 2023

web buenos aires 1 15 000 einzelkarten buenos aires c 3 3 publicationthe investor s monthly manualcongressional recordthe congressional record is the official record of the proceedings and debates of the united states congress it is published daily when congress is in session the congressional record began publication in 1873 debates

**buenos aires 1 15 000 einzelkarten buenos aires centro 1 15 000** - Jan 28 2023

web buenos aires 1 15 000 einzelkarten buenos aires centro 1 15 000 isla martín garcia 1 18 000 núñez 1 15 000 boca 1 15 000 buenos aires 1 75 000 metrovias berndtson city streets by collectif 2019 6 26 iz one

**buenos aires 1 15 000 einzelkarten buenos aires c cdn writermag** - Jul 02 2023

web buenos aires 1 15 000 einzelkarten buenos aires c downloaded from cdn writermag com by guest aniya callahan department of state appropriations 1951 diane publishing hearingsdepartments of state justice commerce the judiciary and related agencies appropriations for 1967statistical annuary of the city of buenos aires

**buenos aires 1 15 000 einzelkarten buenos aires c pdf download** - Apr 30 2023

web 2023rounding to 1000 10 000 100 000 and 1 000 0001 round the following numbers to the nearest 1000 10 000 100 000 and 1 000 000 2 think about the number 45 678 900 say this number aloud complete this sentence the millions digit will change when this number is rounded to the nearest 2 856 389 mar 5th 2023

*gemeinde stadt basel kanton basel stadt tageskarte* - May 20 2022

web anzahl tageskarten 15 preis pro tageskarte in chf 43 00 ga tageskarte reservieren weitere details und bemerkungen

*buenos aires 1 15 000 einzelkarten buenos aires c book* - Mar 30 2023

web 1 buenos aires 1 15 000 einzelkarten buenos aires c luther münzer and the bookkeepers of the reformation jul 02 2021 forte made his playwriting debut in 1970 with his first play martin luther v 1 4 1906 11 laurel and hardy

buenos aires 1 15 000 einzelkarten buenos aires c download - Dec 27 2022

web right here we have countless book buenos aires 1 15 000 einzelkarten buenos aires c and collections to check out we additionally have the funds for variant types and moreover type of the books to browse the standard book fiction history novel scientific research as without difficulty as various

**buenos aires 1 15 000 einzelkarten buenos aires c download** - Oct 25 2022

web this is likewise one of the factors by obtaining the soft documents of this buenos aires 1 15 000 einzelkarten buenos aires c by online you might not require more get older to spend to go to the ebook introduction as without difficulty as search for them in some cases you likewise get not discover the notice buenos aires 1 15 000

*buenos aires 1 15 000 einzelkarten buenos aires c full pdf* - Aug 03 2023

web buenos aires 1 15 000 einzelkarten buenos aires c 5 5 daily when congress is in session the congressional record began publication in 1873 debates for sessions prior to 1873 are recorded in the debates and proceedings in the congress of the united states 1789 1824 the register of debates in congress 1824 1837 and the congressional

tageskarte basler verkehrs betriebe - Feb 14 2022

web nov 5 2023 tageskarte tageskarten erhalten sie via tnw tickets app am schalter des bvb kundenzentrums am barfi am

blt schalter an der heuwaage an kiosken und am bahnhof sbb tageskarten welche im vorverkauf bezogen werden müssen vor antritt der ersten fahrt am billettautomaten entwertet werden die tageskarten können auch

**buenos aires 1 15 000 einzelkarten buenos aires c** - Aug 23 2022

web if you want to download and install the buenos aires 1 15 000 einzelkarten buenos aires c it is utterly easy then previously currently we extend the partner to purchase and create bargains to download and install buenos aires 1 15 000 einzelkarten buenos aires c fittingly simple

**buenos aires 1 15 000 einzelkarten buenos aires c uniport edu** - Jun 20 2022

web may 17 2023 buenos aires 1 15 000 einzelkarten buenos aires c 1 6 downloaded from uniport edu ng on may 17 2023 by guest buenos aires 1 15 000 einzelkarten buenos aires c when people should go to the ebook stores search launch by shop shelf by shelf it is truly problematic this is why we present the ebook compilations in this website

*buenos aires 1 15 000 einzelkarten buenos aires c john* - Jul 22 2022

web 1 buenos aires 1 15 000 einzelkarten buenos aires c getting the books buenos aires 1 15 000 einzelkarten buenos aires c now is not type of inspiring means you could not unaided going later ebook growth or library or borrowing from your contacts to door them this is an no question easy means to specifically acquire lead by on line this online

**baselcard gratis gästekarte exklusive vorteile basel com** - Apr 18 2022

web die baselcard gibt s als attraktiven bonus zu jeder buchung in einem basler hotel hostel bed and breakfast oder appartement gratis dazu ihre persönliche gästekarte erhalten sie beim check in und sie können sie auch als web app auf ihr smartphone laden die baselcard app funktioniert grösstenteils offline und bietet dieselben

buenos aires 1 15 000 einzelkarten buenos aires centro 1 15 000 - Nov 25 2022

web buenos aires 1 15 000 einzelkarten buenos aires centro 1 15 000 isla martin garcia 1 18 000 nunez 1 15 000 boca 1 15 000 buenos aires 1 75 000 metrovias berndtson city streets by collectif

**besucherparkkarte visitor parking permit basel** - Mar 18 2022

web the visitor parking permits are available for half a day or a full day the half day permit costs 12 chf and is valid on the day of issue either in the morning from 8 am to 1 pm or in the afternoon from 12 noon to 7 pm a full day parking permit costs 20 chf for each car identified by its license plate up to 12 visitor permits per year can

**buenos aires 1 15 000 einzelkarten buenos aires c full pdf** - Jun 01 2023

web buenos aires 1 15 000 einzelkarten buenos aires c downloaded from api 2 crabplace com by guest randall hudson public health service publication hearingsdepartments of state justice commerce the judiciary and related agencies appropriations for 1967statistical annuary of the city of buenos aires

*buenos aires 1 15 000 einzelkarten buenos aires c paul* - Feb 26 2023

web comprehending as well as conformity even more than other will give each success next to the message as skillfully as acuteness of this buenos aires 1 15 000 einzelkarten buenos aires c can be taken as without difficulty as picked to act loving you supporting you believing in you always happy 16th birthday birthday gift publishing 2020

[buenos aires 1 15 000 einzelkarten buenos aires c copy](#) - Sep 23 2022

web apr 3 2023 buenos aires 1 15 000 einzelkarten buenos aires c 2 6 downloaded from uniport edu ng on april 3 2023 by guest evolving in the course of the transformation processes in post socialist countries namely the czech republic which model has influenced political choices and what is the final outcome contents the

**buenos aires 1 15 000 einzelkarten buenos aires centro 1 15 000** - Oct 05 2023

web buenos aires 1 15 000 einzelkarten buenos aires centro 1 15 000 noenez 1 15 000 boca 1 15 000 isla mart n garcia 1 18 000 buenos aires 1 75 000 administrative time zones borch maps englisch folded map 8 dezember 2006 isbn kostenloser versand für alle bücher mit versand und verkauf duch amazon

**peroxide in der medizin eine aufforderung zu fors 2022** - Jan 27 2022

web reflects the amount of reactive substances lipid peroxides and aldehydes in the sample for example normal subjects will have less than 4 nmol ml of serum lipid peroxides

*peroxide in der medizin eine aufforderung zu fors pdf peter* - Apr 10 2023

web jun 21 2023 recognizing the showing off ways to get this ebook peroxide in der medizin eine aufforderung zu fors pdf is additionally useful you have remained in right site to

**organische peroxide gefahren arbeitsschutz haufe** - Apr 29 2022

web dec 16 2013 organische peroxide gefahren und eigenschaften peroxide wirken reizend oder ätzend auf haut schleimhaut und atemwege beim umgang mit peroxiden

[peroxide chemie de](#) - Nov 05 2022

web dies ist auch die basis der funktionsweise verschiedener enzyme wie z b des cytochrom p450 organische verbindungen mit labilen c h bindungen wie z b ether

[peroxide in der medizin eine aufforderung zu fors download](#) - Dec 06 2022

web peroxide in der medizin eine aufforderung zu fors peroxide in der medizin eine aufforderung zu fors ftp bonide oct 19 2022 eine aufforderung zu fors downloaded

[peroxide in der medizin eine aufforderung zu fors ftp bonide](#) - May 11 2023

web peroxide in der medizin eine aufforderung zu fors 3 3 important biological determinants tooth whitening diane publishing growing experimental evidence is

[peroxide in der medizin eine aufforderung zu](#) - Mar 09 2023

web peroxide in der medizien eine aufforderung zu forschung und krebstherapie ebook gartz jochen amazon de bücher zum hauptinhalt

*peroxide in der medizien eine aufforderung zu fors pdf qr bonide* - May 31 2022

web peroxide in der medizien eine aufforderung zu fors downloaded from qr bonide com by guest bray harrison  
monooxygenase peroxidase and peroxygenase properties

**peroxide in der medizien eine aufforderung zu fors pdf** - Oct 04 2022

web peroxide in der medizien eine aufforderung zu fors 3 3 generous support which made this second course a reality the neutrophil springer science business media es gibt

**peroxide wikipedia** - Feb 08 2023

web peroxide veraltet auch peroxyde geschrieben sind eine chemische stoffgruppe die das peroxidanion o<sub>2</sub><sup>-</sup> beziehungsweise eine peroxygruppe o-o<sup>-</sup> enthalten im

**peroxide in der medizien eine aufforderung zu fors** - Feb 25 2022

web ergebnisse der inneren medizien und kinderheilkunde advances in internal medicine and pediatrics the role of oxygen radicals in cardiovascular diseases oxidation reduction

**peroxide in der medizien eine aufforderung zu forschung und** - Mar 29 2022

web aug 2 2023 amp edin terzic anorganische peroxide amp radikale peroxide in der medizien eine aufforderung zu forschung zero peroxide test und erfahrungen zum

*peroxide in der medizien eine aufforderung zu forschung und* - Jun 12 2023

web wasserstoffperoxid anwendungen für haushalt gesundheit deckblatt zu peroxide d1 deckblatt zu peroxide peroxide in der medizien eine aufforderung zu forschung

*peroxide in der medizien eine aufforderung zu fors copy* - Aug 14 2023

web peroxide in der medizien eine aufforderung zu fors mittelpunkt mensch ethik in der medizien jan 05 2023 medizien ist keine angewandte naturwissenschaft sondern eine

**peroxide in der medizien eine aufforderung zu fors** - Jul 01 2022

web peroxide in der medizien eine aufforderung zu fors ergebnisse der inneren medizien und kinderheilkunde advances in internal medicine and pediatrics oxidative stress in aging

**peroxide in der medizien eine aufforderung zu fors pdf patricia d** - Aug 02 2022

web jul 1 2023 merely said the peroxide in der medizien eine aufforderung zu fors pdf is universally compatible with any devices to read writing science m a k halliday 2003

**peroxide in der medizien eine aufforderung zu forschung und** - Oct 24 2021

web peroxide in der medizin eine aufforderung zu forschung und krebstherapie by jochen gartz kategorie peroxid warnung vor trumps medikamentenempfehlung gesundheit sz

peroxide in der medizin eine aufforderung zu fors - Dec 26 2021

web peroxide in der medizin eine aufforderung zu fors 3 3 dass wasserstoffperoxid auch für raketentreibstoff eingesetzt werden kann explosiv geht es letztlich auch um die

**peroxide in der medizin eine aufforderung zu fors pdf ftp** - Nov 24 2021

web 2 peroxide in der medizin eine aufforderung zu fors 2022 10 25 acquired basic information and to discuss the validity of experimental models in the light of pathological

peroxidasen funktion krankheiten medlexi de - Jan 07 2023

web peroxidasen peroxidasen stellen enzyme dar welche in jedem organismus wasserstoffperoxid oder organische peroxide abbauen peroxide sind starke zellgifte

**peroxide in der medizin eine aufforderung zu fors patricia** - Sep 22 2021

web expense of peroxide in der medizin eine aufforderung zu fors and numerous books collections from fictions to scientific research in any way in the middle of them is this

**peroxide in der medizin eine aufforderung zu fors pdf** - Jul 13 2023

web peroxide in der medizin eine aufforderung zu fors downloaded from etherpad arts ac uk by guest cayden cruz the medical times and register biota

peroxide in der medizin eine aufforderung zu fors pdf - Sep 03 2022

web peroxide in der medizin eine aufforderung zu fors is available in our digital library an online access to it is set as public so you can download it instantly our book servers