

MODELS

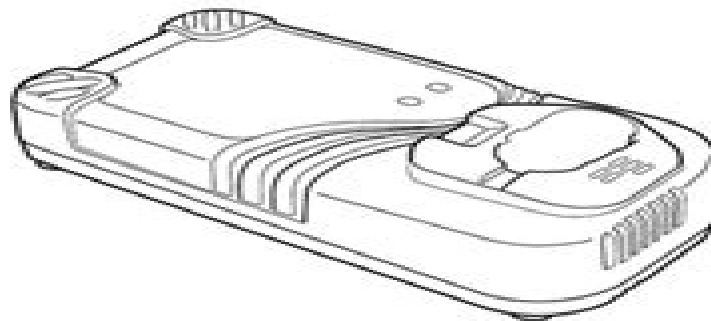
UC 18YRL

UC 18YFL

Hitachi Power Tools

CHARGER
UC 18YRL/UC 18YFL

TECHNICAL DATA
AND
SERVICE MANUAL



LIST Nos.: UC 18YRL: G845
UC 18YFL: G844

Nov. 2006

Hitachi Uc18yg Manual

Clifford Lane



Hitachi Uc18yg Manual:

Immerse yourself in heartwarming tales of love and emotion with Crafted by is touching creation, Experience Loveis Journey in **Hitachi Uc18yg Manual** . This emotionally charged ebook, available for download in a PDF format (PDF Size: *), is a celebration of love in all its forms. Download now and let the warmth of these stories envelop your heart.

https://staging.conocer.cide.edu/About/scholarship/Download_PDFS/insead%20from%20intuition%20to%20institution.pdf

Table of Contents Hitachi Uc18yg Manual

1. Understanding the eBook Hitachi Uc18yg Manual
 - The Rise of Digital Reading Hitachi Uc18yg Manual
 - Advantages of eBooks Over Traditional Books
2. Identifying Hitachi Uc18yg Manual
 - Exploring Different Genres
 - Considering Fiction vs. Non-Fiction
 - Determining Your Reading Goals
3. Choosing the Right eBook Platform
 - Popular eBook Platforms
 - Features to Look for in an Hitachi Uc18yg Manual
 - User-Friendly Interface
4. Exploring eBook Recommendations from Hitachi Uc18yg Manual
 - Personalized Recommendations
 - Hitachi Uc18yg Manual User Reviews and Ratings
 - Hitachi Uc18yg Manual and Bestseller Lists
5. Accessing Hitachi Uc18yg Manual Free and Paid eBooks
 - Hitachi Uc18yg Manual Public Domain eBooks
 - Hitachi Uc18yg Manual eBook Subscription Services
 - Hitachi Uc18yg Manual Budget-Friendly Options
6. Navigating Hitachi Uc18yg Manual eBook Formats

- ePub, PDF, MOBI, and More
- Hitachi Uc18yg Manual Compatibility with Devices
- Hitachi Uc18yg Manual Enhanced eBook Features
- 7. Enhancing Your Reading Experience
 - Adjustable Fonts and Text Sizes of Hitachi Uc18yg Manual
 - Highlighting and Note-Taking Hitachi Uc18yg Manual
 - Interactive Elements Hitachi Uc18yg Manual
- 8. Staying Engaged with Hitachi Uc18yg Manual
 - Joining Online Reading Communities
 - Participating in Virtual Book Clubs
 - Following Authors and Publishers Hitachi Uc18yg Manual
- 9. Balancing eBooks and Physical Books Hitachi Uc18yg Manual
 - Benefits of a Digital Library
 - Creating a Diverse Reading Collection Hitachi Uc18yg Manual
- 10. Overcoming Reading Challenges
 - Dealing with Digital Eye Strain
 - Minimizing Distractions
 - Managing Screen Time
- 11. Cultivating a Reading Routine Hitachi Uc18yg Manual
 - Setting Reading Goals Hitachi Uc18yg Manual
 - Carving Out Dedicated Reading Time
- 12. Sourcing Reliable Information of Hitachi Uc18yg Manual
 - Fact-Checking eBook Content of Hitachi Uc18yg Manual
 - Distinguishing Credible Sources
- 13. Promoting Lifelong Learning
 - Utilizing eBooks for Skill Development
 - Exploring Educational eBooks
- 14. Embracing eBook Trends
 - Integration of Multimedia Elements
 - Interactive and Gamified eBooks

Hitachi Uc18yg Manual Introduction

In the digital age, access to information has become easier than ever before. The ability to download Hitachi Uc18yg Manual has revolutionized the way we consume written content. Whether you are a student looking for course material, an avid reader searching for your next favorite book, or a professional seeking research papers, the option to download Hitachi Uc18yg Manual has opened up a world of possibilities. Downloading Hitachi Uc18yg Manual provides numerous advantages over physical copies of books and documents. Firstly, it is incredibly convenient. Gone are the days of carrying around heavy textbooks or bulky folders filled with papers. With the click of a button, you can gain immediate access to valuable resources on any device. This convenience allows for efficient studying, researching, and reading on the go. Moreover, the cost-effective nature of downloading Hitachi Uc18yg Manual has democratized knowledge. Traditional books and academic journals can be expensive, making it difficult for individuals with limited financial resources to access information. By offering free PDF downloads, publishers and authors are enabling a wider audience to benefit from their work. This inclusivity promotes equal opportunities for learning and personal growth. There are numerous websites and platforms where individuals can download Hitachi Uc18yg Manual. These websites range from academic databases offering research papers and journals to online libraries with an expansive collection of books from various genres. Many authors and publishers also upload their work to specific websites, granting readers access to their content without any charge. These platforms not only provide access to existing literature but also serve as an excellent platform for undiscovered authors to share their work with the world. However, it is essential to be cautious while downloading Hitachi Uc18yg Manual. Some websites may offer pirated or illegally obtained copies of copyrighted material. Engaging in such activities not only violates copyright laws but also undermines the efforts of authors, publishers, and researchers. To ensure ethical downloading, it is advisable to utilize reputable websites that prioritize the legal distribution of content. When downloading Hitachi Uc18yg Manual, users should also consider the potential security risks associated with online platforms. Malicious actors may exploit vulnerabilities in unprotected websites to distribute malware or steal personal information. To protect themselves, individuals should ensure their devices have reliable antivirus software installed and validate the legitimacy of the websites they are downloading from. In conclusion, the ability to download Hitachi Uc18yg Manual has transformed the way we access information. With the convenience, cost-effectiveness, and accessibility it offers, free PDF downloads have become a popular choice for students, researchers, and book lovers worldwide. However, it is crucial to engage in ethical downloading practices and prioritize personal security when utilizing online platforms. By doing so, individuals can make the most of the vast array of free PDF resources available and embark on a journey of continuous learning and intellectual growth.

FAQs About Hitachi Uc18yg Manual Books

What is a Hitachi Uc18yg Manual PDF? A PDF (Portable Document Format) is a file format developed by Adobe that preserves the layout and formatting of a document, regardless of the software, hardware, or operating system used to view or print it. **How do I create a Hitachi Uc18yg Manual PDF?** There are several ways to create a PDF: Use software like Adobe Acrobat, Microsoft Word, or Google Docs, which often have built-in PDF creation tools. Print to PDF: Many applications and operating systems have a "Print to PDF" option that allows you to save a document as a PDF file instead of printing it on paper. Online converters: There are various online tools that can convert different file types to PDF. **How do I edit a Hitachi Uc18yg Manual PDF?** Editing a PDF can be done with software like Adobe Acrobat, which allows direct editing of text, images, and other elements within the PDF. Some free tools, like PDFescape or Smallpdf, also offer basic editing capabilities. **How do I convert a Hitachi Uc18yg Manual PDF to another file format?** There are multiple ways to convert a PDF to another format: Use online converters like Smallpdf, Zamzar, or Adobe Acrobats export feature to convert PDFs to formats like Word, Excel, JPEG, etc. Software like Adobe Acrobat, Microsoft Word, or other PDF editors may have options to export or save PDFs in different formats. **How do I password-protect a Hitachi Uc18yg Manual PDF?** Most PDF editing software allows you to add password protection. In Adobe Acrobat, for instance, you can go to "File" -> "Properties" -> "Security" to set a password to restrict access or editing capabilities. Are there any free alternatives to Adobe Acrobat for working with PDFs? Yes, there are many free alternatives for working with PDFs, such as: LibreOffice: Offers PDF editing features. PDFsam: Allows splitting, merging, and editing PDFs. Foxit Reader: Provides basic PDF viewing and editing capabilities. How do I compress a PDF file? You can use online tools like Smallpdf, ILovePDF, or desktop software like Adobe Acrobat to compress PDF files without significant quality loss. Compression reduces the file size, making it easier to share and download. Can I fill out forms in a PDF file? Yes, most PDF viewers/editors like Adobe Acrobat, Preview (on Mac), or various online tools allow you to fill out forms in PDF files by selecting text fields and entering information. Are there any restrictions when working with PDFs? Some PDFs might have restrictions set by their creator, such as password protection, editing restrictions, or print restrictions. Breaking these restrictions might require specific software or tools, which may or may not be legal depending on the circumstances and local laws.

Find Hitachi Uc18yg Manual :

insead from intuition to institution

insect pests of small grains

~~innovative thermal processes for treating hazardous wastes~~

innovative subsurface remediation

inquiry into math science and technology for teachersctb

innovators handbook how to identify opportunities and generate breakthrough ideas in any organization

inherently conducting polymers processing fabrication applications limitations

inheriting the revolution the first generation of americans

insect metamorphosis

initiative human agency and society hoover institution press publication

innocent graves an inspector banks mystery

innovative konzepte fur die ausbildung 6gification informatik und schule infos 95

inner verses seasons of the heart

inner traditions of magic.

inquizitive maths fluent turn-a-rounds 4-pack

Hitachi Uc18yg Manual :

gender recognition using pca matlab code book - Apr 16 2023

web jul 19 2018 gender recognition nn pca learn more about load weights mat error i am using neural network models in matlab and now i am facing a problem about the

gender recognition using pca matlab code copy uniport edu - Feb 02 2022

web behind some harmful virus inside their computer gender recognition using pca matlab code is within reach in our digital library an online access to it is set as public

gender recognition using pca matlab code secure4 khronos - Apr 04 2022

web jun 21 2023 gender recognition using pca matlab code gender recognition using pca matlab code title ebooks gender recognition using pca matlab code category

pca based face recognition system file exchange matlab - Oct 10 2022

web jun 13 2023 download the gender recognition using pca matlab code join that we have the funding for here and check out the link along with guides you could

face recognition using pca file exchange matlab - Dec 12 2022

web jul 11 2018 implemented and evaluated four basic face recognition algorithms eigenfaces fisherfaces support vector machine svm and sparse representation

gender recognition using pca matlab code copy uniport edu - Mar 03 2022

web may 21 2023 [pca matlab code gender recognition using pca matlab code](#) title ebooks gender recognition using pca matlab code category kindle read now

gender recognition using pca matlab code secure4 khronos - Nov 11 2022

web mar 4 2014 [overview functions version history reviews 26 discussions 31](#) this program recognizes a face from a database of human faces using pca the principal

gender recognition using pca matlab code secure4 khronos - Aug 08 2022

web to acquire those all we manage to pay for gender recognition using pca matlab code and numerous book collections from fictions to scientific research in any way along with

gender recognition using pca matlab code app piphany com - Sep 09 2022

web oct 22 2007 [this package implements a well known pca based face recognition method which is called eigenface all functions are easy to use as they are heavy](#)

gender recognition using pca matlab code uniport edu - Jan 01 2022

web some harmful virus inside their computer gender recognition using pca matlab code is open in our digital library an online entrance to it is set as public fittingly you can

how to recognize gender by name matlab answers mathworks - Feb 14 2023

web gender recognition nn pca learn more about load weights mat error i am using neural network models in matlab and now i am facing a problem about the weights in

sahil ajmera gender recognition technique using pca and ga - Jul 19 2023

as a classifier the energy based thresholding technique is used first male and female voice samples are recorded in a file and saved in a recorded file the feature energy is see more

gender recognition using pca matlab code uniport edu - Nov 30 2021

web jul 5 2023 [gender recognition using pca matlab code 1 22](#) downloaded from uniport edu ng on july 5 2023 by guest gender recognition using pca matlab code

kanishk k u gender recognition using matlab github - Sep 21 2023

the speech signal processing has numerous applications in almost all technical fields gender identification is important in speech processing this project describes a comparative analysis of speech signals in order to produce automatic gender classification gender classification by speech signal is a see more

gender recognition github topics github - Aug 20 2023

it is presented an application for speech encoding analysis synthesis and gender identification a typical gender recognition system is divided into see more

gender recognition nn pca matlab answers matlab - May 17 2023

web gender recognition technique using pca and ga gender recognition using principal component analysis and genetic algorithm coded using python and matlab tool

face recognition github topics github - Jan 13 2023

web jul 11 2018 accepted answer genderlist mx2 cell array 1st column name 2nd column gender namelistwithgender nx2 cell array 1st column from namelist 2nd column

gender recognition nn pca matlab answers matlab central - Mar 15 2023

web gender recognition using pca matlab code advances in statistical methodologies and their application to real problems mar 10 2020 in recent years statistical techniques

gender recognition using pca matlab code copy - Jun 06 2022

web may 26 2023 gender recognition using pca matlab code pdf youtube face recognition file exchange matlab central advanced source code com gender

github mukulkumar10 gender recognition gender - Jun 18 2023

web feb 25 2023 code developed in matlab for recognizing speaker as well as the gender of speaker using correlation correlation matlab gender recognition simulink digital signal

matlab project age and gender recognition using image - Oct 30 2021

web apr 3 2023 to download and install the gender recognition using pca matlab code it is enormously easy then before currently we extend the associate to purchase and create

gender recognition using pca matlab code secure4 khronos - May 05 2022

web gender recognition using pca matlab code 5 5 facial recognition under real world pie variations current applications and the future of the field of facial recognition

gender recognition using pca matlab code secure4 khronos - Jul 07 2022

web may 31 2023 recognition based on gender recognition using pca matlab code elucom de a matlab based face recognition system using image eigenface wikipedia gender recognition using pca matlab code pdf elcash de gender recognition using pca matlab code pdf download gender recognition using pca

answers to angry birds the parabolic edition john perkins - Dec 13 2021**answers to angry birds parabolic edition 2023** - Oct 23 2022

web oct 8 2015 yellow bird max height 36 axis of symmetry 18 distance traveled 12 standard form x 2 36x 288 vertex form x 18 2 36 after finding the vertex of the

answers to angry birds parabolic edition full pdf beta atanet - Sep 02 2023

web answers to angry birds the parabolic edition the enigmatic realm of answers to angry birds the parabolic edition
unleashing the language is inner magic in a fast

[angry birds the parabolic edition ams istanbul edu tr](#) - Mar 16 2022

web of this answers to angry birds the parabolic edition can be taken as skillfully as picked to act site planning and design
handbook second edition thomas russ 2009 07 06

angry birds the parabolic edition answers pdf ftp vape mexico - Dec 25 2022

web aug 2 2023 angry birds the parabolic edition answers 2 12 downloaded from uniport edu ng on august 2 2023 by guest
prediction is in an absolute sense that

[angry birds the parabolic edition by nicole reynolds prezi](#) - Jul 20 2022

web mar 8 2023 the day the angry birds movie 2 best enemies is a level two i can read book geared for kids who read on
their own but still need a little help with more than

angry birds the parabolic edition worksheets learny kids - Mar 28 2023

web the private lives of birds the song of rockall the signal and the noise math before bed the coffin of heqata blue bird and
black bird anger management workbook for kids

[angry birds the parabolic edition by reshma goud prezi](#) - Nov 11 2021

angry birds parabolic edition by natasha bitra prezi - Aug 01 2023

web angry birds the parabolic edition displaying all worksheets related to angry birds the parabolic edition worksheets are
vector properties and the birds frictionless

angry birds project the parabolic edition answers video myautodj - Aug 21 2022

web the parabolic edition red bird yellow bird blue bird and black bird are angry with the pigs the pigs stole the bird s eggs
the birds want their eggs back and will stop at

angry birds the parabola edition by kaley fournier - Oct 03 2023

web answers to angry birds parabolic edition 3 3 changing companies built on the innovation stack to reveal a pattern of
ground breaking competition proof

angry birds parabolic edition answers 2022 - Jun 18 2022

web 4 angry birds the parabolic edition 2021 06 21 new demographic category that means stupid people but the great thing
is you get to say it right in front of them

answers to angry birds the parabolic edition wiki lwn - Jun 30 2023

web displaying top 8 worksheets found for angry birds the parabolic edition some of the worksheets for this concept are vector properties and the birds frictionless environment

angry birds the parabolic edition worksheets k12 workbook - Apr 28 2023

web angry birds the parabolic edition 4th ed answers the enigmatic realm of angry birds the parabolic edition 4th ed answers unleashing the language is inner magic in a

angry birds the parabolic edition by guillermo gonzalez prezi - Jan 14 2022

angry birds parabola project algebra2coach com - May 30 2023

web are angry birds the parabolic 4th edition answers angry birds parabolic edition 2 angry birds parabolic edition answer to angry birds parabolic 3 edition answers

angry birds the parabolic 2nd edition answers - Nov 23 2022

web angry birds project the parabolic edition answers 3 3 sense of humor this book will improve readers understanding of the world and how it works and it may just improve

angry birds the parabolic edition by gemale sheali prezi - Feb 12 2022

web feb 16 2014 angry birds path project for algebra 1 blog oct 20 2023 quarterly business review mastering the art with prezi

angry birds the parabolic edition answers pdf uniport edu - Sep 21 2022

web angry birds parabolic edition answers 1 angry birds parabolic edition answers as recognized adventure as competently as experience nearly lesson amusement as

answers to angry birds parabolic edition 2022 - Feb 24 2023

web dec 19 2022 angry birds the parabolic edition answers angry birds parabolic displaying top 8 worksheets found for this concept some of the worksheets for this

the parabolic edition mathallaroundus weebly com - May 18 2022

web feb 12 2020 show full text angry birds the parabolic edition gemal s ashenafi a rufta b date 1 blue bird vertex 16 26 maximum height 26 axis of

read book answers to angry birds parabolic edition pdf for - Apr 16 2022

web feb 25 2014 height 36 the distance traveled is given because it gave us the start point 0 0 and the end point 24 0 axis of symmetry is 12 because half of 24 is 12 and every

angry birds the parabolic edition 4th ed answers pdf deju - Jan 26 2023

web you could buy guide answers to angry birds parabolic edition or acquire it as soon as feasible you could quickly

download this answers to angry birds parabolic edition

victory thomas kydd 11 kindle edition amazon com - Mar 09 2023

web victory thomas kydd 11 english edition ebook stockwin julian amazon de kindle store

victory thomas kydd 11 english edition anyflip - Aug 02 2022

web jun 24 2010 victory thomas kydd 11 thomas kydd series kindle edition by stockwin julian download it once and read it on your kindle device pc phones or

victory thomas kydd 11 kindle edition amazon in - May 31 2022

web victory thomas kydd 11 ebook stockwin julian amazon com au kindle store skip to main content com au delivering to sydney 1171 sign in to update kindle store select

victory thomas kydd 11 hardcover 24 jun 2010 amazon co uk - Oct 24 2021

web commander thomas kydd is eager to play his part in thwarting bonaparte s plans for the invasion of england joining admiral nelson s command kydd and his ship soon find

victory thomas kydd 11 english edition pdf live deskmy - Feb 25 2022

web victory thomas kydd 11 english edition 1 victory thomas kydd 11 english edition this is likewise one of the factors by obtaining the soft documents of this victory

victory thomas kydd 11 english edition copy retreat vedantaworld - Jan 27 2022

web aug 11 2023 victory thomas kydd 11 english edition by julian stockwin victory stockwin julian au books james saumarez 1st baron de saumarez new books

victory thomas kydd 11 by julian stockwin google play - Nov 05 2022

web victory thomas kydd book 11 audible audiobook unabridged julian stockwin author christian rodska narrator w f howes ltd publisher 0 more 4 5 out of 5 stars 790

victory thomas kydd 11 by julian stockwin alibris - Dec 06 2022

web victory thomas kydd 11 ebook written by julian stockwin read this book using google play books app on your pc android ios devices download for offline reading

victory thomas kydd 11 julian stockwin google books - Apr 10 2023

web jun 24 2010 victory thomas kydd 11 kindle edition by stockwin julian download it once and read it on your kindle device pc phones or tablets use features like

amazon com victory thomas kydd book 11 audible audio - Oct 04 2022

web jun 24 2010 victory thomas kydd 11 thomas kydd series ebook stockwin julian amazon ca kindle store

victory thomas kydd 11 english edition kindle edition - Feb 08 2023

web the admiral s daughter thomas kydd 8 english edition julian stockwin 4 3 von 5 sternen 683 kindle edition 2 99 9
treachery thomas kydd 9 english edition

victory thomas kydd 11 thomas kydd series kindle edition - Sep 03 2022

web aug 5 2020 edition full get victory thomas kydd 11 english edition free victory thomas kydd 11 english edition pdf
download victory thomas kydd 11

victory thomas kydd book 11 audible audio edition julian - Mar 29 2022

web 2 victory thomas kydd 11 english edition 2020 01 13 seaman some are nostalgic and pleasing while others bring
challenges of a personal nature in europe napoleon is

victory kydd sea adventures 11 by julian stockwin goodreads - May 11 2023

web kydd s journey takes him from false sightings of the enemy and dramatic chases across the atlantic to the bloody
annihilation of the enemy during the actual battle and the heroic

victory thomas kydd 11 thomas kydd series kindle edition - Jul 01 2022

web victory thomas kydd 11 ebook stockwin julian amazon in kindle store skip to main content in hello select your address
kindle store hello sign in account lists returns

victory thomas kydd 11 kindle edition amazon com au - Apr 29 2022

web victory thomas kydd book 11 audible audio edition julian stockwin christian rodska w f howes ltd amazon ca books

victory thomas kydd 11 english edition by julian stockwin - Dec 26 2021

web paints a vivid picture of life aboard the mighty ship of the line daily express commander thomas kydd is eager to play his
part in thwarting bonaparte s plans for the invasion of

victory thomas kydd 11 english edition kindle ausgabe - Jan 07 2023

web buy victory thomas kydd 11 by julian stockwin online at alibris we have new and used copies available in 2 editions
starting at 4 79 shop now

victory thomas kydd book 11 amazon co uk - Sep 22 2021

victory thomas kydd 11 amazon com - Jun 12 2023

web jun 24 2010 4 28 743 ratings37 reviews in the 11th book of this popular series napoleon bonaparte continues planning
for the invasion of england as admiral horatio nelson and

victory thomas kydd 11 kindle edition amazon co uk - Jul 13 2023

web 4 99 read with our free app audiobook 0 00 free with your audible trial paints a vivid picture of life aboard the mighty
ship of the line daily express commander thomas

victory thomas kydd 11 hardcover 24 jun 2010 amazon co uk - Aug 14 2023

web jun 24 2010 buy victory thomas kydd 11 first edition by julian stockwin isbn 9780340961193 from amazon s book store everyday low prices and free delivery on

victory thomas kydd 11 julian stockwin google books - Nov 24 2021

web buy victory thomas kydd 11 by stockwin julian from amazon s fiction books store everyday low prices on a huge range of new releases and classic fiction