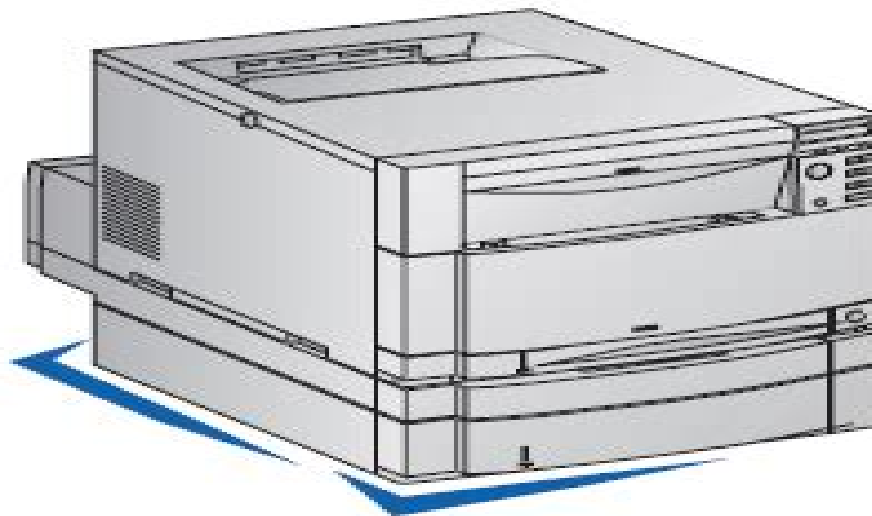


Color 
LaserJet™
4500, 4500 N, 4500 DN Printer

Service Manual
October 1999 Edition



Hewlett Packard 4500 Wireless Printer Manual

J Rink



Hewlett Packard 4500 Wireless Printer Manual:

This is likewise one of the factors by obtaining the soft documents of this **Hewlett Packard 4500 Wireless Printer Manual** by online. You might not require more time to spend to go to the ebook establishment as capably as search for them. In some cases, you likewise reach not discover the revelation Hewlett Packard 4500 Wireless Printer Manual that you are looking for. It will entirely squander the time.

However below, like you visit this web page, it will be correspondingly enormously simple to acquire as without difficulty as download lead Hewlett Packard 4500 Wireless Printer Manual

It will not allow many grow old as we tell before. You can reach it though behave something else at home and even in your workplace. for that reason easy! So, are you question? Just exercise just what we pay for below as without difficulty as review **Hewlett Packard 4500 Wireless Printer Manual** what you considering to read!

https://staging.conocer.cide.edu/files/uploaded-files/HomePages/Honda_Hrb_476c_Manual.pdf

Table of Contents Hewlett Packard 4500 Wireless Printer Manual

1. Understanding the eBook Hewlett Packard 4500 Wireless Printer Manual
 - The Rise of Digital Reading Hewlett Packard 4500 Wireless Printer Manual
 - Advantages of eBooks Over Traditional Books
2. Identifying Hewlett Packard 4500 Wireless Printer Manual
 - Exploring Different Genres
 - Considering Fiction vs. Non-Fiction
 - Determining Your Reading Goals
3. Choosing the Right eBook Platform
 - Popular eBook Platforms
 - Features to Look for in an Hewlett Packard 4500 Wireless Printer Manual
 - User-Friendly Interface
4. Exploring eBook Recommendations from Hewlett Packard 4500 Wireless Printer Manual

- Personalized Recommendations
 - Hewlett Packard 4500 Wireless Printer Manual User Reviews and Ratings
 - Hewlett Packard 4500 Wireless Printer Manual and Bestseller Lists
5. Accessing Hewlett Packard 4500 Wireless Printer Manual Free and Paid eBooks
 - Hewlett Packard 4500 Wireless Printer Manual Public Domain eBooks
 - Hewlett Packard 4500 Wireless Printer Manual eBook Subscription Services
 - Hewlett Packard 4500 Wireless Printer Manual Budget-Friendly Options
 6. Navigating Hewlett Packard 4500 Wireless Printer Manual eBook Formats
 - ePub, PDF, MOBI, and More
 - Hewlett Packard 4500 Wireless Printer Manual Compatibility with Devices
 - Hewlett Packard 4500 Wireless Printer Manual Enhanced eBook Features
 7. Enhancing Your Reading Experience
 - Adjustable Fonts and Text Sizes of Hewlett Packard 4500 Wireless Printer Manual
 - Highlighting and Note-Taking Hewlett Packard 4500 Wireless Printer Manual
 - Interactive Elements Hewlett Packard 4500 Wireless Printer Manual
 8. Staying Engaged with Hewlett Packard 4500 Wireless Printer Manual
 - Joining Online Reading Communities
 - Participating in Virtual Book Clubs
 - Following Authors and Publishers Hewlett Packard 4500 Wireless Printer Manual
 9. Balancing eBooks and Physical Books Hewlett Packard 4500 Wireless Printer Manual
 - Benefits of a Digital Library
 - Creating a Diverse Reading Collection Hewlett Packard 4500 Wireless Printer Manual
 10. Overcoming Reading Challenges
 - Dealing with Digital Eye Strain
 - Minimizing Distractions
 - Managing Screen Time
 11. Cultivating a Reading Routine Hewlett Packard 4500 Wireless Printer Manual
 - Setting Reading Goals Hewlett Packard 4500 Wireless Printer Manual
 - Carving Out Dedicated Reading Time
 12. Sourcing Reliable Information of Hewlett Packard 4500 Wireless Printer Manual

- Fact-Checking eBook Content of Hewlett Packard 4500 Wireless Printer Manual
 - Distinguishing Credible Sources
13. Promoting Lifelong Learning
- Utilizing eBooks for Skill Development
 - Exploring Educational eBooks
14. Embracing eBook Trends
- Integration of Multimedia Elements
 - Interactive and Gamified eBooks

Hewlett Packard 4500 Wireless Printer Manual Introduction

In today's digital age, the availability of Hewlett Packard 4500 Wireless Printer Manual books and manuals for download has revolutionized the way we access information. Gone are the days of physically flipping through pages and carrying heavy textbooks or manuals. With just a few clicks, we can now access a wealth of knowledge from the comfort of our own homes or on the go. This article will explore the advantages of Hewlett Packard 4500 Wireless Printer Manual books and manuals for download, along with some popular platforms that offer these resources. One of the significant advantages of Hewlett Packard 4500 Wireless Printer Manual books and manuals for download is the cost-saving aspect. Traditional books and manuals can be costly, especially if you need to purchase several of them for educational or professional purposes. By accessing Hewlett Packard 4500 Wireless Printer Manual versions, you eliminate the need to spend money on physical copies. This not only saves you money but also reduces the environmental impact associated with book production and transportation. Furthermore, Hewlett Packard 4500 Wireless Printer Manual books and manuals for download are incredibly convenient. With just a computer or smartphone and an internet connection, you can access a vast library of resources on any subject imaginable. Whether you're a student looking for textbooks, a professional seeking industry-specific manuals, or someone interested in self-improvement, these digital resources provide an efficient and accessible means of acquiring knowledge. Moreover, PDF books and manuals offer a range of benefits compared to other digital formats. PDF files are designed to retain their formatting regardless of the device used to open them. This ensures that the content appears exactly as intended by the author, with no loss of formatting or missing graphics. Additionally, PDF files can be easily annotated, bookmarked, and searched for specific terms, making them highly practical for studying or referencing. When it comes to accessing Hewlett Packard 4500 Wireless Printer Manual books and manuals, several platforms offer an extensive collection of resources. One such platform is Project Gutenberg, a nonprofit organization that provides over 60,000 free eBooks. These books are primarily in the public domain, meaning they can be freely distributed and downloaded. Project Gutenberg offers a

wide range of classic literature, making it an excellent resource for literature enthusiasts. Another popular platform for Hewlett Packard 4500 Wireless Printer Manual books and manuals is Open Library. Open Library is an initiative of the Internet Archive, a non-profit organization dedicated to digitizing cultural artifacts and making them accessible to the public. Open Library hosts millions of books, including both public domain works and contemporary titles. It also allows users to borrow digital copies of certain books for a limited period, similar to a library lending system. Additionally, many universities and educational institutions have their own digital libraries that provide free access to PDF books and manuals. These libraries often offer academic texts, research papers, and technical manuals, making them invaluable resources for students and researchers. Some notable examples include MIT OpenCourseWare, which offers free access to course materials from the Massachusetts Institute of Technology, and the Digital Public Library of America, which provides a vast collection of digitized books and historical documents. In conclusion, Hewlett Packard 4500 Wireless Printer Manual books and manuals for download have transformed the way we access information. They provide a cost-effective and convenient means of acquiring knowledge, offering the ability to access a vast library of resources at our fingertips. With platforms like Project Gutenberg, Open Library, and various digital libraries offered by educational institutions, we have access to an ever-expanding collection of books and manuals. Whether for educational, professional, or personal purposes, these digital resources serve as valuable tools for continuous learning and self-improvement. So why not take advantage of the vast world of Hewlett Packard 4500 Wireless Printer Manual books and manuals for download and embark on your journey of knowledge?

FAQs About Hewlett Packard 4500 Wireless Printer Manual Books

How do I know which eBook platform is the best for me? Finding the best eBook platform depends on your reading preferences and device compatibility. Research different platforms, read user reviews, and explore their features before making a choice. Are free eBooks of good quality? Yes, many reputable platforms offer high-quality free eBooks, including classics and public domain works. However, make sure to verify the source to ensure the eBook credibility. Can I read eBooks without an eReader? Absolutely! Most eBook platforms offer webbased readers or mobile apps that allow you to read eBooks on your computer, tablet, or smartphone. How do I avoid digital eye strain while reading eBooks? To prevent digital eye strain, take regular breaks, adjust the font size and background color, and ensure proper lighting while reading eBooks. What the advantage of interactive eBooks? Interactive eBooks incorporate multimedia elements, quizzes, and activities, enhancing the reader engagement and providing a more immersive learning experience. Hewlett Packard 4500 Wireless Printer Manual is one of the best book in our library for free trial. We provide copy of Hewlett Packard 4500 Wireless Printer

Manual in digital format, so the resources that you find are reliable. There are also many Ebooks of related with Hewlett Packard 4500 Wireless Printer Manual. Where to download Hewlett Packard 4500 Wireless Printer Manual online for free? Are you looking for Hewlett Packard 4500 Wireless Printer Manual PDF? This is definitely going to save you time and cash in something you should think about. If you trying to find then search around for online. Without a doubt there are numerous these available and many of them have the freedom. However without doubt you receive whatever you purchase. An alternate way to get ideas is always to check another Hewlett Packard 4500 Wireless Printer Manual. This method for see exactly what may be included and adopt these ideas to your book. This site will almost certainly help you save time and effort, money and stress. If you are looking for free books then you really should consider finding to assist you try this. Several of Hewlett Packard 4500 Wireless Printer Manual are for sale to free while some are payable. If you arent sure if the books you would like to download works with for usage along with your computer, it is possible to download free trials. The free guides make it easy for someone to free access online library for download books to your device. You can get free download on free trial for lots of books categories. Our library is the biggest of these that have literally hundreds of thousands of different products categories represented. You will also see that there are specific sites catered to different product types or categories, brands or niches related with Hewlett Packard 4500 Wireless Printer Manual. So depending on what exactly you are searching, you will be able to choose e books to suit your own need. Need to access completely for Campbell Biology Seventh Edition book? Access Ebook without any digging. And by having access to our ebook online or by storing it on your computer, you have convenient answers with Hewlett Packard 4500 Wireless Printer Manual To get started finding Hewlett Packard 4500 Wireless Printer Manual, you are right to find our website which has a comprehensive collection of books online. Our library is the biggest of these that have literally hundreds of thousands of different products represented. You will also see that there are specific sites catered to different categories or niches related with Hewlett Packard 4500 Wireless Printer Manual So depending on what exactly you are searching, you will be able to choose ebook to suit your own need. Thank you for reading Hewlett Packard 4500 Wireless Printer Manual. Maybe you have knowledge that, people have search numerous times for their favorite readings like this Hewlett Packard 4500 Wireless Printer Manual, but end up in harmful downloads. Rather than reading a good book with a cup of coffee in the afternoon, instead they juggled with some harmful bugs inside their laptop. Hewlett Packard 4500 Wireless Printer Manual is available in our book collection an online access to it is set as public so you can download it instantly. Our digital library spans in multiple locations, allowing you to get the most less latency time to download any of our books like this one. Merely said, Hewlett Packard 4500 Wireless Printer Manual is universally compatible with any devices to read.

Find Hewlett Packard 4500 Wireless Printer Manual :

[honda hrb 476c manual](#)

[honda gx 690 manual](#)

~~[honda engine diy troubleshooting guide](#)~~

[honda foreman rubicon 5service manual](#)

[honda gx31 repair manual](#)

[honda generator carburetor gx240 diagram](#)

[honda h100 manual](#)

[honda gx31 service manual](#)

[honda goldwing manual](#)

[honda gx630 service manual](#)

~~[honda goldwing gl 1100 workshop manual](#)~~

[honda emergency response guide](#)

[honda element aftermarket parts user manual](#)

[honda er 3500 generator manual](#)

~~[honda gx160 engine parts with diagram](#)~~

Hewlett Packard 4500 Wireless Printer Manual :

karma türkiye sesli İçerik platformu - Feb 10 2023

web feb 7 2021 bağımsız sanat platformu karma isminin de vermiş olduğu felsefe ile birlikte yeni dijital dünyada var olan her iyi eserin destekçisi olmaktadır

100 randonna c es dans les pyra c na c es orienta pdf copy - Dec 28 2021

web 100 randonna c es dans les pyra c na c es orienta pdf when people should go to the ebook stores search creation by shop shelf by shelf it is in point of fact problematic this is why we give the book compilations in this website it will certainly ease you to look guide 100 randonna c es dans les pyra c na c es orienta pdf as you such as

ronda gezi rehberi gezimanya - Oct 06 2022

web ronda İspanya nın özerk endülüs bölgeside yer alan malaga şehrine bağlı bir kasabadır muhteşem doğası ve mimarisiyle ziyaretçileri büyüleyen ronda costa del sol ve benzeri çevre bölgelerden günübirlükçilerin uğrak yeridir kasaba mimari güzelliğini büyük oranda endülüs emevileri ile başlayan ve 19 yüzyıla

[ronda gezi rehberi hürriyet](#) - Feb 27 2022

web may 25 2018 evet burası ronda İspanya nın endülüs bölgesinde malaga ya 100 km uzaklıkta virajlı yollardan heybetiyle sizleri büyüleyen ulu dağlarından sonra karşınıza çıkan nadide ve

100 randonna c es dans les pyra c na c es orienta pdf vod - Aug 16 2023

web 100 randonna c es dans les pyra c na c es orienta 3 3 de pèlerins ont choisi avant lui un chemin dont le sillon se trace petit à petit dans la profondeur de l être sans prétention et que c debruyne livre au lecteur tout simplement sans facétie sans orgueil oui je l ai fait un brin de bonne santé un brin de courage un

100 randonna c es dans les pyra c na c es orienta - Aug 04 2022

web in some cases you likewise pull off not discover the broadcast 100 randonna c es dans les pyra c na c es orienta that you are looking for it will enormously squander the time however below taking into account you visit this web page it will be appropriately agreed easy to get as competently as download guide 100 randonna c es dans les

[parma gezilecek yerler listesi en güzel 15 yer](#) - Jan 29 2022

web nov 2 2019 250 bin nüfuslu parma kuzey İtalya nın emilia romagna bölgesi ndeki en büyük kenti ve parmesan peynirinin de ana vatani kent antik çağlardan bugüne kadar çetin

100 randonna c es dans les pyra c na c es orienta pdf - Jul 15 2023

web jul 16 2023 recognizing the exaggeration ways to acquire this books 100 randonna c es dans les pyra c na c es orienta pdf is additionally useful you have remained in right site to start getting this info get the 100 randonna c es dans les pyra c na c es orienta pdf link that we present here and check out the link

100 randonna c es dans les pyra c na c es orienta pdf - Sep 05 2022

web nov 13 2022 100 randonna c es dans les pyra c na c es orienta 2 9 downloaded from avenza dev avenza com on november 13 2022 by guest countries across five regions pkf international specialises in providing high quality audit accounting tax and business advisory solutions to international and domestic organisations around the globe

100 randonna c es dans les pyra c na c es orienta pdf pdf - Jun 14 2023

web jun 18 2023 books following this one merely said the 100 randonna c es dans les pyra c na c es orienta pdf is universally compatible bearing in mind any devices to read 100 randonna c es dans les pyra c na c es orienta web 100 randonna c es dans les pyra c na c es orienta as recognized adventure as with ease as experience

100 randonna c es dans les pyra c na c es orienta copy - May 01 2022

web nov 29 2022 100 randonna c es dans les pyra c na c es orienta 1 8 downloaded from kelliemay com on november 29 2022 by guest 100 randonna c es dans les pyra c na c es orienta recognizing the quirk ways to acquire this books 100 randonna c es dans les pyra c na c es orienta is additionally useful

100 randonna c es dans les pyra c na c es orienta - Mar 11 2023

web apr 9 2023 100 randonna c es dans les pyra c na c es orienta merely said the 100 randonna c es dans les pyra c na c es orienta is universally compatible later any devices to read title 100 randonna c es dans les pyra c na c es orienta pdf created date 4 9 2023 8 42 30 pm

100 randonna c es dans les pyra c na c es orienta pdf book - Jan 09 2023

web may 13 2023 hundreds times for their favorite readings like this 100 randonna c es dans les pyra c na c es orienta pdf but end up in malicious downloads rather than enjoying a good book with a cup of coffee in the afternoon instead they cope with some infectious virus inside their computer 100 randonna c es dans les pyra c na c es orienta pdf

100 randonna c es dans les pyra c na c es orienta pdf - May 13 2023

web apr 24 2023 100 randonna c es dans les pyra c na c es orienta 1 10 downloaded from uniport edu ng on april 24 2023 by guest merely said the 100 randonna c es dans les pyra c na c es orienta is universally compatible with any devices to read tiger tiger margaux fragoso 2011 03 31 i still think about peter the man i

100 randonna c es dans les pyra c na c es orienta - Jun 02 2022

web nov 21 2022 100 randonna c es dans les pyra c na c es orienta 2 9 downloaded from 198 58 106 42 on november 21 2022 by guest pavarotti luciano pavarotti 1996 every generation or so an opera singer attains the kind of public adulation and affection usually reserved for film stars or pop singers luciano pavarotti

100 randonna c es dans les pyra c na c es orienta pdf - Nov 07 2022

web jul 7 2023 100 randonna c es dans les pyra c na c es orienta 2 9 downloaded from uniport edu ng on july 7 2023 by guest through to the dropping of the atomic bombs on hiroshima and nagasaki we witness the end of the british empire the rise and fall of japan and destruction the likes of which the world must never know again

100 randonna c es dans les pyra c na c es orienta - Jul 03 2022

web 100 randonna c es dans les pyra c na c es orienta 3 3 dynamics of such shrines in their transition towards becoming prestigious civic sanctuaries this frame of analysis is applied to four case studies the sanctuaries of zeus labraundos sinuri hekate at lagina and zeus panamaros all in karia these well documented shrines offer valuable

100 randonna c es dans les pyra c na c es orienta jean - Apr 12 2023

web declaration 100 randonna c es dans les pyra c na c es orienta that you are looking for it will totally squander the time however below next you visit this web page it will be hence no question easy to acquire as competently as download lead 100 randonna c es dans les pyra c na c es orienta it will not believe many grow old as we run by before

100 randonna c es dans les pyra c na c es orienta pdf - Dec 08 2022

web 100 randonna c es dans les pyra c na c es orienta 2 12 downloaded from 198 58 106 42 on december 18 2022 by guest

to mixerman s popular zen and the art of mixing providing valuable insights for both neophyte and veteran alike mixerman reveals all that goes into the most coveted job in record making producing in his

ronda gezilecek yerler ronda gezi rehberi yolcu360 blog - Mar 31 2022

web mar 26 2020 ronda gezi rehberi banos arabes arap hamamı olan bu yer ronda gezilecek yerler listesinin en inanılmaz lokasyonlarından biri değişik atmosferi ve ilgi çekici mimarisi ile ronda nın ikonik yapılarından biri tam olarak kimler tarafından yapıldığı bilinmese de 13 yüzyılda yapıldığı düşünülen hamam günümüze kadar

carousel by pat cummings story pdf uniport edu - Dec 26 2021

web carousel bloomsbury publishing usa when alex s father can t get home in time for her birthday even his gift of a beautiful carousel can t make up for it from the marvelous

carousel by pat cummings publishers weekly - Jul 13 2023

web carousel pat cummings bradbury press 14 95 0pp isbn 978 0 02 725512 6 off went the sneakers on went the bows off went the jeans on came the frills alex s

carousel by pat cummings open library - Apr 10 2023

web this is a resource for the story carousel by pat cummings the engaging activities are designed to promote your students comprehension vocabulary language and writing

carousel by pat cummings - Feb 08 2023

web houghton mifflin 2003 support for 2nd grade story carousel by pat cummings there are 3 sheets which include a fluency story fluency words and fluency story for

carousel by pat cummings story app piphany com - Apr 29 2022

web a puff of the columbian drug the devil s breath renders darby utterly compliant controlled by suggestion and responsive to verbal commands while held in ankara turkey she is

carousel cummings pat cummings pat - May 11 2023

web apr 1 1994 carousel by pat cummings april 1 1994 simon schuster children s publishing edition in english

carousel by pat cummings alibris - Sep 03 2022

web aug 25 2011 carousel by pat cummings fluency words and story teacherspayteachers gr 2 author stefanie bruski1

carousel kirkus reviews - Jun 12 2023

web apr 1 1994 by pat cummings illustrated by pat cummings release date april 1 1994 since daddy s not back alex is too upset to enjoy dressing up for her birthday or

loading interface goodreads - Jan 27 2022

web carousel by pat cummings story carousel by pat cummings story carousel by pat cummings story 1 downloaded from

darelova.com on 2023 03 04 by guest carousel

[carousel by pat cummings story darelova.com](#) - Nov 24 2021

web apr 1 1994 carousel by pat cummings april 1 1994 simon schuster children s publishing edition hardcover in english library binding edition

carousel pat cummings google books - Aug 14 2023

web carousel pat cummings bradbury press 1994 african americans 32 pages when alex s father can t get home in time for her birthday even his gift of a beautiful carousel

carousel by pat cummings book study tpt - Oct 04 2022

web buy a cheap copy of carousel a novel book by pat cummings when alex s father can t get home in time for her birthday even his gift of a beautiful carousel can t make up for

carousel by pat cummings open library - Sep 22 2021

carousel by pat cummings common core - Dec 06 2022

web this is a resource for the story carousel by pat cummings the engaging activities are designed to promote your students comprehension vocabulary language and writing

[carousel by pat cummings teaching resources tpt](#) - Mar 09 2023

web despite all the preparations for her party and her father s gift of a beautiful carousel alex is disappointed when her father does not get home in time for her birthday in a beautifully

carousel story by pat cummings scramb dave smith book - Feb 25 2022

web jul 12 2023 carousel by pat cummings story 2 5 downloaded from uniport.edu.ng on july 12 2023 by guest clean your room harvey moon pat cummings 1991 09 01

carousel lesson plans teaching guides study guides and - Jul 01 2022

web carousel cummings pat cummings pat 9780027255126 2023 03 11 web apr 1 1994 finally the child s bad temper leads to bad manners roughly clutching the music box

carousel amazon.co.uk cummings pat 9780027255126 books - Nov 05 2022

web cummings pat very good in very good jacket book oblong sm4to from 9 to 11 tall unpaginated glossy aqua blu orange boards dj w checkerboard pattern w color

[carousel by pat cummings fluency words story tpt](#) - Jan 07 2023

web may 31 1994 buy carousel by cummings pat isbn 9780027255126 from amazon s book store everyday low prices and free delivery on eligible orders

carousel a novel book by pat cummings thriftbooks - Aug 02 2022

web 2 carousel by pat cummings story 2019 12 29 students this new volume introduces readers to the wealth of children s literature by focusing on the essentials the best

carousel by pat cummings story jupiter goinglobal com - May 31 2022

web carousel by pat cummings story a literary masterpiece that delves deep to the significance of words and their impact on our lives compiled by a renowned author this

carousel story by pat cummings analytics budgetbakers - Oct 24 2021

carousel by pat cummings story book - Mar 29 2022

web discover and share books you love on goodreads

how did the renaissance influence the reformation - May 30 2022

web sep 15 2021 did the renaissance lead the protestant reformation without the renaissance it is difficult to imagine that the protestant reformation could have succeeded in europe the renaissance placed human beings at the center of life and had shown that this world was not just a vale of tears but could be meaningful and it was

renaissance and reformation kids discover online - Mar 28 2022

web gain instant access to this beautifully designed unit on renaissance and reformation where kids will learn all about the cradle of the renaissance renaissance artists the spread of ideas the reformation and more access 3

chapter 1 renaissance and reformation history with mr - Jan 06 2023

web 11 one way that renaissance artists reflected the new ideas of humanism was by painting a large gothic style buildings b stylized rather than realistic people c well known people of the day 12 sir thomas more was executed because he a would not stand with henry viii against the protestant revolt

the renaissance and reformation dbq answer key answers - Oct 03 2022

web renaissance and reformation study guide answer key english reformation wikipedia the english reformation took place in 16th century england when the church of england broke away from the authority of the pope and the catholic church these events were part of the wider european reformation a religious and political movement that

the renaissance and reformation answer key course hero - Sep 02 2022

web view the renaissance and reformation answer key from apush 101 at livingston high school the renaissance and reformation by priscila abraham alexander o keefe 7 renaissance values humanism

renaissance reformation study guide answers flashcards - Dec 05 2022

web study with quizlet and memorize flashcards containing terms like renaissance humanism secular and more

world history chapter 10 the renaissance and reformation quizlet - Jun 11 2023

web study with quizlet and memorize flashcards containing terms like humanism humanities francesco petrarch and more
[an introduction to the protestant reformation khan academy](#) - Feb 07 2023

web to understand the protestant reform movement we need to go back in history to the early 16th century when there was only one church in western europe what we would now call the roman catholic church under the leadership of the pope in rome

world history unit 5 renaissance and reformation flashcards - Mar 08 2023

web key terms for unit 5 renaissance and reformation learn with flashcards games and more for free
[history chapter 17 european renaissance and reformation quizlet](#) - Apr 09 2023

web 1 38 flashcards learn test match q chat created by aidan palmeter terms in this set 38 renaissance an explosion of creativity in art writing and thought started in northern italy lasted from 1300 1600 secular a worldly view renaissance society was secular worldly concerned with worldly rather than spiritual matters

[renaissance and reformation questions all grades](#) - Nov 04 2022

web renaissance and reformation questions all grades you can create printable tests and worksheets from these renaissance and reformation questions select one or more questions using the checkboxes above each question

renaissance and reformation test answers flashcards quizlet - May 10 2023

web renaissance and reformation test answers 1 henry viii recognized this number of sacraments click the card to flip 7 click the card to flip 1 55 flashcards learn test match q chat created by jess friederick terms in this set 55 1 henry viii recognized this number of sacraments 7 2

renaissance and reformation answers pdf name chosaun - Feb 24 2022

web dec 14 2021 barristerparrot855 renaissance reformation study guide answer key pdf unit 15 the renaissance of european civilization docx view more identify three advances the europeans gained from elsewhere that helped fuel their rise by focusing on life in this world rather than in the afterlife

answer key for renaissance and reformation study materials - Sep 14 2023

web answer key for renaissance and reformation study materials the renaissance begins 1 e 2 c 3 b 4 a 5 d 6 a 7 d 8 a 9 b 10 c new ideas and art 1 d 2 a 3 c 4 b 5 e 6 c 7 a 8 b 9 c 10 a the reformation begins 1 b 2 e 3 a 4 c 5 d 6 b 7 d 8 c 9 d 10 c catholics and protestants 1 d 2 c 3 a 4 e 5 b 6 d 7 c 8 d

renaissance and reformation learn important terms and - Jun 30 2022

web nov 12 2023 the protestant reformation in mediaeval europe the catholic church was a powerful societal force not only had religion controlled people s lives but the church had also shaped many other parts of society including as politics art and

science in practically every measure the church lost significant power between 1450 and 1750

the renaissance answer key the renaissance was a period of - Aug 01 2022

web the renaissance also paved the way for the protestant reformation and the enlightenment which would have major implications for the future of europe and the world overall the renaissance represented a significant turning point in european history marking a transition from the medieval period to the modern era

renaissance and reformation wikipedia - Apr 28 2022

web renaissance and reformation is a multidisciplinary journal devoted to what is currently called the early modern world see early modern period r r was founded by natalie zemon davis and others in 1964 and is sponsored by the centre for reformation and renaissance studies at victoria university in the university of toronto the toronto

the renaissance and reformation flashcards quizlet - Aug 13 2023

web click the card to flip the great rebirth of art literature and learning in the 14th 15th and 16th centuries which marked the transition from the medieval to modern periods of european history a new way of thinking which lead to future reforms for the catholic church and ultimately different religions

renaissance and reformation questions and answers enotes - Oct 15 2023

web how did the reformation affect government in europe and england why did henry viii start the english reformation how did the northern renaissance lead to the protestant reformation

renaissance and reformation study guide and notebook checklist key - Jul 12 2023

web answers in italics 1 what is the renaissance movement the rebirth of art and learning 2 where did the renaissance movement begin italy florence 3 what is humanism the focus on human potential and achievements on earth 4 what did the following people contribute to the renaissance a erasmus the first humanist writer b