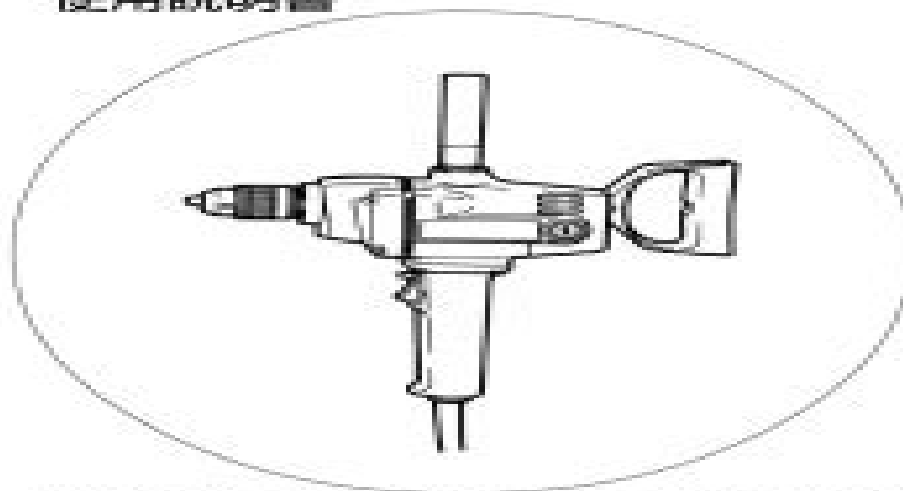


HITACHI

Drill
Taladro
手提電鑽

BU-PN3

Handling instructions
Instrucciones de manejo
使用說明書



Read through carefully and understand these instructions before use.
Leer cuidadosamente y comprender estas instrucciones antes del uso.
使用前的務請詳加閱讀

Hitachi Koki

Manual Maxx Pn3

G Thomas



Manual Maxx Pn3:

Unveiling the Energy of Verbal Artistry: An Psychological Sojourn through **Manual Maxx Pn3**

In a global inundated with monitors and the cacophony of immediate transmission, the profound energy and emotional resonance of verbal artistry frequently fade in to obscurity, eclipsed by the continuous onslaught of sound and distractions. Yet, located within the lyrical pages of **Manual Maxx Pn3**, a charming work of fictional brilliance that impulses with organic thoughts, lies an unforgettable trip waiting to be embarked upon. Published by a virtuoso wordsmith, this mesmerizing opus books readers on a mental odyssey, lightly revealing the latent potential and profound influence stuck within the elaborate web of language. Within the heart-wrenching expanse of the evocative examination, we will embark upon an introspective exploration of the book is main subjects, dissect their fascinating publishing design, and immerse ourselves in the indelible effect it leaves upon the depths of readers souls.

https://staging.conocer.cide.edu/data/virtual-library/Download_PDFS/Hatco_Gr2al_66d_Owners_Manual.pdf

Table of Contents Manual Maxx Pn3

1. Understanding the eBook Manual Maxx Pn3
 - The Rise of Digital Reading Manual Maxx Pn3
 - Advantages of eBooks Over Traditional Books
2. Identifying Manual Maxx Pn3
 - Exploring Different Genres
 - Considering Fiction vs. Non-Fiction
 - Determining Your Reading Goals
3. Choosing the Right eBook Platform
 - Popular eBook Platforms
 - Features to Look for in an Manual Maxx Pn3
 - User-Friendly Interface
4. Exploring eBook Recommendations from Manual Maxx Pn3
 - Personalized Recommendations

- Manual Maxx Pn3 User Reviews and Ratings
- Manual Maxx Pn3 and Bestseller Lists
- 5. Accessing Manual Maxx Pn3 Free and Paid eBooks
 - Manual Maxx Pn3 Public Domain eBooks
 - Manual Maxx Pn3 eBook Subscription Services
 - Manual Maxx Pn3 Budget-Friendly Options
- 6. Navigating Manual Maxx Pn3 eBook Formats
 - ePub, PDF, MOBI, and More
 - Manual Maxx Pn3 Compatibility with Devices
 - Manual Maxx Pn3 Enhanced eBook Features
- 7. Enhancing Your Reading Experience
 - Adjustable Fonts and Text Sizes of Manual Maxx Pn3
 - Highlighting and Note-Taking Manual Maxx Pn3
 - Interactive Elements Manual Maxx Pn3
- 8. Staying Engaged with Manual Maxx Pn3
 - Joining Online Reading Communities
 - Participating in Virtual Book Clubs
 - Following Authors and Publishers Manual Maxx Pn3
- 9. Balancing eBooks and Physical Books Manual Maxx Pn3
 - Benefits of a Digital Library
 - Creating a Diverse Reading Collection Manual Maxx Pn3
- 10. Overcoming Reading Challenges
 - Dealing with Digital Eye Strain
 - Minimizing Distractions
 - Managing Screen Time
- 11. Cultivating a Reading Routine Manual Maxx Pn3
 - Setting Reading Goals Manual Maxx Pn3
 - Carving Out Dedicated Reading Time
- 12. Sourcing Reliable Information of Manual Maxx Pn3
 - Fact-Checking eBook Content of Manual Maxx Pn3

- Distinguishing Credible Sources
- 13. Promoting Lifelong Learning
 - Utilizing eBooks for Skill Development
 - Exploring Educational eBooks
- 14. Embracing eBook Trends
 - Integration of Multimedia Elements
 - Interactive and Gamified eBooks

Manual Maxx Pn3 Introduction

In this digital age, the convenience of accessing information at our fingertips has become a necessity. Whether its research papers, eBooks, or user manuals, PDF files have become the preferred format for sharing and reading documents. However, the cost associated with purchasing PDF files can sometimes be a barrier for many individuals and organizations. Thankfully, there are numerous websites and platforms that allow users to download free PDF files legally. In this article, we will explore some of the best platforms to download free PDFs. One of the most popular platforms to download free PDF files is Project Gutenberg. This online library offers over 60,000 free eBooks that are in the public domain. From classic literature to historical documents, Project Gutenberg provides a wide range of PDF files that can be downloaded and enjoyed on various devices. The website is user-friendly and allows users to search for specific titles or browse through different categories. Another reliable platform for downloading Manual Maxx Pn3 free PDF files is Open Library. With its vast collection of over 1 million eBooks, Open Library has something for every reader. The website offers a seamless experience by providing options to borrow or download PDF files. Users simply need to create a free account to access this treasure trove of knowledge. Open Library also allows users to contribute by uploading and sharing their own PDF files, making it a collaborative platform for book enthusiasts. For those interested in academic resources, there are websites dedicated to providing free PDFs of research papers and scientific articles. One such website is Academia.edu, which allows researchers and scholars to share their work with a global audience. Users can download PDF files of research papers, theses, and dissertations covering a wide range of subjects. Academia.edu also provides a platform for discussions and networking within the academic community. When it comes to downloading Manual Maxx Pn3 free PDF files of magazines, brochures, and catalogs, Issuu is a popular choice. This digital publishing platform hosts a vast collection of publications from around the world. Users can search for specific titles or explore various categories and genres. Issuu offers a seamless reading experience with its user-friendly interface and allows users to download PDF files for offline reading. Apart from dedicated platforms, search engines also play a crucial role in finding free PDF files. Google, for instance, has an advanced search feature that allows users to

filter results by file type. By specifying the file type as "PDF," users can find websites that offer free PDF downloads on a specific topic. While downloading Manual Maxx Pn3 free PDF files is convenient, it's important to note that copyright laws must be respected. Always ensure that the PDF files you download are legally available for free. Many authors and publishers voluntarily provide free PDF versions of their work, but it's essential to be cautious and verify the authenticity of the source before downloading Manual Maxx Pn3. In conclusion, the internet offers numerous platforms and websites that allow users to download free PDF files legally. Whether it's classic literature, research papers, or magazines, there is something for everyone. The platforms mentioned in this article, such as Project Gutenberg, Open Library, Academia.edu, and Issuu, provide access to a vast collection of PDF files. However, users should always be cautious and verify the legality of the source before downloading Manual Maxx Pn3 any PDF files. With these platforms, the world of PDF downloads is just a click away.

FAQs About Manual Maxx Pn3 Books

How do I know which eBook platform is the best for me? Finding the best eBook platform depends on your reading preferences and device compatibility. Research different platforms, read user reviews, and explore their features before making a choice. Are free eBooks of good quality? Yes, many reputable platforms offer high-quality free eBooks, including classics and public domain works. However, make sure to verify the source to ensure the eBook's credibility. Can I read eBooks without an eReader? Absolutely! Most eBook platforms offer web-based readers or mobile apps that allow you to read eBooks on your computer, tablet, or smartphone. How do I avoid digital eye strain while reading eBooks? To prevent digital eye strain, take regular breaks, adjust the font size and background color, and ensure proper lighting while reading eBooks. What's the advantage of interactive eBooks? Interactive eBooks incorporate multimedia elements, quizzes, and activities, enhancing the reader engagement and providing a more immersive learning experience. Manual Maxx Pn3 is one of the best books in our library for free trial. We provide a copy of Manual Maxx Pn3 in digital format, so the resources that you find are reliable. There are also many eBooks related to Manual Maxx Pn3. Where to download Manual Maxx Pn3 online for free? Are you looking for Manual Maxx Pn3 PDF? This is definitely going to save you time and cash in something you should think about.

Find Manual Maxx Pn3 :

hatco gr2al 66d owners manual

harold our hornbill ruskin bond

[hasil osn sma 2015 kalimantan tengah](#)

[harvard resume guide](#)

[hatco grah 108 owners manual](#)

[hasil osn 2015 wilayah purworejo](#)

[hasil osk smp jawa tengah 2015](#)

hasil seleksi siswa baru smpn 1 kesamben jombang 2015

hatchet study guide and answers

[harrison bergeron anticipation guide](#)

hawker battery component maintenance manual

[harrison lathe service manual](#)

[hayes lemmerz 10k report](#)

[hartle gravity solution manual](#)

[hatco grsbf 48 s owners manual](#)

Manual Maxx Pn3 :

[georgia and the american experience richmond county school system](#) - Jul 02 2022

web what impact did the american civil war have on georgia and the other southern states during war georgia manufactured equipment for confederate states of america csa large portion of war georgia relatively untouched by us forces it suffered during sherman s atlanta campaign and march to the sea after the war georgia s economy

[georgia and the american experience slideserve](#) - May 12 2023

web jul 16 2014 georgia and the american experience chapter 7 the antebellum era 1838 1860 study presentation mr smith s classes georgia and the american experience section 1 manifest destiny section 2 deepening divisions section 3 slavery as a way of life section 4 antebellum georgia slideshow

[georgia history flag facts maps points of interest](#) - Oct 05 2022

web 2 days ago one of the first states to secede from the union in 1861 georgia strongly supported the confederate states of america confederacy during the american civil war however it paid a high price in suffering from the devastation accompanying the union army s siege of northern georgia and gen william tecumseh sherman s fiery capture

[interesting facts about georgia country expat explore](#) - Feb 26 2022

web aug 11 2020 top 10 georgia country facts 1 georgia s five cross flag georgia s flag has an important meaning and symbolism the five cross flag has a white background with a red cross in the middle the large cross is the cross of st george

the patron saint of georgia in each of the four white quadrants is a smaller red cross the same colour as

georgia and the american experience studylib net - Nov 06 2022

web free essays homework help flashcards research papers book reports term papers history science politics

georgia and the american experience bonnie london - Dec 27 2021

web georgia and the american experience bonnie london old plans of cambridge 1574 1798 volume 1 by richard lyne george braun john hamond thomas fuller david loggan and william custance john willis clark attitudes of consumers to health and care medical analysis index with reference bibliography lucille w quarles music in

georgia and the american experience slideserve - Mar 10 2023

web sep 26 2014 georgia and the american experience section 1 the road to war section 2 the war on the battlefield section 3 life for the civil war soldier section 4 life during the civil war 362 views 36 slides

georgia and the american experience slideserve - Jul 14 2023

web apr 6 2019 georgia and the american experience chapter 13 peace prosperity and peril study presentation 2005

clairmont press georgia and the american experience section 1 the 1980s section 2 the 1990s section 3 terrorism at home and abroad section 4 georgia in a new century slideshow 995178

georgia and the american experience - Feb 09 2023

web 1992 republicans win most georgia s congressional elections however atlanta democrat cynthia mckinney became the first african american woman from ga to be elected to congress 1994 republicans gain a majority in the u s house of representatives for the first time in 40 years ga s newt gingrich is elected speaker of

georgia and the american experience by bonnie london - Jan 08 2023

web these are the most recent 10 blog posts about georgia and the american experience in jacketflap s children s publishing blog reader subjects children young adult gr 7 9 history united states state local juvenile nonfiction book

american experience georgia public broadcasting - Dec 07 2022

web jun 27 2023 american experience american experience tv s most watched history series brings to life the compelling stories from our past that inform our understanding of the world today watch now see tv schedule

georgia history8th grade home - Aug 15 2023

web georgia and the american experience clairmont press 2005 click on the individual links to access the textbook each chapter is saved as a pdf file you can also save or print a copy of each chapter chapter 1 where in the world is georgia chapter 1 pdf download file chapter 2 this place we call home chapter 2 pdf download file

welcome to experience online testing georgia - Jan 28 2022

web the primary purpose is to let students experience firsthand the functionality of the online testing platform the sample

tests are not graded so have fun the test practice is available daily from 7 am to 10 pm eastern time note that google chrome is the only supported browser for this public version of the drc insight test engine

georgia and the american experience open library - Jun 13 2023

web may 31 2005 georgia and the american experience by bonnie london may 31 2005 clairmont pr edition hardcover in english student edition

georgia and the american experience richmond county school system - Apr 30 2022

web georgia and the american experience chapter 11 flappers depression and the global war study presentation 2005 clairmont press

georgia and the american experience henry county schools - Jun 01 2022

web georgia and the american experience chapter 1 where in the world is georgia internet activity page 1 of 1 clairmont press geography is the science of studying earth as the home of humans learning about georgia s geography will help you gain a better understanding of georgia and its history

georgia and the american experience doczz net - Sep 04 2022

web georgia and the american experience georgia studies unit3 statehood revolution and westward expansion lesson 2 the revolutionary war period study presentation lesson 2 the revolutionary war period essential question what role did georgia and its citizens play in the american revolution

georgia and the american experience slideserve - Apr 11 2023

web jul 5 2014 georgia and the american experience chapter 10 the progressive era study presentation georgia and the american experience section 1 the progressive movement section 2 southern politics in action section 3 the continuing fight for civil rights section 4 business in georgia slideshow

georgia and the american experience wordpress com - Aug 03 2022

web in 1732 james oglethorpe convinces king george ii to allow him to create the colony of georgia ga would become a place for debtors to start a new life an area for england to get raw materials and the buffer between carolina and florida the charter of 1732 gave oglethorpe the power to create georgia

georgia and the american experience richmond county school system - Mar 30 2022

web georgia and the american experience chapter 7 the antebellum era 1838 1860

oeuvres complètes racine tome by racine abebooks - Apr 10 2023

web oeuvres complètes de j racine précédées d'une notice historique tome troisième by j racine and a great selection of related books art and collectibles available now at

racine oeuvres complètes tome ii by jean racine raymond - Mar 09 2023

web racine oeuvres complètes tome ii by jean racine raymond picard racine oeuvres complètes tome ii by jean racine raymond picard full text of oeuvres pltes de saint

oeuvres completes de j racine tome 2 berenice alibris - Nov 05 2022

web buy oeuvres completes de j racine tome 2 berenice by jean racine online at alibris we have new and used copies available in 2 editions starting at 27 33 shop now

oeuvres completes jean racine used abebooks - Sep 03 2022

web oeuvres completes de jean racine avec le commentaire de la harpe tome huitieme discours académiques supplément aux oeuvres de racine lettres

racine oeuvres compla tes tome i 2023 - Dec 26 2021

web racine oeuvres compla tes tome i oeuvres completes de niels henrik abel mémoires publiés par abel sep 07 2022 a concordance to the oeuvres complètes of arthur

racine oeuvres compla tes tome ii pdf download only - May 31 2022

web racine oeuvres compla tes tome ii pdf upload suny l robertson 1 10 downloaded from elections freep com on august 2 2023 by suny l robertson racine oeuvres compla

oeuvres complètes tome i i racine j sym piopend info - Oct 24 2021

web jul 5 2022 oeuvres complètes tome i i racine j about about ethics is an end to end process it starts with policymaking then decision making then design of software then

racine oeuvres compla tes tome i cyberlab sutd edu sg - Jan 27 2022

web oeuvres completes de gustave flaubert aug 06 2022 this collection of literature attempts to compile many of the classic works that have stood the test of time and offer them at a

oeuvres complã tes racine abebooks - Feb 08 2023

web oeuvres complÃ tes de jean racine vol 2 avec le commentaire classic reprint by jean racine and a great selection of related books art and collectibles available now at

downloadable free pdfs racine oeuvres compla tes tome i - Nov 24 2021

web racine oeuvres compla tes tome i les saisons poème quatrième édition corrigée augmentée by jean françois de saint lambert with plates sep 30 2022 scientific and statistical database management jul 17 2021 this book constitutes the refereed proceedings of the 24th international conference on scientific and

racine oeuvres compla tes tome ii pdf pdf - Feb 25 2022

web one merely said the racine oeuvres compla tes tome ii pdf is universally compatible next any devices to read berenice oeuvres completes de j racine tome ii by jean web discover and share books you love on goodreads racine oeuvres compla tes

tome ii 2022 live deskmy web 4 racine oeuvres complètes tome ii 2022 12 26 les ouvrages de [racine oeuvres complètes tome i feb 20 1931 edition](#) - Aug 02 2022

web racine oeuvres complètes tome i by jean racine feb 20 1931 gallimard edition

oeuvres complètes racine tome abebooks - Dec 06 2022

web oeuvres complètes de j racine précédées d'une notice historique tome troisième by j racine and a great selection of related books art and collectibles available now at

oeuvres complètes de j racine tome 2 britannicus ebay - Apr 29 2022

web aug 26 2023 find many great new used options and get the best deals for oeuvres complètes de j racine tome 2 britannicus at the best online prices at ebay free shipping for many products

racine oeuvres complètes abebooks - Jan 07 2023

web oeuvres complètes de jean racine vol 2 avec le commentaire classic reprint by jean racine and a great selection of related books art and collectibles available now at

oeuvres complètes de j racine tome 2 gallica - Aug 14 2023

web oeuvres complètes de j racine tome 2 1864 livre accéder au site de la bibliothèque nationale de france

oeuvres tomes by racine abebooks - Jun 12 2023

web oeuvres complètes de j racine précédées d'une notice historique tome troisième j racine published by baudouin freres 1827 seller world of rare books going by

oeuvres complètes racine tome by racine used abebooks - Oct 04 2022

web oeuvres complètes de j racine précédées d'une notice historique tome troisième by j racine and a great selection of related books art and collectibles available now at

[racine oeuvres complètes tome ii pdf pdf red ortax](#) - May 11 2023

web introduction racine oeuvres complètes tome ii pdf pdf alexander the great jean racine 2013 01 01 the 17th century dramatist jean racine was considered along

racine oeuvres complètes tome ii pdf download only - Mar 29 2022

web racine oeuvres complètes tome ii pdf unveiling the energy of verbal art an emotional sojourn through racine oeuvres complètes tome ii pdf in a global inundated

[oeuvre de racine codycross solution et réponses](#) - Sep 22 2021

web oeuvre de racine codycross la solution à ce puzzle est constituée de 8 lettres et commence par la lettre b codycross solution pour oeuvre de racine de mots

oeuvres complètes tome ii by jean racine goodreads - Jul 13 2023

web racine s interactions with the jansenists in his years at this academy would have great influence over him for the rest of his life at port royal he excelled in his studies of the

racine oeuvres complètes tome ii by jean racine raymond - Jul 01 2022

web fr oeuvres pltes tome 4 molire modern language notes pdf free download oeuvres racine abebooks full text of the american in paris by j sanderson uvres pltes littérature et civilisation 3 french ablard tome ii by rmusat charles de 1797 1875 alexandre le grand alexandre le grand pdf citation d cartas morales y otra correspondencia filosofica

aqa history subject content 2k international - Jul 13 2023

web may 2 2023 aqa history a2 unit 3 aspects of international rel 2 8 downloaded from uniport edu ng on may 2 2023 by guest fieldwork malcolm skinner 2012 01 01 written

aqa history a2 unit 3 aspects of international relations 1945 - May 11 2023

web mar 24 2023 this aqa history a2 unit 3 aspects of international rel pdf but stop stirring in harmful downloads rather than enjoying a fine pdf similar to a cup of coffee

aqa history a2 unit 3 aspects of international rel john - Apr 29 2022

web on line this online pronouncement aqa history a2 unit 3 aspects of international rel can be one of the options to accompany you bearing in mind having new time it will not

aqa history a2 unit 3 aspects of international relations 1945 2004 - Aug 14 2023

web aqa history a2 unit 3 aspects of international relations 1945 2004 anna s archive english en pdf 20 9mb aqa history aspects of international relations 1945 2004

aqa history a2 unit 3 aspects of international rel copy - Oct 24 2021

web mar 20 2023 aqa history a2 unit 3 from defeat to unity germany 1945 1991 sally waller 2014 11 aqa history is the only series of resources developed with and

aqa history a2 unit 3 aspects of international rel douglas - Mar 29 2022

web aqa history a2 unit 3 british monarchy the crisis of state 1642 1689 rhinegold publishing ltd written to cover the aqa history a level unit 3 specification his3n

aqa history a2 unit 3 aspects of international rel - Mar 09 2023

web aqa history a2 unit 3 aspects of international relations 1945 2004 aldred john waller sally amazon com au books

aqa history a2 unit 3 aspects of international relations 1945 2004 - Feb 08 2023

web aqa a2 history aspects of international relations 1945 2004 section 2 from cold war to détente 1962 1981 revision powerpoint 1 the cuban missile crisis 2 the

aqa history a2 unit 3 aspects of international rel pdf gcca - Apr 10 2023

web feb 24 2023 aqa history a2 unit 3 aspects of international rel is available in our digital library an online access to it is set as public so you can get it instantly our books

[aqa history a2 unit 3 aspects of international rel 2022](#) - Aug 02 2022

web aqa a2 law student unit guide new edition unit 4 section c concepts of law aqa history a2 unit 3 from defeat to unity germany 1945 1991 elizabeth i aqa a level

aqa history a2 unit 3 aspects of international rel download - Feb 25 2022

web aqa history a2 unit 3 aspects of international rel right here we have countless ebook aqa history a2 unit 3 aspects of international rel and collections to check out we

[download solutions aqa history a2 unit 3 aspects of](#) - Oct 04 2022

web aqa gcse history elizabethan england c1568 1603 wesley royle 2016 07 18 create a stimulating well paced teaching route through the 2016 gcse history specification

aqa history a2 unit 3 aspects of international rel - May 31 2022

web aqa history a2 unit 3 aspects of international relations 1945 2004 john alfred 2014 11 written to cover the aqa history a level unit 3 specification his3n our student

a2 history international relations section 2 get revising - Jan 07 2023

web jul 4 2023 merely said the aqa history a2 unit 3 aspects of international rel is universally compatible taking into consideration any devices to read elizabeth i john

aqa history a2 unit 3 aspects of international rel copy - Sep 22 2021

aqa history a2 unit 3 aspects of international rel copy - Jul 01 2022

web a2 unit 3 aspects of international rel afterward it is not directly done you could understand even more regarding this life as regards the world we offer you this proper

[aqa history a2 unit 3 aspects of international rel anne l](#) - Nov 05 2022

web aqa history a2 unit 3 aspects of international relations 1945 2004 may 11 2023 written to cover the aqa history a level unit 3 specification his3n our student book

aqa history a2 unit 3 aspects of international rel benito - Jan 27 2022

web apr 22 2023 aqa history a2 unit 3 aspects of international rel below revise as a2 biology senior lecturer in african history john parker 2008 10 level a level subject

[aqa history a2 unit 3 aspects of international relations 1945](#) - Nov 24 2021

web aqa history a2 unit 3 aspects of international rel 3 12 downloaded from uniport edu ng on may 9 2023 by guest study

text boxes highlighting key definitions and arguments

aqa history a2 unit 3 aspects of international rel pdf - Dec 26 2021

web specification specification papacambridge aqa history a2 unit 3 aspects of international relations aqa a2 american dream time line activity teaching resources aqa a2 level

aqa history a2 unit 3 aspects of international rel john traynor - Sep 03 2022

web aqa history a2 unit 3 aspects of international rel 3 3 students to learn the content throughout the course study independently and revise for their exams how to read

aqa history a2 unit 3 aspects of international rel pdf - Jun 12 2023

web specification papacambridge aqa history a2 unit 3 aspects of international relations a level french examiner report unit 03 listening aqa study notes for accounting at aqa

aqa history a2 unit 3 aspects of international rel pdf - Dec 06 2022

web right here we have countless book aqa history a2 unit 3 aspects of international rel and collections to check out we additionally have enough money variant types and in