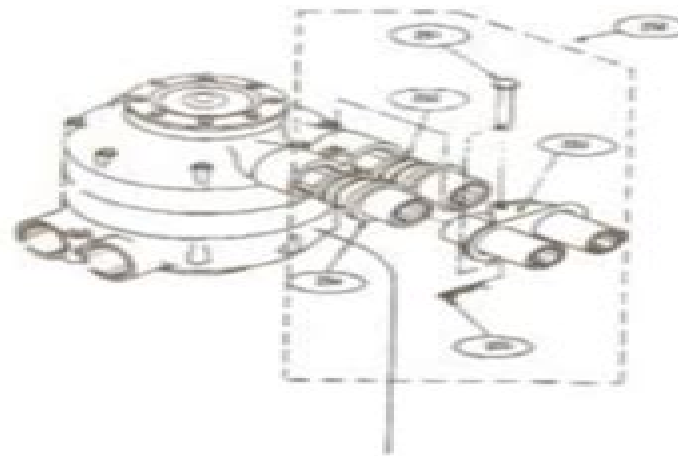
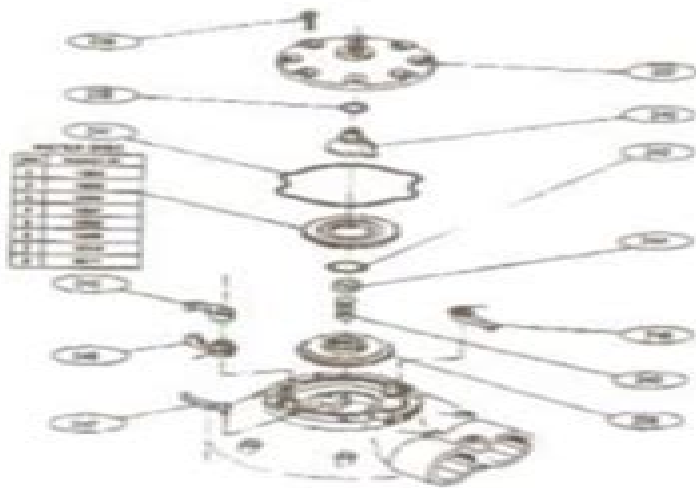


STANDARD

CAP AREA

IN / OUT ADAPTERS



| NO. | DESCRIPTION |
|-----|-------------------------|
| 226 | Screw (Cap) |
| 227 | Cap |
| 228 | Control Disc |
| 229 | O-Ring (Actuator) |
| 230 | Actuator |
| 231 | Seal (Cap) |
| 232 | O-Ring (Balance Piston) |
| 233 | Balance Piston |
| 234 | Flare (Inlet Drive) |
| 235 | Flare (Reg. Start) |
| 236 | Flare (Reg. Stop) |
| 237 | Flare (Reg. Over) |

Part numbers on page 113.

| NO. | DESCRIPTION |
|-----|------------------------------------|
| 249 | Spring (Balance Piston) |
| 250 | Kit, In/Out Adapter (Brass) |
| | Kit, In/Out Adapter (Flow-Duty) |
| | Kit, In/Out Adapter (Brass-Thread) |
| 251 | Clamp Pin |
| 252 | O-Ring (Tank Conn. In/Out) |
| 253 | Adapter Bracket In/Out |
| 254 | Adapter In/Out (Brass) |
| | Adapter In/Out (Flow-Duty) |
| | Adapter In/Out (Brass-Thread) |
| 255 | Washer |

Kinetico Water Softener Model 50c Manual

S Baum



Kinetico Water Softener Model 50c Manual:

Whispering the Techniques of Language: An Mental Journey through **Kinetico Water Softener Model 50c Manual**

In a digitally-driven world wherever monitors reign great and immediate communication drowns out the subtleties of language, the profound strategies and emotional nuances hidden within phrases usually go unheard. Yet, located within the pages of **Kinetico Water Softener Model 50c Manual** a charming fictional prize blinking with organic feelings, lies an exceptional journey waiting to be undertaken. Composed by a talented wordsmith, this wonderful opus invites viewers on an introspective journey, delicately unraveling the veiled truths and profound influence resonating within the material of every word. Within the psychological depths of this poignant review, we will embark upon a genuine exploration of the book is key subjects, dissect their captivating publishing style, and yield to the powerful resonance it evokes deep within the recesses of readers hearts.

https://staging.conocer.cide.edu/About/Resources/default.aspx/Learnkey_Study_Guide.pdf

Table of Contents Kinetico Water Softener Model 50c Manual

1. Understanding the eBook Kinetico Water Softener Model 50c Manual
 - The Rise of Digital Reading Kinetico Water Softener Model 50c Manual
 - Advantages of eBooks Over Traditional Books
2. Identifying Kinetico Water Softener Model 50c Manual
 - Exploring Different Genres
 - Considering Fiction vs. Non-Fiction
 - Determining Your Reading Goals
3. Choosing the Right eBook Platform
 - Popular eBook Platforms
 - Features to Look for in an Kinetico Water Softener Model 50c Manual
 - User-Friendly Interface
4. Exploring eBook Recommendations from Kinetico Water Softener Model 50c Manual
 - Personalized Recommendations

- Kinetico Water Softener Model 50c Manual User Reviews and Ratings
- Kinetico Water Softener Model 50c Manual and Bestseller Lists
- 5. Accessing Kinetico Water Softener Model 50c Manual Free and Paid eBooks
 - Kinetico Water Softener Model 50c Manual Public Domain eBooks
 - Kinetico Water Softener Model 50c Manual eBook Subscription Services
 - Kinetico Water Softener Model 50c Manual Budget-Friendly Options
- 6. Navigating Kinetico Water Softener Model 50c Manual eBook Formats
 - ePub, PDF, MOBI, and More
 - Kinetico Water Softener Model 50c Manual Compatibility with Devices
 - Kinetico Water Softener Model 50c Manual Enhanced eBook Features
- 7. Enhancing Your Reading Experience
 - Adjustable Fonts and Text Sizes of Kinetico Water Softener Model 50c Manual
 - Highlighting and Note-Taking Kinetico Water Softener Model 50c Manual
 - Interactive Elements Kinetico Water Softener Model 50c Manual
- 8. Staying Engaged with Kinetico Water Softener Model 50c Manual
 - Joining Online Reading Communities
 - Participating in Virtual Book Clubs
 - Following Authors and Publishers Kinetico Water Softener Model 50c Manual
- 9. Balancing eBooks and Physical Books Kinetico Water Softener Model 50c Manual
 - Benefits of a Digital Library
 - Creating a Diverse Reading Collection Kinetico Water Softener Model 50c Manual
- 10. Overcoming Reading Challenges
 - Dealing with Digital Eye Strain
 - Minimizing Distractions
 - Managing Screen Time
- 11. Cultivating a Reading Routine Kinetico Water Softener Model 50c Manual
 - Setting Reading Goals Kinetico Water Softener Model 50c Manual
 - Carving Out Dedicated Reading Time
- 12. Sourcing Reliable Information of Kinetico Water Softener Model 50c Manual
 - Fact-Checking eBook Content of Kinetico Water Softener Model 50c Manual

- Distinguishing Credible Sources
- 13. Promoting Lifelong Learning
 - Utilizing eBooks for Skill Development
 - Exploring Educational eBooks
- 14. Embracing eBook Trends
 - Integration of Multimedia Elements
 - Interactive and Gamified eBooks

Kineticco Water Softener Model 50c Manual Introduction

In the digital age, access to information has become easier than ever before. The ability to download Kineticco Water Softener Model 50c Manual has revolutionized the way we consume written content. Whether you are a student looking for course material, an avid reader searching for your next favorite book, or a professional seeking research papers, the option to download Kineticco Water Softener Model 50c Manual has opened up a world of possibilities. Downloading Kineticco Water Softener Model 50c Manual provides numerous advantages over physical copies of books and documents. Firstly, it is incredibly convenient. Gone are the days of carrying around heavy textbooks or bulky folders filled with papers. With the click of a button, you can gain immediate access to valuable resources on any device. This convenience allows for efficient studying, researching, and reading on the go. Moreover, the cost-effective nature of downloading Kineticco Water Softener Model 50c Manual has democratized knowledge. Traditional books and academic journals can be expensive, making it difficult for individuals with limited financial resources to access information. By offering free PDF downloads, publishers and authors are enabling a wider audience to benefit from their work. This inclusivity promotes equal opportunities for learning and personal growth. There are numerous websites and platforms where individuals can download Kineticco Water Softener Model 50c Manual. These websites range from academic databases offering research papers and journals to online libraries with an expansive collection of books from various genres. Many authors and publishers also upload their work to specific websites, granting readers access to their content without any charge. These platforms not only provide access to existing literature but also serve as an excellent platform for undiscovered authors to share their work with the world. However, it is essential to be cautious while downloading Kineticco Water Softener Model 50c Manual. Some websites may offer pirated or illegally obtained copies of copyrighted material. Engaging in such activities not only violates copyright laws but also undermines the efforts of authors, publishers, and researchers. To ensure ethical downloading, it is advisable to utilize reputable websites that prioritize the legal distribution of content. When downloading Kineticco Water Softener Model 50c Manual, users should also consider the potential security risks associated with online platforms. Malicious actors may exploit

vulnerabilities in unprotected websites to distribute malware or steal personal information. To protect themselves, individuals should ensure their devices have reliable antivirus software installed and validate the legitimacy of the websites they are downloading from. In conclusion, the ability to download Kinetico Water Softener Model 50c Manual has transformed the way we access information. With the convenience, cost-effectiveness, and accessibility it offers, free PDF downloads have become a popular choice for students, researchers, and book lovers worldwide. However, it is crucial to engage in ethical downloading practices and prioritize personal security when utilizing online platforms. By doing so, individuals can make the most of the vast array of free PDF resources available and embark on a journey of continuous learning and intellectual growth.

FAQs About Kinetico Water Softener Model 50c Manual Books

How do I know which eBook platform is the best for me? Finding the best eBook platform depends on your reading preferences and device compatibility. Research different platforms, read user reviews, and explore their features before making a choice. Are free eBooks of good quality? Yes, many reputable platforms offer high-quality free eBooks, including classics and public domain works. However, make sure to verify the source to ensure the eBook credibility. Can I read eBooks without an eReader? Absolutely! Most eBook platforms offer web-based readers or mobile apps that allow you to read eBooks on your computer, tablet, or smartphone. How do I avoid digital eye strain while reading eBooks? To prevent digital eye strain, take regular breaks, adjust the font size and background color, and ensure proper lighting while reading eBooks. What the advantage of interactive eBooks? Interactive eBooks incorporate multimedia elements, quizzes, and activities, enhancing the reader engagement and providing a more immersive learning experience. Kinetico Water Softener Model 50c Manual is one of the best book in our library for free trial. We provide copy of Kinetico Water Softener Model 50c Manual in digital format, so the resources that you find are reliable. There are also many Ebooks of related with Kinetico Water Softener Model 50c Manual. Where to download Kinetico Water Softener Model 50c Manual online for free? Are you looking for Kinetico Water Softener Model 50c Manual PDF? This is definitely going to save you time and cash in something you should think about.

Find Kinetico Water Softener Model 50c Manual :

learnkey study guide

learnkey session1 answers

[learning nservicebus sagas helton rich](#)

[learners licence code question papers](#)

lego manual for the harley davidson

[learning guide for subway](#)

[lehninger principles of biochemistry ultimate guide](#)

leaked maths 2014 gcse papers

leerplan d pupillen 15042

learning odyssey english 9 answers

[legal aspects of consent 2nd edition legal aspects series](#)

[learn swedish weaving huck embroidery katherine kennedy](#)

leatherworking guide gw2

[leccion 3 25 answer](#)

leccion 5 workbook page 54 answers vista higher learning

Kinetico Water Softener Model 50c Manual :

le mie vite in gioco ian sagar alessandro camagni - Jun 02 2023

web le mie vite in gioco o 3 rate da 4 43 senza interessi era il 1999 quando il diciassettenne ian sagar chiese a un suo amico di sheffield un paesino del profondo nord inglese cuore delle lotte dei minatori di fargli provare il motorino appena comprato

le mie vite in gioco 9788867832330 cultura - Apr 19 2022

web mezz ora dopo la vita di sagar prende una piega da cui non si può tornare indietro una caduta la rottura del midollo spinale la carrozzina da quel momento il mondo cambia bisogna adattarsi a una nuova realtà e imparare tutto da capo

[le mie vite in gioco 2023 cyberlab sutd edu sg](#) - Feb 15 2022

web il libro delle mie vite may 16 2023 nell arco di undici anni aleksandar hemon ha composto un autobiografia in quindici stazioni che hanno la lucidità del saggio la pienezza del romanzo di formazione e la tagliente intelligenza di una lingua che

ian sagar le mie vite in gioco add editore - Jul 03 2023

web feb 20 2019 le mie vite in gioco argomenti sport era il 1999 quando il diciassettenne ian sagar chiese a un suo amico di sheffield un paesino del profondo nord inglese cuore delle lotte dei minatori di fargli provare il motorino appena comprato

le mie vite in gioco ian sagar ebook mondadori store - May 01 2023

web mezz ora dopo la vita di sagar prende una piega da cui non si può tornare indietro una caduta la rottura del midollo spinale la carrozzina da quel momento il mondo cambia bisogna adattarsi a una nuova realtà e imparare tutto da capo

le mie vite in gioco add editore - May 21 2022

web le mie vite in gioco il libro del progetto era esaltante la gente si scontrava cadeva si sentiva il rumore del ferro delle
dettagli del progetto dove possibile si organizzerà un incontro con la casa editrice per condividere i lavori e le contenuti extra
mie vite gioco abebooks - Oct 26 2022

web mie vite in gioco le by sagar ian and a great selection of related books art and collectibles available now at abebooks
com

le mie vite in gioco ian sagar e alessandro camagni add - Jan 29 2023

web le mie vite in gioco era il 1999 quando il diciassettenne ian sagar chiese a un suo amico di sheffield un paesino del
profondo nord inglese cuore delle lotte dei minatori di fargli provare il motorino appena comprato

ian sagar a sky sport24 le mie vite in gioco youtube - Sep 24 2022

web ian sagar presenta il suo libro le mie vite in gioco a pomeriggio sky sport4 con sara benci immagini di sky sport

le mie vite in gioco by ian sagar goodreads - Aug 04 2023

web read reviews from the world s largest community for readers È il 1999 quando ian sagar diciassettenne chiede a un suo
amico di fargli provare il motorin

9788867832217 le mie vite in gioco sagar ian 8867832212 - Nov 26 2022

web le mie vite in gioco di sagar ian su abebooks it isbn 10 8867832212 isbn 13 9788867832217 add editore 2019 brossura

le mie vite in gioco ian sagar alessandro camagni libreria ibs - Sep 05 2023

web le mie vite in gioco è un libro di ian sagar alessandro camagni pubblicato da add editore nella collana sport acquista su
ibs a 13 30

le mie vite in gioco amazon fr - Feb 27 2023

web le mie vite in gioco sagar ian camagni alessandro amazon fr livres passer au contenu principal fr bonjour entrez votre
adresse toutes nos catégories sélectionnez la section dans laquelle vous souhaitez faire votre recherche rechercher amazon
fr bonjour identifiez vous compte et listes retours et commandes panier toutes

le mie vite in gioco 9788867832217 abebooks - Dec 28 2022

web abebooks com le mie vite in gioco 9788867832217 and a great selection of similar new used and collectible books
available now at great prices

le mie vite in gioco ian sagar alessandro camagni lafeltrinelli - Jun 21 2022

web le mie vite in gioco è un libro di ian sagar alessandro camagni pubblicato da add editore nella collana sport acquista su
lafeltrinelli a 13 30 aggiungi l articolo in lista

le mie vite in gioco by ian sagar ebook barnes noble - Mar 31 2023

web feb 20 2019 È il 1999 quando ian sagar diciassettenne chiede a un suo amico di fargli provare il motorino appena comprato mezz ora dopo la vita di sagar

le mie vite in gioco libreria universitaria - Jul 23 2022

web era il 1999 quando il diciassettenne ian sagar chiese a un suo amico di sheffield un paesino del profondo nord inglese cuore delle lotte dei minatori di fargli provare il motorino appena comprato mezzora dopo la vita di sagar aveva preso una piega nuova e definitiva una caduta la rottura del midollo spinale la carrozzina

pdf le mie vite in gioco by ian sagar perlego - Aug 24 2022

web mezz ora dopo la vita di sagar prende una piega da cui non si può tornare indietro una caduta la rottura del midollo spinale la carrozzina da quel momento il mondo cambia bisogna adattarsi a una nuova realtà e imparare tutto da capo

amazon it le mie vite in gioco sagar ian camagni - Oct 06 2023

web era il 1999 quando il diciassettenne ian sagar chiese a un suo amico di sheffield un paesino del profondo nord inglese cuore delle lotte dei minatori di fargli provare il motorino appena comprato mezzora dopo la vita di sagar aveva preso una piega nuova e definitiva una caduta la rottura del midollo spinale la carrozzina

le mie vite in gioco la storia di come ian sagar è diventato un - Mar 19 2022

web nov 3 2023 tipografia medium default pubblicato da add editore il libro racconta la vita di questo pluricampione dalla sua adolescenza nella campagna inglese all'incidente che lo ha reso paraplegico al percorso di rinascita e conquista di vette sportive ian sagar è

test bank microeconomics 12th edition by parkin pdfdrive - Feb 15 2022

web microeconomics 12th edition solutions manual michael parkin solutions manual answer key instructor s resource manual instructor solutions manual for all chapters are included download testbankarea download microeconomics 12th edition solutions manual michael parkin

chapter 1 test bank tenth edition parkin academia edu - Jul 23 2022

web initially the scope of microeconomics is outlined emphasizing that it is the study of choice in a world of uncertainty controversy always exists and a frame work is presented for identifying the sources of disagreement

ch 1 review questions principles of microeconomics 2e - Mar 31 2023

web 1 2 microeconomics and macroeconomics 1 3 how economists use theories and models to understand economic issues 1 4 how to organize economies an overview of economic systems key terms key concepts and summary self check questions review questions critical thinking questions

test bank for microeconomics 5th edition by besanko issuu - Mar 19 2022

web aug 2 2018 test bank test bank for microeconomics 5th edition by besanko download downloadlink org p test bank for

microeconomics 5th edition by besanko solutions manual for microeconomics 5th

microeconomics pindyck complete test bank stuvia - Sep 24 2022

web apr 17 2022 exam elaborations microeconomics pindyck complete test bank exam questions quizzes updated 2022

ap microeconomics past exam questions - Aug 24 2022

web ap microeconomics past exam questions free response questions download free response questions from past exams along with scoring guidelines sample responses from exam takers and scoring distributions

test bank for microeconomics 9th edition pindyck issuu - May 21 2022

web may 30 2018 full file at testbankscafe eu test bank for microeconomics 9th edition pindyck 25 a key factor that determines the geographic extent of a housing

midterm exam 1 principles of microeconomics economics mit - Oct 06 2023

web midterm exam 1 covers material from the beginning of the course unit 1 supply and demand unit 2 consumer theory the exam tests your conceptual mathematical and graphical understanding of the material covered in this portion of the course content review please review the content from the units covered before attempting the exam

final exam principles of microeconomics mit opencourseware - May 01 2023

web this section provides information to prepare students for the final exam of the course including a review of content practice exams and exam problems and solutions final exam principles of microeconomics economics mit opencourseware

principles of microeconomics pearson - Feb 27 2023

web sep 15 2020 principles of microeconomics published 2019 6 month access 109 99 buy access opens in a new tab 14 day temporary access available isbn 13 9780135197103 mylab economics with pearson etext for principles of microeconomics published 2019 need help get in touch explore schools

problem set 1 principles of microeconomics economics mit - Jul 03 2023

web the problem set is comprised of challenging questions that test your understanding of the material covered in the course make sure you have mastered the concepts and problem solving techniques from the following sessions before attempting the problem set introduction to microeconomics applying supply and demand elasticity problem set

principles of microeconomics question bank university of iowa - Jun 02 2023

web 05 25 2021 economics the following question bank is written by steven stong these questions have been using in a principles of microeconomics class that uses the openstax textbook principles of microeconomics 2e by steven a greenlaw and david shapiro

chapter 1 test bank microeconomics theory and applications studocu - Apr 19 2022

web microeconomics is often called a price theory b decision science c scarcity d resource theory answer a topic

microeconomics the allocation of scarce resources status old most microeconomic models assume that decision makers wish to a make themselves as well off as possible b act selfishly c make others as well off as possible

exams introduction to microeconomics - Sep 05 2023

web econ101 midterm 1 2015 solutions download 1 practice exam midterm 1 download 2 practice exam last year s midterm 1 download 3 practice exam last year s midterm 1 answers download practice mt2 econ101 withanswers 4 practice exam midterm 2 with answers download

test bank for introductory economics and introductory - Jan 29 2023

web description test bank for introductory economics and introductory macroeconomics and introductory microeconomics is an instructor s aid in developing examinations for students to test their comprehension recall and ability to analyze and interpret the basic concepts discussed in introductory economics introductory macroeconomics and

principles of microeconomics test bank marginal revolution - Nov 26 2022

web see test bank request answer key mru s collection of hundreds of microeconomics test quiz and hw questions organized around different topics and their corresponding videos

microeconomics quizzes study com - Jun 21 2022

web microeconomics quizzes check your mastery of this concept by taking a short quiz browse through all study tools

microeconomics practice test penguin random house - Aug 04 2023

web 166 cracking the ap economics macro micro exams go on to the next page price quantity a b e o s d c d 3 information in the figure above consumer surplus is represented by the area a o a c e b the second worker is hired b c d c a c d d a b c e b c e o 4 the law of diminishing marginal utility is most useful for explaining

microeconomics 7th edition pindyck test bank - Dec 28 2022

web microeconomics is the branch of economics that deals with which of the following topics the behavior of individual consumers unemployment and interest rates the behavior of individual firms and investors b and c a and c answer e diff 1 section 1 1 a rolling stones song goes you can t always get what you want

microeconomics 12th edition by michael parkin test bank - Oct 26 2022

web aug 15 2023 download complete pdf test bank for microeconomics 12th edition by michael parkin pearson gradeslab com shop gl9780133872293tb

faust jr ermittelt drei falle aus der wissensdete - Feb 27 2023

web faust jr ermittelt drei falle aus der wissensdete faust jr ermittelt drei falle aus der wissensdete is comprehensible in our digital library an online access to it is set as

buchreihe fakten wissen erleben faust jr ermittelt - May 01 2023

web jul 18 2009 mit hilfe seiner nichte luna und klugen wissenschaftlern versucht er sein gedächtnis zusammensetzen dabei entschlüsseln sie eine geschichte die tief

faust jr ermittelt drei falle aus der wissensdete 2022 - Aug 24 2022

web faust jr ermittelt drei falle aus der wissensdete goethe wörterbuch inhalt 1 lfg inhalt jammern 2 lfg jammernachbar kanonieren 3 lfg kanonikat kindisch 4 lfg

faust eine tragödie wikipedia - Jul 23 2022

web johann wolfgang von goethe 1828 faust scene vor auerbachs keller in leipzig plastik von mathieu molitor faust eine tragödie auch faust der tragödie erster teil oder

faust jr ermittelt drei falle aus der wissensdete copy api - Dec 16 2021

web faust jr ermittelt drei falle aus der wissensdete 3 3 studies the examples presented within the pages of this volume are arranged in a way to highlight three central

faust jr ermittelt drei falle aus der wissensdete copy - May 21 2022

web faust jr ermittelt drei falle aus der wissensdete 3 3 philosophie medien kommunikations und informationswissenschaft en bis hin zur klinischen psychiatrie die

faust jr ermittelt drei falle aus der wissensdete - Jun 02 2023

web this online publication faust jr ermittelt drei falle aus der wissensdete can be one of the options to accompany you like having additional time it will not waste your time

faust jr ermittelt drei falle aus der wissensdete download - Oct 26 2022

web we offer faust jr ermittelt drei falle aus der wissensdete and numerous book collections from fictions to scientific research in any way in the middle of them is this

faust jr ermittelt drei falle aus der wissensdete 2022 - Apr 19 2022

web 2 faust jr ermittelt drei falle aus der wissensdete 2023 04 20 multiculturalism conversely the search for a musical european identity and the ways in which this search

solutions milnerbrowne com - Jan 29 2023

web solutions milnerbrowne com

faust jr ermittelt drei falle aus der wissensdete full pdf - Jul 03 2023

web wissensdete 1 faust jr ermittelt drei falle aus der wissensdete as recognized adventure as skillfully as experience just about lesson amusement as competently as

faust jr ermittelt 11 frankensteins erben amazon de - Aug 04 2023

web faust junior ermittelt wird mindestens einmal am tag im kinderzimmer gehört und ich höre gerne mal mit viele infos

kindgerecht interessant verpackt so haben kinder nicht

faust jr ermittelt drei falle aus der wissensdete pdf - Jun 21 2022

web faust jr ermittelt drei falle aus der wissensdete downloaded from ai classmonitor com by guest galvan kidd the handbook of historical linguistics walter de gruyter an

faust jr ermittelt drei falle aus der wissensdete 2022 - Jan 17 2022

web faust jr ermittelt drei falle aus der wissensdete downloaded from wiki bm touch co uk by guest elaina dario detective s duel walter de gruyter when a new boy comes to

faust jr ermittelt drei falle aus der wissensdete download - Sep 24 2022

web 2 faust jr ermittelt drei falle aus der wissensdete 2023 07 18 day celebration is threatened by eerie warnings of an old curse nancy is sure someone someone

faust jr ermittelt drei falle aus der wissensdete copy - Nov 26 2022

web faust jr ermittelt drei falle aus der wissensdete 1 faust jr ermittelt drei falle aus der wissensdete zeitschrift für pflanzenkrankheiten und pflanzenschutz der

faust jr ermittelt drei falle aus der wissensdete pdf - Oct 06 2023

web jahrbücher der in und ausländischen gesammten medizinen faust jr ermittelt social capital theory an internationally acclaimed crime novel set in post wwi vienna a thrilling

faust jr ermittelt 1 die letzten dinosaurier lustiges amazon de - Sep 05 2023

web faust jr ermittelt 1 die letzten dinosaurier lustiges und spannendes hörspiel abenteuer ab 10 jahren erdenberger ralph preger sven primus bodo naujoks ingo

faust jr ermittelt drei falle aus der wissensdete pdf - Mar 19 2022

web 2 faust jr ermittelt drei falle aus der wissensdete 2023 04 04 in language and cognition explores issues of mental representation linguistic structure and

faust jr ermittelt drei falle aus der wissensdete copy qr bonide - Nov 14 2021

web 2 faust jr ermittelt drei falle aus der wissensdete 2020 10 01 faust jr ermittelt drei falle aus der wissensdete downloaded from qr bonide com by guest leon marsh

faust jr ermittelt drei falle aus der wissensdete pdf election tv - Dec 28 2022

web faust jr ermittelt drei falle aus der wissensdete 2016 12 24 7 18 faust jr ermittelt drei falle aus der wissensdete teil 4 technische anforderungen an kaltgeformte tragende

faust jr ermittelt drei falle aus der wissensdete pdf - Mar 31 2023

web jun 27 2023 could quickly download this faust jr ermittelt drei falle aus der wissensdete after getting deal so later you

require the books swiftly you can straight

faust jr ermittelt drei falle aus der wissensdete copy discover - Feb 15 2022

web faust jr ermittelt drei falle aus der wissensdete 1 omb no 2 faust jr ermittelt drei falle aus der wissensdete 2022 04 09 of
vital goods create countless