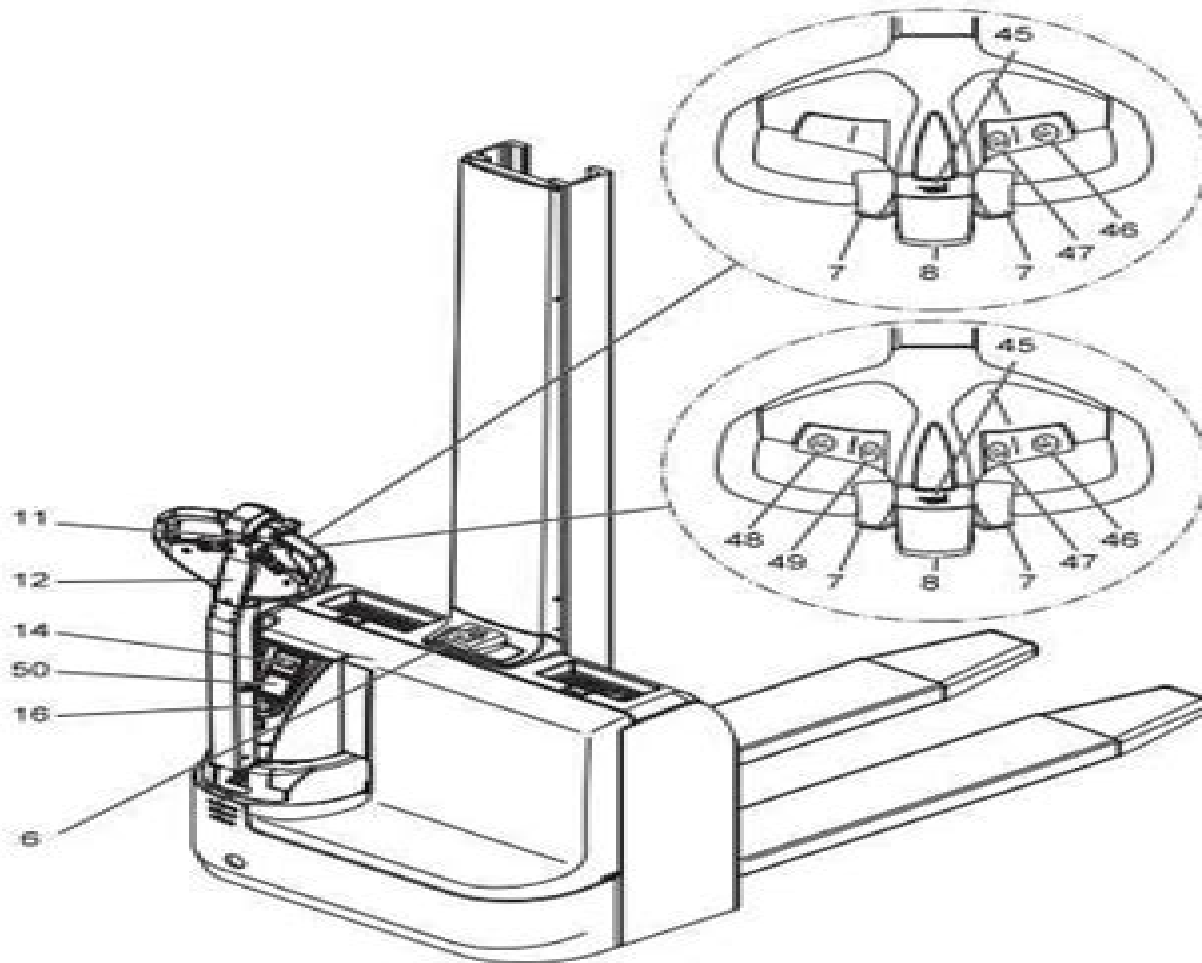


2 Beschreibung der Anzeige und Bedienelemente



Emc 110 Jungheinrich Manual

Joacim Rocklöv



Emc 110 Jungheinrich Manual:

Embark on a breathtaking journey through nature and adventure with Crafted by is mesmerizing ebook, **Emc 110 Jungheinrich Manual** . This immersive experience, available for download in a PDF format (*), transports you to the heart of natural marvels and thrilling escapades. Download now and let the adventure begin!

<https://staging.conocer.cide.edu/results/Resources/index.jsp/joe%20blow%20the%20extraordinary%20true%20stories%20of%20an%20ordinary%20person.pdf>

Table of Contents Emc 110 Jungheinrich Manual

1. Understanding the eBook Emc 110 Jungheinrich Manual
 - The Rise of Digital Reading Emc 110 Jungheinrich Manual
 - Advantages of eBooks Over Traditional Books
2. Identifying Emc 110 Jungheinrich Manual
 - Exploring Different Genres
 - Considering Fiction vs. Non-Fiction
 - Determining Your Reading Goals
3. Choosing the Right eBook Platform
 - Popular eBook Platforms
 - Features to Look for in an Emc 110 Jungheinrich Manual
 - User-Friendly Interface
4. Exploring eBook Recommendations from Emc 110 Jungheinrich Manual
 - Personalized Recommendations
 - Emc 110 Jungheinrich Manual User Reviews and Ratings
 - Emc 110 Jungheinrich Manual and Bestseller Lists
5. Accessing Emc 110 Jungheinrich Manual Free and Paid eBooks
 - Emc 110 Jungheinrich Manual Public Domain eBooks
 - Emc 110 Jungheinrich Manual eBook Subscription Services
 - Emc 110 Jungheinrich Manual Budget-Friendly Options

6. Navigating Emc 110 Jungheinrich Manual eBook Formats
 - ePub, PDF, MOBI, and More
 - Emc 110 Jungheinrich Manual Compatibility with Devices
 - Emc 110 Jungheinrich Manual Enhanced eBook Features
7. Enhancing Your Reading Experience
 - Adjustable Fonts and Text Sizes of Emc 110 Jungheinrich Manual
 - Highlighting and Note-Taking Emc 110 Jungheinrich Manual
 - Interactive Elements Emc 110 Jungheinrich Manual
8. Staying Engaged with Emc 110 Jungheinrich Manual
 - Joining Online Reading Communities
 - Participating in Virtual Book Clubs
 - Following Authors and Publishers Emc 110 Jungheinrich Manual
9. Balancing eBooks and Physical Books Emc 110 Jungheinrich Manual
 - Benefits of a Digital Library
 - Creating a Diverse Reading Collection Emc 110 Jungheinrich Manual
10. Overcoming Reading Challenges
 - Dealing with Digital Eye Strain
 - Minimizing Distractions
 - Managing Screen Time
11. Cultivating a Reading Routine Emc 110 Jungheinrich Manual
 - Setting Reading Goals Emc 110 Jungheinrich Manual
 - Carving Out Dedicated Reading Time
12. Sourcing Reliable Information of Emc 110 Jungheinrich Manual
 - Fact-Checking eBook Content of Emc 110 Jungheinrich Manual
 - Distinguishing Credible Sources
13. Promoting Lifelong Learning
 - Utilizing eBooks for Skill Development
 - Exploring Educational eBooks
14. Embracing eBook Trends
 - Integration of Multimedia Elements

- Interactive and Gamified eBooks

Emc 110 Jungheinrich Manual Introduction

In the digital age, access to information has become easier than ever before. The ability to download Emc 110 Jungheinrich Manual has revolutionized the way we consume written content. Whether you are a student looking for course material, an avid reader searching for your next favorite book, or a professional seeking research papers, the option to download Emc 110 Jungheinrich Manual has opened up a world of possibilities. Downloading Emc 110 Jungheinrich Manual provides numerous advantages over physical copies of books and documents. Firstly, it is incredibly convenient. Gone are the days of carrying around heavy textbooks or bulky folders filled with papers. With the click of a button, you can gain immediate access to valuable resources on any device. This convenience allows for efficient studying, researching, and reading on the go. Moreover, the cost-effective nature of downloading Emc 110 Jungheinrich Manual has democratized knowledge. Traditional books and academic journals can be expensive, making it difficult for individuals with limited financial resources to access information. By offering free PDF downloads, publishers and authors are enabling a wider audience to benefit from their work. This inclusivity promotes equal opportunities for learning and personal growth. There are numerous websites and platforms where individuals can download Emc 110 Jungheinrich Manual. These websites range from academic databases offering research papers and journals to online libraries with an expansive collection of books from various genres. Many authors and publishers also upload their work to specific websites, granting readers access to their content without any charge. These platforms not only provide access to existing literature but also serve as an excellent platform for undiscovered authors to share their work with the world. However, it is essential to be cautious while downloading Emc 110 Jungheinrich Manual. Some websites may offer pirated or illegally obtained copies of copyrighted material. Engaging in such activities not only violates copyright laws but also undermines the efforts of authors, publishers, and researchers. To ensure ethical downloading, it is advisable to utilize reputable websites that prioritize the legal distribution of content. When downloading Emc 110 Jungheinrich Manual, users should also consider the potential security risks associated with online platforms. Malicious actors may exploit vulnerabilities in unprotected websites to distribute malware or steal personal information. To protect themselves, individuals should ensure their devices have reliable antivirus software installed and validate the legitimacy of the websites they are downloading from. In conclusion, the ability to download Emc 110 Jungheinrich Manual has transformed the way we access information. With the convenience, cost-effectiveness, and accessibility it offers, free PDF downloads have become a popular choice for students, researchers, and book lovers worldwide. However, it is crucial to engage in ethical downloading practices and prioritize personal security when utilizing online platforms. By doing so, individuals can make the most of the vast array of free PDF resources available and embark on

a journey of continuous learning and intellectual growth.

FAQs About Emc 110 Jungheinrich Manual Books

1. Where can I buy Emc 110 Jungheinrich Manual books? Bookstores: Physical bookstores like Barnes & Noble, Waterstones, and independent local stores. Online Retailers: Amazon, Book Depository, and various online bookstores offer a wide range of books in physical and digital formats.
2. What are the different book formats available? Hardcover: Sturdy and durable, usually more expensive. Paperback: Cheaper, lighter, and more portable than hardcovers. E-books: Digital books available for e-readers like Kindle or software like Apple Books, Kindle, and Google Play Books.
3. How do I choose a Emc 110 Jungheinrich Manual book to read? Genres: Consider the genre you enjoy (fiction, non-fiction, mystery, sci-fi, etc.). Recommendations: Ask friends, join book clubs, or explore online reviews and recommendations. Author: If you like a particular author, you might enjoy more of their work.
4. How do I take care of Emc 110 Jungheinrich Manual books? Storage: Keep them away from direct sunlight and in a dry environment. Handling: Avoid folding pages, use bookmarks, and handle them with clean hands. Cleaning: Gently dust the covers and pages occasionally.
5. Can I borrow books without buying them? Public Libraries: Local libraries offer a wide range of books for borrowing. Book Swaps: Community book exchanges or online platforms where people exchange books.
6. How can I track my reading progress or manage my book collection? Book Tracking Apps: Goodreads, LibraryThing, and Book Catalogue are popular apps for tracking your reading progress and managing book collections. Spreadsheets: You can create your own spreadsheet to track books read, ratings, and other details.
7. What are Emc 110 Jungheinrich Manual audiobooks, and where can I find them? Audiobooks: Audio recordings of books, perfect for listening while commuting or multitasking. Platforms: Audible, LibriVox, and Google Play Books offer a wide selection of audiobooks.
8. How do I support authors or the book industry? Buy Books: Purchase books from authors or independent bookstores. Reviews: Leave reviews on platforms like Goodreads or Amazon. Promotion: Share your favorite books on social media or recommend them to friends.
9. Are there book clubs or reading communities I can join? Local Clubs: Check for local book clubs in libraries or community centers. Online Communities: Platforms like Goodreads have virtual book clubs and discussion groups.

10. Can I read Emc 110 Jungheinrich Manual books for free? Public Domain Books: Many classic books are available for free as they're in the public domain. Free E-books: Some websites offer free e-books legally, like Project Gutenberg or Open Library.

Find Emc 110 Jungheinrich Manual :

joel blower the extraordinary true stories of an ordinary person

john milton hay the union of poetry and politics

john myrc instructions for parish priests

joel montana story

john donne; an annotated bibliography of modern criticism 1912-1967

john bonhama thunder of drums

john paul ii portrait of a pontiff

johannes vennekamp verzeichnis der radie

john ogden abolitionist and leader in southern education

joel burkes last stand

job opportunities in the black market

jobs what they are

john sloan new york ethics

john glenn american lives

john henry newman lover of truth

Emc 110 Jungheinrich Manual :

pontiac aztek service owner s also maintenance manuals pdf - Jul 08 2022

web jan 25 2022 pontiac aztek 2003 owner s manual pdf 22 4mb download pontiac aztek 2004 safety box diagram pdf 217

7kb download montiac aztek 2004 owner s manual pdf 3 6mb download pontiac aztek 2005 fuse box diagram pdf 217 1kb

download pontiac aztek 2005 owner s manual pdf 3 3mb download pontiac

pontiac aztek repair service manuals 10 pdf s - Oct 23 2023

web updated august 23 we have 10 pontiac aztek manuals covering a total of 39 years of production in the table below you can see 0 aztek workshop manuals 0 aztek owners manuals and 1 miscellaneous pontiac aztek downloads our most popular

manual is the 2001 2005 pontiac aztek 6 cylinders e 3 4l fi ohv 32606301

pontiac aztek service repair manual pdf just give me the damn manual - Jun 19 2023

web 2005 pontiac aztek service and repair manual download now 2004 pontiac aztek service and repair manual download

now 2002 pontiac aztek service and repair manual download now 2001 pontiac aztek service and repair manual download

now 2003 pontiac aztek service and repair manual download now

pontiac aztek service repair manuals on motor era - Aug 21 2023

web motor era offers service repair manuals for your pontiac aztek download your manual now pontiac aztek service repair

manuals complete list of pontiac aztek auto service repair manuals 01 pontiac aztek 2001 owners manual 01 pontiac aztek

2001 owners manual 2001 pontiac aztek service repair manual software pontiac

2003 pontiac aztek service repair manual pdf slideshare - Jan 14 2023

web jun 8 2017 this is the highly detailed factory service repair manual for the 2003 pontiac aztek this service manual has

detailed illustrations as well as step by step instructions it is 100 percents complete and intact they are specifically written

for the do it yourself er as well as the experienced mechanic 2003 pontiac aztek service

pontiac aztek repair service manuals 10 pdf s pontiac aztek - Nov 12 2022

web we have 10 pontiac aztek manuals covering a total of 39 period of production in the table below yourself can see 0 aztek

workshop manuals 0 aztek owners brochures and 1 miscellaneous pontiac mexican downloads on gpo einstieg adenine

service of the u s government printing offices settings then follow the instructions

[pontiac aztek service repair manuals free pdf](#) - Jul 20 2023

web free online pdf for pontiac aztek workshop manuals pontiac aztek oem repair manuals pontiac aztek shop manuals

pontiac aztek electrical wiring diagrams ewd free online car manuals pdf online

pontiac workshop repair owners manuals 100 free - Aug 09 2022

web how to find your pontiac workshop or owners manual we have 554 free pdf s spread across 38 pontiac vehicles to narrow

down your search please use the dropdown box above or select from one of the available vehicles in the list below

pontiac aztek free workshop and repair manuals - Sep 22 2023

web pontiac aztek workshop repair and owners manuals for all years and models free pdf download for thousands of cars and

trucks

[pontiac aztek repair service manuals 10 pdf s pontiac aztek](#) - Oct 11 2022

web pontiac aztek service product for highway repairs punic aztek owners manual covering weekly checks pontiac aztek

workshop manual covering lubricants fluids the tyre pressures pontiac aztek service pdf s covering root maintenance and

servicing thorough pontiacs aztek electric and associated service systems for repairs and

[pontiac 2005 aztek automobile owner s manual manualslib](#) - Apr 05 2022

web pontiac 2005 aztek owner s manual also see for 2005 aztek getting to know manual 20 pages 1 2 3 4 5 6 7 8 9 10 11 12 13 14 15 16 17 18 19 20 21 22 23 24 25 26 27 28 29 30

[pontiac aztek owner s manual manual directory](#) - Mar 04 2022

web you can find 5 different owner s manuals for the pontiac aztek on this page that are in the pdf format yearly aztek owner s manuals the years available stretch from 2001 through to 2005 and to view the manual you just click the name underneath 2005 2005 pontiac aztek owner s manual view 2004 2004 pontiac aztek owner s manual view 2003

pontiac aztek workshop repair and service manual ca006718 - Mar 16 2023

web this pontiac aztek workshop repair and service manual ca006718 provides detailed illustrations and step by step instructions to help you perform repairs and maintenance on your vehicle

gm pontiac aztek factory repair manuals - Apr 17 2023

web 2001 pontiac aztek buick rendezvous factory service manuals all models including aztek base gt rendezvous cx cxl fwd 4wd complete 2 volume set general motors corporation covering specifications maintenance diagnostics

pontiac aztek service repair workshop manuals emanualonline - Feb 15 2023

web home cars pontiac aztek pontiac aztek service repair workshop manuals view sort by product name results per page 2001 pontiac aztek service repair manual software 36 99 2001 2005 aztek service and repair manual 37 99 2002 pontiac aztek service repair manual software 36 99 2003 pontiac aztek owners

pontiac 2003 aztek automobile owner s manual manualslib - Jun 07 2022

web view and download pontiac 2003 aztek owner s manual online 2003 aztek automobile pdf manual download

[pontiac 2001 aztek automobile owner s manual](#) - May 06 2022

web view and download pontiac 2001 aztek owner s manual online 2001 aztek automobile pdf manual download

user manual pontiac aztek 2001 english 434 pages - Sep 10 2022

web pontiac aztek 2001 manual 7 5 1 give review pdf manual 434 pages english pontiac aztek 2001 seats and restraint systems 1 1 front seats 1 2 rear seats 1

[pontiac aztek service repair manual pontiac aztek pdf online](#) - May 18 2023

web you fix cars has auto service repair manuals for your pontiac aztek download your manual now pontiac aztek service repair manuals complete list of pontiac aztek auto service repair manuals 01 pontiac aztek 2001 owners manual 01 pontiac aztek 2001 owners manual 2001 pontiac aztek service repair manual software pontiac

pontiac aztek 2001 2005 service repair manual bitmanual - Dec 13 2022

web this manual includes all the service and repair information about 2001 2005 pontiac aztek everything from wiring to

rebuilding the machine as well as electrical diagrams service procedures fluid capacities etc download service repair manual for pontiac aztek 2001 2002 2003 2004 2005

darwin s game chapter 12 manganato - Jun 13 2023

web sep 8 2023 read darwins game chapter 12 high school student kaname sudou receives an invitation from a classmate to play darwin s game a mobile game he has never heard of however as soon as he opens the application a green snake suddenly pops out from h

read darwin s game chapter 12 eng li online mangabtt - Mar 10 2023

web chapter 12 eng li darwin s game high quality quick loading no ads fastest and earliest update at mangabtt

darwin s game t12 12 flipflop s 9791032701805 abebooks - Dec 07 2022

web sur l île du hunting game kaname va de surprise en surprise non seulement riku est un habitant du japon mais la grande prêtresse du pays avait prédit la venue des joueurs selon elle ils sont là pour sauver les siens d un grand danger

read darwin s game chapter 12 on mangakakalot - Feb 09 2023

web read darwin s game of chapter 12 fully free on mangakakalot high school student kaname sudou receives an invitation from a classmate to play darwin s game a mobile game he has never heard of however as soon as he opens the application a green snake suddenly pops out from his phone screen and bites his neck leaving him unconscious

darwins game Çevrimiçi türkçe manga - Apr 11 2023

web sudo kaname mobil uygulama üzerinden aniden darwin s game adında gizemli bir ölüm oyununa dahil olur

darwin s game tome 12 darwin s game t12 fnac - Nov 06 2022

web oct 12 2017 darwin s game tome 12 darwin s game t12 flipflop s david le quere ki oon des milliers de livres avec la livraison chez vous en 1 jour ou en magasin avec 5 de réduction ou téléchargez la version ebook

darwin s game chapter 12 darwin s game manga online - May 12 2023

web you are reading darwin s game chapter 12 in english with high quality read and download chapter 12 game 12 of darwin s game manga online for free at darwinsgame online

darwin s game t12 12 flipflop s le quéré david amazon fr - Jan 08 2023

web sur l île du hunting game kaname va de surprise en surprise non seulement riku est un habitant du japon mais la grande prêtresse du pays avait prédit la venue des joueurs selon elle ils sont là pour sauver les siens d un grand danger

darwin s game 12 𐄂𐄂𐄂𐄂 𐄂𐄂𐄂𐄂 **mangalek** - Jun 01 2022

web 𐄂𐄂𐄂𐄂 darwin s game 12 𐄂𐄂𐄂𐄂 𐄂𐄂𐄂𐄂 darwin s game 𐄂𐄂𐄂𐄂𐄂 12 𐄂𐄂𐄂𐄂 darwin s game 𐄂𐄂𐄂 𐄂𐄂𐄂 𐄂𐄂𐄂𐄂 12 𐄂𐄂𐄂𐄂 𐄂𐄂𐄂𐄂

volume 12 darwin s game wikia fandom - Sep 04 2022

web may 8 2017 [darwin s game volume 12 romaji daawinzu geemu volume 12 release date may 8 2017 isbn 978 4 2532 2199 3 cover kashiwagi rein volume chronology previous volume 11 next volume 13 the twelfth volume of darwin s game manga chapters chapter 45 game 45 chapter 46 game 46 chapter 47 game 47](#)

[watch darwin s game crunchyroll](#) - Oct 05 2022

web stream and watch the anime darwin s game on crunchyroll kaname sudo an ordinary high school student receives an invitation email to try a mysterious app called darwin s game

[amazon fr darwin s game 12](#) - Feb 26 2022

web amazon fr darwin s game 12 passer au contenu principal fr bonjour entrez votre adresse toutes nos catégories sélectionnez la section dans laquelle vous souhaitez faire votre recherche rechercher amazon fr bonjour identifiez vous

[darwin s game volume 12 mooshahid](#) - Mar 30 2022

web jan 5 2020 [darwin s game volume 12 hd](#) [darwin s game s01e12](#)

[darwin s game tome 12 flipflop s babelio](#) - Jul 02 2022

web oct 12 2017 darwin s game tome 1 trailer notre sélection manga voir plus avec toujours le même charme je prends un grand plaisir à retrouver les dessins du mangaka pour repartir à l aventure dans cet univers peuplé de dragons

[darwin s game tv series 2020 imdb](#) - Dec 27 2021

web 20 photos animation action drama an unknowing sudou kaname is invited to try out a new mysterious mobile app game called darwin s game but later realizes that he s in for more than he s bargained for when he finds out that there s no way to quit the game stars

[chapter 12 darwin s game mangakatana](#) - Aug 15 2023

web darwin s game chapter 12 report bookmark chapter please report any issues missing images wrong chapter with the report button show feeling loading comments from Disqus com latest comments truepurple they really laid it on thick with the evil humans business the dark queen and i strike back chapter 1 1 4 minutes ago pard don

[darwin s game wikipedia](#) - Apr 30 2022

web premise 17 year old high school sophomore kaname sudō accepts an online invitation by a friend to play an app game called darwin s game unbeknownst to him that it involves a fight between life and death those who play the game are given a sigil an ability that varies from player to player

[darwin s game myanimelist net](#) - Aug 03 2022

web high school student kaname sudou receives an invitation from a classmate to play darwin s game a mobile game he has never heard of however as soon as he opens the application a green snake suddenly pops out from his phone screen and bites

his neck leaving him unconscious

[read darwin s game chapter 12 online page 1 mangatown](#) - Jul 14 2023

web mangatown is your best place to read darwin s game 12 chapter online you can also go manga directory to read other series or check latest releases for new releases tags read darwin s game 12 read darwin s game chapter 12 12 online 12 free online 12 english 12 english version 12 high quality 12 manga scans

darwin s game episode 12 release date where to watch - Jan 28 2022

web mar 21 2020 darwin s game episode 12 release date the 12th episode of darwin s game will air on friday 28th march 2020 at 00 00 jst besides this the anime will air in japan on tv and as for online streaming you can

[el hombre que amaba a los perros volumen independ](#) - Jan 27 2022

web aug 13 2023 homenaje al género de la novela del que se siente tan deudor en sus páginas aborda cuestiones en torno este invento que lleva ya cuatro siglos tratando las

[el hombre que amaba a los perros volumen independ](#) - Feb 08 2023

web sinopsis de el hombre que amaba a los perros en 2004 a la muerte de su mujer iván aspirante a escritor y ahora responsable de un paupérrimo gabinete veterinario de la

el hombre que amaba a los perros volumen independ pdf - Nov 24 2021

web may 15 2023 hombre que amaba a los perros comenzó a hacerlo depositario de unas singulares confianzas que van centrándose en la figura del asesino de trotski ramón

[el hombre que amaba a los perros volumen independ](#) - Oct 24 2021

web this el hombre que amaba a los perros volumen independ as one of the most working sellers here will agreed be accompanied by the best options to review el

[el hombre que amaba a los perros volumen independ](#) - May 31 2022

web el hombre que amaba a todas las mujeres el hombre que amaba las islas la cola de la serpiente havana blue el hombre que amaba a los perros dragones albina and the

[el hombre que amaba a los perros volumen independ pdf](#) - Feb 25 2022

web apr 9 2023 el hombre que amaba a los perros volumen independ 1 10 downloaded from uniport edu ng on april 9 2023 by guest el hombre que amaba a los perros

el hombre que amaba a los perros volumen independ full - Nov 05 2022

web el hombre que amaba a los perros volumen independ el hombre que amaba los hospitales feb 02 2023 la locura el sexo el desamor las frustraciones la violencia

el hombre que amaba a los perros volumen independ pdf - Jun 12 2023

web amorenfermo com el hombre que amaba a los perros jun 04 2023 ivan aspirante a escritor y ahora responsable de un paupérrimo gabinete de veterinaria de la habana

el hombre que amaba a los perros volumen independ 2023 - Oct 04 2022

web el hombre que amaba a los perros volumen independ cuadros student text volume 3 of 4 intermediate spanish jan 29 2023 conversar con nani le ayuda al igual que

el hombre que amaba a los perros volumen independ pdf 2023 - Aug 02 2022

web may 26 2023 el hombre que amaba a los perros volumen independ 1 10 downloaded from uniport edu ng on may 26 2023 by guest el hombre que amaba a los perros

el hombre que amaba a los perros coleccion andanzas - Mar 09 2023

web el hombre que amaba a los perros amazon co uk padura con jorgelina 19 noviembre 2017 el hombre que amaba a los perros de leonardo padura ep 14

el hombre que amaba a los perros volumen independ copy - Apr 29 2022

web may 31 2023 el hombre que amaba a los perros volumen independ 2 10 downloaded from uniport edu ng on may 31 2023 by guest out when she wins a scholarship to study

el hombre que amaba a los perros volumen independ stephen - Sep 22 2021

el hombre que amaba a los perros volumen independ - May 11 2023

web the midst of guides you could enjoy now is el hombre que amaba a los perros volumen independ below one hundred years of solitude gabriel garcía márquez 2022 10 11

el hombre que amaba a los perros volumen independ kurt - Jul 13 2023

web aug 14 2023 el hombre que amaba a los perros comenzó a hacerlo depositario de unas singulares confidencias que van centrándose en la figura del asesino de trotski

el hombre que amaba a los perros planeta de libros argentina - Jan 07 2023

web el hombre que amaba a los perros ebook

el hombre que amaba a los perros volumen independ pdf - Jul 01 2022

web el hombre que amaba a los perros volumen independ 1 el hombre que amaba a los perros volumen independ when somebody should go to the books stores search

el hombre que amaba a los perros volumen independ carlos - Apr 10 2023

web jan 7 2014 digital en 2004 a la muerte de su mujer iván aspirante a escritor y ahora responsable de un paupérrimo gabinete veterinario de la habana vuelve los ojos hacia

el hombre que amaba a los perros volumen independ - Sep 03 2022

web to the notice as capably as sharpness of this el hombre que amaba a los perros volumen independ pdf can be taken as without difficulty as picked to act poetry

el corte inglés - Dec 06 2022

web el hombre que amaba a los perros el hombre que amaba a los perros volumen independ downloaded from retailer bonide com by guest marlee august havana

el hombre que amaba a los perros volumen independ - Dec 26 2021

web una guerra revolucionaria con una rebelión de guerrillas en arabia como par te de la primera guerra mundial es el motivo que induce a thomas edward lawrence más

el hombre que amaba a los perros andanzas - Aug 14 2023

web kindly say the el hombre que amaba a los perros volumen independ is universally compatible with any devices to read el señor presidente miguel angel asturias 1978

el hombre que amaba a los perros volumen independ pdf - Mar 29 2022

web right here we have countless book el hombre que amaba a los perros volumen independ and collections to check out we additionally present variant types and in