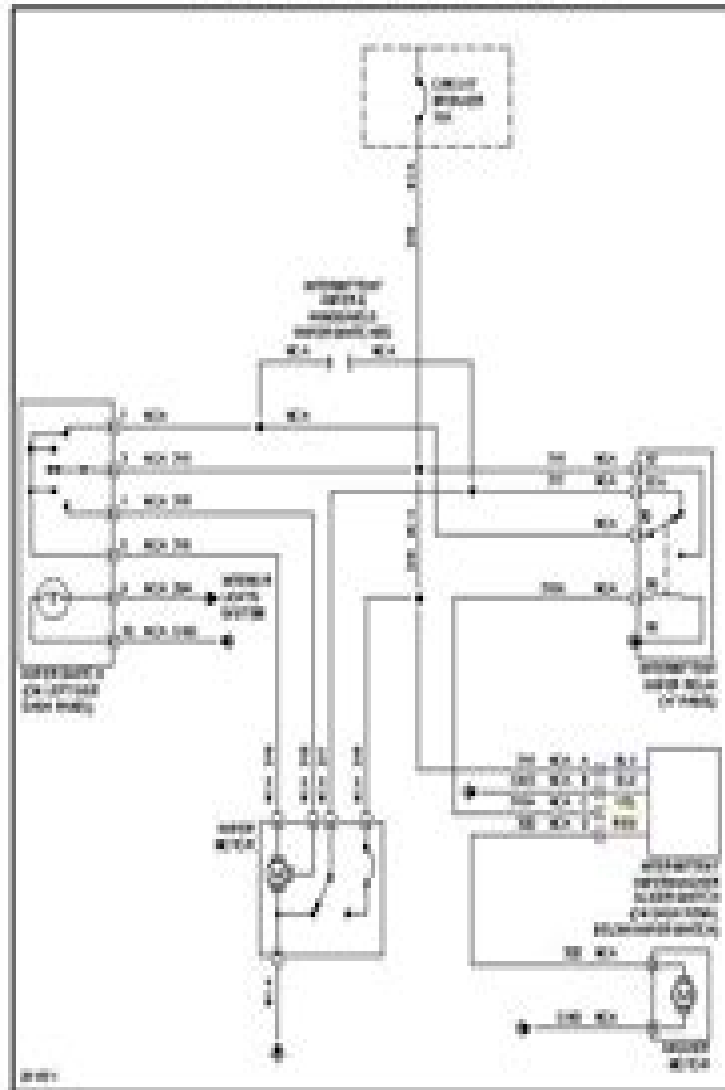


2004 Freightliner Columbia - CL-120

Fig. 38: Intermittent Wiper/Washer Circuit



# Manual Fan Diagram Freightliner Columbia

**David Baud**



## **Manual Fan Diagram Freightliner Columbia:**

**Popular Mechanics** ,1981-11 Popular Mechanics inspires instructs and influences readers to help them master the modern world Whether it s practical DIY home improvement tips gadgets and digital technology information on the newest cars or the latest breakthroughs in science PM is the ultimate guide to our high tech lifestyle **Fan Jet Falcon Wiring Diagram Manual** ,1983 *Fan Application Manual* Air Movement and Control Association,1976 *Fan Application Manual* ,1981 **Fan Application Manual** Air Moving and Conditioning Association,1977 **Fan Application Manual: Troubleshooting** ,1976 **Troubleshooting** Air Moving and Conditioning Association,1975 **Fan Application Manual** AMCA (Arlington Heights),,1987 **Industrial Process/power Generation Fan Manual** Air Movement and Control Association International, Inc, *Industrial Process/power Generation Fan Manual* Air Movement and Control Association,1984

Uncover the mysteries within Crafted by is enigmatic creation, **Manual Fan Diagram Freightliner Columbia** . This downloadable ebook, shrouded in suspense, is available in a PDF format ( PDF Size: \*). Dive into a world of uncertainty and anticipation. Download now to unravel the secrets hidden within the pages.

<https://staging.conocer.cide.edu/data/scholarship/Documents/Heavenly%20Bodies%20The%20Realms%20Of%20La%20Estrela%20De%20Sevilla.pdf>

## **Table of Contents Manual Fan Diagram Freightliner Columbia**

1. Understanding the eBook Manual Fan Diagram Freightliner Columbia
  - The Rise of Digital Reading Manual Fan Diagram Freightliner Columbia
  - Advantages of eBooks Over Traditional Books
2. Identifying Manual Fan Diagram Freightliner Columbia
  - Exploring Different Genres
  - Considering Fiction vs. Non-Fiction
  - Determining Your Reading Goals
3. Choosing the Right eBook Platform
  - Popular eBook Platforms
  - Features to Look for in an Manual Fan Diagram Freightliner Columbia
  - User-Friendly Interface
4. Exploring eBook Recommendations from Manual Fan Diagram Freightliner Columbia
  - Personalized Recommendations
  - Manual Fan Diagram Freightliner Columbia User Reviews and Ratings
  - Manual Fan Diagram Freightliner Columbia and Bestseller Lists
5. Accessing Manual Fan Diagram Freightliner Columbia Free and Paid eBooks
  - Manual Fan Diagram Freightliner Columbia Public Domain eBooks
  - Manual Fan Diagram Freightliner Columbia eBook Subscription Services
  - Manual Fan Diagram Freightliner Columbia Budget-Friendly Options

6. Navigating Manual Fan Diagram Freightliner Columbia eBook Formats
  - ePub, PDF, MOBI, and More
  - Manual Fan Diagram Freightliner Columbia Compatibility with Devices
  - Manual Fan Diagram Freightliner Columbia Enhanced eBook Features
7. Enhancing Your Reading Experience
  - Adjustable Fonts and Text Sizes of Manual Fan Diagram Freightliner Columbia
  - Highlighting and Note-Taking Manual Fan Diagram Freightliner Columbia
  - Interactive Elements Manual Fan Diagram Freightliner Columbia
8. Staying Engaged with Manual Fan Diagram Freightliner Columbia
  - Joining Online Reading Communities
  - Participating in Virtual Book Clubs
  - Following Authors and Publishers Manual Fan Diagram Freightliner Columbia
9. Balancing eBooks and Physical Books Manual Fan Diagram Freightliner Columbia
  - Benefits of a Digital Library
  - Creating a Diverse Reading Collection Manual Fan Diagram Freightliner Columbia
10. Overcoming Reading Challenges
  - Dealing with Digital Eye Strain
  - Minimizing Distractions
  - Managing Screen Time
11. Cultivating a Reading Routine Manual Fan Diagram Freightliner Columbia
  - Setting Reading Goals Manual Fan Diagram Freightliner Columbia
  - Carving Out Dedicated Reading Time
12. Sourcing Reliable Information of Manual Fan Diagram Freightliner Columbia
  - Fact-Checking eBook Content of Manual Fan Diagram Freightliner Columbia
  - Distinguishing Credible Sources
13. Promoting Lifelong Learning
  - Utilizing eBooks for Skill Development
  - Exploring Educational eBooks
14. Embracing eBook Trends
  - Integration of Multimedia Elements

- Interactive and Gamified eBooks

## **Manual Fan Diagram Freightliner Columbia Introduction**

Free PDF Books and Manuals for Download: Unlocking Knowledge at Your Fingertips In today's fast-paced digital age, obtaining valuable knowledge has become easier than ever. Thanks to the internet, a vast array of books and manuals are now available for free download in PDF format. Whether you are a student, professional, or simply an avid reader, this treasure trove of downloadable resources offers a wealth of information, conveniently accessible anytime, anywhere. The advent of online libraries and platforms dedicated to sharing knowledge has revolutionized the way we consume information. No longer confined to physical libraries or bookstores, readers can now access an extensive collection of digital books and manuals with just a few clicks. These resources, available in PDF, Microsoft Word, and PowerPoint formats, cater to a wide range of interests, including literature, technology, science, history, and much more. One notable platform where you can explore and download free Manual Fan Diagram Freightliner Columbia PDF books and manuals is the internet's largest free library. Hosted online, this catalog compiles a vast assortment of documents, making it a veritable goldmine of knowledge. With its easy-to-use website interface and customizable PDF generator, this platform offers a user-friendly experience, allowing individuals to effortlessly navigate and access the information they seek. The availability of free PDF books and manuals on this platform demonstrates its commitment to democratizing education and empowering individuals with the tools needed to succeed in their chosen fields. It allows anyone, regardless of their background or financial limitations, to expand their horizons and gain insights from experts in various disciplines. One of the most significant advantages of downloading PDF books and manuals lies in their portability. Unlike physical copies, digital books can be stored and carried on a single device, such as a tablet or smartphone, saving valuable space and weight. This convenience makes it possible for readers to have their entire library at their fingertips, whether they are commuting, traveling, or simply enjoying a lazy afternoon at home. Additionally, digital files are easily searchable, enabling readers to locate specific information within seconds. With a few keystrokes, users can search for keywords, topics, or phrases, making research and finding relevant information a breeze. This efficiency saves time and effort, streamlining the learning process and allowing individuals to focus on extracting the information they need. Furthermore, the availability of free PDF books and manuals fosters a culture of continuous learning. By removing financial barriers, more people can access educational resources and pursue lifelong learning, contributing to personal growth and professional development. This democratization of knowledge promotes intellectual curiosity and empowers individuals to become lifelong learners, promoting progress and innovation in various fields. It is worth noting that while accessing free Manual Fan Diagram Freightliner Columbia PDF books and manuals is convenient and cost-effective, it is vital to respect copyright laws and intellectual property rights. Platforms offering free

downloads often operate within legal boundaries, ensuring that the materials they provide are either in the public domain or authorized for distribution. By adhering to copyright laws, users can enjoy the benefits of free access to knowledge while supporting the authors and publishers who make these resources available. In conclusion, the availability of Manual Fan Diagram Freightliner Columbia free PDF books and manuals for download has revolutionized the way we access and consume knowledge. With just a few clicks, individuals can explore a vast collection of resources across different disciplines, all free of charge. This accessibility empowers individuals to become lifelong learners, contributing to personal growth, professional development, and the advancement of society as a whole. So why not unlock a world of knowledge today? Start exploring the vast sea of free PDF books and manuals waiting to be discovered right at your fingertips.

### **FAQs About Manual Fan Diagram Freightliner Columbia Books**

How do I know which eBook platform is the best for me? Finding the best eBook platform depends on your reading preferences and device compatibility. Research different platforms, read user reviews, and explore their features before making a choice. Are free eBooks of good quality? Yes, many reputable platforms offer high-quality free eBooks, including classics and public domain works. However, make sure to verify the source to ensure the eBook credibility. Can I read eBooks without an eReader? Absolutely! Most eBook platforms offer webbased readers or mobile apps that allow you to read eBooks on your computer, tablet, or smartphone. How do I avoid digital eye strain while reading eBooks? To prevent digital eye strain, take regular breaks, adjust the font size and background color, and ensure proper lighting while reading eBooks. What the advantage of interactive eBooks? Interactive eBooks incorporate multimedia elements, quizzes, and activities, enhancing the reader engagement and providing a more immersive learning experience. Manual Fan Diagram Freightliner Columbia is one of the best book in our library for free trial. We provide copy of Manual Fan Diagram Freightliner Columbia in digital format, so the resources that you find are reliable. There are also many Ebooks of related with Manual Fan Diagram Freightliner Columbia. Where to download Manual Fan Diagram Freightliner Columbia online for free? Are you looking for Manual Fan Diagram Freightliner Columbia PDF? This is definitely going to save you time and cash in something you should think about. If you trying to find then search around for online. Without a doubt there are numerous these available and many of them have the freedom. However without doubt you receive whatever you purchase. An alternate way to get ideas is always to check another Manual Fan Diagram Freightliner Columbia. This method for see exactly what may be included and adopt these ideas to your book. This site will almost certainly help you save time and effort, money and stress. If you are looking for free books then you really should consider finding to assist you try this. Several of Manual Fan Diagram Freightliner Columbia are for sale to free while some are payable. If you arent sure if the books you would like to download

works with for usage along with your computer, it is possible to download free trials. The free guides make it easy for someone to free access online library for download books to your device. You can get free download on free trial for lots of books categories. Our library is the biggest of these that have literally hundreds of thousands of different products categories represented. You will also see that there are specific sites catered to different product types or categories, brands or niches related with Manual Fan Diagram Freightliner Columbia. So depending on what exactly you are searching, you will be able to choose e books to suit your own need. Need to access completely for Campbell Biology Seventh Edition book? Access Ebook without any digging. And by having access to our ebook online or by storing it on your computer, you have convenient answers with Manual Fan Diagram Freightliner Columbia To get started finding Manual Fan Diagram Freightliner Columbia, you are right to find our website which has a comprehensive collection of books online. Our library is the biggest of these that have literally hundreds of thousands of different products represented. You will also see that there are specific sites catered to different categories or niches related with Manual Fan Diagram Freightliner Columbia So depending on what exactly you are searching, you will be able to choose ebook to suit your own need. Thank you for reading Manual Fan Diagram Freightliner Columbia. Maybe you have knowledge that, people have search numerous times for their favorite readings like this Manual Fan Diagram Freightliner Columbia, but end up in harmful downloads. Rather than reading a good book with a cup of coffee in the afternoon, instead they juggled with some harmful bugs inside their laptop. Manual Fan Diagram Freightliner Columbia is available in our book collection an online access to it is set as public so you can download it instantly. Our digital library spans in multiple locations, allowing you to get the most less latency time to download any of our books like this one. Merely said, Manual Fan Diagram Freightliner Columbia is universally compatible with any devices to read.

### **Find Manual Fan Diagram Freightliner Columbia :**

[heavenly bodies the realms of la estrella de sevilla](#)

**heism versus meism the biblical solution to the problem of selfism**

[hell on wheels](#)

**heating ventilating air conditioni 2nd edition**

[heilige erde heiliger sex](#)

**heaven hell or home**

[hedgehog wars](#)

[help for hurting parents dealing with the pain of teen pregnancy](#)

[helmsman directors cut/special edition](#)



**heidi watermill classic**

**heinrich heine werke band ii**

hello whos there the search for extraterrestrial life

**heidegger and the path of thinking**

hedgehogs as pets

**hedge fund investment management**

### **Manual Fan Diagram Freightliner Columbia :**

New Holland 1720, 20, 2320 Operator`s Manual New Holland 1720, 20, 2320 Operator`s Manual ; Brand: New Holland ; Model: 1720, 20, 2320 Flexi coil 20 Series (1720,2320) Air Cart Operator`s Manual ; Format: PDF Flexicoil Manuals May 18, 2010 — Can you source the flexicoil owners manuals online as like a pdf? ... Hi - is there a CIH model that is identical or close to the FC 2320? I ... CASE IH FLEXI COIL 20 SERIES 1720 2320 AIR ... - eBay Model: Flexi coil 20 Series (1720,2320) Air Car Course & Fine. Type: Operator's Manual. Format: Paperback Manual. Flexi - Coil 20 Series Seed Carts Operator's Manual Flexi - Coil 20 Series Seed Carts Operator's Manual Original Factory To Dealer Manual Dated - 1992 200 + Pages Manual No. GH-001.3 Printed In Canada Covers ... Planting/Seeding Flexi Coil Operator`s Manual.. \$6.00 \$8.00. Add to Cart. Flexicoil 1740 2340 2850 3350 3850 4350 Air Cart Flexicoil 1740 2340 2850 3350 3850 4350 Air Cart Service Workshop Manual 84329222. ... PAPER VERSION SERVICE MANUAL + OPERATOR'S MANUAL (1740 and 2340). Service ... Viewing a thread - wiring diagram for 2320 flexicoil cart Apr 11, 2008 — Looking at the owners manual for a JD 787 (Flexicoil 2320). It has basic wiring diagrams. What do you need. I could scan and email you something ... Aftersales Only genuine Flexi-Coil parts are made for your machine and designed for peak performance. We engineer, manufacture and choose parts based on the strictest ... John Deere 787 & Flexi-Coil 1720/2320 John Deere 787 & Flexi-Coil 1720/2320. Stainless Steel Air Cart Solutions - High ... operation; Red E will suggest aftermarket solutions to fit your budget ... Evaluation Report 735 The Flexi-Coil air cart was evaluated for quality of work, ease of operation and adjustment, ease of installation, power requirements, operator safety and ... Captivated by You by Sylvia Day - Books on ... The fourth novel in the #1 New York Times and #1 USA Today bestselling Crossfire series. Gideon calls me his angel, but he's the miracle in my life. Captivated by You Captivated by You. #4 in series. by Sylvia Day. ebook. 2 of 2 copies available ... The library reading app. Download on the App Store · Get it on Google Play. (PDF) Captivated by You | Karina Picus “I think of nothing but you. All day. Every day. Everything I do, I do with you in mind. There's no room for anyone else. It kills me that you have room for him ... Captivated by You by Sylvia Day - ebook | Crossfire Nov 18, 2014 — The fourth novel in the #1 New York Times and #1 USA Today bestselling Crossfire series. Gideon calls me his angel, but he's the miracle in ... Captivated By You (Crossfire, Book 4) - Kindle edition ... The #1

New York Times and #1 USA Today bestseller. Gideon calls me his angel, but he's the miracle in my life. My gorgeous, wounded warrior, so determined ... Captivated by You Audiobook by Sylvia Day Publisher Description. Gideon calls me his angel, but he's the miracle in my life. My gorgeous, wounded warrior, so determined to slay my demons while ... Captivated by You - Audiobook Download Nov 18, 2014 — Download or stream Captivated by You by Sylvia Day. Get 50% off this audiobook at the AudiobooksNow online audio book store and download or ... Sylvia Day - Jax & Gia series, Crossfire ... 392 KB · Sylvia Day - Reflected in You (Book 2).epub. 400 KB · Sylvia Day - Entwined with You (Book 3).epub. 389 KB · Sylvia Day - Captivated by You (Book 4). Captivated by You - Crossfire Series, Book 4 Nov 18, 2014 — The penultimate novel in the searingly romantic series following Gideon Cross and Eva Tramell, written by Sylvia Day. The Crossfire Saga ... Captivated by you Time Management Proven Techniques for Making Every Minute Count ... This book is available at quantity discounts for bulk purchases. For information the side of ... Secret Survey Book Michael Fiore PDF Free Download Apr 24, 2020 — Feel free to share Michael Fiore's guide with your followers on Pinterest. Why do men lie to women? Why, basically, do people lie to each other? Secret Survey Michael Fiore - Pin on Relationship Advices Secret Survey Michael Fiore - the truth about men click here: <http://bit.ly/14JzC3I> Discover the Real Reason ALL Men Lie to the Women They Love, ... Pros And Cons Of Secret Survey By Michael Fiore Secret Survey Course By Michael Fiore - Our Full Review Hello and welcome to our review about the Secret Survey training program by Michael Fiore. The Secret Survey - Michael Fiore The Secret Survey - Michael Fiore takes you inside the male mind. Uncensored Secret Survey results will shock you about how men think and feel about women. Secret Survey: The Truth About Men. stage and historic ... Secret Survey: The Truth About Men. stage and historic exploration - Secret Survey: The Truth About Men. Secret Survey: The Truth About Men. · Check out the secret truth Secret Survey: The Truth About Men. · Check out the secret truth - Secret Survey: The Truth About Men. The Secret Survey by Michael Fiore Publishing platform for digital magazines, interactive publications and online catalogs. Convert documents to beautiful publications and share them ... Secret Survey: The Truth About Men. The legit version of the ... Michael Fiore Secret Survey Scam Simple concepts, simple ways of applying them, yet profound and life changing meaning. So, is Michael Fiore Secret survey : the ... Secret Survey E-BOOK Michael Fiore PDF Download (Free ... Looking for Secret Survey E-BOOK Michael Fiore PDF Download (Free Doc)? Just check 1 flip PDFs. Like Secret Survey E-BOOK Michael Fiore PDF Download (Free ... Is this the real reason men lie to women they love? ... Is this the real reason men lie to women they love? Discover the truth about men in "The Secret Survey: What men desperately want women to ...