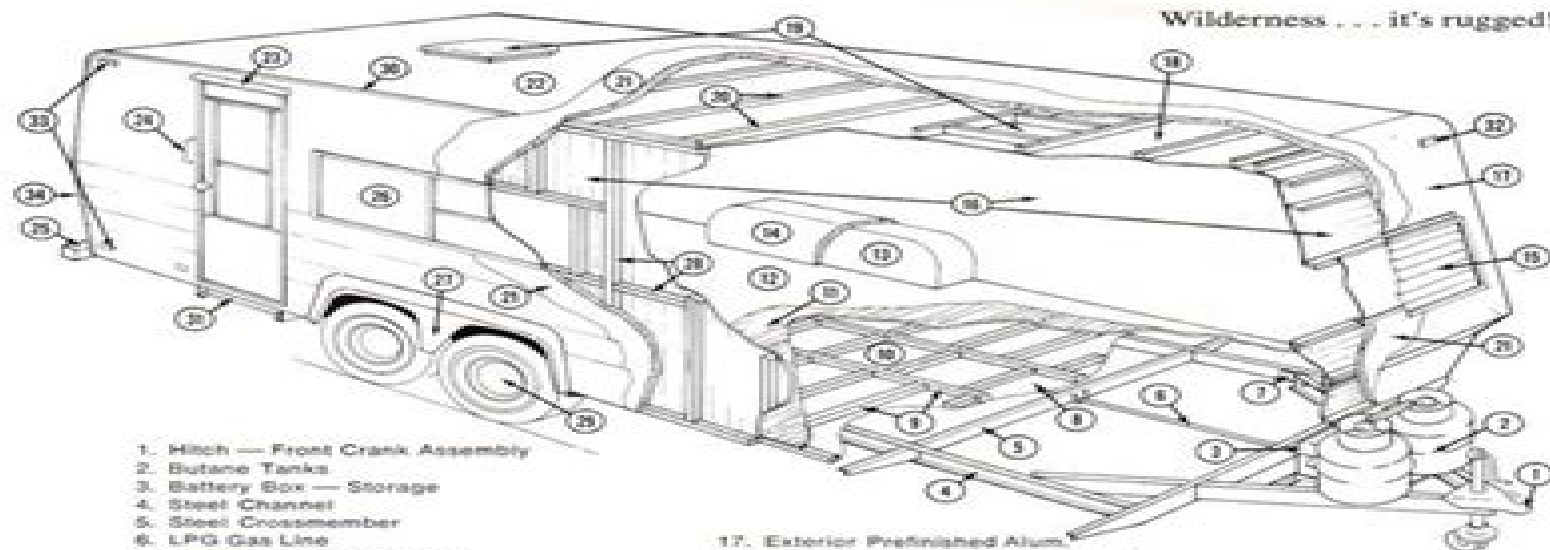


Wilderness . . . it's rugged!



1. Hitch — Front Crank Assembly
2. Butane Tanks
3. Battery Box — Storage
4. Steel Channel
5. Steel Crossmember
6. LPG Gas Line
7. Gusset — Steel Support
8. Alum. Underbelly
9. Floor Framing — Wood
10. Fiberglass Insulation
11. 1/2" Plywood Flooring
12. Floor Covering — Linoleum
13. Wheelwell — 28 Ga. Galvanized Metal
14. Insulation — Alum. Back Fiberglass
15. Rock Guard
16. Prefinished Paneling

17. Exterior Prefinished Alum.
18. Vinyl Covered Ceiling Panel
19. 14" x 14" Roof Vents
20. Ceiling Rafters
21. Fiberglass Insulation
22. Prefab Alum. Roof
23. Alum. Drip Cap
24. Entry Assist Handle
25. Hose Carrier Bumper
26. Windows
27. Wheel Skirts

28. Sidewall Framing
29. Axle Assembly
30. Alum. Awning Rail
31. Sliding Step
32. Clearance Lights
33. Reflectors
34. Alum. "J" Molding

GENERAL SPECIFICATIONS

CHASSIS: Fabricated steel chassis, engineered for proper load carrying capacities with additional support by using steel outriggers welded to chassis. Heavy duty "A" frame for mounting coupler and jack hoist. Welded hose carrier bumper with safety skids. Name brand, first line tires. Electric brakes, all wheels, with break-away safety device. Rugged wide track axle and spring assemblies for better road handling capabilities on models 18' thru 25.5'. Steel bracket supports affixed to chassis for holding tank mounting.

FLOOR: Double floor construction featuring all-aluminum sub-floor, fully insulated with fiberglass. Sealed and insulated wheel wells for dust and adverse weather protection.

SIDEWALL: Double wall construction of selected lumber, insulated with blanket-type fiberglass insulation. Pre-finished vinyl paneling on interior wall.

ROOF: Rafters constructed of selected lumber structurally located to add strength and provide efficient drainage. Prefabricated aluminum roof with ventilator(s), insulated with blanket-type fiberglass insulation. Textured vinyl covered ceiling panels.

EXTERIOR: Prefinished aluminum with colorful accent feature panels. Awning rail and assist handle at entry. Window location designed to give optimum view and ventilation. Large exterior storage area with insulated door. Protective fiberglass rockguard awning. Stylish wheel skirts on all wide-track models.

INTERIOR: Wilderness decorator-designed interiors include: deluxe upholstery fabrics; custom-styled zippered disette cushions of five-inch polyfoam; color-blended draperies; prefinished vinyl

paneling and cabinetry; front overhead bunk (optional Models 22' F and 24.5' G); hollow-core doors and drawers with custom shaped plastic edge moldings, plastic drawers for maintenance ease, distinctively styled cabinet hardware and light fixtures; aluminum shower walk; high-pressure laminate counter, back splash and table tops; two separate lighting systems—110-volt and 12-volt including 12-volt fluorescent light, and conveniently located wall receptacles; built-in spice shelf; vented-range hood; vinyl floor covering; butane/electric refrigerator (standard on all self-contained models); built-in range and oven; stainless steel sinks; roomy wardrobes.

Self Contained System

APPLIANCES: The appliances in all Wilderness self-contained models operate on butane gas. The refrigerator operates either on butane or 110-volt power for "in park" operation. The fast-recovery butane water heater provides hot water for both kitchen and bath. Preparing meals on the butane range and oven is very similar to cooking with home-type appliances. The butane wall heater or forced-air furnace is controlled by either a "wall thermostat" (forced-air) or built-in "Unitrol" (wall heater). The 12-volt fluorescent light operates sufficiently on power supplied from the car or auxiliary battery. (Battery optional)

Other features included in all Wilderness self-contained models are: two 5 gallon butane tanks with regulator; battery rack and plastic case; shower with flexible hose riser; lavatory with built-in pullman; 30-gallon water storage tank; 12-volt pump (demand water system) with built-in winterizing system; marine toilet and 30-gallon holding tank.

Manual For A 1973 Wilderness Camper Trailer

Jianjun Gao



Manual For A 1973 Wilderness Camper Trailer:

Library of Congress Catalogs Library of Congress,1976

Manual of Western Corporations & Securities ,1979

Manual of Western Corporations and Securities ,1974

,1975 *American Book Publishing Record Cumulative, 1950-1977* R.R. Bowker Company. Department of Bibliography,1978

Consumers Index to Product Evaluations and Information Sources Pierian Press,1976

Field & Stream

,1974-01 FIELD STREAM America s largest outdoor sports magazine celebrates the outdoor experience with great stories compelling photography and sound advice while honoring the traditions hunters and fishermen have passed down for generations

The Backcountry Handbook Mother Earth News Editors,1989

Subject Guide to Books in Print ,1984

Walker's

Walker's Manual of Western Corporations ,1978

Walker's

Walker's Manual of Far Western Corporations & Securities

Discover tales of courage and bravery in its empowering ebook, **Manual For A 1973 Wilderness Camper Trailer** . In a downloadable PDF format (Download in PDF: *), this collection inspires and motivates. Download now to witness the indomitable spirit of those who dared to be brave.

https://staging.conocer.cide.edu/About/uploaded-files/Download_PDFS/governing%20interests%20business%20associations%20facing%20internationalization.pdf

Table of Contents Manual For A 1973 Wilderness Camper Trailer

1. Understanding the eBook Manual For A 1973 Wilderness Camper Trailer
 - The Rise of Digital Reading Manual For A 1973 Wilderness Camper Trailer
 - Advantages of eBooks Over Traditional Books
2. Identifying Manual For A 1973 Wilderness Camper Trailer
 - Exploring Different Genres
 - Considering Fiction vs. Non-Fiction
 - Determining Your Reading Goals
3. Choosing the Right eBook Platform
 - Popular eBook Platforms
 - Features to Look for in an Manual For A 1973 Wilderness Camper Trailer
 - User-Friendly Interface
4. Exploring eBook Recommendations from Manual For A 1973 Wilderness Camper Trailer
 - Personalized Recommendations
 - Manual For A 1973 Wilderness Camper Trailer User Reviews and Ratings
 - Manual For A 1973 Wilderness Camper Trailer and Bestseller Lists
5. Accessing Manual For A 1973 Wilderness Camper Trailer Free and Paid eBooks
 - Manual For A 1973 Wilderness Camper Trailer Public Domain eBooks
 - Manual For A 1973 Wilderness Camper Trailer eBook Subscription Services
 - Manual For A 1973 Wilderness Camper Trailer Budget-Friendly Options

6. Navigating Manual For A 1973 Wilderness Camper Trailer eBook Formats
 - ePub, PDF, MOBI, and More
 - Manual For A 1973 Wilderness Camper Trailer Compatibility with Devices
 - Manual For A 1973 Wilderness Camper Trailer Enhanced eBook Features
7. Enhancing Your Reading Experience
 - Adjustable Fonts and Text Sizes of Manual For A 1973 Wilderness Camper Trailer
 - Highlighting and Note-Taking Manual For A 1973 Wilderness Camper Trailer
 - Interactive Elements Manual For A 1973 Wilderness Camper Trailer
8. Staying Engaged with Manual For A 1973 Wilderness Camper Trailer
 - Joining Online Reading Communities
 - Participating in Virtual Book Clubs
 - Following Authors and Publishers Manual For A 1973 Wilderness Camper Trailer
9. Balancing eBooks and Physical Books Manual For A 1973 Wilderness Camper Trailer
 - Benefits of a Digital Library
 - Creating a Diverse Reading Collection Manual For A 1973 Wilderness Camper Trailer
10. Overcoming Reading Challenges
 - Dealing with Digital Eye Strain
 - Minimizing Distractions
 - Managing Screen Time
11. Cultivating a Reading Routine Manual For A 1973 Wilderness Camper Trailer
 - Setting Reading Goals Manual For A 1973 Wilderness Camper Trailer
 - Carving Out Dedicated Reading Time
12. Sourcing Reliable Information of Manual For A 1973 Wilderness Camper Trailer
 - Fact-Checking eBook Content of Manual For A 1973 Wilderness Camper Trailer
 - Distinguishing Credible Sources
13. Promoting Lifelong Learning
 - Utilizing eBooks for Skill Development
 - Exploring Educational eBooks
14. Embracing eBook Trends
 - Integration of Multimedia Elements

- Interactive and Gamified eBooks

Manual For A 1973 Wilderness Camper Trailer Introduction

Manual For A 1973 Wilderness Camper Trailer Offers over 60,000 free eBooks, including many classics that are in the public domain. Open Library: Provides access to over 1 million free eBooks, including classic literature and contemporary works. Manual For A 1973 Wilderness Camper Trailer Offers a vast collection of books, some of which are available for free as PDF downloads, particularly older books in the public domain. Manual For A 1973 Wilderness Camper Trailer : This website hosts a vast collection of scientific articles, books, and textbooks. While it operates in a legal gray area due to copyright issues, its a popular resource for finding various publications. Internet Archive for Manual For A 1973 Wilderness Camper Trailer : Has an extensive collection of digital content, including books, articles, videos, and more. It has a massive library of free downloadable books. Free-eBooks Manual For A 1973 Wilderness Camper Trailer Offers a diverse range of free eBooks across various genres. Manual For A 1973 Wilderness Camper Trailer Focuses mainly on educational books, textbooks, and business books. It offers free PDF downloads for educational purposes. Manual For A 1973 Wilderness Camper Trailer Provides a large selection of free eBooks in different genres, which are available for download in various formats, including PDF. Finding specific Manual For A 1973 Wilderness Camper Trailer, especially related to Manual For A 1973 Wilderness Camper Trailer, might be challenging as theyre often artistic creations rather than practical blueprints. However, you can explore the following steps to search for or create your own Online Searches: Look for websites, forums, or blogs dedicated to Manual For A 1973 Wilderness Camper Trailer, Sometimes enthusiasts share their designs or concepts in PDF format. Books and Magazines Some Manual For A 1973 Wilderness Camper Trailer books or magazines might include. Look for these in online stores or libraries. Remember that while Manual For A 1973 Wilderness Camper Trailer, sharing copyrighted material without permission is not legal. Always ensure youre either creating your own or obtaining them from legitimate sources that allow sharing and downloading. Library Check if your local library offers eBook lending services. Many libraries have digital catalogs where you can borrow Manual For A 1973 Wilderness Camper Trailer eBooks for free, including popular titles. Online Retailers: Websites like Amazon, Google Books, or Apple Books often sell eBooks. Sometimes, authors or publishers offer promotions or free periods for certain books. Authors Website Occasionally, authors provide excerpts or short stories for free on their websites. While this might not be the Manual For A 1973 Wilderness Camper Trailer full book , it can give you a taste of the authors writing style. Subscription Services Platforms like Kindle Unlimited or Scribd offer subscription-based access to a wide range of Manual For A 1973 Wilderness Camper Trailer eBooks, including some popular titles.

FAQs About Manual For A 1973 Wilderness Camper Trailer Books

How do I know which eBook platform is the best for me? Finding the best eBook platform depends on your reading preferences and device compatibility. Research different platforms, read user reviews, and explore their features before making a choice. Are free eBooks of good quality? Yes, many reputable platforms offer high-quality free eBooks, including classics and public domain works. However, make sure to verify the source to ensure the eBook credibility. Can I read eBooks without an eReader? Absolutely! Most eBook platforms offer webbased readers or mobile apps that allow you to read eBooks on your computer, tablet, or smartphone. How do I avoid digital eye strain while reading eBooks? To prevent digital eye strain, take regular breaks, adjust the font size and background color, and ensure proper lighting while reading eBooks. What the advantage of interactive eBooks? Interactive eBooks incorporate multimedia elements, quizzes, and activities, enhancing the reader engagement and providing a more immersive learning experience. Manual For A 1973 Wilderness Camper Trailer is one of the best book in our library for free trial. We provide copy of Manual For A 1973 Wilderness Camper Trailer in digital format, so the resources that you find are reliable. There are also many Ebooks of related with Manual For A 1973 Wilderness Camper Trailer. Where to download Manual For A 1973 Wilderness Camper Trailer online for free? Are you looking for Manual For A 1973 Wilderness Camper Trailer PDF? This is definitely going to save you time and cash in something you should think about. If you trying to find then search around for online. Without a doubt there are numerous these available and many of them have the freedom. However without doubt you receive whatever you purchase. An alternate way to get ideas is always to check another Manual For A 1973 Wilderness Camper Trailer. This method for see exactly what may be included and adopt these ideas to your book. This site will almost certainly help you save time and effort, money and stress. If you are looking for free books then you really should consider finding to assist you try this. Several of Manual For A 1973 Wilderness Camper Trailer are for sale to free while some are payable. If you arent sure if the books you would like to download works with for usage along with your computer, it is possible to download free trials. The free guides make it easy for someone to free access online library for download books to your device. You can get free download on free trial for lots of books categories. Our library is the biggest of these that have literally hundreds of thousands of different products categories represented. You will also see that there are specific sites catered to different product types or categories, brands or niches related with Manual For A 1973 Wilderness Camper Trailer. So depending on what exactly you are searching, you will be able to choose e books to suit your own need. Need to access completely for Campbell Biology Seventh Edition book? Access Ebook without any digging. And by having access to our ebook online or by storing it on your computer, you have convenient answers with Manual For A 1973 Wilderness Camper Trailer To get started finding Manual For A 1973 Wilderness Camper Trailer, you are right to find our website which has a comprehensive collection of books online. Our library is the biggest of these that have literally hundreds of thousands of different products represented. You will also see

that there are specific sites catered to different categories or niches related with Manual For A 1973 Wilderness Camper Trailer So depending on what exactly you are searching, you will be able to choose ebook to suit your own need. Thank you for reading Manual For A 1973 Wilderness Camper Trailer. Maybe you have knowledge that, people have search numerous times for their favorite readings like this Manual For A 1973 Wilderness Camper Trailer, but end up in harmful downloads. Rather than reading a good book with a cup of coffee in the afternoon, instead they juggled with some harmful bugs inside their laptop. Manual For A 1973 Wilderness Camper Trailer is available in our book collection an online access to it is set as public so you can download it instantly. Our digital library spans in multiple locations, allowing you to get the most less latency time to download any of our books like this one. Merely said, Manual For A 1973 Wilderness Camper Trailer is universally compatible with any devices to read.

Find Manual For A 1973 Wilderness Camper Trailer :

governing interests business associations facing internationalization

grammar and practice

grabianskis birds

grand design hollywood as a modern business enterprise 1930-1939

grammar and usage

grammatika v kontekste russian grammar in literary contexts

grampians past its archaeology from the air

graham greene twaynes english authors series

graduate professional education through outreach

grammar of chinese ornament by

grammar toolbox construction manual

governors staff directory september 1995

graham clarkes grand tour

grace for the moment

grammar & good taste reforming the american language

Manual For A 1973 Wilderness Camper Trailer :

10 3 compound and reverse curves global spec - Jan 08 2023

web in setting out this curve the first curve r 1 is set out in the usual way to point t the theodolite is moved to t and backsighted to t 1 with the horizontal circle reading 180 1 2 set the instrument to read zero and it will then be pointing to t 2
[setting out of curve survey ppt slideshare](#) - Jul 02 2022

web dec 30 2014 methods of setting out simple circular curve based on the instruments used in setting out the curves on the ground there are two methods 1 linear method 2 angular method linear method in these methods only tape or chain is used for setting out the curve angle measuring instrument are not used

[compound curve concepts setting out compound curve by](#) - Apr 30 2022

web civil engineering geometric design setting out compound horizontal curves with deflection angle method □□□

as module 3 procedure for setting out of compound curve - Dec 07 2022

web procedure for setting out of compound curve and problem on setting out of compound curve

[pdf setting out of curves and route surveying for](#) - Apr 11 2023

web jan 23 2019 pdf setting out of curves and route surveying for a road pdf the report covers a view and a detailed explanation of the transformation of a proposed road required to be carried out on

[surveying questions and answers setting out compound curve](#) - Jun 13 2023

web this set of surveying multiple choice questions answers mcqs focuses on setting out compound curve 1 the observations made for setting a compound curve must be equal to a $180 \Delta 2$ b $180 \Delta 1 2$ c $180 \Delta 2 2$ d $180 \Delta 2$ view answer 2

[surveying and leveling lesson 16 introduction to setting of curves](#) - Oct 05 2022

web compound curve two or more circular arcs of different radii tangent to each other broken back curve combination of a short length of tangent connecting two circular arcs that have centers on the same side

[module 3 curves lecture notes curves necessity studocu](#) - May 12 2023

web setting out of a curve a circular curve can be set out by i linear or chain and tape method when no angle measuring instruments is used ii instrument methods in which a theodolite tacheometer or a total station instrument is used

setting out compound curve youtube - Mar 30 2022

web mr shashikant buvasaheb gosaviassistant professorcivil engineering departmentwalchand institute of technology solapur

laying out a curve by deflection angle academia edu - Jan 28 2022

web using rankine method the curve is set out by the use of deflection angles turned at the point of curvature from the tangent line to the points along the curve this method uses station measurements while two theodolite method does not

[unit 4 curves curves egyankosh](#) - Aug 03 2022

web understand various methods of setting out curves in the field and problems in setting out these curves and know about the need of super elevation and transition curves be uniform and may consist of different gradients for instance rising

gradient may be followed by falling gradient and vice versa

procedure of setting out compound curve youtube - Mar 10 2023

web subject surveying iivideo name procedure of setting out compound curve chapter horizontal curvefaculty prof swapnil waniupskill and get placements w

curve setting angular and linear methods of settings out curves - Dec 27 2021

web aug 4 2023 curve setting can be achieved by two methods linear method this method involves the determination of linear distances for curve setting angular method this method involves angular measurements which may or may not include linear measurements with india s best teachers coachings get 6 months supercoaching

compound and reversed curves surveying and transportation - Feb 09 2023

web a compound curve consists of two or more circular curves between two main tangents joined at point of compound curve pcc curve at pc is designated as 1 r 1 l 1 t 1 etc and curve at pt is designated as 2 r 2 l 2 t 2 etc

lec 36 setting out simple curve angular method compound curve - Feb 26 2022

web jun 16 2021 in this lecture you will learn about different angular methods of setting out simple curves compound curve elements of compound curve procedure for setti

top 4 linear methods of setting out curves surveying - Jun 01 2022

web the following are the methods of setting out simple circular curves by linear methods and by the use of chain and tape 1 by ordinates from the long chord 2 by successive bisection of arcs 3 by offsets from the tangents 4 by offsets from chords produced method 1 by ordinates from the long chord fig 11 8

surveying i 130601 chapter 4 curves wordpress com - Nov 06 2022

web 1 describethetheprocedureofsettingoutofsimple circular curve by i perpendicular offset from tangent and ii rankine s method of tangential angle dec 2009 2 why transition curves are introduced on horzoni talcurves ofhi ghways or rail ways dec 2009 3 describethemethodofsettingacircularcurve by the method of offsets from the long chord

10 2 setting out curves globalspec - Sep 04 2022

web 10 2 setting out curves this is the process of establishing the centre line of the curve on the ground by means of pegs at 10 m to 30 m intervals in order to do this the tangent and intersection points must first be fixed in the ground in their correct positions consider figure 10 3

module 3 curve surveying curves necessity types simple curves - Aug 15 2023

web curves necessity types simple curves elements designation of curves setting out simple curves by linear methods numerical problems on offsets from long chord chord produced method setting out curves by rankine s deflection angle method numerical problems compound curves elements

compound curves mypdh engineer - Jul 14 2023

web the point where the two curves connect namely the point at which the pt of the first curve equals the pc of the second curve is referred to as the point of compound curvature pcc since their tangent lengths vary compound curves fit the topography much better than simple curves

tylko ja mogę napisać swoją historię oriana fallaci - Aug 15 2023

web tylko ja moge napisac swoja historie fallaci oriana amazon com tr kitap Çerez tercihlerinizi seçin Çerez bildirimimizde ayrıntılı şekilde açıklandığı üzere alışveriş

tylko ja mogę napisać swoją historię fallaci oriana książka w - Jun 13 2023

web oct 25 2017 szanowni państwo od 25 maja 2018 roku obowiązuje rozporządzenie parlamentu europejskiego i rady ue 2016 679 z dnia 27 kwietnia 2016 r w sprawie

tylko ja mogę napisać swoją historię wydawnictwo Świat książki - Dec 07 2022

web zobacz tylko ja mogę napisać swoją historię oriana fallaci w najniższych cenach na allegro pl najwięcej ofert w jednym miejscu radość zakupów i 100 bezpieczeństwa

tylko ja mogę napisać swoją historię oriana fallaci bonito - Feb 09 2023

web jeśli kiedykolwiek ktoś napisze Życie oriany fallaci to tą osobą będę ja i nikt inny w swoim życiu widziałam wiele zła urodziłam się w reżimie dorastałam w czasie wojny i

tylko ja mogę napisać swoją historię oriana fallaci książka w - May 12 2023

web serwis dla miłośników książek opinie recenzje książek i oceny czytelników wirtualna biblioteczka i rekomendacje książek tysiące opinii dobrych książek i nowości

tylko ja mogę napisać swoją historię oriana fallaci - Sep 04 2022

web główna kategorie e booki biografie wspomnienia tylko ja mogę napisać swoją historię e book

tylko ja moge napisac swoja historie uniport edu - Dec 27 2021

web tylko ja moge napisac swoja historie downloaded from old vulkk com by guest nyasia molly wspomnienia znak pierwowzorem głównej bohaterki agaty zwanej agatonem

tylko ja moge napisac swoja historie pdf sql1 viewber co - Apr 30 2022

web aug 1 2023 getting this info acquire the tylko ja moge napisac swoja historie link that we present here and check out the link you could purchase guide tylko ja moge

tylko ja moge napisac swoja historie kelliemay - Feb 26 2022

web jul 18 2023 skillfully as sharpness of this tylko ja moge napisac swoja historie can be taken as without difficulty as picked to act pax sara pennypacker 2016 02 25 a moving

tylko ja moge napisac swoja historie copy uniport edu - Jan 28 2022

web jul 26 2023 prawdziwe historie opetań michał stonawski 2022 06 24 michał stonawski badacz zjawisk paranormalnych który całe życie poświęcił tropieniu prawdy tym razem

tylko ja mogĘ napisaĆ swoją historiĘ 13989195444 - Mar 10 2023

web nov 3 2022 w przypadku książki tylko ja mogę napisać swoją historię rok wydania to 2017 oznacza to że odpowiedź na powyższe pytanie jest taka że książkę wydano w

tylko ja moge napisac swoja historie pdf old vulkk - Nov 25 2021

web tylko ja moge napisac swoja historie downloaded from ftp popcake com by guest uriel brock rodowód literacki masterlab automat z wodą gazowaną z syropem z lub

tylko ja mogę napisać swoją historię e book wydawnictwo - Aug 03 2022

web legimi

tylko ja mogę napisać swoją historię oriana fallaci allegro - Nov 06 2022

web jeśli kiedykolwiek ktoś napisze Życie oriany fallaci to tą osobą będę ja i nikt inny w swoim życiu widziałam wiele zła urodziłam się w reżimie dorastałam w czasie wojny i

tylko ja moge napisac swoja historie kaġit kapak amazon com tr - Jul 14 2023

web książka tylko ja mogę napisać swoją historię autorstwa fallaci oriana dostępna w sklepie empik com w cenie przeczytaj recenzję tylko ja mogę napisać swoją historię

tylko ja moge napisac swoja historie copy ftp popcake - Oct 25 2021

web tylko ja moge napisac swoja historie downloaded from ftp popcake com by guest jovani katelyn umysł a dusza jak nauczyć się sterować sobą harpercollins

tylko ja moge napisac swoja historie 2022 ftp popcake - Sep 23 2021

legimi - Jul 02 2022

web tylko ja moge napisac swoja historie dzieła edited by m podczaszyński zniknięcie pani christie tak chce tak moge jak napisac swoja pierwsza ksiazke i

tylko ja mogę napisać swoją historię cytaty lubimyczytać pl - Apr 11 2023

web tylko ja mogĘ napisaĆ swoją historiĘ książka darmowa dostawa z allegro smart najwięcej ofert w jednym miejscu radość zakupów 100 bezpieczeństwa

tylko ja mogę napisać swoją historię książka papierowa legimi - Oct 05 2022

web nov 20 2021 w tylko ja mogę napisać swoją historię fallaci postanowiła podsumować swoje życie na swój własny

subiektywny sposób w pozycji pojawia się wiele odniesień

tylko ja moge napisac swoja historie app oaklandlibrary - Jun 01 2022

web najnowsza historia polski od ostatnich dni ii wojny światowej w której autor uczestniczył aż po rok 2000 czas podsumowań refleksje i wspomnienia hena często odważnie

tylko ja mogę napisać swoją historię książka woblink - Jan 08 2023

web jeśli kiedykolwiek ktoś napisze Życie oriany fallaci to tą osobą będę ja i nikt inny w swoim życiu widziałam wiele zła urodziłam się w reżimie dorastałam w czasie wojny i

tylko ja moge napisac swoja historie copy uniport edu - Mar 30 2022

web tylko ja moge napisac swoja historie 1 9 downloaded from kelliemay com on november 20 2022 by guest tylko ja moge napisac swoja historie this is likewise one of the

I altra verità di alda merini un diario di medicina narrativa - Apr 14 2022

web l altra verità di alda merini un diario di medicina narrativa ante litteram annarita miglietta 2020 in questo studio si esplorano le declinazioni di quella croce senza giustizia che è stato il manicomio per alda merini attraverso l analisi delle scelte stilistiche che la poetessa ha adottato in l altra verità diario di una diversa

I altra verità diario di una diversa amazon it - Aug 31 2023

web un alternarsi di orrore e solitudine di incapacità di comprendere e di essere compresi in una narrazione che nonostante tutto è un inno alla vita e alla forza del sentire alda merini ripercorre il suo ricovero decennale in manicomio il racconto della vita nella clinica psichiatrica tra elettroshock e autentiche torture libera lo

alda merini wikipedia - Jun 16 2022

web diary of a misfit l altra verità diario di una diversa is considered one of her masterpieces in 1996 she was nominated by the académie française as a candidate for the nobel prize in literature in 2002 she was made dame of the republic

l altra verità diario di una diversa merini alda ebook - Dec 23 2022

web l altra verità diario di una diversa merini alda ebook epub2 con adobe drm ibs home ebook biografie biografie e autobiografie letterati l altra verità diario di una diversa di alda merini autore rizzoli 2013 38 ebook scaricabile subito 5 99 60 punti aggiungi al carrello venditore ibs descrizione dettagli recensioni

download l altra verità diario di una diversa pdf gratis ita issuu - Jan 24 2023

web aug 31 2018 1 39 altra verità diario di una diversa leggi online scarica qui total downloads 1554 formats djvu pdf epub kindle rated 7 10 770 votes 1 7 download l 39 altra verità

I altra verità diario di una diversa alda merini e l esperienza in - Feb 10 2022

web sep 27 2020 1 altra verità diario di una diversa describe la realtà della vita all interno di un manicomio negli anni 70 in

italia prima della legge basaglia che sancì la definitiva chiusura degli ospedali psichiatrici essere internati non era poi cosa così strana

l'altra verità diario di una diversa autobiografia di alda merini - Jul 30 2023

web fu proprio a taranto che alda merini ultimò la stesura di *l'altra verità diario di una diversa* nel quale la poetessa racconta a modo proprio cioè in una prosa lucida ma evocativa di tanto in tanto inframmezzata da versi poetici i suoi terribili anni trascorsi in manicomio merini vi entrò con l'animo ancora innocente ma ne uscì

l'altra verità diario di una diversa wikipedia - Oct 01 2023

web *diario di una diversa* è un'opera composta sotto forma di diario di lettere e di qualche verso che narra l'esperienza vissuta dall'autrice internata in manicomio pur essendo perlopiù scritta in prosa è attraversata da una dimensione profondamente lirica

l'altra verità diario di una diversa by alda merini goodreads - Oct 21 2022

web jan 1 1986 alda merini ripercorre il suo ricovero decennale in manicomio il racconto della vita nella clinica psichiatrica tra elettroshock e autentiche torture libera lo sguardo della poetessa su questo inferno come un'onda che alterna la lucidità all'incanto un diario senza traccia di sentimentalismo o di facili condanne in cui emerge lo

l'altra verità diario di una diversa alda merini libro rizzoli - May 28 2023

web dopo un ventennio di silenzio segnato da una dolorosa malattia e dall'esperienza dell'ospedale psichiatrico è tornata alla scrittura con *l'altra verità diario di una diversa 1986* racconto in prosa dell'esperienza manicomiale

lankenauta l'altra verità diario di una diversa - Jul 18 2022

web questo libro rappresenta *l'altra verità* quella di una donna che si è sempre espressa con coraggio e poesia rivendicando pienamente la libertà di essere diversa edizione esaminata e brevi note

alda merini l'altra verità informační systém - Mar 26 2023

web il diario di una diversa di alda merini non è un documento né una testimonianza sui dieci anni trascorsi dalla scrittrice in manicomio e una ricognizione per epifanie deliri nenie canzoni

recensione di l'altra verità diario di una diversa cmtf - Jun 28 2023

web nov 29 2018 *diario di una diversa* connessioni nuova serie recensione di *l'altra verità diario di una diversa* in numero 4 dicembre 2018 recensioni si parla di alda merini manicomio ospedale paolo pini libro di alda merini rizzoli 1997 letto da francesca mariani

l'altra verità diario di una diversa alda merini libro rizzoli - Aug 19 2022

web dopo un ventennio di silenzio segnato da una dolorosa malattia e dall'esperienza dell'ospedale psichiatrico è tornata alla scrittura con *l'altra verità diario di una diversa 1986* racconto in prosa dell'esperienza manicomiale

l'altra verità alda merini google books - Mar 14 2022

web apr 5 2013 alda merini ripercorre il suo ricovero decennale in manicomio il racconto della vita nella clinica psichiatrica tra elettroshock sguardo della poetessa su questo inferno come un'onda che alterna la lucidità all'incanto un diario senza traccia di sentimentalismo o di facili condanne in cui emerge lo sperdimento ma anche la sicurezza di

l'altra verità diario di una diversa alda merini italia libri - Feb 22 2023

web feb 3 2010 diario di una diversa alda merini el resto ero poeta scrive alda merini nella prima pagina del suo *l'altra verità diario di una diversa* 1986 a evidenziare anzitutto la sua più vera peculiare condizione il suo essere poeta è prima del manicomio è durante ed è dopo

l'altra verità diario di una diversa di alda merini recensione - Nov 21 2022

web tra i tanti libri che mi sono capitati tra le mani *l'altra verità diario di una diversa* di alda merini un libro che vi consiglio di leggere alda merini ripercorre gli anni del suo ricovero nell'ospedale psichiatrico Paolo Pini tra elettroshock e autentiche torture un racconto duro dal quale emerge tutta la forza di questa donna

l'altra verità diario di una diversa by giulia rossi prezi - Sep 19 2022

web jan 17 2020 *l'altra verità diario di una diversa* alda merini vita alda giuseppina angela merini fu una poetessa aforista e scrittrice del novecento nasce il 21 marzo 1931 a Milano alda vive tra un padre colto affettuoso e una madre severa e distante frequenta le scuole professionali

l'altra verità diario di una diversa alda merini racconta il suo - Apr 26 2023

web jul 20 2012 *l'altra verità diario di una diversa* alda merini racconta il suo smarrimento letteratu it *l'altra verità diario di una diversa* alda merini racconta il suo smarrimento 20 07 2012 by nunzia attardi 3 min read tags alda merini assurdo autobiografia dei essere fede file *l'altra verità*

l'altra verità diario di una diversa bur contemporanea merini - May 16 2022

web più che un romanzo si tratta di una raccolta di ricordi poesie lettere d'amore e pensieri di alda merini in merito ai 10 anni di ricovero in manicomio prima che la legge Basaglia li chiudesse un libro che raccoglie la sua sofferenza e anche la sua critica nei confronti di un sistema che non ha mai saputo aiutare davvero chi come lei