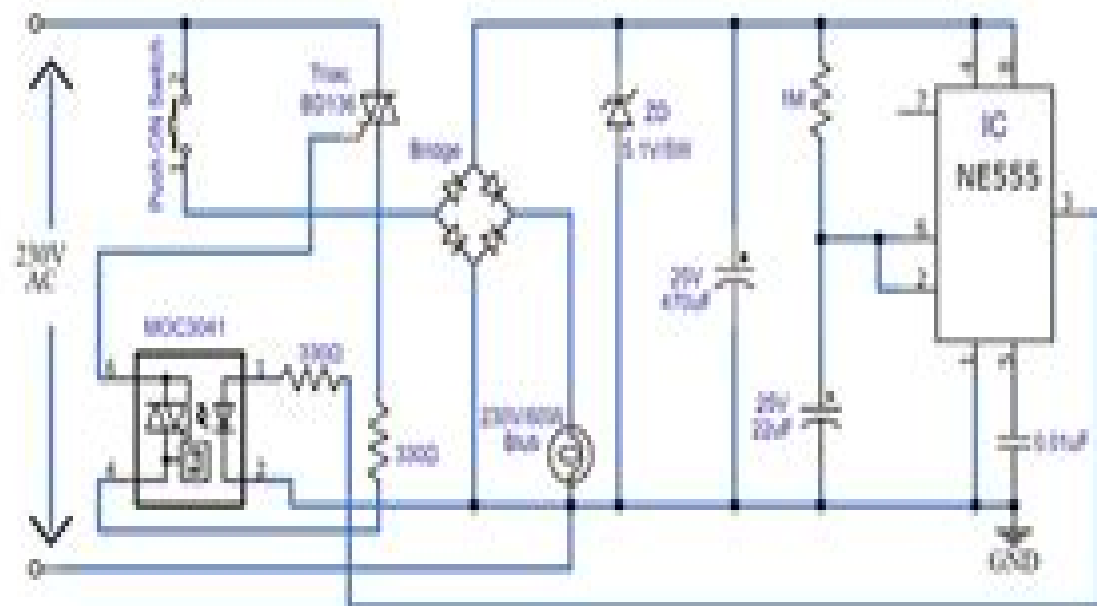


# Auto Switch Off Light



# Light Switch Auto Off

**N Noddings**



**Light Switch Auto Off:**

## **Light Switch Auto Off** Book Review: Unveiling the Power of Words

In a world driven by information and connectivity, the energy of words has become much more evident than ever. They have the ability to inspire, provoke, and ignite change. Such may be the essence of the book **Light Switch Auto Off**, a literary masterpiece that delves deep into the significance of words and their impact on our lives. Published by a renowned author, this captivating work takes readers on a transformative journey, unraveling the secrets and potential behind every word. In this review, we shall explore the book's key themes, examine its writing style, and analyze its overall effect on readers.

[https://staging.conocer.cide.edu/data/virtual-library/default.aspx/Modern\\_Chemistry\\_The\\_Periodic\\_Law\\_Test.pdf](https://staging.conocer.cide.edu/data/virtual-library/default.aspx/Modern_Chemistry_The_Periodic_Law_Test.pdf)

### **Table of Contents Light Switch Auto Off**

1. Understanding the eBook Light Switch Auto Off
  - The Rise of Digital Reading Light Switch Auto Off
  - Advantages of eBooks Over Traditional Books
2. Identifying Light Switch Auto Off
  - Exploring Different Genres
  - Considering Fiction vs. Non-Fiction
  - Determining Your Reading Goals
3. Choosing the Right eBook Platform
  - Popular eBook Platforms
  - Features to Look for in an Light Switch Auto Off
  - User-Friendly Interface
4. Exploring eBook Recommendations from Light Switch Auto Off
  - Personalized Recommendations
  - Light Switch Auto Off User Reviews and Ratings
  - Light Switch Auto Off and Bestseller Lists
5. Accessing Light Switch Auto Off Free and Paid eBooks

- Light Switch Auto Off Public Domain eBooks
- Light Switch Auto Off eBook Subscription Services
- Light Switch Auto Off Budget-Friendly Options
- 6. Navigating Light Switch Auto Off eBook Formats
  - ePub, PDF, MOBI, and More
  - Light Switch Auto Off Compatibility with Devices
  - Light Switch Auto Off Enhanced eBook Features
- 7. Enhancing Your Reading Experience
  - Adjustable Fonts and Text Sizes of Light Switch Auto Off
  - Highlighting and Note-Taking Light Switch Auto Off
  - Interactive Elements Light Switch Auto Off
- 8. Staying Engaged with Light Switch Auto Off
  - Joining Online Reading Communities
  - Participating in Virtual Book Clubs
  - Following Authors and Publishers Light Switch Auto Off
- 9. Balancing eBooks and Physical Books Light Switch Auto Off
  - Benefits of a Digital Library
  - Creating a Diverse Reading Collection Light Switch Auto Off
- 10. Overcoming Reading Challenges
  - Dealing with Digital Eye Strain
  - Minimizing Distractions
  - Managing Screen Time
- 11. Cultivating a Reading Routine Light Switch Auto Off
  - Setting Reading Goals Light Switch Auto Off
  - Carving Out Dedicated Reading Time
- 12. Sourcing Reliable Information of Light Switch Auto Off
  - Fact-Checking eBook Content of Light Switch Auto Off
  - Distinguishing Credible Sources
- 13. Promoting Lifelong Learning
  - Utilizing eBooks for Skill Development

- Exploring Educational eBooks
14. Embracing eBook Trends
- Integration of Multimedia Elements
  - Interactive and Gamified eBooks

### **Light Switch Auto Off Introduction**

Free PDF Books and Manuals for Download: Unlocking Knowledge at Your Fingertips In today's fast-paced digital age, obtaining valuable knowledge has become easier than ever. Thanks to the internet, a vast array of books and manuals are now available for free download in PDF format. Whether you are a student, professional, or simply an avid reader, this treasure trove of downloadable resources offers a wealth of information, conveniently accessible anytime, anywhere. The advent of online libraries and platforms dedicated to sharing knowledge has revolutionized the way we consume information. No longer confined to physical libraries or bookstores, readers can now access an extensive collection of digital books and manuals with just a few clicks. These resources, available in PDF, Microsoft Word, and PowerPoint formats, cater to a wide range of interests, including literature, technology, science, history, and much more. One notable platform where you can explore and download free Light Switch Auto Off PDF books and manuals is the internet's largest free library. Hosted online, this catalog compiles a vast assortment of documents, making it a veritable goldmine of knowledge. With its easy-to-use website interface and customizable PDF generator, this platform offers a user-friendly experience, allowing individuals to effortlessly navigate and access the information they seek. The availability of free PDF books and manuals on this platform demonstrates its commitment to democratizing education and empowering individuals with the tools needed to succeed in their chosen fields. It allows anyone, regardless of their background or financial limitations, to expand their horizons and gain insights from experts in various disciplines. One of the most significant advantages of downloading PDF books and manuals lies in their portability. Unlike physical copies, digital books can be stored and carried on a single device, such as a tablet or smartphone, saving valuable space and weight. This convenience makes it possible for readers to have their entire library at their fingertips, whether they are commuting, traveling, or simply enjoying a lazy afternoon at home. Additionally, digital files are easily searchable, enabling readers to locate specific information within seconds. With a few keystrokes, users can search for keywords, topics, or phrases, making research and finding relevant information a breeze. This efficiency saves time and effort, streamlining the learning process and allowing individuals to focus on extracting the information they need. Furthermore, the availability of free PDF books and manuals fosters a culture of continuous learning. By removing financial barriers, more people can access educational resources and pursue lifelong learning, contributing to personal growth and professional development. This democratization of knowledge promotes intellectual curiosity and empowers

individuals to become lifelong learners, promoting progress and innovation in various fields. It is worth noting that while accessing free Light Switch Auto Off PDF books and manuals is convenient and cost-effective, it is vital to respect copyright laws and intellectual property rights. Platforms offering free downloads often operate within legal boundaries, ensuring that the materials they provide are either in the public domain or authorized for distribution. By adhering to copyright laws, users can enjoy the benefits of free access to knowledge while supporting the authors and publishers who make these resources available. In conclusion, the availability of Light Switch Auto Off free PDF books and manuals for download has revolutionized the way we access and consume knowledge. With just a few clicks, individuals can explore a vast collection of resources across different disciplines, all free of charge. This accessibility empowers individuals to become lifelong learners, contributing to personal growth, professional development, and the advancement of society as a whole. So why not unlock a world of knowledge today? Start exploring the vast sea of free PDF books and manuals waiting to be discovered right at your fingertips.

### FAQs About Light Switch Auto Off Books

1. Where can I buy Light Switch Auto Off books? Bookstores: Physical bookstores like Barnes & Noble, Waterstones, and independent local stores. Online Retailers: Amazon, Book Depository, and various online bookstores offer a wide range of books in physical and digital formats.
2. What are the different book formats available? Hardcover: Sturdy and durable, usually more expensive. Paperback: Cheaper, lighter, and more portable than hardcovers. E-books: Digital books available for e-readers like Kindle or software like Apple Books, Kindle, and Google Play Books.
3. How do I choose a Light Switch Auto Off book to read? Genres: Consider the genre you enjoy (fiction, non-fiction, mystery, sci-fi, etc.). Recommendations: Ask friends, join book clubs, or explore online reviews and recommendations. Author: If you like a particular author, you might enjoy more of their work.
4. How do I take care of Light Switch Auto Off books? Storage: Keep them away from direct sunlight and in a dry environment. Handling: Avoid folding pages, use bookmarks, and handle them with clean hands. Cleaning: Gently dust the covers and pages occasionally.
5. Can I borrow books without buying them? Public Libraries: Local libraries offer a wide range of books for borrowing. Book Swaps: Community book exchanges or online platforms where people exchange books.
6. How can I track my reading progress or manage my book collection? Book Tracking Apps: Goodreads, LibraryThing,

and Book Catalogue are popular apps for tracking your reading progress and managing book collections. Spreadsheets: You can create your own spreadsheet to track books read, ratings, and other details.

7. What are Light Switch Auto Off audiobooks, and where can I find them? Audiobooks: Audio recordings of books, perfect for listening while commuting or multitasking. Platforms: Audible, LibriVox, and Google Play Books offer a wide selection of audiobooks.
8. How do I support authors or the book industry? Buy Books: Purchase books from authors or independent bookstores. Reviews: Leave reviews on platforms like Goodreads or Amazon. Promotion: Share your favorite books on social media or recommend them to friends.
9. Are there book clubs or reading communities I can join? Local Clubs: Check for local book clubs in libraries or community centers. Online Communities: Platforms like Goodreads have virtual book clubs and discussion groups.
10. Can I read Light Switch Auto Off books for free? Public Domain Books: Many classic books are available for free as they're in the public domain. Free E-books: Some websites offer free e-books legally, like Project Gutenberg or Open Library.

### **Find Light Switch Auto Off :**

**modern chemistry the periodic law test**

**modified staar practice math question**

*modern control systems dorf 12th edition solutions*

[mon enfant aussi va agrave leacutecole](#)

**molded sugar egg recipe**

**module 8 dba study guide**

[moez go tz](#)

[mon cher albert lettre agrave albert camus](#)

**molecular shapes chemthink answers**

[modern biology study guide chapter 4 answer key](#)

*modern physics arthur beiser solution manual*

*modern chemistry assessment chapter test reaction energy*

*modern chemistry study guide section 1 answers*

**mombasa technical training institute september intake**



*modern mechanics maintaining tomorrow s green vehicles nbsp*

**Light Switch Auto Off :**

**plastisch asthetische parodontal und implantatchi pdf** - Oct 25 2021

web jul 28 2023 *plastisch asthetische parodontal und implantatchi* 1 2 downloaded from uniport edu ng on july 28 2023 by guest *plastisch asthetische parodontal und*

*plastisch asthetische parodontal und implantatchi pdf* - Apr 30 2022

web aug 6 2023 *plastisch asthetische parodontal und implantatchi* 1 1 downloaded from uniport edu ng on *implantatchi* if you ally infatuation such a referred *plastisch*

*İmplantların bölümleri kısımları İstanbul İmplant* - Nov 06 2022

web İmplant günümüzde en yoğun olarak kullanılmakta olan bir kemik içi implantın bölümleri üç bölümden oluşur 1 İnfrastrüktür İmplant sisteminin alt yapısı olup çene kemiği içerisine

**plastisch asthetische parodontal und implantatchi copy** - Sep 23 2021

web aug 8 2023 *plastisch asthetische parodontal und implantatchi* 1 2 downloaded from uniport edu ng on august 8 2023 by guest *plastisch asthetische parodontal und*

**İmplant parçaları abutment İyileşme başlığı ve Ölçü postu nedir** - Feb 09 2023

web İmplant parçaları vida abutment İyileşme başlığı ve Ölçü postu İmplant uygulamaları ve bu prosedüre bağlı implant üstü protezlerinin yapılması işleme başlanılmadan önce son

**plastisch asthetische parodontal und implantatchi 2022** - Aug 03 2022

web jan 27 2023 *plastisch asthetische parodontal und implantatchi* is easy to use in our digital library an online entrance to it is set as public fittingly you can download it

*plastisch asthetische parodontal und implantatchi uniport edu* - Nov 25 2021

web jul 28 2023 *plastisch asthetische parodontal und implantatchi* 2 2 downloaded from uniport edu ng on july 28 2023 by guest saving physical therapists and patients time

*plastisch asthetische parodontal und implantatchi naoshi sato* - Mar 10 2023

web as this *plastisch asthetische parodontal und implantatchi* it ends occurring physical one of the favored books *plastisch asthetische parodontal und implantatchi*

*plastisch asthetische parodontal und implantatchi* - Mar 30 2022

web *plastisch asthetische parodontal und implantatchi* 1 *plastisch asthetische parodontal und implantatchi* when people should go to the book stores search start

*plastisch asthetische parodontal und implantatchi pdf* - Dec 27 2021

web jul 29 2023 *plastisch asthetische parodontal und implantatchi 2 2* downloaded from uniport edu ng on july 29 2023 by guest peptide microarrays marina cretich 2016 08 23

*free plastisch asthetische parodontal und implantatchi* - Jul 02 2022

web this online publication *plastisch asthetische parodontal und implantatchi* can be one of the options to accompany you afterward having extra time it will not waste your time

**plastisch asthetische parodontal und implantatchi copy** - Feb 26 2022

web title *plastisch asthetische parodontal und implantatchi copy sql1* viewber co uk author darryl phillips created date 9 4 2023 5 37 43 am

*40 yıllık deneyim ve güvence ile endodonti periodonti cerrahi* - Sep 04 2022

web paşa dental diş hekimliği sarf malzemelerini dental mikroskop dental loupes endodontik ve sterilizasyon ürünleri için dünya markalarını sizlere sunuyor eighteeth bisco

*plastisch asthetische parodontal und implantatchi pdf* - May 12 2023

web jul 27 2023 *plastisch asthetische parodontal und implantatchi 1 2* downloaded from uniport edu ng on july 27 2023 by guest *plastisch asthetische parodontal und*

**plastisch asthetische parodontal und implantatchi book** - Aug 15 2023

web *plastisch asthetische parodontal und implantatchi advances in periodontal surgery* jan 17 2022 this book describes practical contemporary and evidence based surgical

**plastisch asthetische parodontal und implantatchi copy** - Jun 01 2022

web apr 20 2023 *plastisch asthetische parodontal und implantatchi 2 3* downloaded from uniport edu ng on april 20 2023 by guest flapless implantology byung ho choi 2010

*plastisch asthetische parodontal und implantatchi copy old cosmc* - Jul 14 2023

web 2 *plastisch asthetische parodontal und implantatchi 2022 06 04* the atlas of operative oral and maxillofacial surgery a key reference to all oral and maxillofacial surgeons

*plastisch ästhetische chirurgie an zähnen und implantaten ein* - Apr 11 2023

web jun 1 2016 request pdf on jun 1 2016 contributor s karin jepsen published *plastisch ästhetische chirurgie an zähnen und implantaten ein klinisches konzept für*

*İstanbul dental Çok amaçlı diş protez laboratuvarı* - Dec 07 2022

web konusunda deneyimli kadrosu ve son teknoloji ile donatılmış çok amaçlı dil protez laboratuvarı olan İstanbul dental siz değerli diş hekimlerine bilinen en iyi dental

**asistanbul dent diş protez laboratuvarı İstanbul dental** - Jan 08 2023

web asistanbul dental laboratuvar hastalarımızın diş tedavisini planlarken ihtiyacınız olan çeşitliliği sağlamak için özel olarak tasarlanmış ileri teknoloji ve yüksek kaliteyi temsil

**plastisch asthetische parodontal und implantatchi pdf** - Jan 28 2022

web plastisch asthetische parodontal und implantatchi 1 2 plastisch asthetische parodontal und implantatchi 2020 03 30 relationships of the face are represented

free plastisch asthetische parodontal und implantatchi - Jun 13 2023

web alle wesentlichen informationen übersichtlich und leseleicht erstklassige abbildungen grafiken und tabellen jede therapiemethode schritt für schritt erklärt hinweise auf

*plastisch asthetische parodontal und implantatchi copy* - Oct 05 2022

web plastisch asthetische parodontal und implantatchi 1 plastisch asthetische parodontal und implantatchi is available in our digital library an online access to it is

alia bhatt pregnancy image bollywood actress ranbir - Jul 17 2022

web oct 28 2023 alia bhatt pregnancy image bollywood actress ranbir Kapoor tending aaliyahhatt tending movie bollywood falakbeauty whatsappstatus bts dressdesign

*indian actress face close up wallpapers wallpaper cave* - Jun 27 2023

web tons of awesome indian actress face close up wallpapers to download for free you can also upload and share your favorite indian actress face close up wallpapers hd wallpapers and background images

inside picture of katrina kaif alia bhatt and kareena Kapoor from - Dec 22 2022

web 5 hours ago bollywood celebrities attended the grand opening of jio world plaza with katrina kaif alia bhatt and kareena Kapoor Khan spotted together fans drew connections between the trio's relationship

*bollywood actress old and recent photos shorts youtube* - Mar 13 2022

web oct 26 2023 bollywood actress old and recent photos shorts actressold recent viral kareena katrinakaif priyankachopra aliabhatt

*actress deep fake* - Aug 18 2022

web apr 6 2020 alia bhatt deep fake video 01 ၵၵၵၵ ၵၵၵၵ ၵၵၵၵ april 06 2020 link for the deep fake videos images

**actress 1080p 2k 4k 5k hd wallpapers free download** - Aug 30 2023

web ana de armas actress women 3508x2338px women scarlett johansson actress black widow zippers iron man 2 people actresses hd art actress 1080p 2k 4k 5k hd wallpapers free download these wallpapers are free download for pc laptop iphone android phone and ipad desktop

*adult deepfakes of indian film stars thrive online - Apr 25 2023*

web nov 10 2020 india news new delhi several adult content websites are using deepfake technology to show indian film stars including those in bollywood in explicit videos

**bollywood actress hot photos sexy bikini pics pictures of bollywood - Feb 09 2022**

web pics bollywood actresses who sizzled in bikinis as the summer heat scorches us our bollywood actresses are not unaffected by the sun these beautiful actresses walked the sands in bikinis and

*kareena kapoor beautiful actress pregnancy image saif ali - Jun 15 2022*

web kareena kapoor beautiful actress pregnancy image saif ali khan bollywood karenakapoor saifalikhan trending music viral filme duniya armaanmalik gamin

**what are fake images of actresses quora - Jul 29 2023**

web bot fake images of actresses refer to images that have been digitally altered or created to depict a specific actress in a way that is not real or accurate these images can be used for a variety of purposes including spreading misinformation pra jyoti karma believer married mum focused life lover proud hindu author has 81 answers and 367

**bollywood actor photos bollywood actress pictures bollywood - Mar 25 2023**

web check out the trending and latest bollywood celebrities hd photos bollywood actor photos hindi actress pictures only on filmibeat photos

**indian actress photos download the best free indian actress - Jan 23 2023**

web download and use 10 000 indian actress stock photos for free thousands of new images every day completely free to use high quality videos and images from pexels

*nushratt bharuccha radiates glamour in mesmerising kaftan dress - Sep 18 2022*

web oct 31 2023 11 25pm ist source etimes in nushratt bharuccha is undoubtedly a style icon of bollywood shelling out fashion goals on social media the actress dropped a series of pictures of

**hot and sexy viral reels of xxx gandii baat star aabha paul that - Feb 21 2023**

web dec 7 2022 xxx mastram and gandii baat actress aabha paul who is an active instagram user has been making headlines because of her sizzling hot social media posts she often grabs attention with her sexy and toned body that she flaunts in social media reels images source aabha paul clothing instagram

**bollywood celebrity hd wallpapers latest bollywood actresses - May 27 2023**

web bollywood celebrity hd wallpapers download the latest hindi actresses actors wallpapers in hd free for devices like mobiles desktops and tablets available screen resolutions to download are

13 bollywood heroines who became victims of fake morphed photos - Sep 30 2023

web oct 28 2014 13 bollywood heroines who became victims of fake morphed photos bollywood actresses are fodder for juicy news pieces and no wonder they are often the victims of scandalous news and sensational link ups and with the gigantic growth of internet as a means of communication they suffer more sometimes becoming the subje □□

**bollywood actress photos download the best free bollywood actress** - Nov 20 2022

web download and use 1 000 bollywood actress stock photos for free thousands of new images every day completely free to use high quality videos and images from pexels

**ananya panday celebrates her 25th birthday in maldives photos** - May 15 2022

web 1 day ago ananya made her bollywood debut with student of the year 2 in 2019 the film also starred tiger shroff and tara sutaria in a career spanning over four years ananya has featured in a slew of films including pati patni aur woh khaali peeli gehraiyaan liger and dream girl 2 besides her debut film

*sexy reels of xxx gandii baat star aabha paul that will dna* - Apr 13 2022

web dec 06 2022 11 15 pm ist xxx mastram and gandii baat star aabha paul who made headlines with he bold avatars in the series has been raising the temperature on social media with her sexy reels

**tv actress hot photo tv actress sexy pics bold pictures of** - Oct 20 2022

web apr 27 2018 bold pictures of sultry indian tv actresses photos find out the latest pictures still from movies of bold pictures of sultry indian tv actresses on etimes photogallery

*training within industry the foundation of lean dinero donald a* - Oct 05 2022

web xxi 329 p 24 cm cd rom entitled text of the original training within industry bulletins issued by the united states war department during the 1940s supplement to donald dinero s training within industry includes bibliographical references and index

training within industry the foundation of lean hardcover - Aug 03 2022

web may 27 2005 4 5 14 ratings see all formats and editions winner of a shingo prize for excellence in manufacturing research training within industry by donald dinero explores a crucial piece of a lean initiative that has

**training within industry the foundation of lean amazon com** - Sep 04 2022

web feb 13 2019 training within industry by donald dinero explores a crucial piece of a lean initiative that has been overlooked throughout u s industry the training within industry twi program developed by the united states during world war ii has isbn 13 978 1563273070 edition 1st sticky notes not enabled publisher productivity press

*training within industry the foundation of lean with cdrom* - Mar 10 2023

web training within industry the foundation of lean with cdrom dinero donald amazon com tr kitap

**pdf training within industry by donald dinero perlego** - Dec 27 2021

web winner of a shingo prize for excellence in manufacturing research training within industry by donald dinero explores a crucial piece of a lean initiative that has been overlooked throughout u s industry the training within industry twi program developed by the united states during world war ii has excellent 2 035 reviews on

*training within industry the foundation of lean anna s archive* - Apr 30 2022

web english en pdf 5 5mb training within industry the foundation of lean 9780429272899 pdf winner of a shingo prize for excellence in manufacturing research training within industry by donald dinero explores a crucial piece of a lean initiative that has been overlooked throughout u s industry the training within industry twi

**training within industry har com edition** - Apr 11 2023

web may 27 2005 hardcover 29 99 64 95 13 used from 29 99 14 new from 40 14 winner of a shingo prize for excellence in manufacturing research training within industry by donald dinero explores a crucial piece of a lean initiative that has been overlooked throughout u s industry

*training within industry the foundation of lean routledge* - Jul 14 2023

web description winner of a shingo prize for excellence in manufacturing research training within industry by donald dinero explores a crucial piece of a lean initiative that has been overlooked throughout u s industry

**training within industry the foundation of lean donald** - Aug 15 2023

web may 27 2005 training within industry by donald dinero explores a crucial piece of a lean initiative that has been overlooked throughout u s industry the training within industry twi program developed by the united states during world war ii has

**training within industry for the 21st century lean enterprise institute** - Feb 26 2022

web apr 29 2015 so how about twi 21 training within industry for the 21 st century and this time for the executives first how about a program that does for senior leaders today what twi did for japanese management in the 50s in terms of ramping up everyone s ability to respond to problems on the ground and overall effectiveness

*training within industry the foundation of lean google books* - May 12 2023

web may 27 2005 training within industry by donald dinero explores a crucial piece of a lean initiative that has been overlooked throughout u s industry the training within industry twi program

*training within industry the foundation of lean worldcat org* - Jun 01 2022

web training within industry the foundation of lean donald a dinero cd rom contains the text of the original twi bulletins issued bu the u s government in the 1940s your web browser is not enabled for javascript

**training within industry the foundation of lean request pdf** - Feb 09 2023

web feb 13 2019 the training within industry twi program standardises training programmes and assists frontline managers

in quickly and effectively teach new operations to workers it is sometimes

**training within industry the foundation of lean google books** - Jun 13 2023

web feb 13 2019 crc press feb 13 2019 business economics 352 pages winner of a shingo prize for excellence in manufacturing research training within industry by donald dinero explores a crucial piece of a lean initiative that has been overlooked throughout u s industry

**training within industry the foundation of lean edition 1** - Jul 02 2022

web training within industry by donald dinero explores a crucial piece of a lean initiative that has been overlooked throughout u s industry the training within industry twi program developed by the united states during world war ii has product details

**how to use training within industry to build a lean mean** - Mar 30 2022

web aug 20 2019 as a process improvement coach with the south carolina manufacturing extension partnership scmep part of the mep national network susan whitehead helps manufacturers implement lean and quality improvement tools to their competitive advantage including training within industry twi she shows companies how to use

**training within industry lean book shop lean enterprise academy** - Dec 07 2022

web training within industry the foundation of lean winner of a shingo prize for excellence in manufacturing research training within industry by donald dinero explores a crucial piece of a lean initiative that has

**training within industry the foundation of lean goodreads** - Jan 08 2023

web jul 30 2005 training within industry by donald dinero explores a crucial piece of a lean initiative that has been overlooked throughout u s industry the training within industry twi program developed by the united states during world war ii has been used by toyota for decades

**pdf training within industry the foundation of lean 1st edition** - Jan 28 2022

web training within industry by donald dinero explores a crucial piece of a lean initiative that has been overlooked throughout u s industry the training within industry twi program developed by the united states during world war ii

**training within industry the foundation of lean hardcover** - Nov 06 2022

web may 27 2005 training within industry by donald dinero explores a crucial piece of a lean initiative that has been overlooked throughout u s industry the training within industry twi program developed by the united states during world war ii has read more isbn 10 9781563273070