

AIR COMPRESSOR

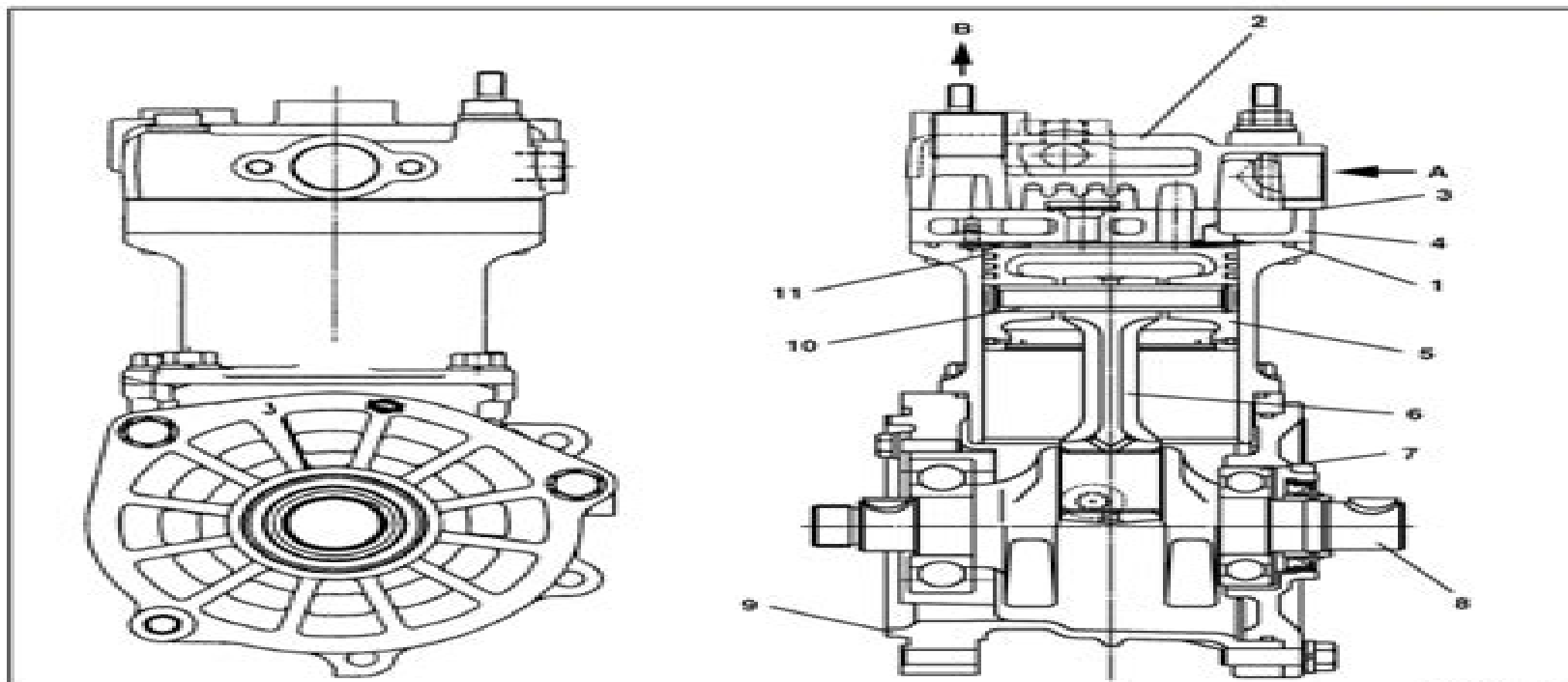
DATA AND SPECIFICATIONS

MO1130101BEG001

Type	Reciprocating, single cylinder
Discharge amount	271 cm ³ (16.5 cu.in.)
Bore x stroke	80 mm x 54 mm (3.15 in. x 2.13 in.)
Lubrication system	Forced feed lubrication
Cooling system	Forced water-circulated

DESCRIPTION

MO1130101BEG1001



MO1130101BEG1001

- 1 O-ring
- 2 Cylinder head assembly
- 3 Gasket
- 4 Valve seat
- 5 Piston
- 6 Connecting rod
- 7 Bearing

- 8 Crankshaft
- 9 Crankcase
- 10 Piston pin
- 11 Piston ring
- A Suction
- B Delivery

Hino Engine Shop Manual

Yijin Wang



Hino Engine Shop Manual:

When somebody should go to the book stores, search instigation by shop, shelf by shelf, it is essentially problematic. This is why we give the books compilations in this website. It will extremely ease you to see guide **Hino Engine Shop Manual** as you such as.

By searching the title, publisher, or authors of guide you really want, you can discover them rapidly. In the house, workplace, or perhaps in your method can be all best place within net connections. If you wish to download and install the Hino Engine Shop Manual, it is categorically simple then, since currently we extend the associate to purchase and create bargains to download and install Hino Engine Shop Manual thus simple!

https://staging.conocer.cide.edu/data/scholarship/Download_PDFS/life%20of%20ferdinand%20magellan%20and%20the%20first%20circumnavigation%20of%20the%20globe.pdf

Table of Contents Hino Engine Shop Manual

1. Understanding the eBook Hino Engine Shop Manual
 - The Rise of Digital Reading Hino Engine Shop Manual
 - Advantages of eBooks Over Traditional Books
2. Identifying Hino Engine Shop Manual
 - Exploring Different Genres
 - Considering Fiction vs. Non-Fiction
 - Determining Your Reading Goals
3. Choosing the Right eBook Platform
 - Popular eBook Platforms
 - Features to Look for in an Hino Engine Shop Manual
 - User-Friendly Interface
4. Exploring eBook Recommendations from Hino Engine Shop Manual
 - Personalized Recommendations
 - Hino Engine Shop Manual User Reviews and Ratings

- Hino Engine Shop Manual and Bestseller Lists
- 5. Accessing Hino Engine Shop Manual Free and Paid eBooks
 - Hino Engine Shop Manual Public Domain eBooks
 - Hino Engine Shop Manual eBook Subscription Services
 - Hino Engine Shop Manual Budget-Friendly Options
- 6. Navigating Hino Engine Shop Manual eBook Formats
 - ePub, PDF, MOBI, and More
 - Hino Engine Shop Manual Compatibility with Devices
 - Hino Engine Shop Manual Enhanced eBook Features
- 7. Enhancing Your Reading Experience
 - Adjustable Fonts and Text Sizes of Hino Engine Shop Manual
 - Highlighting and Note-Taking Hino Engine Shop Manual
 - Interactive Elements Hino Engine Shop Manual
- 8. Staying Engaged with Hino Engine Shop Manual
 - Joining Online Reading Communities
 - Participating in Virtual Book Clubs
 - Following Authors and Publishers Hino Engine Shop Manual
- 9. Balancing eBooks and Physical Books Hino Engine Shop Manual
 - Benefits of a Digital Library
 - Creating a Diverse Reading Collection Hino Engine Shop Manual
- 10. Overcoming Reading Challenges
 - Dealing with Digital Eye Strain
 - Minimizing Distractions
 - Managing Screen Time
- 11. Cultivating a Reading Routine Hino Engine Shop Manual
 - Setting Reading Goals Hino Engine Shop Manual
 - Carving Out Dedicated Reading Time
- 12. Sourcing Reliable Information of Hino Engine Shop Manual
 - Fact-Checking eBook Content of Hino Engine Shop Manual
 - Distinguishing Credible Sources

13. Promoting Lifelong Learning
 - Utilizing eBooks for Skill Development
 - Exploring Educational eBooks
14. Embracing eBook Trends
 - Integration of Multimedia Elements
 - Interactive and Gamified eBooks

Hino Engine Shop Manual Introduction

In this digital age, the convenience of accessing information at our fingertips has become a necessity. Whether its research papers, eBooks, or user manuals, PDF files have become the preferred format for sharing and reading documents. However, the cost associated with purchasing PDF files can sometimes be a barrier for many individuals and organizations. Thankfully, there are numerous websites and platforms that allow users to download free PDF files legally. In this article, we will explore some of the best platforms to download free PDFs. One of the most popular platforms to download free PDF files is Project Gutenberg. This online library offers over 60,000 free eBooks that are in the public domain. From classic literature to historical documents, Project Gutenberg provides a wide range of PDF files that can be downloaded and enjoyed on various devices. The website is user-friendly and allows users to search for specific titles or browse through different categories. Another reliable platform for downloading Hino Engine Shop Manual free PDF files is Open Library. With its vast collection of over 1 million eBooks, Open Library has something for every reader. The website offers a seamless experience by providing options to borrow or download PDF files. Users simply need to create a free account to access this treasure trove of knowledge. Open Library also allows users to contribute by uploading and sharing their own PDF files, making it a collaborative platform for book enthusiasts. For those interested in academic resources, there are websites dedicated to providing free PDFs of research papers and scientific articles. One such website is Academia.edu, which allows researchers and scholars to share their work with a global audience. Users can download PDF files of research papers, theses, and dissertations covering a wide range of subjects. Academia.edu also provides a platform for discussions and networking within the academic community. When it comes to downloading Hino Engine Shop Manual free PDF files of magazines, brochures, and catalogs, Issuu is a popular choice. This digital publishing platform hosts a vast collection of publications from around the world. Users can search for specific titles or explore various categories and genres. Issuu offers a seamless reading experience with its user-friendly interface and allows users to download PDF files for offline reading. Apart from dedicated platforms, search engines also play a crucial role in finding free PDF files. Google, for instance, has an advanced search feature that allows users to filter results by file type. By specifying the file type as "PDF," users can find websites that offer

free PDF downloads on a specific topic. While downloading Hino Engine Shop Manual free PDF files is convenient, it's important to note that copyright laws must be respected. Always ensure that the PDF files you download are legally available for free. Many authors and publishers voluntarily provide free PDF versions of their work, but it's essential to be cautious and verify the authenticity of the source before downloading Hino Engine Shop Manual. In conclusion, the internet offers numerous platforms and websites that allow users to download free PDF files legally. Whether it's classic literature, research papers, or magazines, there is something for everyone. The platforms mentioned in this article, such as Project Gutenberg, Open Library, Academia.edu, and Issuu, provide access to a vast collection of PDF files. However, users should always be cautious and verify the legality of the source before downloading Hino Engine Shop Manual any PDF files. With these platforms, the world of PDF downloads is just a click away.

FAQs About Hino Engine Shop Manual Books

How do I know which eBook platform is the best for me? Finding the best eBook platform depends on your reading preferences and device compatibility. Research different platforms, read user reviews, and explore their features before making a choice. Are free eBooks of good quality? Yes, many reputable platforms offer high-quality free eBooks, including classics and public domain works. However, make sure to verify the source to ensure the eBook's credibility. Can I read eBooks without an eReader? Absolutely! Most eBook platforms offer web-based readers or mobile apps that allow you to read eBooks on your computer, tablet, or smartphone. How do I avoid digital eye strain while reading eBooks? To prevent digital eye strain, take regular breaks, adjust the font size and background color, and ensure proper lighting while reading eBooks. What's the advantage of interactive eBooks? Interactive eBooks incorporate multimedia elements, quizzes, and activities, enhancing the reader engagement and providing a more immersive learning experience. Hino Engine Shop Manual is one of the best books in our library for free trial. We provide a copy of Hino Engine Shop Manual in digital format, so the resources that you find are reliable. There are also many eBooks related to Hino Engine Shop Manual. Where to download Hino Engine Shop Manual online for free? Are you looking for Hino Engine Shop Manual PDF? This is definitely going to save you time and cash in something you should think about. If you're trying to find them, search around online. Without a doubt, there are numerous of these available, and many of them have the freedom. However, without a doubt, you receive whatever you purchase. An alternate way to get ideas is always to check another Hino Engine Shop Manual. This method for seeing exactly what may be included and adopting these ideas to your book. This site will almost certainly help you save time and effort, money, and stress. If you are looking for free books, then you really should consider finding one to assist you in trying this. Several of Hino Engine Shop Manual are for sale for free, while some are payable. If you're not sure if the books you would like to download

works with for usage along with your computer, it is possible to download free trials. The free guides make it easy for someone to free access online library for download books to your device. You can get free download on free trial for lots of books categories. Our library is the biggest of these that have literally hundreds of thousands of different products categories represented. You will also see that there are specific sites catered to different product types or categories, brands or niches related with Hino Engine Shop Manual. So depending on what exactly you are searching, you will be able to choose e books to suit your own need. Need to access completely for Campbell Biology Seventh Edition book? Access Ebook without any digging. And by having access to our ebook online or by storing it on your computer, you have convenient answers with Hino Engine Shop Manual To get started finding Hino Engine Shop Manual, you are right to find our website which has a comprehensive collection of books online. Our library is the biggest of these that have literally hundreds of thousands of different products represented. You will also see that there are specific sites catered to different categories or niches related with Hino Engine Shop Manual So depending on what exactly you are searching, you will be able to choose ebook to suit your own need. Thank you for reading Hino Engine Shop Manual. Maybe you have knowledge that, people have search numerous times for their favorite readings like this Hino Engine Shop Manual, but end up in harmful downloads. Rather than reading a good book with a cup of coffee in the afternoon, instead they juggled with some harmful bugs inside their laptop. Hino Engine Shop Manual is available in our book collection an online access to it is set as public so you can download it instantly. Our digital library spans in multiple locations, allowing you to get the most less latency time to download any of our books like this one. Merely said, Hino Engine Shop Manual is universally compatible with any devices to read.

Find Hino Engine Shop Manual :

life of ferdinand magellan and the first circumnavigation of the globe

~~life in zion an intimate look at the latter day saints 1820-1995~~

~~life without genes~~

~~life under soviet communism~~

~~life under the son counsel from the of ecclesiastes~~

life of tagore rabindranath tagore bio

~~life safety code handbook~~

~~life strategies for catholic teens tough issues straight talk~~

~~lifetime fitness~~

life of alexander the great

life then and now

[life science careers](#)

[life on the mississippi hardcover by twain mark](#)

life in harem

[life in the sea habitats](#)

Hino Engine Shop Manual :

Accidental Love by Gary Soto THE BOOK ACCIDENTAL LOVE IS ABOUT 2 GIRLS MARISA AND ALICIA. ALICIA GOT IN TO AN ACCIDENT WITH HER BOYFRIEND AND SHE IS A LITTLE BIT BAD, MARISA ALWAYS HAVE ... Accidental Love - Soto, Gary: Books A series of misguided actions to take revenge for her friend Alicia, Rene steps in to stop the fight. Marisa and Rene inadvertently grab each other's cellphones ... Accidental Love by Gary Soto This book is about how a girl loved a guy but then she got in a car crash and when she did a picture fell out of her boyfriend with another girl. So then they ... ACCIDENTAL LOVE Marisa is in her first year of high school, a little overweight and always ready to pick a fight. After punching her best friend's cheating boyfriend in an ... Accidental Love An unplanned meeting between Marissa and Rene, a player whose only game is chess, causes sparks to fly. Marissa may start out believing that "Dang, the boy's a ... Accidental Love - Gary Soto Filled with all of the drama and angst that puberty, school, friends and self-image can create, this ultimately is a story of self-worth and realization, love ... Accidental Love - Gary Soto Accidental Love ... It all starts when Marisa picks up the wrong cell phone. When she returns it to Rene, she feels curiously drawn to him. But Marisa and Rene ... Accidental Love book by Gary Soto It all starts when Marisa picks up the wrong cell phone. When she goes to return it, she feels something she's never felt before, something a bit like ... Accidental Love by Gary Soto, Paperback It all starts when Marisa picks up the wrong cell phone. When she returns it to Rene, she feels curiously drawn to him. But Marisa and Rene aren't exactly. Accidental Love by Gary Soto It all starts when Marisa picks up the wrong cell phone. When she returns it to Rene, she feels curiously drawn to him. But Marisa and Rene aren't exactly a ... Telecommunications Distribution Methods Manual, 13th ... The 13th edition TDMM continues to emphasize recommendations for best practices drawn from experts around the world, while providing deep reference information ... Telecommunications Distribution Methods Manual The Telecommunications Distribution Methods Manual (TDMM) is BICSI's flagship manual. Now in its 14th edition, it is the basis for the RCDD® exam and has become ... I have a 13th Edition TDMM Manual, is it enough to pass ... Why Vienna's housing is so affordable compared to Amsterdam? r/Netherlands - Why Vienna's housing is so affordable compared to Amsterdam? Telecommunications Distribution Methods Manual ... TDMM, 13th edition, provides critical design information and practice for today's and tomorrow's networks. The TDMM has incorporated new information to ... BICSI releases 13th edition of TDMM Jan 7, 2014 — BICSI releases 13th edition of TDMM ... Updated manual now includes information on the design of

distributed antenna systems, passive optical ... Telecommunications Distribution Methods Manual (TDMM ... To: TDMM 13th edition manual owners. From: Clarke W. Hammersley, BICSI Director of Publications Please be advised that BICSI has recently published technical ... BICSI: Books Bicsi Information Technology Systems Installation Methods Manual. by BICSI ... Telecommunications Distribution Methods Manual, 13th Edition. by Bicsi Bicsi. BICSI releases 13th ed Telecommunications Distribution ... Jan 7, 2014 — TDMM has been the definitive reference manual for ITS, telecom and information communications technology infrastructure design since 1984, says ... TELECOMMUNICATIONS DISTRIBUTION DESIGN GUIDE Jun 1, 2022 — BICSI TDMM 13th Edition (the subsection numbers below are in the form of 4.x where x corresponds with the chapter number in the BICSI TDMM). TDMM 14th vs 13th edition Home. Shorts. Library. this is hidden. this is probably aria hidden. TDMM 14th vs 13th edition. Ventoux Learning Network. 8 videosLast updated on Jun 19, 2020. Student Solutions Manual for Stewart's... by Stewart, James Contains fully worked-out solutions to all of the odd-numbered exercises in the text, giving students a way to check their answers and ensure that they took ... single variable calculus - msulaiman.org This Student Solutions Manual contains strategies for solving and solutions to selected exercises in the text Single Variable Calculus, Eighth Edition, by James ... Student Solutions Manual for Single Variable Calculus For 3- to 4-semester courses covering single-variable and multivariable calculus, taken by students of mathematics, engineering, natural sciences, or economics. Early Transcendentals - Student Solutions Manual Stewart's Single Variable Calculus: Early Transcendentals - Student Solutions Manual · Course Information · Louisiana State University Official Bookstore. Student Solutions Manual for Stewart's Single... Contains fully worked-out solutions to all of the odd-numbered exercises in the text, giving students a way to check their answers and ensure that they took ... Student Solutions Manual for Stewart's Single Variable ... Contains fully worked-out solutions to all of the odd-numbered exercises in the text, giving students a way to check their answers and ensure that they took ... Student Solutions Manual for Single Variable Calculus ... Custom eBook: Student Solutions Manual for Single Variable Calculus: Early Transcendentals, 1st Edition | ; Starting At \$44.95 ; Overview. CUSTOM NB EBOOK: SSM ... Student solutions manual for Single variable calculus Student solutions manual for Single variable calculus : early transcendentals, eight edition -book. Student Solutions Manual, (Chapters... by: James Stewart This manual includes worked-out solutions to every odd-numbered exercise in Single Variable Calculus: Early Transcendentals, 7e (Chapters 1-11 of Calculus: ... Student Solutions Manual for Single Variable Calculus ... Custom eBook: Student Solutions Manual for Single Variable Calculus: Early Transcendentals | 1st Edition |. STEWART JAMES. Product cover for Custom eBook: ...