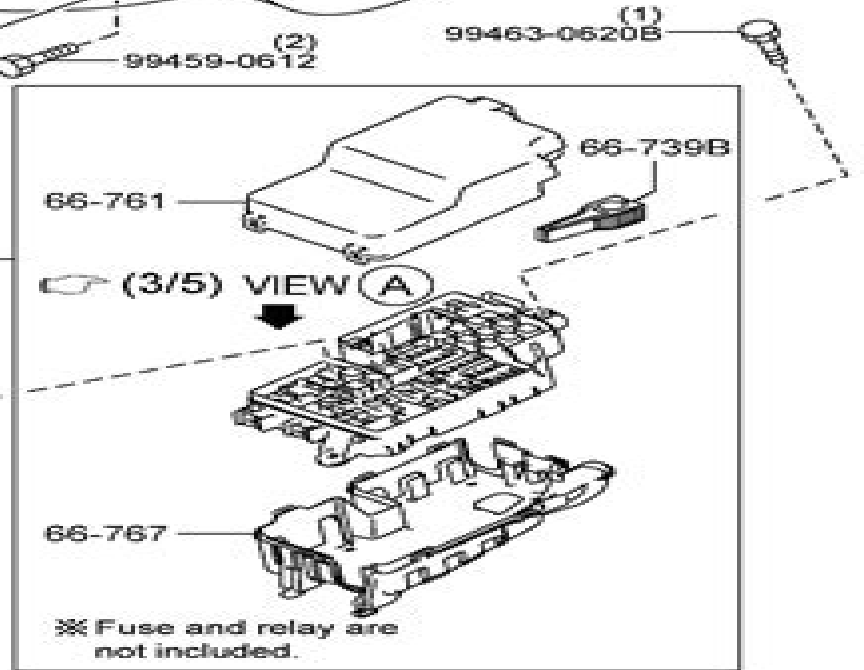
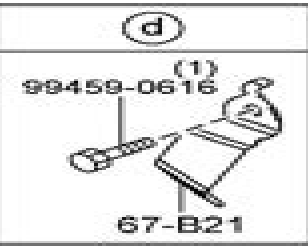
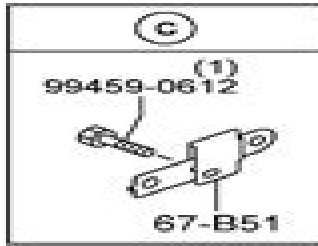
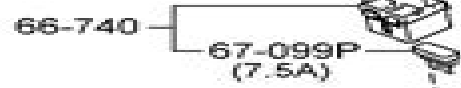


- ((2000)>(6-SPEED))
66-750
- ((2000)>(6-SPEED))
67-013D
- 67-010A
 - a (3/5)
 - b (4/5)

66-760



Mazda A C Diagrams

S Ashworth



Mazda A C Diagrams:

Discover tales of courage and bravery in Crafted by is empowering ebook, Stories of Fearlessness: **Mazda A C Diagrams** . In a downloadable PDF format (PDF Size: *), this collection inspires and motivates. Download now to witness the indomitable spirit of those who dared to be brave.

https://staging.conocer.cide.edu/data/scholarship/HomePages/guide_to_assembly_language_programming_in_linux.pdf

Table of Contents Mazda A C Diagrams

1. Understanding the eBook Mazda A C Diagrams
 - The Rise of Digital Reading Mazda A C Diagrams
 - Advantages of eBooks Over Traditional Books
2. Identifying Mazda A C Diagrams
 - Exploring Different Genres
 - Considering Fiction vs. Non-Fiction
 - Determining Your Reading Goals
3. Choosing the Right eBook Platform
 - Popular eBook Platforms
 - Features to Look for in an Mazda A C Diagrams
 - User-Friendly Interface
4. Exploring eBook Recommendations from Mazda A C Diagrams
 - Personalized Recommendations
 - Mazda A C Diagrams User Reviews and Ratings
 - Mazda A C Diagrams and Bestseller Lists
5. Accessing Mazda A C Diagrams Free and Paid eBooks
 - Mazda A C Diagrams Public Domain eBooks
 - Mazda A C Diagrams eBook Subscription Services
 - Mazda A C Diagrams Budget-Friendly Options
6. Navigating Mazda A C Diagrams eBook Formats

- ePub, PDF, MOBI, and More
 - Mazda A C Diagrams Compatibility with Devices
 - Mazda A C Diagrams Enhanced eBook Features
7. Enhancing Your Reading Experience
 - Adjustable Fonts and Text Sizes of Mazda A C Diagrams
 - Highlighting and Note-Taking Mazda A C Diagrams
 - Interactive Elements Mazda A C Diagrams
 8. Staying Engaged with Mazda A C Diagrams
 - Joining Online Reading Communities
 - Participating in Virtual Book Clubs
 - Following Authors and Publishers Mazda A C Diagrams
 9. Balancing eBooks and Physical Books Mazda A C Diagrams
 - Benefits of a Digital Library
 - Creating a Diverse Reading Collection Mazda A C Diagrams
 10. Overcoming Reading Challenges
 - Dealing with Digital Eye Strain
 - Minimizing Distractions
 - Managing Screen Time
 11. Cultivating a Reading Routine Mazda A C Diagrams
 - Setting Reading Goals Mazda A C Diagrams
 - Carving Out Dedicated Reading Time
 12. Sourcing Reliable Information of Mazda A C Diagrams
 - Fact-Checking eBook Content of Mazda A C Diagrams
 - Distinguishing Credible Sources
 13. Promoting Lifelong Learning
 - Utilizing eBooks for Skill Development
 - Exploring Educational eBooks
 14. Embracing eBook Trends
 - Integration of Multimedia Elements
 - Interactive and Gamified eBooks

Mazda A C Diagrams Introduction

In today's digital age, the availability of Mazda A C Diagrams books and manuals for download has revolutionized the way we access information. Gone are the days of physically flipping through pages and carrying heavy textbooks or manuals. With just a few clicks, we can now access a wealth of knowledge from the comfort of our own homes or on the go. This article will explore the advantages of Mazda A C Diagrams books and manuals for download, along with some popular platforms that offer these resources. One of the significant advantages of Mazda A C Diagrams books and manuals for download is the cost-saving aspect. Traditional books and manuals can be costly, especially if you need to purchase several of them for educational or professional purposes. By accessing Mazda A C Diagrams versions, you eliminate the need to spend money on physical copies. This not only saves you money but also reduces the environmental impact associated with book production and transportation. Furthermore, Mazda A C Diagrams books and manuals for download are incredibly convenient. With just a computer or smartphone and an internet connection, you can access a vast library of resources on any subject imaginable. Whether you're a student looking for textbooks, a professional seeking industry-specific manuals, or someone interested in self-improvement, these digital resources provide an efficient and accessible means of acquiring knowledge. Moreover, PDF books and manuals offer a range of benefits compared to other digital formats. PDF files are designed to retain their formatting regardless of the device used to open them. This ensures that the content appears exactly as intended by the author, with no loss of formatting or missing graphics. Additionally, PDF files can be easily annotated, bookmarked, and searched for specific terms, making them highly practical for studying or referencing. When it comes to accessing Mazda A C Diagrams books and manuals, several platforms offer an extensive collection of resources. One such platform is Project Gutenberg, a nonprofit organization that provides over 60,000 free eBooks. These books are primarily in the public domain, meaning they can be freely distributed and downloaded. Project Gutenberg offers a wide range of classic literature, making it an excellent resource for literature enthusiasts. Another popular platform for Mazda A C Diagrams books and manuals is Open Library. Open Library is an initiative of the Internet Archive, a non-profit organization dedicated to digitizing cultural artifacts and making them accessible to the public. Open Library hosts millions of books, including both public domain works and contemporary titles. It also allows users to borrow digital copies of certain books for a limited period, similar to a library lending system. Additionally, many universities and educational institutions have their own digital libraries that provide free access to PDF books and manuals. These libraries often offer academic texts, research papers, and technical manuals, making them invaluable resources for students and researchers. Some notable examples include MIT OpenCourseWare, which offers free access to course materials from the Massachusetts Institute of Technology, and the Digital Public Library of America, which provides a vast collection of digitized books and historical documents. In conclusion, Mazda A C Diagrams books and manuals for download have transformed the way we access information. They provide a cost-effective and

convenient means of acquiring knowledge, offering the ability to access a vast library of resources at our fingertips. With platforms like Project Gutenberg, Open Library, and various digital libraries offered by educational institutions, we have access to an ever-expanding collection of books and manuals. Whether for educational, professional, or personal purposes, these digital resources serve as valuable tools for continuous learning and self-improvement. So why not take advantage of the vast world of Mazda A C Diagrams books and manuals for download and embark on your journey of knowledge?

FAQs About Mazda A C Diagrams Books

1. Where can I buy Mazda A C Diagrams books? Bookstores: Physical bookstores like Barnes & Noble, Waterstones, and independent local stores. Online Retailers: Amazon, Book Depository, and various online bookstores offer a wide range of books in physical and digital formats.
2. What are the different book formats available? Hardcover: Sturdy and durable, usually more expensive. Paperback: Cheaper, lighter, and more portable than hardcovers. E-books: Digital books available for e-readers like Kindle or software like Apple Books, Kindle, and Google Play Books.
3. How do I choose a Mazda A C Diagrams book to read? Genres: Consider the genre you enjoy (fiction, non-fiction, mystery, sci-fi, etc.). Recommendations: Ask friends, join book clubs, or explore online reviews and recommendations. Author: If you like a particular author, you might enjoy more of their work.
4. How do I take care of Mazda A C Diagrams books? Storage: Keep them away from direct sunlight and in a dry environment. Handling: Avoid folding pages, use bookmarks, and handle them with clean hands. Cleaning: Gently dust the covers and pages occasionally.
5. Can I borrow books without buying them? Public Libraries: Local libraries offer a wide range of books for borrowing. Book Swaps: Community book exchanges or online platforms where people exchange books.
6. How can I track my reading progress or manage my book collection? Book Tracking Apps: Goodreads, LibraryThing, and Book Catalogue are popular apps for tracking your reading progress and managing book collections. Spreadsheets: You can create your own spreadsheet to track books read, ratings, and other details.
7. What are Mazda A C Diagrams audiobooks, and where can I find them? Audiobooks: Audio recordings of books, perfect for listening while commuting or multitasking. Platforms: Audible, LibriVox, and Google Play Books offer a wide selection of audiobooks.
8. How do I support authors or the book industry? Buy Books: Purchase books from authors or independent bookstores.

Reviews: Leave reviews on platforms like Goodreads or Amazon. Promotion: Share your favorite books on social media or recommend them to friends.

9. Are there book clubs or reading communities I can join? Local Clubs: Check for local book clubs in libraries or community centers. Online Communities: Platforms like Goodreads have virtual book clubs and discussion groups.
10. Can I read Mazda A C Diagrams books for free? Public Domain Books: Many classic books are available for free as they're in the public domain. Free E-books: Some websites offer free e-books legally, like Project Gutenberg or Open Library.

Find Mazda A C Diagrams :

[guide to assembly language programming in linux](#)

[guia triste de paris](#)

[guide to business history materials for the study of american business history and suggestion](#)

[guatemala in pictures visual geography series](#)

guia completa de los alimentos saludables

[guardian of the balance](#)

[guide for the christian assembly a background for the mass eastertime](#)

guerra del pacifico dia a dia 19411945 la

[guide to \\$your investments\\$ 1989](#)

[guia basica de los superalimentosbasic guide of the healthy foods](#)

[guide to cheeses of france](#)

[guia exploracion fisica](#)

guidance note 6 protection against overcurrent iee guidance notes iee guidance notes

[guide to quality control industrial engineering technology](#)

[guide to chinese american philanthropy and charitable giving patterns](#)

Mazda A C Diagrams :

rauland responder iii manual download only - Feb 28 2022

web rauland responder system 3000 manual the treatment of epilepsy apr 19 2021 serving as a reference on the epilepsies this fourth edition provides an overview of

[rauland responder iii parts for nurse call system bec store](#) - Sep 06 2022

web multimodal corpora and write up research papers aquest manual és una guia per a la recerca en educació plurilingüe s hi introdueixen conceptes de recerca col laborativa

rauland responder iii manual implantes odontocompany com - Jan 30 2022

rauland responder iii manual - Jul 04 2022

web jan 4 2018 responder 3000 manual download rauland responder 3000 manual download free access for rauland responder 3000 manual download from our

rauland responder system 3000 manual by freemail42 issuu - Jun 03 2022

web ivor t 05 sep apr 8 2017 04 17 rauland responder iii manual epson stylus 600 fw manual yamaha oem outboard manual marine power service manual pradovit p150

rauland responder 4000 signet - Mar 12 2023

web rauland com rauland borg corporation usa 800 752 7725 fax 800 217 0977 canada 905 607 2335 fax 905 607 3554 more ways rauland responder 4000 can

rauland responder system 3000 manual cyberlab sutd edu sg - Dec 29 2021

waveware rauland responder 5000 user - Jun 15 2023

web view new pre owned rauland parts when your rauland responder iii nurse call system parts are in need of a tune up or repair contact bec s healthcare system

responder enterprise rauland - Sep 18 2023

web only rauland trained or authorized personnel should use the r5 apps administrative module the pc console module only provides ancillary emergency annunciation and

[responder 5 administration module user guide swc](#) - Aug 17 2023

web discover rauland responder healthcare it solutions and hospital nurse call systems as a leader in critical communications we offer a wide range of services for healthcare

[rauland responder 4000](#) - Feb 11 2023

web the rauland responder 5000 messaging server rms is designed to perform alert detection alert event processing alert annunciation logging and reporting rms uses

critical communication solutions for healthcare and education - Nov 08 2022

web rauland responder iii parts for nurse call system rauland responder 3 parts we offer new refurbished open boxes and

even repairs on many nurse call systems

[rauland borg responder iii nurse call parts.com](#) - Jan 10 2023

web aug 8 2022 global innovations delivered locally a respected leader in the design and delivery of critical and advanced communications workflow and life safety solutions for

[responder 5 nurse console user guide swc](#) - Oct 19 2023

web for workflow responder enterprise clinical workflow solutions allow information to be shared across multiple systems and departments helping you to reduce errors improve

[rauland responder iii nurse call wireless nurse call nurse](#) - Aug 05 2022

web feb 7 2018 rauland responder system 3000 manual save this book to read rauland responder system 3000 manual pdf ebook at our online library get rauland

[user manual squarespace](#) - Dec 09 2022

web with the largest installed base of high end nurse call systems responder iv has earned the right to be called the best nurse call system on the market responder s flexibility

rauland responder iii manual - Apr 01 2022

web 2 rauland responder iii manual 2021 11 27 maximize quality of life and personal well being in the presence of declining physical and emotional resources that are associated

rauland responder 3000 manual by crymail228 issue - May 02 2022

web topics range from communication skills to manual handling trauma care and cardiac arrest orientation manual for first responders on the evacuation of people with disabilities

responder enterprise keeping everyone connected - Apr 13 2023

web with the responder 4000 real time activity display nursing managers and administrators can access reports on their facility s internal network and create and save reports

[rauland responder iv community manuals and specifications](#) - Oct 07 2022

web rauland responder iii nurse call wireless nurse call nurse call systems patient wander management call the experts wireless nurse call and wired nurse call

responder information find hospital nurse call - Jul 16 2023

web view and download waveware rauland responder 5000 user manual online messaging server rauland responder 5000 server pdf manual download

[rauland responder 3 repair service bec store](#) - May 14 2023

web responder enterprise allows you to cut down on errors and boost performance by offering streamlined communications

across systems and departments learn how you can

temperature and altitude testing keystone compliance - Apr 11 2023

web [rtca do 160g section 4 0 testing summary](#) this section of the standard covers temperature testing and altitude testing or equipment intended to be installed on aircraft the altitude testing includes altitude testing decompression testing and overpressure testing the altitude testing peaks at 70 00 feet

rtca do 160g for airborne equipment do 160 - Oct 05 2022

web click on sections to read the purpose section 4 0 temperature and altitude section 5 0 temperature variation section 6 0 humidity section 7 0 operational shocks and crash safety section 8 0 vibration section 9 0 explosive atmosphere section 10 0 waterproofness section 11 0 fluids susceptibility section 12 0

[rtca do 160e vdocuments net](#) - Apr 30 2022

web [iframe src vdocuments net embed v1 rtca do 160e frameborder 0 marginwidth 0 marginheight 0 scrolling no style border 1px solid ccc margin bottom 5px max width 100 overflow hidden width 599px height 487px allowfullscreen iframe transcript](#)

do 160 wikipedia - Jun 13 2023

web introduction the do 160 document was first published on february 28 1975 to specify test conditions for the design of avionics electronic hardware in airborne systems since then the standard has undergone subsequent revisions up through revision g

[cs etso amendment 16 easa](#) - Jan 08 2023

web testing section 4 0 of eurocae ed 14 rtca do 160 in which the temperature of the environment of the cca inside an item of equipment may be much higher or lower than the equipment level condition as expressed in section 4 0 of eurocae ed 14 rtca do 160 the applicant can qualify their

rtca do 160 testing services element - Jul 02 2022

web sections 4 and 5 of rtca do 160 combine an aircraft s cruising altitude with the test unit s onboard position to create equipment categories that set requirements for temperature altitude and rates of change for testing more section 5

[rtca do 160 everything you need to know trenton systems](#) - Jun 01 2022

web jun 24 2020 [blogs by trenton systems rtca do 160 everything you need to know by brett daniel](#) on jun 24 2020 4 56 15 pm graphic do you need a do 160 certified rugged server or workstation for your aerospace application are you interested in learning more about the standard worry not we ll cover everything you need to know in this

about us do 160 - Jan 28 2022

web about us celab is a testing laboratory operating since 1997 in aerospace and aeronautics and specialized on

environmental qualifications and mechanical simulations celab is the only italian company and one of the few european that actively participate in the drafting of the rtca do 160 it is a member of the special committee sc 135 for

[user guide supplement to do 160g](#) - Mar 30 2022

web rtca inc 1150 18th street nw suite 910 washington d c 20036 user guide supplement to do 160g rtca do 357 prepared by sc 135 december 16 2014 2014

do 160 rtca - Sep 04 2022

web environmental conditions and test procedures for airborne equipment the original do 160 standard was published in 1975 to provide standard test methods which would ensure new aviation equipment would function appropriately in the multiple environmental and emi conditions found on aircraft

[rtca do 160 all revisions all sections dnb engineering](#) - Nov 06 2022

web environmental simulations the rtca do 160 standard environmental conditions and test procedures for airborne equipment maintained by the radio technical commission for aeronautics rtca specifies a series of minimum standard environmental test conditions and applicable test procedures for airborne equipment

rtca do 160 section 5 0 temperature variation testing - Aug 03 2022

web rtca do 160g section 5 0 temperature variation testing category b this category is for equipment in a non temperature controlled or partially temperature controlled internal section of the aircraft the temperature variation testing is a

[rtca do 160 section 5 temperature variation testing atec](#) - Feb 26 2022

web rtca do 160 section 5 temperature variation testing rtca do 160 section 5 determines performance characteristics of the equipment during temperature variations between high and low operating temperature extremes note the test is not intended to verify the behavior of the equipment in wet or icing conditions

section 22 lightning induced transient susceptibility do 160 - Dec 27 2021

web category designation for equipment shall consist of six characters pin test waveform set letter a or b as designated in table 22 1 1 or z or x pin test level 1 to 5 as designated in table 22 2 or z or x cable bundle single and multiple stroke test waveform set letter c through k as designated in table 22 1 2 or z or x

ac 21 16g rtca document do 160 versions d e and f - Jul 14 2023

web jun 22 2011 the faa strongly encourages the use of rtca do 160g for new articles b appendix 1 of this ac provides a summary of the changes from rtca do 160c to rtca do 160d version d to e version e to f and f to g the information in the table will assist you in determining if a particular version of rtca do 160 is acceptable content

section 5 0 temperature variation do 160 - Dec 07 2022

web temperature variation rtca do 160 section 5 0 temperature variation this test determines performance characteristics of

the equipment during temperature variations between high and low operating temperature extremes note the test is not intended to verify the behavior of the equipment in wet or icing conditions

advisory u s department circular federal aviation administration - Feb 09 2023

web the tests in rtca do 160 provide a laboratory means of demonstrating the performance characteristics of airborne equipment in environmental conditions that may be encountered in operation of the equipment in aircraft it is not the intent of rtca do 160 to be used as a measure of service life of the airborne equipment subjected to these tests

rtca do 160e section 4 another requirement for a reliable temperature - May 12 2023

web apr 9 2020 while iec6008 2 provides guidance for environmental tests of electronic and electro mechanical equipment rtca do 160e section 4 provides standard temperature test conditions and applicable test procedures for airborne equipment environmental test chamber temperature test chamber

section 4 0 temperature and altitude do 160 - Aug 15 2023

web rtca do 160 section 4 0 temperature and altitude the temperature and altitude tests determine the performance characteristics of equipment at the applicable categories for the temperatures and altitudes specified in table 4 1 and at the pressures defined in table 4 2 the following categories cover the wide range of environments known

europaean aviation safety agency easa - Mar 10 2023

web b eurocae ed14e rtca do 160e section 5 temperature variation combine this test with eurocae ed14e rtca do 160e section 4 testing requirements c eurocae ed14e rtca do 160e section 6 humidity d eurocae ed14e rtca do 160e section 7 operational shocks and crash safety after this test the equipment

noc letter for employee format letters easy - May 02 2022

web noc letter for employee format noc no objection letter is a necessary document required to get a visa from a company school or college which permits you to leave the country and return within the specified time period it is called a no objection certificate noc also see noc letter for employee 3 no objection letter from the head 4

no objection letter format meaning types examples and - Jun 03 2022

web jun 24 2022 types of no objection letters the type of no objection letter depends on the status of the person asking for it there are two types no objection letter for employees no objection letter for students no objection letter otherwise known as a non objection certificate noc for an employee is written by the employer in which the employee works

sample no objection certificate noc format for another job - Aug 05 2022

web sample no objection certificate noc format for another job by rajesh no objection certificate is a kind of relieving letter it is required when the new employer wants to know that there is no objection from the previous employer to hire a particular employee

sample no objection certificate noc templates example - Jun 15 2023

web complete address of your company date address of the embassy consulate subject letter noc for employee name dearsir madam here by letter is to confirm that mr mrs name of employee is an employee with our company since date of joining on a full time basis he is currently

to whomsoever it may concern coveringmiles com - Feb 28 2022

web date to whomsoever it may concern this is to certify that emp no is employed with us from till date he she is currently designated as this is to confirm that he she has been granted leave from to and will be visiting singapore on his her personal capacity

use 100 customizable no objection letter sample superworks - Dec 09 2022

web may 31 2023 what is a no objection letter purpose of a no objection letter importance of a no objection letter 1 clarity consent 2 legal official documentation 3 smooth communication 4 compliance formalities 5 building trust professionalism 6 international cross border transactions different types of no

no objection certificate format for private company 2023 - Jul 04 2022

web feb 24 2023 format for no objection letters to employees noc for visa how can i get a noc certificate for my business faq no objection certificate format for private company 1 how do you write a noc letter in word format 2 do private companies give noc 3 should noc be notarized conclusion recommended articles why is

no objection letter from current employer for visit visa - Mar 12 2023

web feb 6 2022 a no objection letter also known as no objection certificate or noc is a formal letter written by a manager supervisor director of the company where you are working now

noc letter format for employeedocumentshub com - Sep 06 2022

web jun 2 2014 noc letter format for employee or no objection certificate format for employees if any employee want to join job some where else or for double shift working job change part time job for attending workshop and for various reasons noc sample letter shows your previous job experience and behavior as well

request letter to company for noc no objection certificate - Jan 10 2023

web dec 21 2020 date date from name of the employee address subject request for noc i name working in your company company mention for the last months years duration as a designation

29 noc letter free samples templates branding heights - Apr 01 2022

web signature no objection certificate letter template 1 hi first name i hope you are doing well i am writing to see if you might be in need of a noc letter for those who don t know a noc letter is an official document which confirms that the bearer has permission from the rightful owner to access and use the property facility in question

no objection certificate noc letter format for employee free letters - Jul 16 2023

web jul 28 2021 noc letter format for employee or noc format for employee is an official letter certificate that is issued by the company showing no objection towards their employee performing a certain activity the no objection certificate format given below can be used for various purposes such as job change part time job attending a

no objection certificate noc sample format from employer - Nov 08 2022

web noc no objection certificate hrone hr software home template noc no objection certificate recent posts timesheet management policy completing tasks within the stipulated time attendance policy every employer loves a punctual salary advance policy when do you help your performance management policy what

noc letters 20 templates to use writolay - Oct 07 2022

web may 6 2023 noc letters 20 templates to use may 6 2023 by rahul panchal noc letters the keys to unlocking new opportunities carry immense value in various aspects of life whether for education travel or employment these letters hold the power to grant you the freedom to pursue your dreams

noc format templates samples writing tips leverage edu - Oct 19 2023

web oct 11 2022 5 minute read a no objection certificate or noc is an official and legal document that acts as a positive attestation by an organisation in favour of another organization or a person it stands in the court of law and can be issued by an organisation for several causes

sample letter of no objection certificate from employer - Aug 17 2023

web jun 20 2017 general guidelines for drafting a no objection certificate the no objection certificate from employer as the name suggests is letter provided by your employer stating that the company has no

letter for noc request no objection certificate - Feb 11 2023

web subject noc issuance request by your name business name dear sir madam please note that i need a noc for mention the purpose here i request you to issue me my noc as soon as possible so that i can submit it ahead of time i will be grateful for your kindness sincerely yours your name application for noc from current employer dear sir

noc letter to work in other company 4 templates writolay - Sep 18 2023

web sep 27 2020 subject noc for employees to work in other organizations respected sir madam i mention your name the hr manager of mention company name writing this letter to inform you that we have no objection to employees if they work for other organizations too we are satisfied by their workings at mention company name

application format for no objection certificate from employer - May 14 2023

web here are samples of such application letters and the noc from the employer template 1 application to previous employer for issue of noc date to name of the boss hr manager designation name of the company firm office address tel sub request for

issue of no objection certificate dear sir madam

noc request letter format sample letters easy - Apr 13 2023

web dear recipient s name i am writing this email to request a no objection certificate noc from name of the company organization for reason for noc the noc is required for specify the purpose of noc i have attached all the