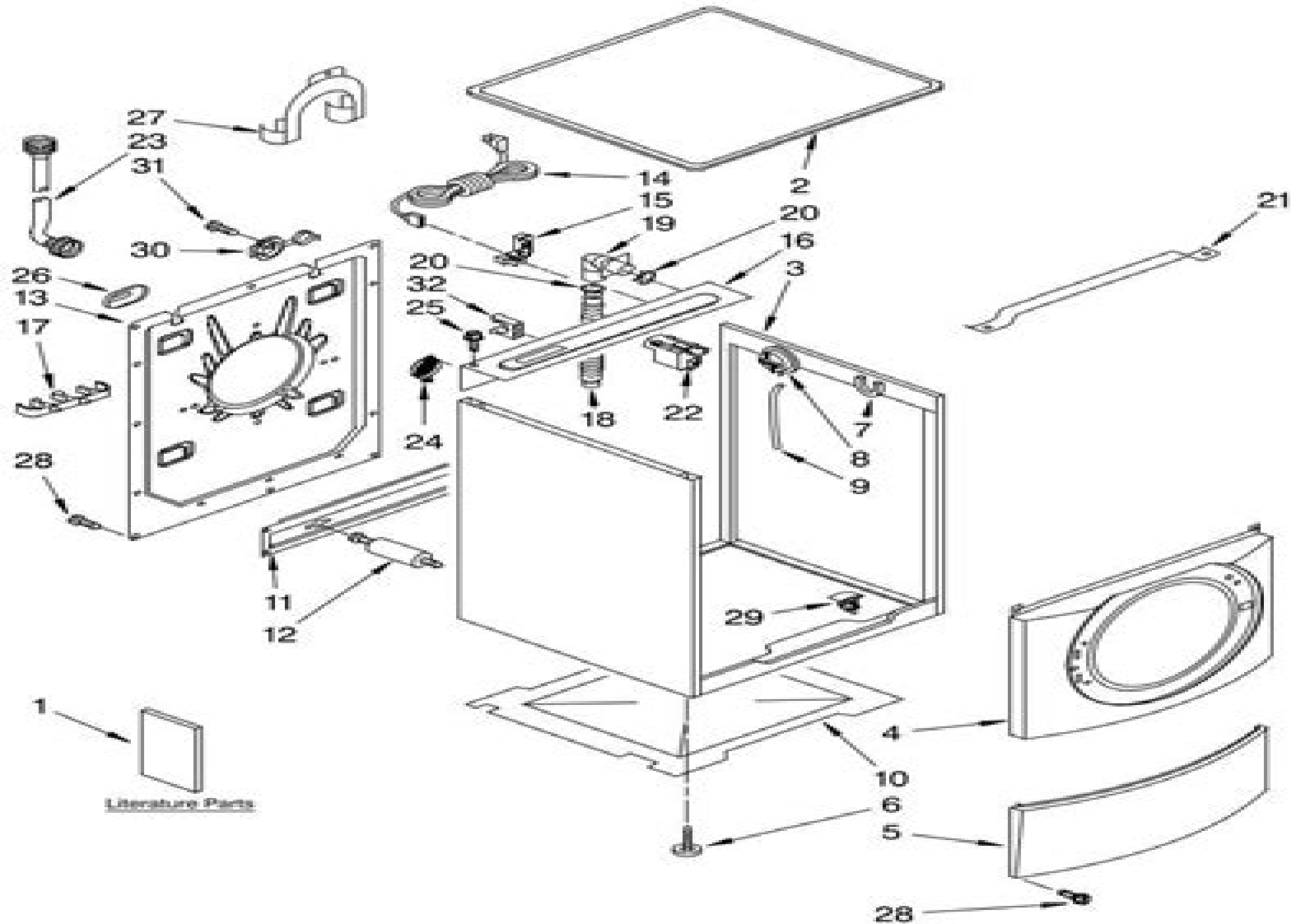


# TOP AND CABINET PARTS

For Models: MFW9800TQ0, MFW9800TK0  
(White) (Pacific Blue)

AUTOMATIC  
WASHER



FOR ORDERING INFORMATION REFER TO PARTS PRICE LIST

# Maytag Performa Service Manual

**J Dewey**



## **Maytag Performa Service Manual:**

*Maytag Performa* Maytag Corporation,2004      *Popular Mechanics* ,1988-11 Popular Mechanics inspires instructs and influences readers to help them master the modern world Whether it s practical DIY home improvement tips gadgets and digital technology information on the newest cars or the latest breakthroughs in science PM is the ultimate guide to our high tech lifestyle      **Catalogue of Title-entries of Books and Other Articles Entered in the Office of the Librarian of Congress, at Washington, Under the Copyright Law ... Wherein the Copyright Has Been Completed by the Deposit of Two Copies in the Office** Library of Congress. Copyright Office,1978      *Popular Mechanics* ,1987-07 Popular Mechanics inspires instructs and influences readers to help them master the modern world Whether it s practical DIY home improvement tips gadgets and digital technology information on the newest cars or the latest breakthroughs in science PM is the ultimate guide to our high tech lifestyle      **Popular Mechanics** ,1989-08 Popular Mechanics inspires instructs and influences readers to help them master the modern world Whether it s practical DIY home improvement tips gadgets and digital technology information on the newest cars or the latest breakthroughs in science PM is the ultimate guide to our high tech lifestyle      *Catalog of Copyright Entries* Library of Congress. Copyright Office,1981      **Apex Electrical Manufacturing Company V. Altorfer Bros. Company** ,1956      **Catalog of Copyright Entries. Third Series** Library of Congress. Copyright Office,1956 Includes Part 1 Number 2 Books and Pamphlets Including Serials and Contributions to Periodicals July December      *Electric Cooking, Heating, Cleaning, Etc* Maud Lucas Lancaster,1914      *Maytag Automatic Washer Service Manual, Model AM & AMP.* Maytag Company,1950      *Popular Mechanics* ,1997      **Popular Science** ,1966-04 Popular Science gives our readers the information and tools to improve their technology and their world The core belief that Popular Science and our readers share The future is going to be better and science and technology are the driving forces that will help make it better      **Books and Pamphlets, Including Serials and Contributions to Periodicals** Library of Congress. Copyright Office,1968      *The National Union Catalog, Pre-1956 Imprints* ,1968      *The Country Gentleman* ,1916      **Good Housekeeping** ,1917      **successful farming** ,1916      *Popular Mechanics* ,1997-08 Popular Mechanics inspires instructs and influences readers to help them master the modern world Whether it s practical DIY home improvement tips gadgets and digital technology information on the newest cars or the latest breakthroughs in science PM is the ultimate guide to our high tech lifestyle      **Maytag** Maytag Appliances Slaes Company,2001      *Popular Science* ,1951-04 Popular Science gives our readers the information and tools to improve their technology and their world The core belief that Popular Science and our readers share The future is going to be better and science and technology are the driving forces that will help make it better

Fuel your quest for knowledge with Authored by is thought-provoking masterpiece, Explore **Maytag Performa Service Manual** . This educational ebook, conveniently sized in PDF ( PDF Size: \*), is a gateway to personal growth and intellectual stimulation. Immerse yourself in the enriching content curated to cater to every eager mind. Download now and embark on a learning journey that promises to expand your horizons. .

[https://staging.conocer.cide.edu/About/detail/default.aspx/motorcycle\\_carb\\_tuning\\_guide.pdf](https://staging.conocer.cide.edu/About/detail/default.aspx/motorcycle_carb_tuning_guide.pdf)

## **Table of Contents Maytag Performa Service Manual**

1. Understanding the eBook Maytag Performa Service Manual
  - The Rise of Digital Reading Maytag Performa Service Manual
  - Advantages of eBooks Over Traditional Books
2. Identifying Maytag Performa Service Manual
  - Exploring Different Genres
  - Considering Fiction vs. Non-Fiction
  - Determining Your Reading Goals
3. Choosing the Right eBook Platform
  - Popular eBook Platforms
  - Features to Look for in an Maytag Performa Service Manual
  - User-Friendly Interface
4. Exploring eBook Recommendations from Maytag Performa Service Manual
  - Personalized Recommendations
  - Maytag Performa Service Manual User Reviews and Ratings
  - Maytag Performa Service Manual and Bestseller Lists
5. Accessing Maytag Performa Service Manual Free and Paid eBooks
  - Maytag Performa Service Manual Public Domain eBooks
  - Maytag Performa Service Manual eBook Subscription Services
  - Maytag Performa Service Manual Budget-Friendly Options

6. Navigating Maytag Performa Service Manual eBook Formats
  - ePub, PDF, MOBI, and More
  - Maytag Performa Service Manual Compatibility with Devices
  - Maytag Performa Service Manual Enhanced eBook Features
7. Enhancing Your Reading Experience
  - Adjustable Fonts and Text Sizes of Maytag Performa Service Manual
  - Highlighting and Note-Taking Maytag Performa Service Manual
  - Interactive Elements Maytag Performa Service Manual
8. Staying Engaged with Maytag Performa Service Manual
  - Joining Online Reading Communities
  - Participating in Virtual Book Clubs
  - Following Authors and Publishers Maytag Performa Service Manual
9. Balancing eBooks and Physical Books Maytag Performa Service Manual
  - Benefits of a Digital Library
  - Creating a Diverse Reading Collection Maytag Performa Service Manual
10. Overcoming Reading Challenges
  - Dealing with Digital Eye Strain
  - Minimizing Distractions
  - Managing Screen Time
11. Cultivating a Reading Routine Maytag Performa Service Manual
  - Setting Reading Goals Maytag Performa Service Manual
  - Carving Out Dedicated Reading Time
12. Sourcing Reliable Information of Maytag Performa Service Manual
  - Fact-Checking eBook Content of Maytag Performa Service Manual
  - Distinguishing Credible Sources
13. Promoting Lifelong Learning
  - Utilizing eBooks for Skill Development
  - Exploring Educational eBooks
14. Embracing eBook Trends
  - Integration of Multimedia Elements

- Interactive and Gamified eBooks

### **Maytag Performa Service Manual Introduction**

In this digital age, the convenience of accessing information at our fingertips has become a necessity. Whether its research papers, eBooks, or user manuals, PDF files have become the preferred format for sharing and reading documents. However, the cost associated with purchasing PDF files can sometimes be a barrier for many individuals and organizations. Thankfully, there are numerous websites and platforms that allow users to download free PDF files legally. In this article, we will explore some of the best platforms to download free PDFs. One of the most popular platforms to download free PDF files is Project Gutenberg. This online library offers over 60,000 free eBooks that are in the public domain. From classic literature to historical documents, Project Gutenberg provides a wide range of PDF files that can be downloaded and enjoyed on various devices. The website is user-friendly and allows users to search for specific titles or browse through different categories. Another reliable platform for downloading Maytag Performa Service Manual free PDF files is Open Library. With its vast collection of over 1 million eBooks, Open Library has something for every reader. The website offers a seamless experience by providing options to borrow or download PDF files. Users simply need to create a free account to access this treasure trove of knowledge. Open Library also allows users to contribute by uploading and sharing their own PDF files, making it a collaborative platform for book enthusiasts. For those interested in academic resources, there are websites dedicated to providing free PDFs of research papers and scientific articles. One such website is Academia.edu, which allows researchers and scholars to share their work with a global audience. Users can download PDF files of research papers, theses, and dissertations covering a wide range of subjects. Academia.edu also provides a platform for discussions and networking within the academic community. When it comes to downloading Maytag Performa Service Manual free PDF files of magazines, brochures, and catalogs, Issuu is a popular choice. This digital publishing platform hosts a vast collection of publications from around the world. Users can search for specific titles or explore various categories and genres. Issuu offers a seamless reading experience with its user-friendly interface and allows users to download PDF files for offline reading. Apart from dedicated platforms, search engines also play a crucial role in finding free PDF files. Google, for instance, has an advanced search feature that allows users to filter results by file type. By specifying the file type as "PDF," users can find websites that offer free PDF downloads on a specific topic. While downloading Maytag Performa Service Manual free PDF files is convenient, its important to note that copyright laws must be respected. Always ensure that the PDF files you download are legally available for free. Many authors and publishers voluntarily provide free PDF versions of their work, but its essential to be cautious and verify the authenticity of the source before downloading Maytag Performa Service Manual. In conclusion, the internet offers numerous platforms and websites that allow users to download free PDF files legally. Whether its classic

literature, research papers, or magazines, there is something for everyone. The platforms mentioned in this article, such as Project Gutenberg, Open Library, Academia.edu, and Issuu, provide access to a vast collection of PDF files. However, users should always be cautious and verify the legality of the source before downloading Maytag Performa Service Manual any PDF files. With these platforms, the world of PDF downloads is just a click away.

### FAQs About Maytag Performa Service Manual Books

**What is a Maytag Performa Service Manual PDF?** A PDF (Portable Document Format) is a file format developed by Adobe that preserves the layout and formatting of a document, regardless of the software, hardware, or operating system used to view or print it. **How do I create a Maytag Performa Service Manual PDF?** There are several ways to create a PDF: Use software like Adobe Acrobat, Microsoft Word, or Google Docs, which often have built-in PDF creation tools. Print to PDF: Many applications and operating systems have a "Print to PDF" option that allows you to save a document as a PDF file instead of printing it on paper. Online converters: There are various online tools that can convert different file types to PDF. **How do I edit a Maytag Performa Service Manual PDF?** Editing a PDF can be done with software like Adobe Acrobat, which allows direct editing of text, images, and other elements within the PDF. Some free tools, like PDFescape or Smallpdf, also offer basic editing capabilities. **How do I convert a Maytag Performa Service Manual PDF to another file format?** There are multiple ways to convert a PDF to another format: Use online converters like Smallpdf, Zamzar, or Adobe Acrobats export feature to convert PDFs to formats like Word, Excel, JPEG, etc. Software like Adobe Acrobat, Microsoft Word, or other PDF editors may have options to export or save PDFs in different formats. **How do I password-protect a Maytag Performa Service Manual PDF?** Most PDF editing software allows you to add password protection. In Adobe Acrobat, for instance, you can go to "File" -> "Properties" -> "Security" to set a password to restrict access or editing capabilities. Are there any free alternatives to Adobe Acrobat for working with PDFs? Yes, there are many free alternatives for working with PDFs, such as: LibreOffice: Offers PDF editing features. PDFsam: Allows splitting, merging, and editing PDFs. Foxit Reader: Provides basic PDF viewing and editing capabilities. How do I compress a PDF file? You can use online tools like Smallpdf, ILovePDF, or desktop software like Adobe Acrobat to compress PDF files without significant quality loss. Compression reduces the file size, making it easier to share and download. Can I fill out forms in a PDF file? Yes, most PDF viewers/editors like Adobe Acrobat, Preview (on Mac), or various online tools allow you to fill out forms in PDF files by selecting text fields and entering information. Are there any restrictions when working with PDFs? Some PDFs might have restrictions set by their creator, such as password protection, editing restrictions, or print restrictions. Breaking these restrictions might require specific software or tools, which may or may not be legal depending on the circumstances and local laws.

**Find Maytag Performa Service Manual :**

**motorcycle carb tuning guide**

[motorcycle engine guards harley davidson](#)

*motorcycle frames for sale with title*

*motorcycle rental columbus ohio*

~~[motorcycle trunks for harley davidson](#)~~

**moses goes to a concert test**

[motorcraft s guide](#)

[motorola a1000 cell phones owners manual](#)

**motor vehicle inspection report form sample**

*moto 4 350 manual*

**mossberg 45a rifle manual**

**mosfet 50 manual**

[motor vehicle licence renewal](#)

[motor fenner lift manual](#)

*mossburg owners manual*

**Maytag Performa Service Manual :**

Vintage Mercruiser Model 888 Operation and ... - eBay Vintage Mercruiser Model 888 Operation and Maintenance Manual. Part number C-90-63570 revision 1-12-72 (1972). Average condition original manual. MERCURY MERCUISER MC888 STERN DRIVE UNITS ... Oct 17, 2021 — Read MERCURY MERCUISER MC888 STERN DRIVE UNITS AND MARINE ENGINE (1974-1977) Service Repair Manual SN□37 by u4c2eik on Issuu and browse ... 1976 1977 Mercruiser Operation Manual Model 888 233 ... 1976 1977 Mercruiser Operation Manual Model 888 233 Pocket Service Guide Lot ; Condition. Used ; Quantity. 1 available ; Item Number. 266266005332 ; Accurate ... merCruiser MerCruiser 888-2255-233. 3784375 and Above. MerCruiser 120-260. 4890460 and Up ... proper service manual - Section 1 General Information. C Screw [torque to 28 ... Mercury mercruiser mcm888 stern drive units and marine ... Feb 11, 2018 — Mercury mercruiser mcm888 stern drive units and marine engine (1974 1977) service repair manual sn□3777490 and below - Download as a PDF or ... Mercruiser Stern Drive Operation & Maintenance Manual ... Service Tools · Throttle Shift Control Cables · 4300/43 Series Cable 1/4 - 28 ... Mercruiser Stern Drive Operation & Maintenance Manual Models 888 ... MERCUISER: Books MERCURY



MERCUISER #9 MARINE ENGINES GM V-8 CYLINDER SERVICE MANUAL 90-14499 ... JULY 1973 MERCUISER 888 ENGINE PARTS MANUAL (762). by Mercruiser. Paperback. Mercruiser 888 | Boat Repair Forum Nov 18, 2013 — Hello, I am new here and trying to get a little information on this Mercruiser 888. It is in a 1976 Steury 18 foot runabout. 1977 Mercruiser 888 Repair Manual pdf - Boating Forum Apr 1, 2012 — Would anyone happen to have the repair manual for the boat I recently bought in a pdf format? 1977 Marquis with a Mercruiser 888 v8 302 Ford ... Ebook free Set theory an intuitive approach solutions lin ( ... Oct 7, 2023 — a thorough introduction to group theory this highly problem oriented book goes deeply into the subject to provide a fuller understanding ... Set Theory An Intuitive Approach Solutions Lin (2023) Oct 3, 2023 — A topological solution to object segmentation and ... Set Theory An Intuitive Approach Solutions Lin Book Review: Unveiling the Power of Words. 2IIM CAT Preparation - Intuitive Method to Solve Set Theory Set Theory An Intuitive Approach Solution If you ally obsession such a referred set theory an intuitive approach solution ebook that will have the funds for you worth, acquire the unconditionally ... Intuitive and/or philosophical explanation for set theory ... Jun 18, 2010 — We define something by quantifying over a set that contains the thing being defined. The intuition is that if we avoid such "impredicative" ... Solved My question is Set Theory related. Recently we were Sep 27, 2019 — The methods to be used to prove the identities/relationships is through set builder notation or set identities. Specifically  $3c$  seems intuitive, ... Books by Shwu-Yeng T. Lin Looking for books by Shwu-Yeng T. Lin? See all books authored by Shwu-Yeng T. Lin, including Set Theory With Applications, and Set theory: An intuitive ... Chapter 2 An Intuitive Approach to Groups One of the major topics of this course is groups. The area of mathematics that is concerned with groups is called group theory. Loosely speaking, group ... Measure Theory for Beginners: An Intuitive Approach Theorem 1: There exist sets in the reals which are non-measurable. That is, no matter how I define a measure, there is no way to give a definite ... An Introduction to Behavioral Economics: Wilkinson, Nick ... The third edition of this successful textbook is a comprehensive, rigorous survey of the major topics in the field of behavioral economics. An Introduction to Behavioral Economics: : Nick Wilkinson Dec 27, 2017 — A thoroughly updated third edition of this popular textbook which covers cutting-edge behavioural economics in a pleasingly engaging style. An Introduction to Behavioral Economics NICK WILKINSON is Professor at Richmond the American International University in London and has taught economics and finance in various international ... An Introduction to Behavioral Economics CHAPTER 4 Beliefs, Heuristics and Biases. 4.1. The standard model. 117. 4.2. Probability estimation. 119. 4.3. Self-evaluation bias. An Introduction to Behavioral Economics 3rd edition An Introduction to Behavioral Economics 3rd Edition is written by Nick Wilkinson; Matthias Klaes and published by Bloomsbury Academic. An Introduction to Behavioral Economics The third edition of this successful textbook is a comprehensive, rigorous survey of the major topics in the field of behavioral economics. An Introduction to Behavioral Economics by Nick Wilkinson The third edition of this successful textbook is a comprehensive, rigorous survey of the major topics in the field of behavioral economics. An Introduction to

Behavioral Economics By Nick Wilkinson, Matthias Klaes, ISBN: 9780230291461, Paperback. Bulk books at wholesale prices. Min. 25 copies. Free Shipping & Price Match Guarantee. An Introduction to Behavioral Economics — Discovery by N Wilkinson · 2017 · Cited by 838 — The third edition of this successful textbook is a comprehensive, rigorous survey of the major topics in the field of behavioral economics. An Introduction to Behavioral Economics by Wilkinson, Nick Wilkinson, Nick ; Title: An Introduction to Behavioral Economics ; Publisher: Palgrave Macmillan ; Publication Date: 2012 ; Binding: Paperback ; Condition: new.