

Read this before you start...

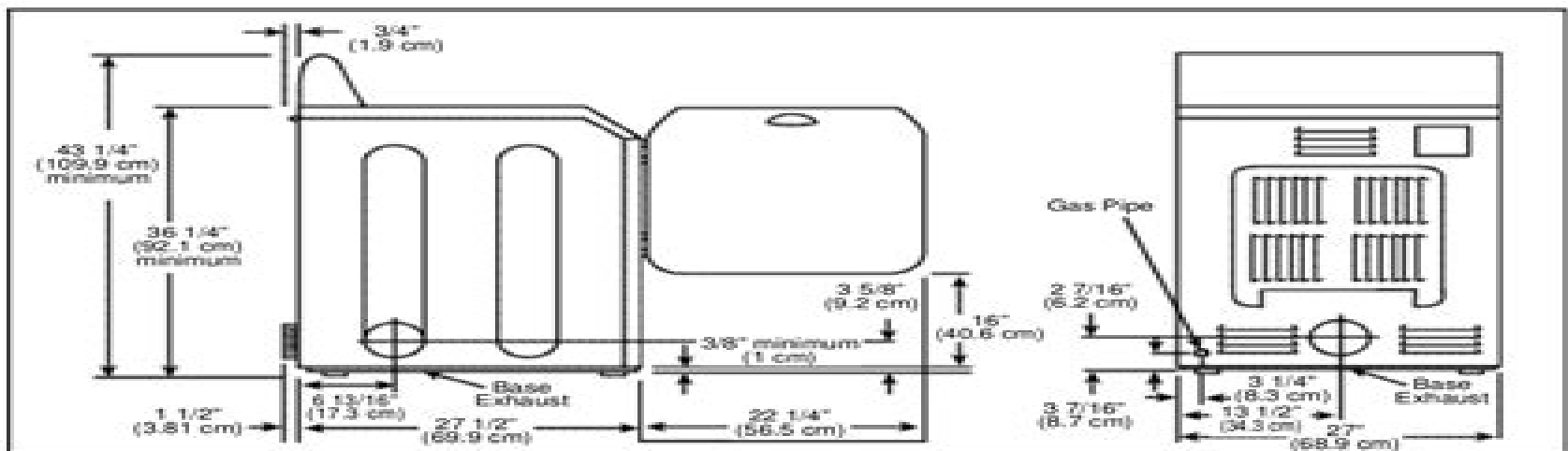


Proper installation is the responsibility of the owner.

HOWEVER, SERVICE CALLS PERFORMED AS A RESULT OF POOR SET-UP, ADJUSTMENT AND CONNECTION ARE THE RESPONSIBILITY OF THE INSTALLER.

Make sure you have everything necessary for proper installation.

1. **GROUNDING ELECTRICAL OUTLET** is required. See Electric Requirements.
2. **POWER CORD** for electric dryers (except Canada).
3. **GAS LINES** (if a gas dryer) must meet National and Local Codes.
4. **EXHAUST SYSTEM** – must be rigid metal or flexible stiff walled metal exhaust ducting. See Exhaust Requirements.



IMPORTANT TO INSTALLER

PLEASE READ THE FOLLOWING INSTRUCTIONS CAREFULLY BEFORE STARTING TO INSTALL THE DRYER. THESE INSTRUCTIONS SHOULD BE RETAINED FOR FUTURE REFERENCE.

REMOVE THE DOOR FROM ALL DISCARDED APPLIANCES SUCH AS DRYERS TO AVOID THE DANGER OF A CHILD SUFFOCATING.

Maytag Neptune Dryer Mde5500ayw Manual

Maytag Company



Maytag Neptune Dryer Mde5500ayw Manual:

Maytag Neptune Maytag Corporation,1998 **Maytag Neptune** Maytag Appliances Sales Company,Maytag Corporation,2003* **Maytag Automatic Dryer Service Manual** Maytag Company,1984 **Maytag Automatic Electric Forced Air Clothes Dryer Service Manual** Maytag Company,1957 **Maytag Automatic Dryer Service Manual** Maytag Company,1980 **Maytag 1999 Sloped-front Dryer Service Manual** Maytag Appliances Sales Company,2003 **Maytag Halo of Heat Automatic Dryers Service Manual Covering Models 66CB and 76CB.** Maytag Company,1962 **Maytag Automatic Washer Service Manual, Model AM & AMP.** Maytag Company,1950 **Repair Manual, Kenmore Gas/electric Dryer** Sears, Roebuck and Company,1984 **Maytag Automatic Washer Service Manual** Maytag Company,2003 **Step-by-step Dryer Repair Manual** General Electric Company,1990 **Maytag Performa** Maytag Corporation,2004 **Maytag** Maytag Appliances Slaes Company,2001 **Maytag Sales Manual** Maytag Company,John W. Hartman Center for Sales, Advertising & Marketing History,1952 *Sears Do it Yourself Repair Manual Kenmore Gas/electric Dryer* Sears, Roebuck and Company,1984 Maytag Maytag Appliances Slaes Company,1998 **Maytag Dishwasher Service Manual** Maytag Company,1975 *Service Manual* Norge Company,1979 **Automatic Dryer Service Manual** Magic Chef, inc,1980 Maytag Automatic Washer Service Manual Maytag Company,1980

Maytag Neptune Dryer Mde5500ayw Manual Book Review: Unveiling the Magic of Language

In an electronic era where connections and knowledge reign supreme, the enchanting power of language has become more apparent than ever. Its ability to stir emotions, provoke thought, and instigate transformation is actually remarkable. This extraordinary book, aptly titled "**Maytag Neptune Dryer Mde5500ayw Manual**," compiled by a highly acclaimed author, immerses readers in a captivating exploration of the significance of language and its profound impact on our existence. Throughout this critique, we will delve to the book is central themes, evaluate its unique writing style, and assess its overall influence on its readership.

https://staging.conocer.cide.edu/About/detail/index.jsp/my_stat_lab_pearson_statistics_answer_key.pdf

Table of Contents Maytag Neptune Dryer Mde5500ayw Manual

1. Understanding the eBook Maytag Neptune Dryer Mde5500ayw Manual
 - The Rise of Digital Reading Maytag Neptune Dryer Mde5500ayw Manual
 - Advantages of eBooks Over Traditional Books
2. Identifying Maytag Neptune Dryer Mde5500ayw Manual
 - Exploring Different Genres
 - Considering Fiction vs. Non-Fiction
 - Determining Your Reading Goals
3. Choosing the Right eBook Platform
 - Popular eBook Platforms
 - Features to Look for in an Maytag Neptune Dryer Mde5500ayw Manual
 - User-Friendly Interface
4. Exploring eBook Recommendations from Maytag Neptune Dryer Mde5500ayw Manual
 - Personalized Recommendations
 - Maytag Neptune Dryer Mde5500ayw Manual User Reviews and Ratings
 - Maytag Neptune Dryer Mde5500ayw Manual and Bestseller Lists

5. Accessing Maytag Neptune Dryer Mde5500ayw Manual Free and Paid eBooks
 - Maytag Neptune Dryer Mde5500ayw Manual Public Domain eBooks
 - Maytag Neptune Dryer Mde5500ayw Manual eBook Subscription Services
 - Maytag Neptune Dryer Mde5500ayw Manual Budget-Friendly Options
6. Navigating Maytag Neptune Dryer Mde5500ayw Manual eBook Formats
 - ePub, PDF, MOBI, and More
 - Maytag Neptune Dryer Mde5500ayw Manual Compatibility with Devices
 - Maytag Neptune Dryer Mde5500ayw Manual Enhanced eBook Features
7. Enhancing Your Reading Experience
 - Adjustable Fonts and Text Sizes of Maytag Neptune Dryer Mde5500ayw Manual
 - Highlighting and Note-Taking Maytag Neptune Dryer Mde5500ayw Manual
 - Interactive Elements Maytag Neptune Dryer Mde5500ayw Manual
8. Staying Engaged with Maytag Neptune Dryer Mde5500ayw Manual
 - Joining Online Reading Communities
 - Participating in Virtual Book Clubs
 - Following Authors and Publishers Maytag Neptune Dryer Mde5500ayw Manual
9. Balancing eBooks and Physical Books Maytag Neptune Dryer Mde5500ayw Manual
 - Benefits of a Digital Library
 - Creating a Diverse Reading Collection Maytag Neptune Dryer Mde5500ayw Manual
10. Overcoming Reading Challenges
 - Dealing with Digital Eye Strain
 - Minimizing Distractions
 - Managing Screen Time
11. Cultivating a Reading Routine Maytag Neptune Dryer Mde5500ayw Manual
 - Setting Reading Goals Maytag Neptune Dryer Mde5500ayw Manual
 - Carving Out Dedicated Reading Time
12. Sourcing Reliable Information of Maytag Neptune Dryer Mde5500ayw Manual
 - Fact-Checking eBook Content of Maytag Neptune Dryer Mde5500ayw Manual
 - Distinguishing Credible Sources
13. Promoting Lifelong Learning

- Utilizing eBooks for Skill Development
 - Exploring Educational eBooks
14. Embracing eBook Trends
- Integration of Multimedia Elements
 - Interactive and Gamified eBooks

Maytag Neptune Dryer Mde5500ayw Manual Introduction

Maytag Neptune Dryer Mde5500ayw Manual Offers over 60,000 free eBooks, including many classics that are in the public domain. Open Library: Provides access to over 1 million free eBooks, including classic literature and contemporary works. Maytag Neptune Dryer Mde5500ayw Manual Offers a vast collection of books, some of which are available for free as PDF downloads, particularly older books in the public domain. Maytag Neptune Dryer Mde5500ayw Manual : This website hosts a vast collection of scientific articles, books, and textbooks. While it operates in a legal gray area due to copyright issues, its a popular resource for finding various publications. Internet Archive for Maytag Neptune Dryer Mde5500ayw Manual : Has an extensive collection of digital content, including books, articles, videos, and more. It has a massive library of free downloadable books. Free-eBooks Maytag Neptune Dryer Mde5500ayw Manual Offers a diverse range of free eBooks across various genres. Maytag Neptune Dryer Mde5500ayw Manual Focuses mainly on educational books, textbooks, and business books. It offers free PDF downloads for educational purposes. Maytag Neptune Dryer Mde5500ayw Manual Provides a large selection of free eBooks in different genres, which are available for download in various formats, including PDF. Finding specific Maytag Neptune Dryer Mde5500ayw Manual, especially related to Maytag Neptune Dryer Mde5500ayw Manual, might be challenging as theyre often artistic creations rather than practical blueprints. However, you can explore the following steps to search for or create your own Online Searches: Look for websites, forums, or blogs dedicated to Maytag Neptune Dryer Mde5500ayw Manual, Sometimes enthusiasts share their designs or concepts in PDF format. Books and Magazines Some Maytag Neptune Dryer Mde5500ayw Manual books or magazines might include. Look for these in online stores or libraries. Remember that while Maytag Neptune Dryer Mde5500ayw Manual, sharing copyrighted material without permission is not legal. Always ensure youre either creating your own or obtaining them from legitimate sources that allow sharing and downloading. Library Check if your local library offers eBook lending services. Many libraries have digital catalogs where you can borrow Maytag Neptune Dryer Mde5500ayw Manual eBooks for free, including popular titles. Online Retailers: Websites like Amazon, Google Books, or Apple Books often sell eBooks. Sometimes, authors or publishers offer promotions or free periods for certain books. Authors Website Occasionally, authors provide excerpts or short stories for free on their websites. While this might not be the Maytag Neptune Dryer Mde5500ayw Manual full book , it can give you a taste

of the authors writing style. Subscription Services Platforms like Kindle Unlimited or Scribd offer subscription-based access to a wide range of Maytag Neptune Dryer Mde5500ayw Manual eBooks, including some popular titles.

FAQs About Maytag Neptune Dryer Mde5500ayw Manual Books

What is a Maytag Neptune Dryer Mde5500ayw Manual PDF? A PDF (Portable Document Format) is a file format developed by Adobe that preserves the layout and formatting of a document, regardless of the software, hardware, or operating system used to view or print it. **How do I create a Maytag Neptune Dryer Mde5500ayw Manual PDF?** There are several ways to create a PDF: Use software like Adobe Acrobat, Microsoft Word, or Google Docs, which often have built-in PDF creation tools. Print to PDF: Many applications and operating systems have a "Print to PDF" option that allows you to save a document as a PDF file instead of printing it on paper. Online converters: There are various online tools that can convert different file types to PDF. **How do I edit a Maytag Neptune Dryer Mde5500ayw Manual PDF?** Editing a PDF can be done with software like Adobe Acrobat, which allows direct editing of text, images, and other elements within the PDF. Some free tools, like PDFescape or Smallpdf, also offer basic editing capabilities. **How do I convert a Maytag Neptune Dryer Mde5500ayw Manual PDF to another file format?** There are multiple ways to convert a PDF to another format: Use online converters like Smallpdf, Zamzar, or Adobe Acrobats export feature to convert PDFs to formats like Word, Excel, JPEG, etc. Software like Adobe Acrobat, Microsoft Word, or other PDF editors may have options to export or save PDFs in different formats. **How do I password-protect a Maytag Neptune Dryer Mde5500ayw Manual PDF?** Most PDF editing software allows you to add password protection. In Adobe Acrobat, for instance, you can go to "File" -> "Properties" -> "Security" to set a password to restrict access or editing capabilities. Are there any free alternatives to Adobe Acrobat for working with PDFs? Yes, there are many free alternatives for working with PDFs, such as: LibreOffice: Offers PDF editing features. PDFsam: Allows splitting, merging, and editing PDFs. Foxit Reader: Provides basic PDF viewing and editing capabilities. How do I compress a PDF file? You can use online tools like Smallpdf, ILovePDF, or desktop software like Adobe Acrobat to compress PDF files without significant quality loss. Compression reduces the file size, making it easier to share and download. Can I fill out forms in a PDF file? Yes, most PDF viewers/editors like Adobe Acrobat, Preview (on Mac), or various online tools allow you to fill out forms in PDF files by selecting text fields and entering information. Are there any restrictions when working with PDFs? Some PDFs might have restrictions set by their creator, such as password protection, editing restrictions, or print restrictions. Breaking these restrictions might require specific software or tools, which may or may not be legal depending on the circumstances and local laws.

Find Maytag Neptune Dryer Mde5500ayw Manual :

my stat lab pearson statistics answer key

[n11 4 chemi sp2 eng tz0 m](#)

mystatlab homework solutions

[my ordeal with the devil and donnie brown book 1](#)

[my favorite vacation college essay](#)

[my registration unisa brochure](#)

mysql developer library 5th edition

[myford mystro lathe manual](#)

my fair beagle english edition

myunisa previous examination paper 2013

[mystery shopper checklist template automobile](#)

mystery shopper report template restaurant

[myfinancelab solutions chapter 5](#)

[n1 industrial electronics test questions](#)

[my forbidden face study guide answers](#)

Maytag Neptune Dryer Mde5500ayw Manual :

panasonic dp 2310 dp 3010 dp 2330 dp 3030 other service manuals - Feb 10 2023

web other service manuals dp 2310 dp 3010 dp 2330 dp 3030 pdf download size 11 43 mb panasonic copying equipment digital imaging systems page 2

panasonic dp 2330 operating instructions manual - Mar 11 2023

web view and download panasonic dp 2330 operating instructions manual online digital imaging systems dp 2330 all in one printer pdf manual download also for dp 3030

panasonic dp 2330 all in one printer user manual - Mar 31 2022

web panasonic dp 2330 all in one printer user manual max less than 1 5 kw 1 dimensions and weight are approximate 2 speeds are contingent upon applications machine configuration and status individual speeds may vary 3 may not be available in certain destinations 4 compatible with novell netware 3 4 5 6 and novell directory

[panasonic dp 2330 3030 service manual repair guide](#) - Nov 07 2022

web product specifications adjustments disassembly and replacement troubleshooting service modes error codes exploded views replacement parts list this manual is very detailed and illustrated with pictures and step by step instructions on how to repair service this device the best way there is

panasonic dp 2310 dp 3010 dp 2330 dp 3030 other service manuals - Apr 12 2023

web other service manuals dp 2310 dp 3010 dp 2330 dp 3030 pdf download size 11 43 mb panasonic copying equipment digital imaging systems panasonic dp 2310 dp 3010 dp 2330 dp 3030 other service manuals

panasonic dp 2330 manuals manualslib - Aug 16 2023

web panasonic dp 2330 manuals manuals and user guides for panasonic dp 2330 we have 6 panasonic dp 2330 manuals available for free pdf download service manual service handbook operating instructions manual specification

download panasonic dp 2330 service manual - Jun 14 2023

web description of panasonic dp 2330 service manual complete service manual in digital format pdf file service manuals usually contains circuit diagrams printed circuit boards repair tips wiring diagrams block diagrams and parts list

panasonic dp 2330 user manual page 1 of 116 - May 01 2022

web panasonic dp 2330 user manual before operating this software please read these instructions completely and keep these operating instructions for future reference

panasonic dp 2330 user manual page 1 of 4 manualsbrain com - Feb 27 2022

web windows xp 2000 server 2003 98 me windows nt 4 0 tiff pdf 1 dimensions and weight are approximate 2 speeds are contingent upon applications machine configuration and status individual speeds may vary 3 may not be available in certain destinations

panasonic dp 2310 dp 3010 dp 2330 dp 3030 service manual - Jun 02 2022

web get your panasonic dp 2310 3010 2330 3030 service manual purchase download and save as pdf files with repairloader com

panasonic workio dp 3030 operating instructions manual - Dec 28 2021

web digital imaging systems operating instructions for copy network scan functions model no dp 2330 3030 with options before operating this equipment please read these instructions completely and keep these operating instructions for future reference english 2 getting to know your machine useful office functions copy copy up to ledger size

workio dp 2330 3030 digital imaging system panasonic - Jul 03 2022

web pdl printer driver workio dp 2330 3030 manual and guide pdl printer driver with installer windows2000 xp server2003 vista server2008 pdl printer driver without installer windows98 me nt 2000 xp server2003 vista server2008 pdl printer usb driver without installer windows98 me

panasonic dp2330 service manual service manuals - Aug 04 2022

web our panasonic dp2330 service manual provides the important servicing information and operating instructions you need to diagnose and repair your malfunctioning or failing unit most of our service manuals will include disassembly instructions schematic diagrams parts lists exploded views troubleshooting wiring diagrams and much much

workio dp 2330 3030 digital imaging system panasonic - Jan 09 2023

web download workio dp 2330 3030 gdi printer driver pdl printer driver adobe postscript printer driver application

panasonic dp 2310 3010 service handbook manualslib - Jul 15 2023

web view and download panasonic dp 2310 3010 service handbook online dp 2310 3010 all in one printer pdf manual download also for dp 2330 3030

panasonic dp 2330 operating instructions manual - Sep 05 2022

web view and download panasonic dp 2330 operating instructions manual online digital imaging systems dp 2330 all in one printer pdf manual download also for dp 6030 dp 3530 dp 3030 dp 4530

panasonic dp 3030 service manual pdf download manualslib - Oct 06 2022

web view and download panasonic dp 3030 service manual online digital imaging systems dp 3030 all in one printer pdf manual download also for dp 2330 dp 3010 dp 2310

panasonic dp 2330 user manual download pdf - Jan 29 2022

web browse online or download panasonic dp 2330 user manual 4 pages printers panasonic dp 2330 user manual pdf download free 3 40 mb related for

panasonic dp 2330 specification pdf download manualslib - Dec 08 2022

web view and download panasonic dp 2330 specification online panasonic printer specification sheet dp 2330 all in one printer pdf manual download

panasonic dp 2310 dp 3010 dp 2330 dp 3030 service manual - May 13 2023

web view and download panasonic dp 2310 instruction manual online welcome to manualmachine you have been successfully registered we have sent a verification link to to complete your registration if you can t find the email check your junk spam folder ok dp 1515p 3 dp 1520

good apple ga 1687 answers reproducible 61 pdf 2023 - Feb 15 2022

web good apple ga 1687 answers reproducible 61 1 good apple ga 1687 answers reproducible 61 right here we have countless books good apple ga 1687 answers

good apple ga 1687 answer key form signnow - Oct 06 2023

web good apple ga 1687 answer key math check out how easy it is to complete and esign documents online using fillable

templates and a powerful editor get everything done in

[good apple ga 1687 answer key math fill online](#) - Jun 02 2023

web jul 8 2023 apple ga 1687 answers reproducible 69 that categorized in good apple ga 1687 answers reproducible 69

good apple ga 1687 answers reproducible 61

[good apple ga 1687 form fill out and sign printable pdf](#) - Mar 19 2022

web nov 11 2019 there are many more good eggs than bad apples in this case a soccer parent from my own club wrote me with the following a few weeks ago our 5 year old

good apple ga1687 colossal creature key book demo2 41nbc - Jul 23 2022

web complete good apple ga 1687 answer key online with us legal forms easily fill out pdf blank edit and sign them save or instantly send your ready documents

[good apple ga 1687 answer key form signnow](#) - Jul 03 2023

web good apple ga 1687 answers reproducible 61 pdf right here we have countless book good apple ga 1687 answers reproducible 61 pdf and collections to check out we

ga 1687 form formspal - Jun 21 2022

web apple ga 1687 answers reproducible 61 pdf a interesting work of fictional elegance that pulses with natural thoughts lies an unforgettable trip waiting to be embarked upon

[good apple ga 1687 answers reproducible 61 pdf](#) - Aug 24 2022

web 1 1 easily as there is always a market for apple stock apple is also a very good long term over the past three years apple s stock price has doubled last apple when i saw an

good apple ga 1687 answers reproducible 61 - Aug 04 2023

web march 26th 2018 good apple ga 1687 answers reproducible 61 pdf read online now good apple ga 1687 answers reproducible 61 ebook pdf at our library get good apple

good apple ga 1687 answers reproducible 61 copy - Nov 26 2022

web mar 14 2023 good apple ga 1687 answers reproducible 61 pdf right here we have countless ebook good apple ga 1687 answers reproducible 61 pdf and collections

[good apple ga 1687 answers reproducible 61](#) - Mar 31 2023

web complete good apple ga 1687 answer key online with us legal forms easily fill out pdf blank edit and sign them save or instantly send your ready documents

[good apple ga 1687 answers reproducible 61 pdf pdf](#) - Sep 05 2023

web good apple ga 1687 answers reproducible 61 pdf pdf pod kylemcdonald net created date 10 3 2023 6 56 07 am

[get good apple ga 1687 answer key us legal forms](#) - May 21 2022

web good apple ga 1687 answers check out how easy it is to complete and esign documents online using fillable templates and a powerful editor get everything done in minutes

student worksheet apple genetics agclassroom org - Oct 26 2022

web 2 good apple ga 1687 answers reproducible 61 2022 05 03 impressive achievement david c lindberg science it s hard to believe that there could be a

good apple ga 1687 answers reproducible 61 pdf download - Sep 24 2022

web webgood apple ga 1687 reproducible 90 good apple ga 1687 reproducible 90 good apple ga 1687 answers reproducible 61 ebezet de good apple ga 1687 answers

[good eggs and bad apples the soccer sidelines](#) - Jan 17 2022

web good apple ga 1687 answers hokage iaida ac id good apple ga 1687 answer key good apple ga 1687 answer key modularscale com good apple ga 1687 answers

good apple ga 1687 answers reproducible 61 pdf copy - Apr 19 2022

web getting the books good apple ga 1687 answers reproducible 61 pdf now is not type of challenging means you could not solitary going as soon as books deposit or library or

[get good apple ga 1687 answer key us legal forms](#) - Jan 29 2023

web this good apple ga 1687 answers reproducible 61 as one of the most dynamic sellers here will totally be along with the best options to review good apple ga 1687

[good apple ga 1687 answers reproducible 61 download only](#) - Feb 27 2023

web mar 10 2023 download and install the good apple ga 1687 answers reproducible 61 pdf it is no question simple then since currently we extend the associate to buy and

[ebook good apple ga 1687 answers reproducible 61 pdf](#) - Dec 28 2022

web dec 14 2018 blossoms on a royal gala apple tree with pollen from a braeburn apple tree the resulting fruit would look smell taste and feel like a royal gala apple but the seeds

good apple ga 1687 answers controlplane themintgaming - Nov 14 2021

[good apple ga 1687 answers reproducible 61 westernu edu](#) - Dec 16 2021

[good apple ga 1687 answers reproducible 61 pdf pdf](#) - May 01 2023

web good apple ga 1687 answers reproducible 61 good apple ga 1687 answers good apple ga 1687 answer key good apple ga

1687 answer key good apple ga 1687

[pistol semi automatic rifle license application](#) - Dec 26 2021

web step 1 obtain and prepare application prior to completing any of the enclosed forms take the time to review these instructions to assure that the enclosed forms will be properly

[pistol permit recertification gun safety](#) - Apr 10 2023

web file an amendment with your county licensing authority amendments have no impact on recertification when pistol revolver license holders recertify are they issued a new

how can i apply for a nh resident pistol revolver license - Feb 25 2022

web rsa 159 6 authorizes which chief of cops of the derry police department to issue a resident of the town of derry upon application a allows to carry a pistol or revolver

pistol licensing police department city of new york handgun - Mar 29 2022

web the westchester country clerk maintains the county s pistol license records to they will processed in a judge and the department of people safety pistol licensing police

[printable forms nassau county police ny](#) - Jun 12 2023

web guide for pistol license applicants and current pistol license holders in nassau county 44 general renewal instructions instructions for renewing your pistol license 2

renewing a license nassau county ny official website - Mar 09 2023

web licensing registrations renewing a license to renew your license you must submit a valid certificate of business liability insurance with your completed and proper payment

apply for a firearms license the official website of new york - Dec 06 2022

web to complete the state of new york pistol revolver license application ppb3 you will need to provide personal information such as your full name date of birth social

[pistol licenses nassau county police ny](#) - Jul 13 2023

web to renew your pistol license online to renew your nassau county police department pistol license online you will need the pistol license renewal letter that you

[get the free nassau county pistol license renewal form pdffiller](#) - Oct 04 2022

web filling out a nassau county pistol license involves several steps here is a general guide to help you through the process 1 obtain the application form contact the nassau

[frequently asked questions new concealed carry law gun](#) - Sep 03 2022

web you can apply for a firearm license to your county local licensing officer at any time please visit state police s firearms

webpage for more information on how to apply for a

[nassau county pistol license renewal application 2023](#) - May 31 2022

web nassau county pistol license renewal application your guide to federal firearms regulation 1988 89 jan 09 2021 federal firearms regulations may 01 2020 includes

suffolk county pistol permit denied fitikistanbul com tr - Jan 27 2022

web university of kansas baseball tournament suffolk county pistol permit denied 10 mart 2023

renew your nc nassau county pistol license online - Jan 07 2023

web nov 11 2015 when you are ready to begin the renewal process click on the pistol license renewal link below if you have any questions or problems please contact the

renew a firearms license mass gov renew or update your - Apr 29 2022

web a firearms license your need to possess or convey firearms on massachusetts renew a firearms license mass gov renew or update your license concealed pistol license

[nassau county ny pistol license information ocshooters com](#) - Jul 01 2022

web what that means your license will be issued by the nassau county police department vs the county clerk in most of the rest of the state your license will only be good for 5

pistol licenses nassau county police ny - Aug 14 2023

web pistol licenses if you are currently the holder of an active pistol license and are seeking an upgrade to concealed carry you must respond to the pistol license section in

nassau county consumer affairs license - Feb 08 2023

web renewal form must be completed by an owner or corporation principal failure to complete the required information or the giving of false information in the application

renew your pistol license at pdcn nassau county police - May 11 2023

web a online go to pdcn org and select pistol license renewal and follow instructions you will need the following a mastercard visa or discover credit card b

nassau county pistol license application pdf fill out sign online - Nov 05 2022

web 01 edit your nassau county pistol permit application online type text add images blackout confidential details add comments highlights and more 02 sign it in a few

[applications licenses forms and permits nassau county ny](#) - Aug 02 2022

web the nassau county fire marshal can be reached at 516 572 1000 obtaining a home improvement license camping battlerow campground application driver license

