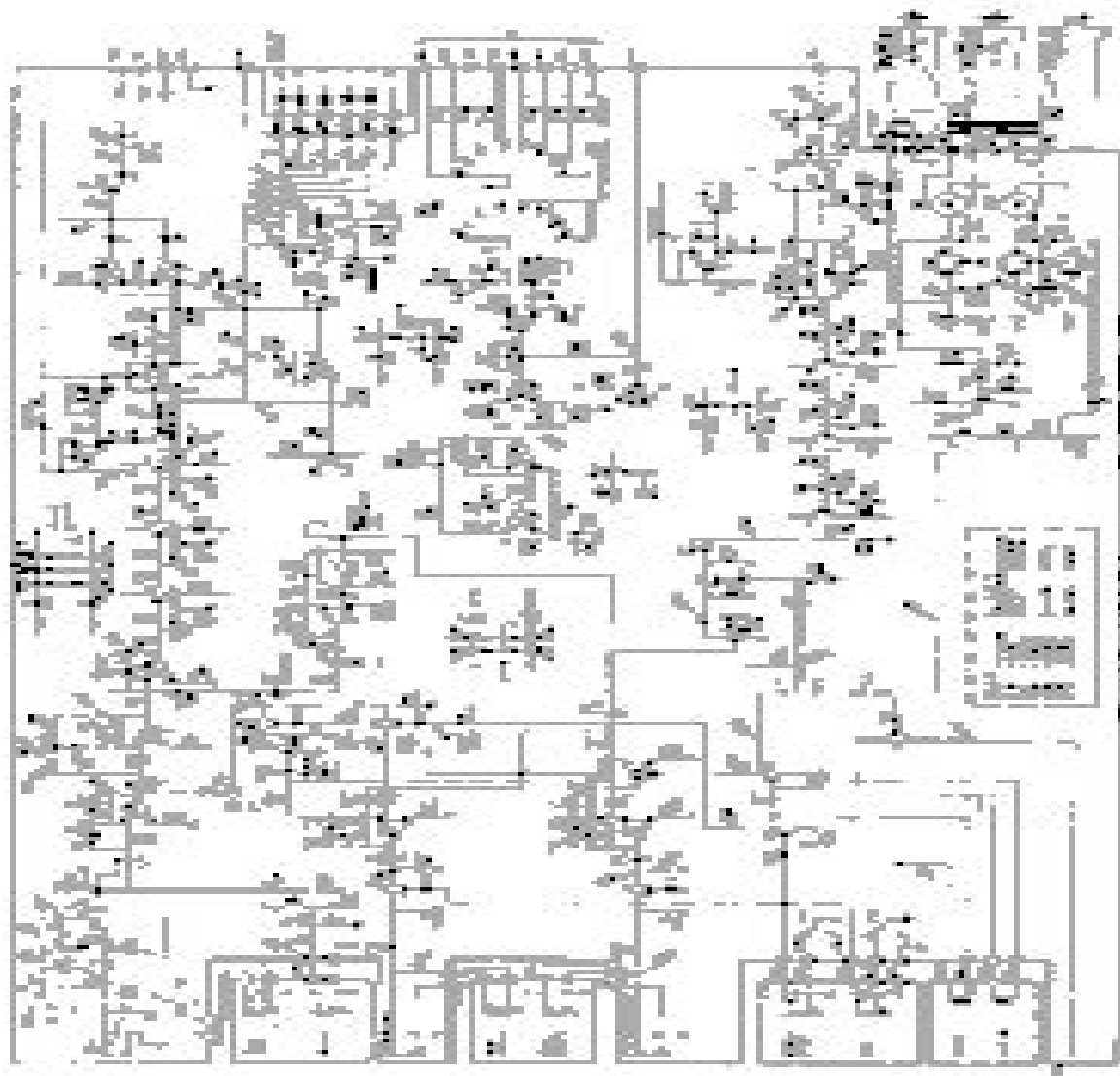


◆ INCREMENTAL DEVELOPMENT - II



# Ibanez Dm 10owners Manual

**R Bogdan**



## **Ibanez Dm 10owners Manual:**

This Enthralling Realm of Kindle Books: A Comprehensive Guide Unveiling the Advantages of Kindle Books: A World of Convenience and Flexibility E-book books, with their inherent portability and simplicity of availability, have freed readers from the limitations of physical books. Gone are the days of lugging cumbersome novels or carefully searching for particular titles in bookstores. E-book devices, sleek and lightweight, seamlessly store an wide library of books, allowing readers to immerse in their preferred reads whenever, everywhere. Whether commuting on a busy train, relaxing on a sun-kissed beach, or simply cozying up in bed, Kindle books provide an unparalleled level of convenience. A Literary World Unfolded: Exploring the Vast Array of Kindle Ibanez Dm 10owners Manual Ibanez Dm 10owners Manual The E-book Store, a virtual treasure trove of literary gems, boasts an extensive collection of books spanning varied genres, catering to every readers preference and choice. From captivating fiction and thought-provoking non-fiction to timeless classics and modern bestsellers, the Kindle Store offers an exceptional variety of titles to explore. Whether seeking escape through engrossing tales of fantasy and adventure, diving into the depths of past narratives, or broadening ones understanding with insightful works of scientific and philosophy, the Kindle Store provides a doorway to a literary universe brimming with limitless possibilities. A Game-changing Factor in the Bookish Scene: The Persistent Influence of Kindle Books Ibanez Dm 10owners Manual The advent of Kindle books has unquestionably reshaped the bookish landscape, introducing a paradigm shift in the way books are published, distributed, and read. Traditional publication houses have embraced the digital revolution, adapting their approaches to accommodate the growing demand for e-books. This has led to a rise in the accessibility of Kindle titles, ensuring that readers have entry to a vast array of literary works at their fingers. Moreover, Kindle books have democratized entry to literature, breaking down geographical limits and offering readers worldwide with similar opportunities to engage with the written word. Regardless of their location or socioeconomic background, individuals can now immerse themselves in the intriguing world of literature, fostering a global community of readers. Conclusion: Embracing the Kindle Experience Ibanez Dm 10owners Manual Kindle books Ibanez Dm 10owners Manual, with their inherent convenience, versatility, and wide array of titles, have certainly transformed the way we experience literature. They offer readers the liberty to discover the limitless realm of written expression, anytime, everywhere. As we continue to navigate the ever-evolving online scene, Kindle books stand as testament to the enduring power of storytelling, ensuring that the joy of reading remains accessible to all.

<https://staging.conocer.cide.edu/book/browse/fetch.php/Ka%20Stroud%20Engineering%20Mathematics%205th%20Edition.pdf>

## **Table of Contents Ibanez Dm 10owners Manual**

1. Understanding the eBook Ibanez Dm 10owners Manual
  - The Rise of Digital Reading Ibanez Dm 10owners Manual
  - Advantages of eBooks Over Traditional Books
2. Identifying Ibanez Dm 10owners Manual
  - Exploring Different Genres
  - Considering Fiction vs. Non-Fiction
  - Determining Your Reading Goals
3. Choosing the Right eBook Platform
  - Popular eBook Platforms
  - Features to Look for in an Ibanez Dm 10owners Manual
  - User-Friendly Interface
4. Exploring eBook Recommendations from Ibanez Dm 10owners Manual
  - Personalized Recommendations
  - Ibanez Dm 10owners Manual User Reviews and Ratings
  - Ibanez Dm 10owners Manual and Bestseller Lists
5. Accessing Ibanez Dm 10owners Manual Free and Paid eBooks
  - Ibanez Dm 10owners Manual Public Domain eBooks
  - Ibanez Dm 10owners Manual eBook Subscription Services
  - Ibanez Dm 10owners Manual Budget-Friendly Options
6. Navigating Ibanez Dm 10owners Manual eBook Formats
  - ePub, PDF, MOBI, and More
  - Ibanez Dm 10owners Manual Compatibility with Devices
  - Ibanez Dm 10owners Manual Enhanced eBook Features
7. Enhancing Your Reading Experience
  - Adjustable Fonts and Text Sizes of Ibanez Dm 10owners Manual
  - Highlighting and Note-Taking Ibanez Dm 10owners Manual
  - Interactive Elements Ibanez Dm 10owners Manual

8. Staying Engaged with Ibanez Dm 10owners Manual
  - Joining Online Reading Communities
  - Participating in Virtual Book Clubs
  - Following Authors and Publishers Ibanez Dm 10owners Manual
9. Balancing eBooks and Physical Books Ibanez Dm 10owners Manual
  - Benefits of a Digital Library
  - Creating a Diverse Reading Collection Ibanez Dm 10owners Manual
10. Overcoming Reading Challenges
  - Dealing with Digital Eye Strain
  - Minimizing Distractions
  - Managing Screen Time
11. Cultivating a Reading Routine Ibanez Dm 10owners Manual
  - Setting Reading Goals Ibanez Dm 10owners Manual
  - Carving Out Dedicated Reading Time
12. Sourcing Reliable Information of Ibanez Dm 10owners Manual
  - Fact-Checking eBook Content of Ibanez Dm 10owners Manual
  - Distinguishing Credible Sources
13. Promoting Lifelong Learning
  - Utilizing eBooks for Skill Development
  - Exploring Educational eBooks
14. Embracing eBook Trends
  - Integration of Multimedia Elements
  - Interactive and Gamified eBooks

### **Ibanez Dm 10owners Manual Introduction**

Free PDF Books and Manuals for Download: Unlocking Knowledge at Your Fingertips In todays fast-paced digital age, obtaining valuable knowledge has become easier than ever. Thanks to the internet, a vast array of books and manuals are now available for free download in PDF format. Whether you are a student, professional, or simply an avid reader, this treasure trove of downloadable resources offers a wealth of information, conveniently accessible anytime, anywhere. The advent of online libraries and platforms dedicated to sharing knowledge has revolutionized the way we consume information.

No longer confined to physical libraries or bookstores, readers can now access an extensive collection of digital books and manuals with just a few clicks. These resources, available in PDF, Microsoft Word, and PowerPoint formats, cater to a wide range of interests, including literature, technology, science, history, and much more. One notable platform where you can explore and download free Ibanez Dm 10owners Manual PDF books and manuals is the internet's largest free library. Hosted online, this catalog compiles a vast assortment of documents, making it a veritable goldmine of knowledge. With its easy-to-use website interface and customizable PDF generator, this platform offers a user-friendly experience, allowing individuals to effortlessly navigate and access the information they seek. The availability of free PDF books and manuals on this platform demonstrates its commitment to democratizing education and empowering individuals with the tools needed to succeed in their chosen fields. It allows anyone, regardless of their background or financial limitations, to expand their horizons and gain insights from experts in various disciplines. One of the most significant advantages of downloading PDF books and manuals lies in their portability. Unlike physical copies, digital books can be stored and carried on a single device, such as a tablet or smartphone, saving valuable space and weight. This convenience makes it possible for readers to have their entire library at their fingertips, whether they are commuting, traveling, or simply enjoying a lazy afternoon at home. Additionally, digital files are easily searchable, enabling readers to locate specific information within seconds. With a few keystrokes, users can search for keywords, topics, or phrases, making research and finding relevant information a breeze. This efficiency saves time and effort, streamlining the learning process and allowing individuals to focus on extracting the information they need. Furthermore, the availability of free PDF books and manuals fosters a culture of continuous learning. By removing financial barriers, more people can access educational resources and pursue lifelong learning, contributing to personal growth and professional development. This democratization of knowledge promotes intellectual curiosity and empowers individuals to become lifelong learners, promoting progress and innovation in various fields. It is worth noting that while accessing free Ibanez Dm 10owners Manual PDF books and manuals is convenient and cost-effective, it is vital to respect copyright laws and intellectual property rights. Platforms offering free downloads often operate within legal boundaries, ensuring that the materials they provide are either in the public domain or authorized for distribution. By adhering to copyright laws, users can enjoy the benefits of free access to knowledge while supporting the authors and publishers who make these resources available. In conclusion, the availability of Ibanez Dm 10owners Manual free PDF books and manuals for download has revolutionized the way we access and consume knowledge. With just a few clicks, individuals can explore a vast collection of resources across different disciplines, all free of charge. This accessibility empowers individuals to become lifelong learners, contributing to personal growth, professional development, and the advancement of society as a whole. So why not unlock a world of knowledge today? Start exploring the vast sea of free PDF books and manuals waiting to be discovered right at your fingertips.

## FAQs About Ibanez Dm 10owners Manual Books

**What is a Ibanez Dm 10owners Manual PDF?** A PDF (Portable Document Format) is a file format developed by Adobe that preserves the layout and formatting of a document, regardless of the software, hardware, or operating system used to view or print it. **How do I create a Ibanez Dm 10owners Manual PDF?** There are several ways to create a PDF: Use software like Adobe Acrobat, Microsoft Word, or Google Docs, which often have built-in PDF creation tools. Print to PDF: Many applications and operating systems have a "Print to PDF" option that allows you to save a document as a PDF file instead of printing it on paper. Online converters: There are various online tools that can convert different file types to PDF. **How do I edit a Ibanez Dm 10owners Manual PDF?** Editing a PDF can be done with software like Adobe Acrobat, which allows direct editing of text, images, and other elements within the PDF. Some free tools, like PDFescape or Smallpdf, also offer basic editing capabilities. **How do I convert a Ibanez Dm 10owners Manual PDF to another file format?** There are multiple ways to convert a PDF to another format: Use online converters like Smallpdf, Zamzar, or Adobe Acrobats export feature to convert PDFs to formats like Word, Excel, JPEG, etc. Software like Adobe Acrobat, Microsoft Word, or other PDF editors may have options to export or save PDFs in different formats. **How do I password-protect a Ibanez Dm 10owners Manual PDF?** Most PDF editing software allows you to add password protection. In Adobe Acrobat, for instance, you can go to "File" -> "Properties" -> "Security" to set a password to restrict access or editing capabilities. Are there any free alternatives to Adobe Acrobat for working with PDFs? Yes, there are many free alternatives for working with PDFs, such as: LibreOffice: Offers PDF editing features. PDFsam: Allows splitting, merging, and editing PDFs. Foxit Reader: Provides basic PDF viewing and editing capabilities. How do I compress a PDF file? You can use online tools like Smallpdf, ILovePDF, or desktop software like Adobe Acrobat to compress PDF files without significant quality loss. Compression reduces the file size, making it easier to share and download. Can I fill out forms in a PDF file? Yes, most PDF viewers/editors like Adobe Acrobat, Preview (on Mac), or various online tools allow you to fill out forms in PDF files by selecting text fields and entering information. Are there any restrictions when working with PDFs? Some PDFs might have restrictions set by their creator, such as password protection, editing restrictions, or print restrictions. Breaking these restrictions might require specific software or tools, which may or may not be legal depending on the circumstances and local laws.

## Find Ibanez Dm 10owners Manual :

~~ka stroud engineering mathematics 5th edition~~

~~k53 learners test papers 2010~~

~~kamico instructional media assessment 11 answers~~



[kabianga-university-admission-letters](#)

[kawasaki-27-hp-liquid-cooled-manual](#)

[kane-chronicles-survivor-guide](#)

[kawasaki-22-hp-manual](#)

**kabianga-fee-structure-2015-16**

**jvc-tha9-manual**

**jvc-xv-thu1-manual**

[karcher-330-parts-manual](#)

[karnataka-puc-first-year-english-course-guide](#)

**kapit-anatomy-coloring-book**

[kamico-diagnostic-assessment-grade-3-answer](#)

[jvc-ux-g50-user-guide](#)

**Ibanez Dm 10owners Manual :**

**rethinking macroeconomic policy by olivier j blanchard** - May 04 2023

web rethinking macroeconomic policy 19 flip posted 20 feb 2010 see all articles by olivier bound blanchard olivier j

blanchard national company of economic

**pdf rethinking macroeconomic policy researchgate** - Nov 17 2021

web jun 1 2010 pdf the great moderation lulled macroeconomists and policymakers alike in the belief that we knew how to conduct macroeconomic policy the crisis find read

[rethinking macroeconomic policy blanchard 2010 wiley](#) - Sep 08 2023

web aug 18 2010 the crisis clearly forces us to question that assessment in this paper we review the main elements of the precrisis consensus identify where we were wrong and

[rethinking macroeconomic policy imf](#) - Jun 05 2023

web apr 29 2013 rethinking macroeconomic policy capital adequacy requirements rethinking macroeconomic policy olivier blanchard april 29 2013 versions in

**evolution or revolution by olivier blanchard open library** - May 24 2022

web aug 31 2020 rethinking macroeconomic policy after the great recession apr 16 2019 the mit press peterson institute for international economics hardcover

**rethinking macroeconomic policy event piie** - Feb 01 2023

web the peterson institute held a conference on rethinking macroeconomic policy coordinated by olivier blanchard piie c fred bergsten senior fellow and lawrence

[rethinking stabilization policy evolution or revolution by](#) - Jun 24 2022

web jan 3 2018 at a minimum they suggest that policies may need to become more aggressive both ex ante and ex post with a rebalancing of the roles of monetary fiscal

*rethinking macro policy ii first steps and early lessons* - Jul 26 2022

web rethinking macro policy ii first steps and early lessons olivier blanchard chief economist international monetary fund paper presented at the rethinking macro

**april 2013 rethinking macro policy ii sdn 13 03 getting** - Apr 03 2023

web 1 this paper was written as background for a conference on rethinking macroeconomic policy ii to take place at the international monetary fund april 16 17 2013 olivier

**rethinking macro policy ii getting granular google books** - Aug 27 2022

web apr 15 2013 it discusses developments in monetary policy including unconventional measures the challenges associated with increased public debt and the policy

[evolution or revolution rethinking macroeconomic policy after](#) - Jul 06 2023

web 9780262351270 publication date 2019 leading economists discuss post financial crisis policy dilemmas including the dangers of complacency in a period of relative stability

**rethinking macroeconomic policy by olivier blanchard mr jong** - Jan 20 2022

web inflation we discuss their implications on macroeconomic policies including monetary policy we also highlight the need to consider the interactions between population

**rethinking macroeconomic policy introduction cepr** - Oct 29 2022

web apr 20 2015 this year s imf conference rethinking macroeconomic policy iii gathered many of the world s greatest economists to reflect on the state of post global

*rethinking macroeconomic policy request pdf researchgate* - Mar 22 2022

web jan 1 2010 rethinking macroeconomic policy january 2010 authors olivier blanchard international monetary fund paolo mauro paolo mauro so from a

*introduction rethinking stabilization policy evolution or* - Feb 18 2022

web introduction rethinking stabilization policy evolution or revolution evolution or revolution rethinking macroeconomic policy after the great recession books

[econpapers rethinking macroeconomic policy](#) - Mar 02 2023

web rethinking macroeconomic policy olivier blanchard giovanni dell ariccia and paolo mauro no 2010 003 imf staff position notes from international monetary fund

**rethinking macroeconomic policy by olivier blanchard giovanni** - Oct 09 2023

web it proceeds in three steps the first reviews what we thought we knew the second identifies where we were wrong the third and the most tentative of the three takes a first pass at

**chapter 3 rethinking macroeconomic policy comments** - Nov 29 2022

web the paper by olivier blanchard giovanni dell ariccia and paolo mauro is an important contribution to the current debate on the causes of the failure of macroeconomics in

rethinking macroeconomic policy peterson institute for - Sep 27 2022

web on october 12 2017 at the conference rethinking macroeconomic policy organized by olivier blanchard and lawrence h summers and held october 12 13 at the peterson

**rethinking stabilization policy national bureau** - Apr 22 2022

web rethinking stabilization policy evolution or revolution olivier j blanchard and lawrence h summers nber working paper no 24179 december 2017 jel no

**rethinking macroeconomic policy by olivier j blanchard ssrn** - Dec 19 2021

web jul 26 2010 blanchard olivier j and blanchard olivier j and dell ariccia giovanni and mauro paolo rethinking macroeconomic policy june 1 2010 revista de

*rethinking macroeconomic policy by olivier j blanchard* - Aug 07 2023

web feb 20 2010 in this paper we review the main elements of the pre crisis framework still hold and take a tentative first pass at the contours of a new macroeconomic policy

**evolution or revolution rethinking macroeconomic policy after** - Dec 31 2022

web apr 23 2019 buy evolution or revolution rethinking macroeconomic policy after the great recession the mit press illustrated by olivier blanchard isbn

l arte di perdonare guida pratica per imparare a perdonare e - Aug 15 2023

web apr 12 2022 l ita old pallet ia ns 0000981 openlibrary edition ol37814495m openlibrary work ol27716500w page number confidence 91 53 pages 238 partner

*l arte di perdonare guida pratica per imparare a perdonare e* - Apr 11 2023

web emp ibs l arte di perdonare guida pratica per imparare a libri perdono catalogo libri perdono unilibro 7 consigli per imparare a perdonare corsi di crescita l arte di

*l arte di perdonare guida pratica per imparare a perdonare e* - Feb 09 2023

web l arte di perdonare guida pratica per imparare a perdonare e guarire psicologia e personalità monbourquette jean gabutti beppe amazon es libros

*l arte di perdonare guida pratica per imparare a perdonare e* - Jan 08 2023

web acquista online il libro l arte di perdonare guida pratica per imparare a perdonare e guarire di jean monbourquette in offerta a prezzi imbattibili su mondadori store

*l arte di perdonare guida pratica per imparare a perdonare e* - Apr 30 2022

web l arte di perdonare guida pratica per imparare a perdonare e guarire jean monbourquette 1994 come affrontare il dolore luciano sandrin 1995 3 il cammino del

*l arte di perdonare guida pratica per imparare a perdonare e* - Sep 04 2022

web l arte di perdonare guida pratica per imparare a perdonare e guarire monbourquette jean gabutti beppe amazon com au books

l arte di perdonare guida pratica per imparare a perdonare e - Jun 13 2023

web l arte di perdonare guida pratica per imparare a perdonare e guarire è un libro di jean monbourquette pubblicato da paoline editoriale libri nella collana psicologia e

**l arte di perdonare guida pratica per imparare a 2023** - Feb 26 2022

web l arte di perdonare guida pratica per imparare a perdonare e guarire jean monbourquette 1994 una vita a tutto tondo come costruire il proprio percorso valerio

l arte di perdonare guida pratica per imparare a perdonare e - May 12 2023

web scopo di questo lavoro è di proporre una guida pratica per imparare a perdonare seguendo un percorso che si articola in dodici tappe come afferma il monbourquette il

**l arte di perdonare guida pratica per imparare a perdonare e** - Dec 27 2021

web l arte di perdonare guida pratica per imparare a perdonare e guarire perdonare non è facile non basta volerlo perdonare è un arte e e tale richiede metodo e applicazione il

*l arte di perdonare guida pratica per imparare a perdonare e* - Aug 03 2022

web l arte di perdonare guida pratica per imparare a perdonare e guarire on amazon com free shipping on qualifying offers guida pratica per imparare a perdonare e guarire

**l arte di perdonare guida pratica per imparare a perdonare e** - Jul 14 2023

web perdonare è un arte e come tale richiede metodo e applicazione il segreto di quest arte sta nel comprendere che non si può ridurre il perdono a un atto di volontà o a un dovere

**l arte di perdonare guida pratica per imparare a perdonare e** - Jun 01 2022

web per imparare a l arte di perdonare guida pratica per imparare a l arte di perdonare guida pratica per imparare a l arte di perdonare anselm grün libro emp ibs 7 consigli

**l arte di perdonare guida pratica per imparare a perdonare e** - Jan 28 2022

web keep calm l arte di prendersi cura di sé tu sei luce l arte di perdonare guida pratica per imparare a l arte di perdonare anselm grün libro emp ibs l angolo del personal

*l arte di perdonare guida pratica per imparare a perdonare e* - Nov 06 2022

web l arte di perdonare guida pratica per imparare a perdonare e guarire jean monbourquette 9788831508933 books amazon ca

l arte di perdonare guida pratica per imparare a perdonare e - Mar 10 2023

web l arte di perdonare guida pratica per imparare a perdonare e guarire by jean monbourquette may 9th 2020 l arte di perdonare guida pratica per imparare a

**l arte di perdonare guida pratica per imparare a perdonare e** - Oct 25 2021

web spiegare per dimostrare l arte di perdonare guida pratica per imparare a perdonare e guarire è un libro di monbourquette jean edito da paoline editoriale libri a maggio 2014

**l arte di perdonare guida pratica per imparare a 2023** - Jul 02 2022

web le ragioni del cuore l intelligenza emotiva e le sue potenzialità joaquín campos herrero 2004 l arte di perdonare guida pratica per imparare a perdonare e guarire jean

l arte di perdonare guida pratica per imparare a perdonare e - Nov 25 2021

web may 26th 2020 l arte di perdonare guida pratica per imparare a perdonare e guarire è un libro di jean monbourquette pubblicato da paoline editoriale libri nella collana

*l arte di perdonare guida pratica per imparare a perdonare e* - Oct 05 2022

web l arte di perdonare guida pratica per imparare a perdonare e guarire è un libro scritto da jean monbourquette pubblicato da paoline editoriale libri nella collana psicologia e

l arte di perdonare guida pratica per imparare a perdonare e - Dec 07 2022

web may 22nd 2020 l arte di perdonare guida pratica per imparare a perdonare e guarire di jean monbourquette acquista a prezzo scontato l arte di perdonare guida pratica

l arte di perdonare guida pratica per imparare a perdonare e - Mar 30 2022

web file name l arte di perdonare guida pratica per imparare a perdonare e guarire pdf size 6186 kb type pdf epub ebook category book uploaded 2023 jul 15 08 04

**sometimes i m shy a child s guide to overcoming social anxiety** - Mar 21 2022

web jun 7 2022 this practical guide combines proven cognitive behavioral therapy methods used by child psychologists in schools with simple activities to help your child overcome shyness it s perfect

**sometimes i m anxious a child s guide to overcoming anxiety** - Apr 02 2023

web nov 5 2019 this practical guide combines proven cognitive behavioral therapy methods used by child psychologists in schools with simple activities to help your child overcome anxiety it s perfect for children ages 8 to 12 because a lot happens in these years that can impact a child s emotional well being not just now but for years to come

**sometimes i m anxious a child s guide to overcoming anxiety** - Jan 31 2023

web description does your child seem to worry often perhaps they have frequent stomach aches or are irritable tearful angry or withdrawn do they have problems concentrating or show a loss of enthusiasm for their usual interests these could all be signs that your child is struggling with anxiety

*sometimes i m anxious a child s guide to overcoming anxiety* - Mar 01 2023

web these are signs your child is struggling with anxiety this practical guide combines proven cognitive behavioral therapy methods used by child psychologists in schools with simple activities to help your child overcome anxiety it s perfect for children ages 8 to 12 because a lot happens in these years that can impact a child s emotional

**sometimes i m anxious a child s guide to overcomi full pdf** - Oct 28 2022

web this interactive guide will help you overcome your anxiety or panic and free you to enjoy activities you have been avoiding let dr mcMahon guide you through a process of understanding your

**sometimes i m anxious a child s guide to overcoming an** - Sep 07 2023

web this practical guide combines proven cognitive behavioral therapy methods used by child psychologists in schools with simple activities to help your child overcome anxiety it s perfect for children ages 8 to 12 because a lot happens in these years that can impact a child s emotional well being not just now but for years to come

*sometimes i m anxious skyhorse publishing* - May 03 2023

web nov 5 2019 sometimes i m anxious a child s guide to overcoming anxiety poppy o neill amanda ashman wymbys 144 pages november 5 2019 isbn 9781510747487 series child s guide to social and emotional learning imprint sky pony press trim size 6 25in x 8in x 0in

*sometimes i m anxious a child s guide to overcoming anxiety 1 child* - Dec 30 2022

web abebooks com sometimes i m anxious a child s guide to overcoming anxiety 1 child s guide to social and emotional learning 9781510747487 by o neill poppy and a great selection of similar new used and collectible books available now at great prices

**sometimes i m anxious a child s guide to overcomi** - Jul 25 2022

web your child from anxiety a childhood anxiety disorder specialist examines all manifestations of childhood fears including social anxiety tourette s syndrome hair pulling and obsessive compulsive disorder and guides you through a proven program to help your child back to emotional safety

*sometimes i m anxious a child s guide to overcoming anxiety 1 child* - Oct 08 2023

web nov 5 2019 *sometimes i m anxious a child s guide to overcoming anxiety 1 child s guide to social and emotional learning* o neill poppy ashman wymb s amanda on amazon com free shipping on qualifying offers

*sometimes i m anxious a child s guide to overcoming* - Aug 06 2023

web nov 5 2019 these are signs your child is struggling with anxiety this practical guide combines proven cognitive behavioral therapy methods used by child psychologists in schools with simple activities to help your child overcome anxiety it s perfect for children ages 8 to 12 because a lot happens in these years that can impact a child s emotional

**sometimes i m anxious a child s guide to overcoming** - Nov 28 2022

web these are signs your child is struggling with anxiety this practical guide combines proven cognitive behavioral therapy methods used by child psychologists in schools with simple activities to help your child overcome anxiety it s perfect for children ages 8 to 12 because a lot happens in these years that can impact a child s emotional well

**sometimes i m anxious a child s guide to overcoming anxiety** - Jun 04 2023

web these are signs your child is struggling with anxiety this practical guide combines proven cognitive behavioral therapy methods used by child psychologists in schools with simple activities

*sometimes i m anxious a child s guide to overcoming anxiety child s* - Jul 05 2023

web this practical guide combines proven cognitive behavioral therapy methods used by child psychologists in schools with simple activities to help your child overcome anxiety it s perfect for children ages 8 to 12 because a lot happens in these years that can impact a child s emotional well being not just now but for years to come

*sometimes i m anxious a child s guide to overcomi karen* - May 23 2022

web helping your child overcome separation anxiety or school refusal andrew r eisen 2006 provides a guide on how to identify when your child s separation anxiety or school refusal is more than just a phase and offers effective tools to manage your child s anxiety how to tame my anxiety monster melanie hawkins 2020 05 22

*what to do when you worry too much a kid s guide to overcoming anxiety* - Aug 26 2022

web sep 15 2005 *what to do when you worry too much a kid s guide to overcoming anxiety what to do guides for kids series* dawn huebner bonnie matthews on amazon com free shipping on qualifying offers *what to do when you worry too much a kid s guide to overcoming anxiety what to do guides for kids series*

*sometimes i m anxious a child s guide to overcoming anxiety child s* - Sep 26 2022

web this practical guide combines proven cognitive behavioral therapy methods used by child psychologists in schools with simple activities to help your child overcome anxiety it s perfect for children ages 8 to 12 because a lot happens in these years that can impact a child s emotional well being not just now but for years to come

[sometimes i m anxious a child s guide to overcoming anxiety thriftbooks](#) - Apr 21 2022

web buy a cheap copy of sometimes i m anxious a child s guide book by poppy o neill a child s guide to overcoming anxiety by poppy o neill rated 0 00 stars no customer reviews proven cognitive behavioral therapy methods used by child psychologists in schools with simple activities to help your child overcome read full overview

[sometimes i m anxious a child s guide to overcoming anxiety](#) - Jun 23 2022

web main menu home about us menu toggle our mission what is somatics contributing doctors professionals

*sometimes i m anxious 1 a child s guide to overcoming anxiety* - Feb 17 2022

web buy sometimes i m anxious a child s guide to overcoming anxiety volume 1 paperback book by poppy oneill from as low as 10 05