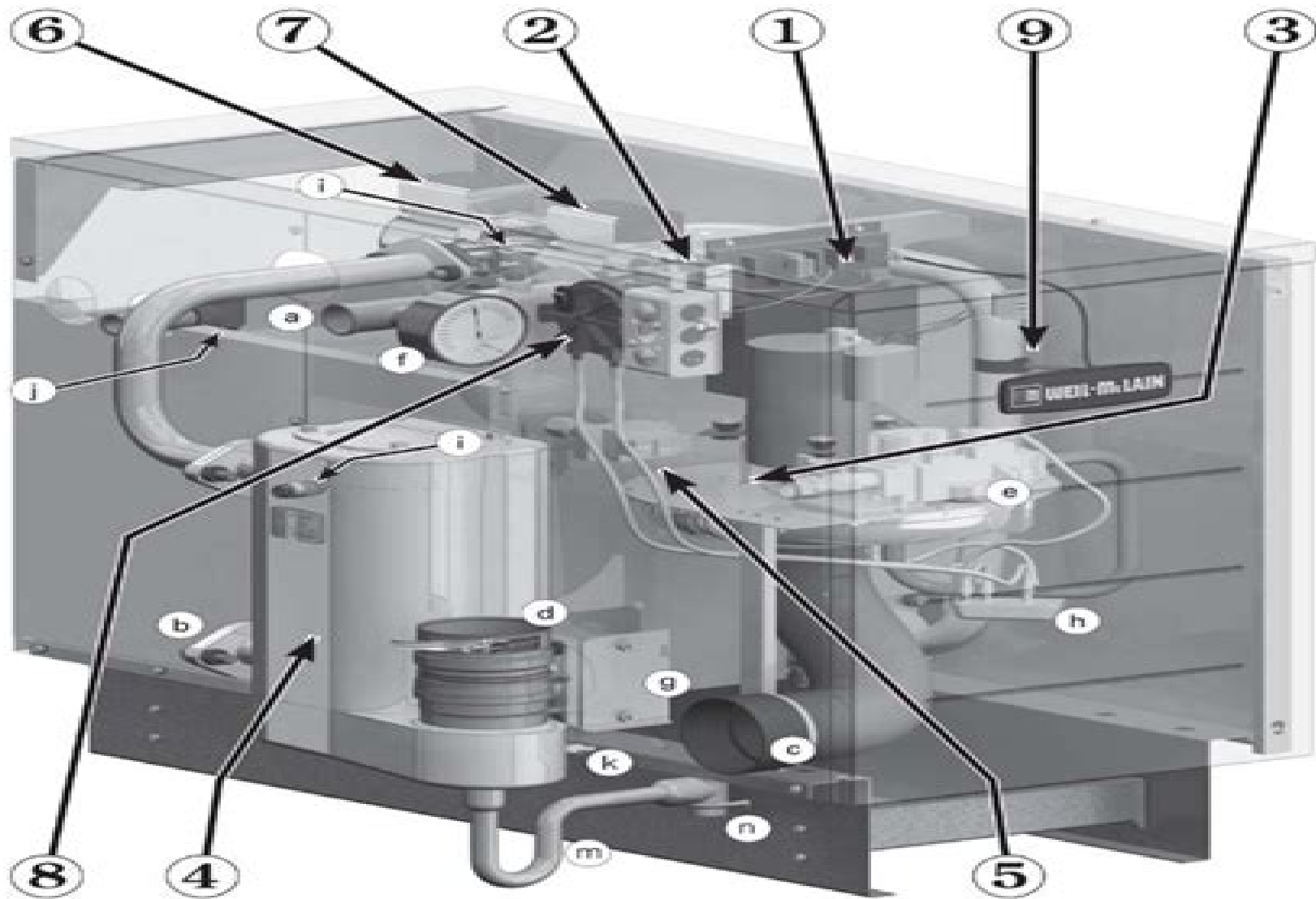




GV90+ Water Boiler



Ge Boiler User Manual

JS Bruner



Ge Boiler User Manual:

As recognized, adventure as competently as experience about lesson, amusement, as capably as contract can be gotten by just checking out a books **Ge Boiler User Manual** in addition to it is not directly done, you could take even more a propos this life, something like the world.

We allow you this proper as skillfully as easy pretension to acquire those all. We give Ge Boiler User Manual and numerous book collections from fictions to scientific research in any way. among them is this Ge Boiler User Manual that can be your partner.

https://staging.conocer.cide.edu/files/detail/index.jsp/history_of_the_national_association_of_teachers_of_singing.pdf

Table of Contents Ge Boiler User Manual

1. Understanding the eBook Ge Boiler User Manual
 - The Rise of Digital Reading Ge Boiler User Manual
 - Advantages of eBooks Over Traditional Books
2. Identifying Ge Boiler User Manual
 - Exploring Different Genres
 - Considering Fiction vs. Non-Fiction
 - Determining Your Reading Goals
3. Choosing the Right eBook Platform
 - Popular eBook Platforms
 - Features to Look for in an Ge Boiler User Manual
 - User-Friendly Interface
4. Exploring eBook Recommendations from Ge Boiler User Manual
 - Personalized Recommendations
 - Ge Boiler User Manual User Reviews and Ratings
 - Ge Boiler User Manual and Bestseller Lists
5. Accessing Ge Boiler User Manual Free and Paid eBooks

- Ge Boiler User Manual Public Domain eBooks
 - Ge Boiler User Manual eBook Subscription Services
 - Ge Boiler User Manual Budget-Friendly Options
6. Navigating Ge Boiler User Manual eBook Formats
- ePub, PDF, MOBI, and More
 - Ge Boiler User Manual Compatibility with Devices
 - Ge Boiler User Manual Enhanced eBook Features
7. Enhancing Your Reading Experience
- Adjustable Fonts and Text Sizes of Ge Boiler User Manual
 - Highlighting and Note-Taking Ge Boiler User Manual
 - Interactive Elements Ge Boiler User Manual
8. Staying Engaged with Ge Boiler User Manual
- Joining Online Reading Communities
 - Participating in Virtual Book Clubs
 - Following Authors and Publishers Ge Boiler User Manual
9. Balancing eBooks and Physical Books Ge Boiler User Manual
- Benefits of a Digital Library
 - Creating a Diverse Reading Collection Ge Boiler User Manual
10. Overcoming Reading Challenges
- Dealing with Digital Eye Strain
 - Minimizing Distractions
 - Managing Screen Time
11. Cultivating a Reading Routine Ge Boiler User Manual
- Setting Reading Goals Ge Boiler User Manual
 - Carving Out Dedicated Reading Time
12. Sourcing Reliable Information of Ge Boiler User Manual
- Fact-Checking eBook Content of Ge Boiler User Manual
 - Distinguishing Credible Sources
13. Promoting Lifelong Learning
- Utilizing eBooks for Skill Development

- Exploring Educational eBooks
14. Embracing eBook Trends
- Integration of Multimedia Elements
 - Interactive and Gamified eBooks

Ge Boiler User Manual Introduction

In today's digital age, the availability of Ge Boiler User Manual books and manuals for download has revolutionized the way we access information. Gone are the days of physically flipping through pages and carrying heavy textbooks or manuals. With just a few clicks, we can now access a wealth of knowledge from the comfort of our own homes or on the go. This article will explore the advantages of Ge Boiler User Manual books and manuals for download, along with some popular platforms that offer these resources. One of the significant advantages of Ge Boiler User Manual books and manuals for download is the cost-saving aspect. Traditional books and manuals can be costly, especially if you need to purchase several of them for educational or professional purposes. By accessing Ge Boiler User Manual versions, you eliminate the need to spend money on physical copies. This not only saves you money but also reduces the environmental impact associated with book production and transportation. Furthermore, Ge Boiler User Manual books and manuals for download are incredibly convenient. With just a computer or smartphone and an internet connection, you can access a vast library of resources on any subject imaginable. Whether you're a student looking for textbooks, a professional seeking industry-specific manuals, or someone interested in self-improvement, these digital resources provide an efficient and accessible means of acquiring knowledge. Moreover, PDF books and manuals offer a range of benefits compared to other digital formats. PDF files are designed to retain their formatting regardless of the device used to open them. This ensures that the content appears exactly as intended by the author, with no loss of formatting or missing graphics. Additionally, PDF files can be easily annotated, bookmarked, and searched for specific terms, making them highly practical for studying or referencing. When it comes to accessing Ge Boiler User Manual books and manuals, several platforms offer an extensive collection of resources. One such platform is Project Gutenberg, a nonprofit organization that provides over 60,000 free eBooks. These books are primarily in the public domain, meaning they can be freely distributed and downloaded. Project Gutenberg offers a wide range of classic literature, making it an excellent resource for literature enthusiasts. Another popular platform for Ge Boiler User Manual books and manuals is Open Library. Open Library is an initiative of the Internet Archive, a non-profit organization dedicated to digitizing cultural artifacts and making them accessible to the public. Open Library hosts millions of books, including both public domain works and contemporary titles. It also allows users to borrow digital copies of certain books for a limited period, similar to a library lending system. Additionally, many universities and educational institutions have their own digital

libraries that provide free access to PDF books and manuals. These libraries often offer academic texts, research papers, and technical manuals, making them invaluable resources for students and researchers. Some notable examples include MIT OpenCourseWare, which offers free access to course materials from the Massachusetts Institute of Technology, and the Digital Public Library of America, which provides a vast collection of digitized books and historical documents. In conclusion, Ge Boiler User Manual books and manuals for download have transformed the way we access information. They provide a cost-effective and convenient means of acquiring knowledge, offering the ability to access a vast library of resources at our fingertips. With platforms like Project Gutenberg, Open Library, and various digital libraries offered by educational institutions, we have access to an ever-expanding collection of books and manuals. Whether for educational, professional, or personal purposes, these digital resources serve as valuable tools for continuous learning and self-improvement. So why not take advantage of the vast world of Ge Boiler User Manual books and manuals for download and embark on your journey of knowledge?

FAQs About Ge Boiler User Manual Books

What is a Ge Boiler User Manual PDF? A PDF (Portable Document Format) is a file format developed by Adobe that preserves the layout and formatting of a document, regardless of the software, hardware, or operating system used to view or print it. **How do I create a Ge Boiler User Manual PDF?** There are several ways to create a PDF: Use software like Adobe Acrobat, Microsoft Word, or Google Docs, which often have built-in PDF creation tools. Print to PDF: Many applications and operating systems have a "Print to PDF" option that allows you to save a document as a PDF file instead of printing it on paper. Online converters: There are various online tools that can convert different file types to PDF. **How do I edit a Ge Boiler User Manual PDF?** Editing a PDF can be done with software like Adobe Acrobat, which allows direct editing of text, images, and other elements within the PDF. Some free tools, like PDFescape or Smallpdf, also offer basic editing capabilities. **How do I convert a Ge Boiler User Manual PDF to another file format?** There are multiple ways to convert a PDF to another format: Use online converters like Smallpdf, Zamzar, or Adobe Acrobats export feature to convert PDFs to formats like Word, Excel, JPEG, etc. Software like Adobe Acrobat, Microsoft Word, or other PDF editors may have options to export or save PDFs in different formats. **How do I password-protect a Ge Boiler User Manual PDF?** Most PDF editing software allows you to add password protection. In Adobe Acrobat, for instance, you can go to "File" -> "Properties" -> "Security" to set a password to restrict access or editing capabilities. Are there any free alternatives to Adobe Acrobat for working with PDFs? Yes, there are many free alternatives for working with PDFs, such as: LibreOffice: Offers PDF editing features. PDFsam: Allows splitting, merging, and editing PDFs. Foxit Reader: Provides basic PDF viewing and

editing capabilities. How do I compress a PDF file? You can use online tools like Smallpdf, ILovePDF, or desktop software like Adobe Acrobat to compress PDF files without significant quality loss. Compression reduces the file size, making it easier to share and download. Can I fill out forms in a PDF file? Yes, most PDF viewers/editors like Adobe Acrobat, Preview (on Mac), or various online tools allow you to fill out forms in PDF files by selecting text fields and entering information. Are there any restrictions when working with PDFs? Some PDFs might have restrictions set by their creator, such as password protection, editing restrictions, or print restrictions. Breaking these restrictions might require specific software or tools, which may or may not be legal depending on the circumstances and local laws.

Find Ge Boiler User Manual :

history of the national association of teachers of singing

~~history of the counties of ayr and wigton scotland volume i kyle parts 1 and 2.~~

~~history of the san francisco bay 3vol~~

history of newgate of connecticut mass violence in america

history of the pacific northwest with sp

hit or miss management

history of the dreb of the british sold

history of police in england criminology law enforcement and social problems ser. no. 119

hiv/aids education for adults new directions for adult and continuing education

history of the concept of time.

hitlers austria popular sentiment in the nazi era 1938-1945

history of the idea of europe

hitlers fortress islands germanys occupation of the channel islands

~~hitlers secret bankers how switzerland profited from nazi genocide~~

hitlers boy scouts dictator-fighters along the razors edge

Ge Boiler User Manual :

lámpara eléctrica wikipedia la enciclopedia libre - Oct 26 2022

web lámpara eléctrica una lámpara eléctrica bombilla ampolleta o foco es un dispositivo eléctrico que produce luz a partir de energía eléctrica esta conversión puede realizarse mediante distintos métodos como el calentamiento por efecto joule de un

filamento metálico por fluorescencia de ciertos metales ante una descarga eléctrica o

la electricidad focos pilas y chispas electricity - Mar 19 2022

web la electricidad focos pilas y chispas electricity la exposicion universal de paris en 1867 aug 28 2020 manual de física y elementos de química sep 21 2022 tratado de química aug 08 2021 mecánico y eléctrico del automóvil y diagnóstico

avanzado de fallas automotrices 3a edición manual completo de instruccion primaria

la electricidad focos pilas y chispas electricity full pdf portal - Aug 24 2022

web la electricidad focos pilas y chispas electricity 3 3 enseñanza en línea lejos de las aulas también abordamos el tema del home office y cómo esta manera de trabajo influye en la productividad de las personas en otros asuntos las colaboraciones de la dra sotres hablan por un lado sobre muhammad yunus quien plantea los retos en la

la electricidad focos pilas y chispas electricity - May 21 2022

web la electricidad focos pilas y chispas electricity as recognized adventure as skillfully as experience very nearly lesson amusement as competently as understanding can be gotten by just checking book collections from fictions to scientific research in any way in the course of them is this la electricidad focos pilas y chispas electricity

la electricidad focos pilas y chispas la electricidad focos pilas - Dec 28 2022

web la electricidad focos pilas y chispas texto informativo electricidad circuitos usos en en el hogar texto informativo que describe distintos circuitos eléctricos y sus usos en el hogar la electricidad focos pilas y chispas lectura disponible como ebook en follett shelf este libro puede ser leído en línea en la librería de

la electricidad focos pilas y chispas electricity pdf e - Feb 15 2022

web this la electricidad focos pilas y chispas electricity as one of the most committed sellers here will certainly be in the course of the best options to review la electricidad focos pilas y chispas electricity 2020 12 25

la electricidad focos pilas y chispas electricity pdf uniport edu - Apr 19 2022

web jun 15 2023 la electricidad focos pilas y chispas electricity 2 6 downloaded from uniport edu ng on june 15 2023 by guest violence on the lives of both the oppressors and those they victimized the feast of the goat will stand out as the great emblematic novel of latin america s twentieth century and removes one hundred years of solitude of that title

la electricidad focos pilas y chispas ciencia asombrosa spanish - Jun 02 2023

web jan 1 2007 descubre qué le da energía a los aparatos de tu casa en este libro electrizante read more previous page reading age 5 years and up print length 24 pages language spanish grade level kindergarten 2 dimensions 10 25 x 0 5 x 10 25 inches 20 734 in electrical electronics books brief content visible double tap to

la electricidad focos pilas y chispas electricity pdf - Mar 31 2023

web la electricidad focos pilas y chispas electricity la electricidad focos pilas y chispas electricity 2 downloaded from

publicaties nwp nl on 2022 08 23 by guest shape urania s own story alternates with the powerful climax of dictator rafael trujillo s reign in 1961 trujillo s decadent inner circle which includes urania s soon to be disgraced

la electricidad focos pilas y chispas electricity ciencia - May 01 2023

web may 24 2023 la electricidad focos pilas y chispas electricity ciencia asombrosa by darlene r stille la electricidad focos pilas y chispas electricity ciencia asombrosa by darlene r stille microsoft access bases de datos autor gonzalez fernan epub manual de circuitos electricos y electromagnetismo ponete las pilas te ayudo a ahorrar energía

la electricidad focos pilas y chispas curriculum nacional - Nov 26 2022

web la electricidad focos pilas y chispas texto informativo que describe distintos circuitos eléctricos y sus usos en el hogar texto informativo electricidad circuitos usos en en el hogar 4 básico lenguaje y comunicación lengua y

la electricidad focos pilas y chispas scribd - Aug 04 2023

web la electricidad hace que tu computadora brille hace que tu pan se tueste y que tu secadora seque descubre qué le da energía a los aparatos de tu casa en este libro electrizante leer más saltar el carrusel para niños idioma español editorial capstone young readers fecha de lanzamiento 1 ago 2021

la electricidad focos pilas y chispas electricity ciencia - Jun 21 2022

web como descargar libros gratis para ebook la electricidad focos pilas y chispas electricity ciencia asombrosa como descargar libros en

la electricidad focos pilas y chispas alibris - Sep 24 2022

web electricity electronics la electricidad focos pilas y chispas la electricidad focos pilas y chispas by darlene r stille filter results shipping eligible for free shipping expedited shipping available item condition seller rating other options

la electricidad focos pilas y chispas electricity - Jul 23 2022

web apr 1 2023 in some cases you likewise reach not discover the statement la electricidad focos pilas y chispas electricity that you are looking for it will very squander the time however below taking into consideration you visit this web page it will be suitably agreed simple to acquire as skillfully as download lead la electricidad focos pilas y

la electricidad electricity focos pilas y chispas bulbs - Jul 03 2023

web la electricidad electricity focos pilas y chispas bulbs batteries and sparks stille darlene r boyd sheree robledo sol amazon com mx libros

la electricidad focos pilas y chispas capstone library - Feb 27 2023

web pip pip rum la electricidad hace que tu computadora brille hace que tu pan se tueste y que tu secadora seque descubre qué le da energía a los aparatos de

la electricidad electricity focos pilas y chispas bulbs - Oct 06 2023

web la electricidad electricity focos pilas y chispas bulbs batteries and sparks ciencia asombrosa stille darlene r boyd sheree robledo sol amazon es libros

9781404824997 la electricidad focos pilas y chispas electricity - Sep 05 2023

web la electricidad focos pilas y chispas electricity find all books from stille darlene r at find more books com you can find used antique and new books compare results and immediately purchase your selection at the best price 9781404824997 capstone 2007 paperback very good may have limited

pdf la electricidad focos pilas y chispas electricity - Jan 29 2023

web la electricidad focos pilas y chispas electricity curso elemental de física experimental y aplicada para uso de los establecimientos de 2a enseñanza seminarios y escuelas normales jan 16 2023 si por un momento dejamos de lado la política y consideramos la energía de manera objetiva llegaremos a unas conclusiones que a menudo van en

vermeer brush wood chippers tree care landscape - Jan 27 2022

vermeer bc1000xl maintenance manual pdf - Jul 13 2023

web brush chipper feed system chipping capacity 19 48 cm infeed opening height 24 61 cm infeed opening width 20 51 cm feed table length 62 5 159 cm feed table

bc1800xl brush chipper vermeer com - Nov 24 2021

bc1800xl wood chipper vermeer australia - Jan 07 2023

web tackle wood waste measuring up to 19 48 3 cm with the powerful bc1800xl brush chipper three tier 4i stage iiib engine options ranging from 115 hp 85 8

equipment solutions for australian industry vermeer australia - Oct 04 2022

web commercial wood chipper vermeer brush chippers are a great value for professionals looking to boost productivity in a commercial wood chipper whole tree chipper

vermeer bc600xl chipper operators angeles millwork - Feb 25 2022

web sep 21 2022 the bc1800xl gas brush chipper is equipped with features such as patented smartfeed control system ecoidle engine control system tree

[vermeer bc1800xl parts service manual arborist](#) - Nov 05 2022

web discover the vermeer bc1800xl wood chipper at vermeer wa nt experience powerful and efficient wood chipping with this reliable equipment contact us today

vermeer bc1200xl operator s manual pdf - Dec 06 2022

web as the largest wood chipper in the lineup the bc1800xl is now available with a john deere tier 4 final engine with 173 hp 129 kw other standard features include the

vermeer bc1800xl wood chipper with tier 4 final engine - Aug 14 2023

web view and download vermeer bc1000xl maintenance manual online brush chipper bc1000xl chipper pdf manual download

vermeer bc1800xl brush chipper vermeer bc - Aug 02 2022

web learn more about the bc1800xl brush chipper with gas and tier 4 final engine options vermeer com brush chippers bc1800xl gas vermeer

vermeer bc1800xl wood chipper unrivalled reliability - Jul 01 2022

web created date 1 22 2010 3 48 29 pm

walkaround of the vermeer bc1800xl brush chipper youtube - Mar 29 2022

web reduce the need for manual feed control bar use take control with the standard tree commander remote control jobsite productivity is improved by allowing the operator to

vermeer bc1800xl brush chipper westerra equipment - Apr 29 2022

web this industry leading arborist equipment is increasing efficiency while being versatile enough to handle jobs of all sizes the bc1800xl t3 replaces old style wood chippers in perth

bc1800xl brush chipper vermeer - Apr 10 2023

web view and download vermeer bc1200xl operator s manual online brush chipper bc1200xl chipper pdf manual download

vermeer parts equipment manuals request today - May 11 2023

web the bc1800xl is designed with a 165 hp 123 kw psi 5 7 l gas engine powerful enough to tackle jobsite challenges when chipping large diameter wood optional winch

commercial wood chipper bc1800xl by vermeer india - May 31 2022

web these brush chippers are for arborists contractors and tree care crews looking to capitalize the process of clearing wood debris and logs or limbs with small to medium diameters

bc1800xl brush chipper vermeer tree care equipment - Sep 03 2022

web vermeer bc1800xl brush chipper for large wood chipping jobs the vermeer bc1800xl is up to the task as the largest wood chipper in the lineup the bc1800xl is

vermeer bc1800xl wood chipper with gas engine landscaping - Oct 24 2021

bc1800xl brush chipper vermeer - Mar 09 2023

web jul 1 2020 1 good day we have a 2014 vermeer bc1800xl chipper in the shop and are in need of a parts service manual

for this unit wiring schematics would be helpful

[the bc1800xl vermeer](#) - Jun 12 2023

web the smartfeed system monitors engine rpm and automatically stops and reverses the feed rollers to enhance production this system also senses feed roller jams and manipulates

vermeer wa nt s bc1800xl wood chipper vegetation - Dec 26 2021

vermeer bc1000xl operator s manual pdf - Feb 08 2023

web equipment solutions for australian industry vermeer australia

standard detay tse - Dec 26 2021

web u yürürlükteki standard standard başlık hidrolik akışkan güç sistemler ve bileşenleri için güvenlik kuralları ve genel kurallar başlık İng hydraulic fluid power general

n13 4 envso sp2 tz0 xx subsites imoney my - May 31 2022

web n13 4 envso sp2 tz0 xx pdf download picturepagenet n13 4 envso sp2 tz0 xx subsites imoney my 6 16 more references related to n13 4 envso sp2 tz0 xx epon

n13 4 envso sp2 tz0 xx 178 128 217 59 - Dec 06 2022

web n13 4 envso sp2 tz0 xx ib dp economics past year papers weebly markscheme environmental systems and societies standard level paper 2 mathematics sl paper 1

m13 4 envso sp2 eng tz1 xx full pdf - Jan 27 2022

web 5 n13 4 envso sp2 eng tz0 xx m over harvesting over irrigating so soil is depleted in minerals application of agrochemicals broken sewage system leads to toxification

environmental systems and societies standard level paper 2 - Oct 04 2022

web m18 4 envso sp2 eng tz0 xx 2218 6303 section a answer all questions answers must be written within the answer boxes provided 1 figure 1 shows the process of

environmental systems and societies sl paper 2 question booklet - Jul 13 2023

web turn over 16ep03 4 n13 4 envso sp2 eng tz0 xx q question 1 continued d i with reference to figure 2 calculate the percentage of kenya s electricity supply

[n13 4 envso sp2 tz0 xx pdf 2023 gestudy byu edu](#) - Jul 01 2022

web m13 4 envso sp2 eng tz1 xx full pdf web 5 n13 4 envso sp2 eng tz0 xx m over harvesting over irrigating so soil is depleted in minerals application of agrochemicals broken sewage

n13 4 envso sp2 tz0 xx pdf book - Mar 29 2022

web jun 27 2023 n13 4 envso sp2 tz0 xx pdf recognizing the pretentiousness ways to acquire this books n13 4 envso sp2 tz0 xx pdf is additionally useful you have

november 2017 environmental systems and societies standard - Sep 03 2022

web 6 n17 4 envso sp2 eng tz0 xx m 3 a i identify one human factor that contributes to photochemical smog 1 intensive combustion of fossil fuels organic

november 2016 environmental systems and societies standard - Mar 09 2023

web 6 n16 4 envso sp2 eng tz0 xx m e conclusion conc some species increase whereas others decrease with density of mesquite development dev e g oryx is

may 2019 environmental systems and societies standard level - Apr 10 2023

web 5 m19 4 envso sp1 eng tz0 xx m 5 reduction in sharks marlin predators of the tuna due to reduction in food source increase in micronekton predatory fish prey of

may 2022 environmental systems and societies standard level - Jun 12 2023

web 7 m22 4 envso sp2 eng tz0 xx m 3 a i identify one primary pollutant from the pollutants shown in figure 3 1 no no 2 hydrocarbons ii outline why the pollutant

ess 2 a answer on environmental system and societies 2 - Feb 08 2023

web ess 2 a answer on environmental system and societies 2 n18 4 envso sp2 eng tz0 xx m 18 pages studocu skip to document this is a

n13 4 envso sp2 tz0 xx copy uniport edu - Nov 05 2022

web may 16 2023 the n13 4 envso sp2 tz0 xx it is definitely easy then previously currently we extend the link to purchase and make bargains to download and install n13 4 envso sp2

november 2019 environmental systems and societies standard - Aug 14 2023

web i aquaculture increased demand for aquaculture due to 1 max increased human population increased demand for more food decrease in some capture fisheries

november 2015 environmental systems and societies standard - Aug 02 2022

web ecological footprints are the inverse of carrying capacity 4 max b example data from world bank 2013 to help marking team australia s electricity production is mostly from

n13 4 envso sp2 tz0 xx help environment harvard edu - Oct 24 2021

web n13 4 envso sp2 tz0 xx yeah reviewing a ebook n13 4 envso sp2 tz0 xx could accumulate your close associates listings this is just one of the solutions for you to be

n13 4 envso sp2 tz0 xx htaccess guide - Jan 07 2023

web mar 31 2023 n13 4 envso sp2 tz0 xx as recognized adventure as without difficulty as experience virtually lesson amusement as well as harmony can be gotten by just

november 2019 environmental systems and societies standard - Apr 29 2022

web 5 n19 4 envso sp1 eng tz0 xx m c 6000 2000 100 66 7 67 6000 6300 2000 100 68 2 68 6300 1 max accept answers between 66 67 and

İstanbul sanayi odası sürdürülebilirlik günleri web eğitim - Nov 24 2021

web İlikin rehber rehber 4 s1 5 teknik uzmanların değerlendirilmesi ve atanmasına İlikin rehber rehber 5 s1 standartlar tÜrkak rehberleri ve diğer normatif dokümanlar

n13 4 envso sp2 tz0 xx wrbb neu - Feb 25 2022

web n13 4 envso sp2 tz0 xx 1 n13 4 envso sp2 tz0 xx thank you completely much for downloading n13 4 envso sp2 tz0 xx maybe you have knowledge that people have

may 2018 environmental systems and societies standard level - May 11 2023

web award 4 max for identifying relevant generic features of system given above and 4 max for examples of these within a tree community beware of responses that are looking at