

4

3

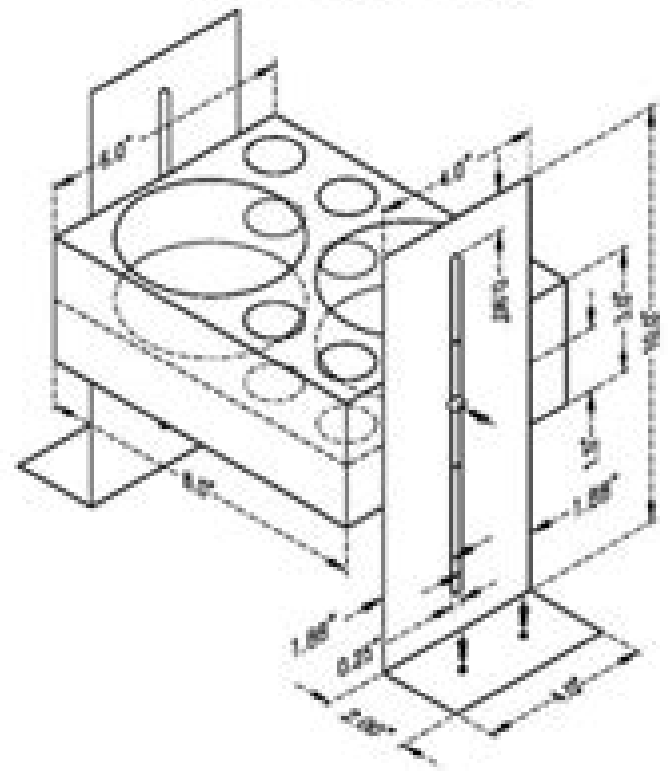
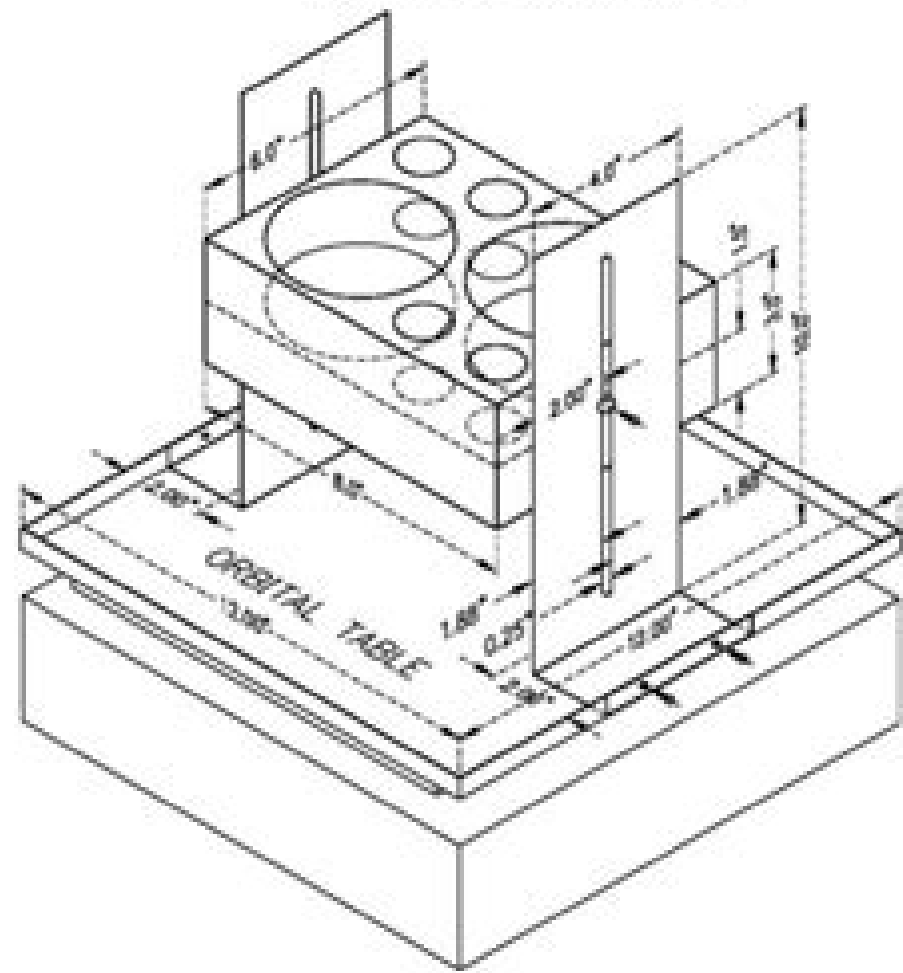
2

1

REVISIONS				
DATE	REV	DESCRIPTION	DATE	APPROVED
ALL	A	ORIGINAL Dwg ORIGINATOR	10 OCT 67	

ATTACHED TO ORBITAL TABLE

ATTACHED TO TABLE TOP



UNLESS OTHERWISE SPECIFIED
DIMENSIONS ARE IN INCHES
FRACTIONS: COMMON AND 16
ALL MACHINERY SURFACES
SEE PAGES 1 & 2

ONE DESCRIPTION
**ADJUSTABLE HEIGHT TRAY
FOR ORBITAL TABLE AND TABLE TOP
FOR POUCH FILLER MACHINE**

DRAWN BY: ORIGINAL DRAFTING	REV: 1	DATE: 10/10/67	SCALE: 1:1	SHEET: 1 OF 2
	A			A

4

3

2

1

Mechanical Workshop Sample Drawing In

Hussin A.Rothana



Mechanical Workshop Sample Drawing In:

The Amateur Mechanics Workshop James Lukin, 1904 **Mechanical Drawing for Plumbers** Robert Macy Starbuck, 1910 **The modernised Templeton. The practical mechanic's workshop companion** William Templeton (engineer.), 1900 *Mechanical Appliances, Mechanical Movements and Novelties of Construction* Gardner Dexter Hiscox, 1914 **Joint Volumes of Papers Presented to the Legislative Council and Legislative Assembly** New South Wales. Parliament, 1906 Includes various departmental reports and reports of commissions Cf Gregory Serial publications of foreign governments 1815 1931 **Popular Mechanics** ,1948-05 Popular Mechanics inspires instructs and influences readers to help them master the modern world Whether it s practical DIY home improvement tips gadgets and digital technology information on the newest cars or the latest breakthroughs in science PM is the ultimate guide to our high tech lifestyle *Popular Mechanics* ,1968-08 Popular Mechanics inspires instructs and influences readers to help them master the modern world Whether it s practical DIY home improvement tips gadgets and digital technology information on the newest cars or the latest breakthroughs in science PM is the ultimate guide to our high tech lifestyle *The Economy of Workshop Manipulation. A Logical Method of Learning Constructive Mechanics. Arranged with Questions, Etc* John RICHARDS (Mechanical Engineer), 1876 Report of the Commissioners on Agricultural, Commercial, Industrial, and Other Forms of Technical Education New South Wales. Commission on Primary, Secondary, Technical, and Other Branches of Education, 1905 English Mechanic and Mirror of Science ,1867

Reviewing **Mechanical Workshop Sample Drawing In**: Unlocking the Spellbinding Force of Linguistics

In a fast-paced world fueled by information and interconnectivity, the spellbinding force of linguistics has acquired newfound prominence. Its capacity to evoke emotions, stimulate contemplation, and stimulate metamorphosis is really astonishing. Within the pages of "**Mechanical Workshop Sample Drawing In**," an enthralling opus penned by a highly acclaimed wordsmith, readers embark on an immersive expedition to unravel the intricate significance of language and its indelible imprint on our lives. Throughout this assessment, we shall delve into the book's central motifs, appraise its distinctive narrative style, and gauge its overarching influence on the minds of its readers.

https://staging.conocer.cide.edu/public/browse/Download_PDFS/Jainism%20Or%20The%20Early%20Faith%20Of%20Ashoka.pdf

Table of Contents Mechanical Workshop Sample Drawing In

1. Understanding the eBook Mechanical Workshop Sample Drawing In
 - The Rise of Digital Reading Mechanical Workshop Sample Drawing In
 - Advantages of eBooks Over Traditional Books
2. Identifying Mechanical Workshop Sample Drawing In
 - Exploring Different Genres
 - Considering Fiction vs. Non-Fiction
 - Determining Your Reading Goals
3. Choosing the Right eBook Platform
 - Popular eBook Platforms
 - Features to Look for in an Mechanical Workshop Sample Drawing In
 - User-Friendly Interface
4. Exploring eBook Recommendations from Mechanical Workshop Sample Drawing In
 - Personalized Recommendations
 - Mechanical Workshop Sample Drawing In User Reviews and Ratings

- Mechanical Workshop Sample Drawing In and Bestseller Lists
- 5. Accessing Mechanical Workshop Sample Drawing In Free and Paid eBooks
 - Mechanical Workshop Sample Drawing In Public Domain eBooks
 - Mechanical Workshop Sample Drawing In eBook Subscription Services
 - Mechanical Workshop Sample Drawing In Budget-Friendly Options
- 6. Navigating Mechanical Workshop Sample Drawing In eBook Formats
 - ePub, PDF, MOBI, and More
 - Mechanical Workshop Sample Drawing In Compatibility with Devices
 - Mechanical Workshop Sample Drawing In Enhanced eBook Features
- 7. Enhancing Your Reading Experience
 - Adjustable Fonts and Text Sizes of Mechanical Workshop Sample Drawing In
 - Highlighting and Note-Taking Mechanical Workshop Sample Drawing In
 - Interactive Elements Mechanical Workshop Sample Drawing In
- 8. Staying Engaged with Mechanical Workshop Sample Drawing In
 - Joining Online Reading Communities
 - Participating in Virtual Book Clubs
 - Following Authors and Publishers Mechanical Workshop Sample Drawing In
- 9. Balancing eBooks and Physical Books Mechanical Workshop Sample Drawing In
 - Benefits of a Digital Library
 - Creating a Diverse Reading Collection Mechanical Workshop Sample Drawing In
- 10. Overcoming Reading Challenges
 - Dealing with Digital Eye Strain
 - Minimizing Distractions
 - Managing Screen Time
- 11. Cultivating a Reading Routine Mechanical Workshop Sample Drawing In
 - Setting Reading Goals Mechanical Workshop Sample Drawing In
 - Carving Out Dedicated Reading Time
- 12. Sourcing Reliable Information of Mechanical Workshop Sample Drawing In
 - Fact-Checking eBook Content of Mechanical Workshop Sample Drawing In
 - Distinguishing Credible Sources

13. Promoting Lifelong Learning
 - Utilizing eBooks for Skill Development
 - Exploring Educational eBooks
14. Embracing eBook Trends
 - Integration of Multimedia Elements
 - Interactive and Gamified eBooks

Mechanical Workshop Sample Drawing In Introduction

In this digital age, the convenience of accessing information at our fingertips has become a necessity. Whether its research papers, eBooks, or user manuals, PDF files have become the preferred format for sharing and reading documents. However, the cost associated with purchasing PDF files can sometimes be a barrier for many individuals and organizations. Thankfully, there are numerous websites and platforms that allow users to download free PDF files legally. In this article, we will explore some of the best platforms to download free PDFs. One of the most popular platforms to download free PDF files is Project Gutenberg. This online library offers over 60,000 free eBooks that are in the public domain. From classic literature to historical documents, Project Gutenberg provides a wide range of PDF files that can be downloaded and enjoyed on various devices. The website is user-friendly and allows users to search for specific titles or browse through different categories. Another reliable platform for downloading Mechanical Workshop Sample Drawing In free PDF files is Open Library. With its vast collection of over 1 million eBooks, Open Library has something for every reader. The website offers a seamless experience by providing options to borrow or download PDF files. Users simply need to create a free account to access this treasure trove of knowledge. Open Library also allows users to contribute by uploading and sharing their own PDF files, making it a collaborative platform for book enthusiasts. For those interested in academic resources, there are websites dedicated to providing free PDFs of research papers and scientific articles. One such website is Academia.edu, which allows researchers and scholars to share their work with a global audience. Users can download PDF files of research papers, theses, and dissertations covering a wide range of subjects. Academia.edu also provides a platform for discussions and networking within the academic community. When it comes to downloading Mechanical Workshop Sample Drawing In free PDF files of magazines, brochures, and catalogs, Issuu is a popular choice. This digital publishing platform hosts a vast collection of publications from around the world. Users can search for specific titles or explore various categories and genres. Issuu offers a seamless reading experience with its user-friendly interface and allows users to download PDF files for offline reading. Apart from dedicated platforms, search engines also play a crucial role in finding free PDF files. Google, for instance, has an advanced search feature that allows users to filter results by file type. By specifying the file type as "PDF,"

users can find websites that offer free PDF downloads on a specific topic. While downloading Mechanical Workshop Sample Drawing In free PDF files is convenient, it's important to note that copyright laws must be respected. Always ensure that the PDF files you download are legally available for free. Many authors and publishers voluntarily provide free PDF versions of their work, but it's essential to be cautious and verify the authenticity of the source before downloading Mechanical Workshop Sample Drawing In. In conclusion, the internet offers numerous platforms and websites that allow users to download free PDF files legally. Whether it's classic literature, research papers, or magazines, there is something for everyone. The platforms mentioned in this article, such as Project Gutenberg, Open Library, Academia.edu, and Issuu, provide access to a vast collection of PDF files. However, users should always be cautious and verify the legality of the source before downloading Mechanical Workshop Sample Drawing In any PDF files. With these platforms, the world of PDF downloads is just a click away.

FAQs About Mechanical Workshop Sample Drawing In Books

How do I know which eBook platform is the best for me? Finding the best eBook platform depends on your reading preferences and device compatibility. Research different platforms, read user reviews, and explore their features before making a choice. Are free eBooks of good quality? Yes, many reputable platforms offer high-quality free eBooks, including classics and public domain works. However, make sure to verify the source to ensure the eBook's credibility. Can I read eBooks without an eReader? Absolutely! Most eBook platforms offer web-based readers or mobile apps that allow you to read eBooks on your computer, tablet, or smartphone. How do I avoid digital eye strain while reading eBooks? To prevent digital eye strain, take regular breaks, adjust the font size and background color, and ensure proper lighting while reading eBooks. What's the advantage of interactive eBooks? Interactive eBooks incorporate multimedia elements, quizzes, and activities, enhancing the reader engagement and providing a more immersive learning experience. Mechanical Workshop Sample Drawing In is one of the best books in our library for free trial. We provide a copy of Mechanical Workshop Sample Drawing In in digital format, so the resources that you find are reliable. There are also many eBooks related to Mechanical Workshop Sample Drawing In. Where to download Mechanical Workshop Sample Drawing In online for free? Are you looking for Mechanical Workshop Sample Drawing In PDF? This is definitely going to save you time and cash in something you should think about. If you're trying to find them, search around for online. Without a doubt, there are numerous of these available and many of them have the freedom. However, without a doubt, you receive whatever you purchase. An alternate way to get ideas is always to check another Mechanical Workshop Sample Drawing In. This method for seeing exactly what may be included and adopting these ideas to your book. This site will almost certainly help you save time and effort, money and stress. If

you are looking for free books then you really should consider finding to assist you try this. Several of Mechanical Workshop Sample Drawing In are for sale to free while some are payable. If you arent sure if the books you would like to download works with for usage along with your computer, it is possible to download free trials. The free guides make it easy for someone to free access online library for download books to your device. You can get free download on free trial for lots of books categories. Our library is the biggest of these that have literally hundreds of thousands of different products categories represented. You will also see that there are specific sites catered to different product types or categories, brands or niches related with Mechanical Workshop Sample Drawing In. So depending on what exactly you are searching, you will be able to choose e books to suit your own need. Need to access completely for Campbell Biology Seventh Edition book? Access Ebook without any digging. And by having access to our ebook online or by storing it on your computer, you have convenient answers with Mechanical Workshop Sample Drawing In To get started finding Mechanical Workshop Sample Drawing In, you are right to find our website which has a comprehensive collection of books online. Our library is the biggest of these that have literally hundreds of thousands of different products represented. You will also see that there are specific sites catered to different categories or niches related with Mechanical Workshop Sample Drawing In So depending on what exactly you are searching, you will be able to choose ebook to suit your own need. Thank you for reading Mechanical Workshop Sample Drawing In. Maybe you have knowledge that, people have search numerous times for their favorite readings like this Mechanical Workshop Sample Drawing In, but end up in harmful downloads. Rather than reading a good book with a cup of coffee in the afternoon, instead they juggled with some harmful bugs inside their laptop. Mechanical Workshop Sample Drawing In is available in our book collection an online access to it is set as public so you can download it instantly. Our digital library spans in multiple locations, allowing you to get the most less latency time to download any of our books like this one. Merely said, Mechanical Workshop Sample Drawing In is universally compatible with any devices to read.

Find Mechanical Workshop Sample Drawing In :

[jainism or the early faith of ashoka](#)

[jade fever](#)

[ja house 3 1992](#)

[jake teds pick up lines that will neve](#)

[jairusfus daughter](#)

[jaina paintings](#)

[**james mill political writings**](#)

[jacksonian democracy](#)

jack sal mark making

~~jack frost movie storybook~~

jaiminigrhyasutra belonging to the samav

j. c. watts politician

jack gance

jacques perrin presents himalaya

ja coderch de sentmenat 19131984

Mechanical Workshop Sample Drawing In :

international iso standard 10013 - Jun 19 2022

web iso tr 19815 2018 66264 iso tr 19815 2018 information and documentation management of the environmental conditions for archive and library collections status

iso tr 19815 2018 information and documentation - Apr 17 2022

web this technical specification expands the business continuity guidance on establishing appropriate levels of continuity management within an organization s supply chain given

iso 10018 2020 quality management guidance for people - Aug 02 2023

web the iso 10018 2020 standard provides concepts for improving people engagement guidance on how changes can be made to the level of people engagement within

iso ts 22318 2015 en societal security business continuity - Feb 13 2022

web iso tr 10018 downloaded from db csda org by guest kaiser johnson food science and technology igi global food science and technology second edition is a

iso tr 11018 1997 en iso international - Feb 25 2023

web iso collaborates closely with the international electrotechnical commission iec on all matters of electrotechnical standardization the procedures used to develop this

iso 10018 2020 guidance for people engagement - Jul 01 2023

web the quality management system standards developed by iso tc 176 are based on the quality management principles described in iso 9000 the correlation between this

iso tr 10018 db csda - Dec 14 2021

iso 10015 2019 quality management guidelines for - Nov 24 2022

web iso tr 11018 1997 confirmed essential oils general guidance on the determination of flashpoint

iso tr 21718 2019 intelligent transport systems spatio - Jan 15 2022

web iso 10018 quality management guidance for people engagement management de la qualité recommandations pour l engagement du personnel reference 10018 2020 e

iso tr 11018 1997 sai global store - Oct 24 2022

web apr 1 2020 iso 10018 quality management guidance for people engagement global spec

iso iec tr 18018 2010 - Mar 17 2022

web this document is an updated and expanded version of iso tr 21718 2017 general information status published publication date 2019 01 stage international standard

international iso standard 10018 ydylstandards org cn - Nov 12 2021

40th plenary meeting of iso tc 176 sc2 wg 25 revision of - May 31 2023

web this document gives guidelines for an organization to establish implement maintain and improve systems for competence management and people development to positively

iso tr 10018 pdf - Jul 21 2022

web mar 20 1997 iso tr 11018 1997 essential oils general guidance on the determination of flashpoint publication date mar 20 1997 general information current stage 90 93

international iso standard 10018 - Sep 03 2023

web this document gives guidelines for engaging people in an organization s quality management system and on enhancing their involvement and competence within it this

iso 10018 2012 en quality management guidelines on people - Apr 29 2023

web iso tr 11018 which is a technical report of type 3 was prepared by technical committee iso tc 54 essential oils

introduction carriers insurance companies stock

iso 10018 quality people management standards - Oct 04 2023

web iso 10018 2020 e quality management guidance for people engagement and document scope enhancing guidelines involvement for engaging a d competenc people

iso tr 11018 1997 essential oils general guidance on the - Sep 22 2022

web iso tr 10018 research anthology on recent trends tools and implications of computer programming aug 06 2021

programming has become a significant part of connecting

iso 10015 2019 quality management guidelines for - Mar 29 2023

web abstract this document gives guidelines for the selection of appropriate statistical techniques that can be useful to an organization irrespective of size or complexity in

iso tr 11018 1997 genorma - May 19 2022

web iso iec tr 18018 2010 provides guidance in the evaluation and selection for cm tools during acquisition cm tool evaluation by prospective users can be complex time

iso 10017 2021 quality management guidance on statistical - Jan 27 2023

web this document gives guidelines for an organization to establish implement maintain and improve systems for competence management and people development to positively

iso 10014 2021 en quality management systems - Dec 26 2022

web mar 20 1997 essential oils general guidance on the determination of flashpoint available format s hardcopy pdf pdf 3 users pdf 5 users pdf 9 users language s

iso 10018 quality management guidance for people - Aug 22 2022

web iso foreword html this document was prepared by technical committee iso tc 176 quality management and quality assurance subcommittee sc 3 supporting

field hockey steps to success amazon singapore - Nov 08 2022

web enter the game with confidence knowing you ve mastered the essentials field hockey

field hockey steps to success 2nd edition steps to success - Jul 04 2022

web nov 22 2020 narrowing your goals to limited objectives is much more efficient make

field hockey steps to success by elizabeth anders goodreads - Sep 18 2023

web 9 rows as a former olympic player and the winningest coach in u s college field

field hockey steps to success anders elizabeth - Oct 19 2023

web dec 23 1998 3 61 18 ratings2 reviews to compete in the fast paced sport of field

field hockey steps to success steps to success s anders - Jun 03 2022

web field hockey steps to success home field hockey steps to success author

elizabeth anders sue myers field hockey steps to success - Oct 07 2022

web buy field hockey steps to success 2nd edition steps to success by elizabeth

field hockey steps to success semantic scholar - Apr 13 2023

web whether you are new to the sport or seeking new techniques to add to your arsenal

field hockey steps to success pdf free download - Feb 28 2022

web may 19 2015 center line the line in the center of the field that divides the field in half

field hockey steps to success google books - Jul 16 2023

web field hockey steps to success combines a comprehensive progressive approach with

[field hockey steps to success sts steps to success activity](#) - Jun 15 2023

web jun 23 2008 field hockey steps to success sts steps to success activity

paperback june 23 2008 amazon com - May 14 2023

web dec 23 1998 by following the clear and proven step by step teaching progression

field hockey steps to success championship - Jan 10 2023

web may 1 2017 field hockey steps to success is written this updated and expanded

field hockey positions roles and rules overview sport facts - Nov 27 2021

field hockey steps to success by anders elizabeth - Sep 06 2022

web field hockey steps to success steps to success s softcover anders elizabeth

[field hockey steps to success google books](#) - Aug 17 2023

web 8 rows whether you are new to the sport or seeking new techniques to add to your

field hockey human kinetics - Aug 05 2022

web dec 23 2021 field hockey is a team sport played by two teams with 10 field players

field hockey steps to success by elizabeth anders - Mar 12 2023

web aug 25 2008 field hockey steps to success sts steps to success activity 2nd

field hockey steps to success sts steps to success activity - Dec 09 2022

web this volume teaches the basic technical tactical and physical components of field

[field hockey steps to success 2ed amazon com au](#) - Feb 11 2023

web field hockey steps to success anders elizabeth myers susan amazon sg books

[field hockey techniques rules skills study com](#) - May 02 2022

web mar 18 2019 the first step toward developing proper technique and good habits as a

the 4 best tips and tricks for beginning field hockey players - Jan 30 2022

[four steps seven tips to create your own field hockey](#) - Apr 01 2022

web field hockey steps to success steps to success s anders elizabeth myers

field hockey steps to success steps to success s paperback - Dec 29 2021

multiple section filters and transmission lines chapter 9 network - Feb 14 2023

web multiple section filters and transmission lines alan keith walton book network analysis and practice online publication 05 june 2012 chapter doi doi org 10 1017 cbo9781139171816 010

[n f t l network filter transmission line dpg polytechnic](#) - Jun 06 2022

web filter a filter is network which suppress certain range of frequencies and pass other frequencies without any loss of signal different types of filter bases on components used active filter passive filter different types of filter based on frequency characteristics low pass filter high pass filter band pass filter band stop filter

4 1 network filters and transmission lines - Aug 20 2023

web 3 network analysis by van valkenburg prentice hall of india new delhi 4 network analysis by soni and gupta dhanpat rai and co publication new delhi 5 network theory and filter design by vasudev k aatre 6 network filters and transmission line by umesh sinha 7 network filter and transmission lines by yashpal ishan

network filters and transmission line content pdf scribd - Mar 03 2022

web network filters and transmission line content network network configuration attenuators attenuation classification of attenuators filter classification of filters use of filters transmission line different type of transmission line the equivalent circuit of transmission line application of

design of transmission line filters and matching circuits using - Jan 13 2023

web oct 16 2007 transmission line filters with shunt connected open circuit stubs and contin design of transmission line filters and matching circuits using genetic algorithms sanada 2007 ieej transactions on electrical and electronic engineering [transmission lines and filter networks scispace by typeset](#) - Dec 12 2022

web in this paper the cfa has been studied exhaustively using the transmission line method tlm in order to obtain an equivalent network and the antenna performance due to the lack of theoretical data to explain the cfa antenna behavior the tlm has been validated by means of moment method simulations and some available experimental data

transmission line wikipedia - Oct 10 2022

web transmission line schematic of a wave moving rightward down a lossless two wire transmission line black dots represent electrons and the arrows show the electric field one of the most common types of transmission line coaxial cable in electrical engineering a transmission line is a specialized cable or other structure designed to

network filter and transmission line gpmanesar ac in - Feb 02 2022

web the equivalent circuit of transmission line for any given transmission line resistance and inductance will occur along the line and capacitance and conductance will occur between the lines these are called primary constants and are uniformly distributed along the length of the line to make analysis simple

[communication network transmission lines google books](#) - Sep 21 2023

web nov 1 2020 the book is written for an undergraduate course on the communication network and transmission lines it provides comprehensive explanation of four terminal symmetrical and asymmetrical

networks filters transmission lines 6843 bdebooks - May 05 2022

web networks filters transmission lines 6843 belongs in electronics technology books book categories this book has 306 pages and 10 mb in size also you can read online networks filters transmission lines 6843 for free also you can free download other or related books from electronics technology books genre

[transmission lines waveguides google books](#) - Mar 15 2023

web nov 1 2020 it provides comprehensive coverage of four terminal networks filters transmission lines and various types of waveguides the book starts with explaining the symmetrical and asymmetrical

an introduction to network filters and transmission lines - Aug 08 2022

web sep 5 2018 an introduction to network filters and transmission lines paperback paperback 5 september 2018 4 6 6 ratings see all formats and editions paperback from 100 00 2 used from 100 00 returns policy secure transaction product condition no defects mostly unused language english publication date 5 september 2018 see all

4 1 network filters and transmission lines pdf scribd - Jul 07 2022

web transmission lines are used for purposes such as connecting radio transmitters and receivers with their antennas they are then called feed lines or feeders distributing cable television signals trunklines routing calls between telephone switching centres computer network connections and high speed computer data buses

[details for networks filters and transmission lines central](#) - Sep 09 2022

web networks filters and transmission lines p k jain and gurbir kaur by jain p k contributor s kaur gurbir material type text publication details new delhi tatamcgraw hill publishing co ltd 1994 subject s electric networks electric filters electric lines ddc classification 621 3192

[4 1 network filters and transmission lines yumpu](#) - Nov 11 2022

web oct 7 2015 start now 84 strong 4 1 strong strong network strong strong filters strong strong and strong strong transmission strong strong lines strong rationalel t p4 3the study of network filters and transmission lines leads to understanding of line

[4 1 network filters and transmission lines hsbte](#) - Jul 19 2023

web the study of network filters and transmission lines leads to understanding of line communication audio and video communication and micro wave communication particularly the study of network from principles of ac theory introduces the students to parameters and characteristics of various networks including filters

network filter and transmission line n f t l - Apr 04 2022

web apr 17 2020 hello guys welcome to my channel inspire tech academy this is mannu gupta ita mannu sir electronics by mannu sirshortvideosbymannu principalofcommunicati

networks filters and transmission lines by jain open library - Apr 16 2023

web oct 1 1994 networks filters and transmission lines by jain october 1 1994 mcgraw hill education edition paperback

networks filters and transmission lines dpq - Jun 18 2023

web networks filters and transmission lines learning objectives concept of symmetrical asymmetrical balanced unbalanced t pi ladder lattice l and bridge networks operation of filters and attenuators significance of impedance characteristics of low pass filter and high pass filter

pspice for filters and transmission lines springerlink - May 17 2023

web in this book pspice for filters and transmission lines we examine a range of active and passive filters where each design is simulated using the latest cadence orcad v10 5 pspice capture software these filters cannot match the very high order digital signal processing dsp filters considered in pspice for digital signal processing but