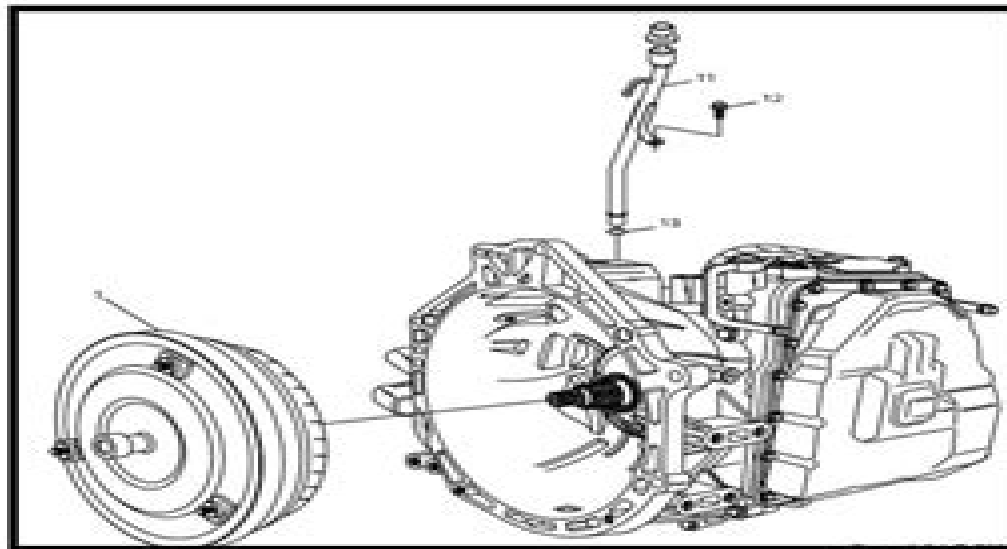




JATCO

JF506E

Repair and Service



**Description / Electronic Components
Disassembly and Assembly
Technical Data / Diagrams / Etc.**



Manual Manual Jatco Jf506 E

Larry Warren, John Harold Haynes

Manual Manual Jatco Jf506 E:

The Top Books of the Year Manual Manual Jatco Jf506 E The year 2023 has witnessed a noteworthy surge in literary brilliance, with numerous compelling novels captivating the hearts of readers worldwide. Lets delve into the realm of bestselling books, exploring the fascinating narratives that have charmed audiences this year. Manual Manual Jatco Jf506 E : Colleen Hoover's "It Ends with Us" This touching tale of love, loss, and resilience has gripped readers with its raw and emotional exploration of domestic abuse. Hoover skillfully weaves a story of hope and healing, reminding us that even in the darkest of times, the human spirit can prevail. Uncover the Best : Taylor Jenkins Reids "The Seven Husbands of Evelyn Hugo" This captivating historical fiction novel unravels the life of Evelyn Hugo, a Hollywood icon who defies expectations and societal norms to pursue her dreams. Reids absorbing storytelling and compelling characters transport readers to a bygone era, immersing them in a world of glamour, ambition, and self-discovery. Manual Manual Jatco Jf506 E : Delia Owens "Where the Crawdads Sing" This mesmerizing coming-of-age story follows Kya Clark, a young woman who grows up alone in the marshes of North Carolina. Owens crafts a tale of resilience, survival, and the transformative power of nature, captivating readers with its evocative prose and mesmerizing setting. These popular novels represent just a fraction of the literary treasures that have emerged in 2023. Whether you seek tales of romance, adventure, or personal growth, the world of literature offers an abundance of compelling stories waiting to be discovered. The novel begins with Richard Papen, a bright but troubled young man, arriving at Hampden College. Richard is immediately drawn to the group of students who call themselves the Classics Club. The club is led by Henry Winter, a brilliant and charismatic young man. Henry is obsessed with Greek mythology and philosophy, and he quickly draws Richard into his world. The other members of the Classics Club are equally as fascinating. Bunny Corcoran is a wealthy and spoiled young man who is always looking for a good time. Charles Tavis is a quiet and reserved young man who is deeply in love with Henry. Camilla Macaulay is a beautiful and intelligent young woman who is drawn to the power and danger of the Classics Club. The students are all deeply in love with Morrow, and they are willing to do anything to please him. Morrow is a complex and mysterious figure, and he seems to be manipulating the students for his own purposes. As the students become more involved with Morrow, they begin to commit increasingly dangerous acts. The Secret History is a exceptional and thrilling novel that will keep you guessing until the very end. The novel is a cautionary tale about the dangers of obsession and the power of evil.

<https://staging.conocer.cide.edu/book/book-search/default.aspx/Ethics%20And%20Morality%20In%20Feminism%20An%20Interdisciplinary%20Bibliography.pdf>

Table of Contents Manual Manual Jatco Jf506 E

1. Understanding the eBook Manual Manual Jatco Jf506 E
 - The Rise of Digital Reading Manual Manual Jatco Jf506 E
 - Advantages of eBooks Over Traditional Books
2. Identifying Manual Manual Jatco Jf506 E
 - Exploring Different Genres
 - Considering Fiction vs. Non-Fiction
 - Determining Your Reading Goals
3. Choosing the Right eBook Platform
 - Popular eBook Platforms
 - Features to Look for in an Manual Manual Jatco Jf506 E
 - User-Friendly Interface
4. Exploring eBook Recommendations from Manual Manual Jatco Jf506 E
 - Personalized Recommendations
 - Manual Manual Jatco Jf506 E User Reviews and Ratings
 - Manual Manual Jatco Jf506 E and Bestseller Lists
5. Accessing Manual Manual Jatco Jf506 E Free and Paid eBooks
 - Manual Manual Jatco Jf506 E Public Domain eBooks
 - Manual Manual Jatco Jf506 E eBook Subscription Services
 - Manual Manual Jatco Jf506 E Budget-Friendly Options
6. Navigating Manual Manual Jatco Jf506 E eBook Formats
 - ePub, PDF, MOBI, and More
 - Manual Manual Jatco Jf506 E Compatibility with Devices
 - Manual Manual Jatco Jf506 E Enhanced eBook Features
7. Enhancing Your Reading Experience
 - Adjustable Fonts and Text Sizes of Manual Manual Jatco Jf506 E
 - Highlighting and Note-Taking Manual Manual Jatco Jf506 E
 - Interactive Elements Manual Manual Jatco Jf506 E
8. Staying Engaged with Manual Manual Jatco Jf506 E

- Joining Online Reading Communities
 - Participating in Virtual Book Clubs
 - Following Authors and Publishers Manual Manual Jatco Jf506 E
9. Balancing eBooks and Physical Books Manual Manual Jatco Jf506 E
- Benefits of a Digital Library
 - Creating a Diverse Reading Collection Manual Manual Jatco Jf506 E
10. Overcoming Reading Challenges
- Dealing with Digital Eye Strain
 - Minimizing Distractions
 - Managing Screen Time
11. Cultivating a Reading Routine Manual Manual Jatco Jf506 E
- Setting Reading Goals Manual Manual Jatco Jf506 E
 - Carving Out Dedicated Reading Time
12. Sourcing Reliable Information of Manual Manual Jatco Jf506 E
- Fact-Checking eBook Content of Manual Manual Jatco Jf506 E
 - Distinguishing Credible Sources
13. Promoting Lifelong Learning
- Utilizing eBooks for Skill Development
 - Exploring Educational eBooks
14. Embracing eBook Trends
- Integration of Multimedia Elements
 - Interactive and Gamified eBooks

Manual Manual Jatco Jf506 E Introduction

In the digital age, access to information has become easier than ever before. The ability to download Manual Manual Jatco Jf506 E has revolutionized the way we consume written content. Whether you are a student looking for course material, an avid reader searching for your next favorite book, or a professional seeking research papers, the option to download Manual Manual Jatco Jf506 E has opened up a world of possibilities. Downloading Manual Manual Jatco Jf506 E provides numerous advantages over physical copies of books and documents. Firstly, it is incredibly convenient. Gone are the days of carrying around heavy textbooks or bulky folders filled with papers. With the click of a button, you can gain immediate access to

valuable resources on any device. This convenience allows for efficient studying, researching, and reading on the go. Moreover, the cost-effective nature of downloading Manual Manual Jatco Jf506 E has democratized knowledge. Traditional books and academic journals can be expensive, making it difficult for individuals with limited financial resources to access information. By offering free PDF downloads, publishers and authors are enabling a wider audience to benefit from their work. This inclusivity promotes equal opportunities for learning and personal growth. There are numerous websites and platforms where individuals can download Manual Manual Jatco Jf506 E. These websites range from academic databases offering research papers and journals to online libraries with an expansive collection of books from various genres. Many authors and publishers also upload their work to specific websites, granting readers access to their content without any charge. These platforms not only provide access to existing literature but also serve as an excellent platform for undiscovered authors to share their work with the world. However, it is essential to be cautious while downloading Manual Manual Jatco Jf506 E. Some websites may offer pirated or illegally obtained copies of copyrighted material. Engaging in such activities not only violates copyright laws but also undermines the efforts of authors, publishers, and researchers. To ensure ethical downloading, it is advisable to utilize reputable websites that prioritize the legal distribution of content. When downloading Manual Manual Jatco Jf506 E, users should also consider the potential security risks associated with online platforms. Malicious actors may exploit vulnerabilities in unprotected websites to distribute malware or steal personal information. To protect themselves, individuals should ensure their devices have reliable antivirus software installed and validate the legitimacy of the websites they are downloading from. In conclusion, the ability to download Manual Manual Jatco Jf506 E has transformed the way we access information. With the convenience, cost-effectiveness, and accessibility it offers, free PDF downloads have become a popular choice for students, researchers, and book lovers worldwide. However, it is crucial to engage in ethical downloading practices and prioritize personal security when utilizing online platforms. By doing so, individuals can make the most of the vast array of free PDF resources available and embark on a journey of continuous learning and intellectual growth.

FAQs About Manual Manual Jatco Jf506 E Books

What is a Manual Manual Jatco Jf506 E PDF? A PDF (Portable Document Format) is a file format developed by Adobe that preserves the layout and formatting of a document, regardless of the software, hardware, or operating system used to view or print it. **How do I create a Manual Manual Jatco Jf506 E PDF?** There are several ways to create a PDF: Use software like Adobe Acrobat, Microsoft Word, or Google Docs, which often have built-in PDF creation tools. Print to PDF: Many applications and operating systems have a "Print to PDF" option that allows you to save a document as a PDF file

instead of printing it on paper. Online converters: There are various online tools that can convert different file types to PDF. **How do I edit a Manual Manual Jatco Jf506 E PDF?** Editing a PDF can be done with software like Adobe Acrobat, which allows direct editing of text, images, and other elements within the PDF. Some free tools, like PDFescape or Smallpdf, also offer basic editing capabilities. **How do I convert a Manual Manual Jatco Jf506 E PDF to another file format?** There are multiple ways to convert a PDF to another format: Use online converters like Smallpdf, Zamzar, or Adobe Acrobats export feature to convert PDFs to formats like Word, Excel, JPEG, etc. Software like Adobe Acrobat, Microsoft Word, or other PDF editors may have options to export or save PDFs in different formats. **How do I password-protect a Manual Manual Jatco Jf506 E PDF?** Most PDF editing software allows you to add password protection. In Adobe Acrobat, for instance, you can go to "File" -> "Properties" -> "Security" to set a password to restrict access or editing capabilities. Are there any free alternatives to Adobe Acrobat for working with PDFs? Yes, there are many free alternatives for working with PDFs, such as: LibreOffice: Offers PDF editing features. PDFsam: Allows splitting, merging, and editing PDFs. Foxit Reader: Provides basic PDF viewing and editing capabilities. How do I compress a PDF file? You can use online tools like Smallpdf, ILovePDF, or desktop software like Adobe Acrobat to compress PDF files without significant quality loss. Compression reduces the file size, making it easier to share and download. Can I fill out forms in a PDF file? Yes, most PDF viewers/editors like Adobe Acrobat, Preview (on Mac), or various online tools allow you to fill out forms in PDF files by selecting text fields and entering information. Are there any restrictions when working with PDFs? Some PDFs might have restrictions set by their creator, such as password protection, editing restrictions, or print restrictions. Breaking these restrictions might require specific software or tools, which may or may not be legal depending on the circumstances and local laws.

Find Manual Manual Jatco Jf506 E :

ethics and morality in feminism an interdisciplinary bibliography

ethnography in organizations

eucharistic doctors a theological history

ethnicity party and national integration; an indonesian case study yale southeast asia studies

ethels exceptional egg

~~eugene field and his age~~

eureka 81 key ideas explained

ethical business challenges and controversies

europa by train the number one guide to budget travel

ethernet networks design implementation operation and management

ethical dimensions in health professions 4th

europaean banking

eurail guide 1991

europaean congreb of mathematics barcelona july 1014 2000 volume i progreb in mathematics

ethnic dress

Manual Manual Jatco Jf506 E :

changing company s name business entities company company - Feb 05 2023

web registering a resolution for change of name provided that the proposed name has been approved the resolution for change of name must be submitted within fifteen 15 days from the date of the resolution either through the e filing system of the registrar of companies or by hand post

company name change letter 14 examples format sample - Jun 09 2023

web a name change letter is a letter that companies or organizations use to notify their clients or the general public about a new name the letter often follows a standard format and layout and includes the address of your organization that of the intended recipient and the date it was written company name change letter

request letter for change of company name in bank account - Jul 10 2023

web this is the template of a covering letter from the company to its banker wherein the company is requesting the bank to change the name of the company in the records of the bank for the account of the company maintained with that bank

compliance checklist for change of name of a company pl - Aug 31 2022

web mar 13 2021 under the companies act 2013 the act there is a specific procedure for changing the name of the company this article provides a comprehensive compliance checklist for the procedure for change of name of the company not by conversion of public company into private company or vice versa

change of company name lowyat net - Feb 22 2022

web jan 31 2019 change of company name depend on the account name really but i do know many companies use previous xxx sdn bhd for the meantime how to make payment get a new cheque book from bank inb4 k is bank s cs counter ni

change a company name nm01 gov uk - Jun 28 2022

web 23 september 2014 last updated 9 march 2015 see all updates get emails about this page documents change your company s name online idam ui company information service gov uk

sample of request letter for change name in cheque ask me fast - Aug 11 2023

web hoe to write a letter to company for cheque favour name changeing dear sir we have giving rooms rent for one company

that time i have not haveing bank account no in this regards i have taken cheque one the my friend but know i have taken bank account so know how to write a letter to company for chaning cheque issue for my name

how to change your uk company name step by step guide - Mar 26 2022

web 20 april 2021 companies may wish to change their name in a variety of circumstances often following an acquisition or as part as part of a rebranding this article sets out the general checks and process to follow if you want to change your company name step 1 choosing a new company name

get the free cheque name change request letter form pdffiller - Jan 24 2022

web a cheque name change request is a request to change the name of a cheque recipient this is often necessary when the name of the intended recipient of the cheque has changed or if the cheque was made out to the wrong recipient the process for requesting a change varies depending on the bank issuing the cheque but generally involves the

authorization letter to change the name of the check how to - Dec 03 2022

web double space and left justify the text type the current date and double space again type the bank manager s or recipient s name and official title the name of the bank and the bank s address as a single spaced block open with a formal salutation greeting the bank manager by name such as dear mr jones

company name change letter 4 templates writolay - May 08 2023

web sep 22 2023 as the name of the company has been changed we request you to kindly update the current account of the company from mention old name to mention new name please find the attached documents for the requirements of the process

change of company name checklist practical law - Mar 06 2023

web change of company name checklist by practical law corporate this checklist provides an overview of matters to consider and the procedure s to follow when a company changes its name either by resolution or by means provided in its articles of association

change in the name of the company step by step procedure - Nov 02 2022

web sep 16 2019 after incorporation the company can change their name by the ways that are given below a conversion of company name from private company to public company or b conversion of name from public company to private company or c change of name Of the company from abc limited to xyz limited

request letter for new cheque due to overwriting on cheque - Apr 07 2023

web jun 12 2021 with due respect my name is your name the manager of name of the company and i am writing this letter to bring to your notice that the cheque you issued on mention date of a sum amount mention amount holding cheque number mention cheque number is overwritten request letter for

request letter for change of name in cheque letters in english - Sep 12 2023

web aug 23 2022 subject change of name in cheque respected sir madam i am name and i serve as designation of company name i am writing this letter to inform you that a cheque having cheque number cheque number of amount was issued from your side

request letter for change name in cheque best letter template - Jul 30 2022

web date 5th july 2020 to the manager the indian bank 56 xyz enclave india subject change of name on the cheque dear mr ajay this letter is to inform you officially that i have legally changed my name my previous name which is currently in the bank records for the account numer 66333110954 is sunil chopra

sample of request letter for change name in cheque - May 28 2022

web letter to company to change cheque name dear sir i needed on prepare an letter to our slope regarding the change of dial numbers email address please can you help me in such matter could you give me a sample letter for disconnection of telephone line the company is bayantel and we would like fork immediate disconnection my speech

sample of request letter for change name in cheque - Apr 26 2022

web i have a company go the name of cld technical services llc now i altering the company name cld air condition and electricity car llc so i want go wite letter to other firm for register my new company name and perform cheque under the new company name

sample authorization letter to change name in cheque - Oct 01 2022

web sep 1 2023 the original name on the cheque is original name and i would like to add the company name company name attached to this letter is a copy of the legal documentation that proves the company s existence

make changes to your private limited company company name gov uk - Jan 04 2023

web a company can change its name either by a special resolution permission given in the company s articles of association your new name must follow all the rules for company names

introduction to banking barbara casu claudia girardone philip - Oct 06 2022

web oct 1 2021 introduction to banking barbara casu claudia girardone philip molyneux pearson 2022 bank management 791 pages the aim of this textbook is to provide a comprehensive introduction to theoretical and applied issues relating to

introduction to banking barbara casu claudia girardone philip - Dec 08 2022

web the new edition discusses the developments contributing to the rapid transformation of the banking sector such as increased competition from non bank financial providers urgency of more sustainable banking the fintech boom digitalisation of banking growth of islamic banking the covid 19 pandemic and green finance opportunities

introduction to banking barbara casu claudia girardone philip - May 13 2023

web apr 17 2015 it offers a comprehensive insight into the business of banking providing up to date information about the impact of the financial crisis upon the banking sector globally and the far reaching

introduction to banking barbara casu claudia girardone philip - Aug 16 2023

web oct 1 2021 pearson higher ed oct 1 2021 business economics 791 pages gain a thorough insight into the business of banking introduction to banking 3rd edition by casu girardone and

introduction to banking 3rd edition by barbara casu open library - Nov 07 2022

web aug 6 2023 introduction to banking 3rd edition by barbara casu claudia girardone and philip molyneux 0 ratings 3 want to read 0 currently reading 0 have read this edition doesn't have a description yet can you add one publish date 2021 publisher pearson education limited language english subjects finance showing 1 featured edition view

introduction to banking barbara casu claudia girardone philip - Feb 10 2023

web apr 17 2015 barbara casu is the director of the centre for banking research at cass business school city university london where she is associate professor of banking claudia girardone is professor

professor barbara casu bayes business school - Jan 09 2023

web professor barbara casu lukac is the director of the centre for banking research at bayes business school she is also the head of the faculty of finance at bayes her main research interests are in empirical banking financial regulation structured finance and corporate governance

introduction to banking by barbara casu open library - Jul 03 2022

web dec 31 2006 introduction to banking by barbara casu open library not in library want to read 1 2 3 4 more small commission overview view 1 edition details reviews lists related books last edited by bwbimportbot february 10 2023 history edit an edition of introduction to banking 2006 introduction to banking

introduction to banking barbara casu claudia girardone philip - Jul 15 2023

web provides a comprehensive introduction to theoretical and applied issues relating to the global banking industry the text is organised into four main sections introduction to banking

introduction to banking pearson - Apr 12 2023

web oct 3 2021 instant access isbn 13 9781292240374 introduction to banking published 2021 need help

introduction to banking 2nd edition barbara casu pearson - Feb 27 2022

web introduction to banking 2nd edition offers a comprehensive insight into the business of banking providing up to date information about the impact of the financial crisis upon the banking sector globally and the far reaching regulatory reforms

introduction to banking by barbara casu open library - Aug 04 2022

web may 4 2023 introduction to banking by barbara casu claudia girardone philip molyneux 2015 pearson education

australia pearson edition in english

introduction to banking by barbara casu goodreads - Dec 28 2021

web barbara casu claudia girardone philip molyneux 3 48 25 ratings 2 reviews providing an introduction to the business of banking this book covers both theoretical and applied issues relating to the global banking industry it is organised into four main sections introduction to banking central banking and bank regulation issues in bank

introduction to banking barbara casu claudia girardone - Jan 29 2022

web find all the study resources for introduction to banking by barbara casu claudia girardone philip molyneux

introduction to banking barbara casu economics kitapları - Sep 05 2022

web introduction to banking yazar barbara casu claudia girardone philip molyneux yayınevleri pearson education limited kitap formatı ciltsiz İnce kapak

introduction to banking 9780273693024 banking books - Jun 02 2022

web dec 15 2006 introduction to banking is a comprehensive and up to date introduction to the business of banking written by expert authors the book covers both theoretical and applied issues relating to the global banking industry highlighted by examples from across europe and the wider international arena

introduction to banking 3rd ed by barbara casu ebook - Mar 31 2022

web isbn 9781292240374 edition 3 title introduction to banking author barbara casu claudia girardone philip molyneux imprint pearson language english number of pages 1 disclaimer download file formats this ebook is available in epub encrypted digital rights management drm

introduction to banking casu barbara girardone claudia - Jun 14 2023

web the new edition discusses the developments contributing to the rapid transformation of the banking sector such as digitalisation of banking and emergence of non bank providers the growing importance of sustainable banking the fintech boom the impact of on banking services structural and regulatory changes in the banking industry and the

introduction to banking by barbara casu claudia girardone - May 01 2022

web nov 12 2021 synopsis gain a thorough insight into the business of banking introduction to banking 3rd edition by casu girardone and molyneux offers an in depth overview of the theoretical and applied issues in the global banking industry

introduction to banking casu barbara free download borrow - Mar 11 2023

web providing an introduction to the business of banking this book covers both theoretical and applied issues relating to the global banking industry it is organised into four main sections introduction to banking central banking and bank regulation issues in bank management and comparative banking markets

mauritius school support 2021 cambridge assessment - Apr 29 2022

web 3252 modern standard chinese 2024 2025 syllabus update notice 143 6 kb 3252 modern standard chinese june 2021 question paper 1 1 0 mb 3252 modern standard chinese june 2021 mark scheme 1 175 9 kb 3252 modern standard chinese june 2021 question paper 2 1 1 mb 3252 modern standard chinese june 2021 mark scheme 2

grade 4 test papers singapore math learning center - Nov 05 2022

web nov 25 2020 download download 652 file size 93 mb file count 1 create date november 25 2020

p4 2020 maths papers - Apr 10 2023

web p4 2020 maths papers ca1 catholic ca1 exam paper henry park ca1 exam paper maha bodhi ca1 exam paper methodist girls ca1 exam paper sa1 red swastika sa1 exam paper rosyth sa1 exam paper tao nan sa1 exam paper sa2 ai tong sa2 exam paper anglo chinese sa2 exam paper chij st nicholas girls sa2 exam paper

cambridge past exam papers o level mathematics 4029 answers - Oct 16 2023

web o level mathematics past papers 4024 o level mathematics past papers download yearly cambridge o level maths past papers to fully prepare for your o level mathematics exam

4024 4029 y17 sy cambridge assessment international education - Dec 06 2022

web 6 cambridge o level mathematics syllabus d 4024 4029 syllabus for examination in 2017 3 assessment at a glance all candidates take two papers each paper may contain questions on any part of the syllabus and questions will not necessarily be restricted to a single topic paper 1 2 hours paper 1 has short answer questions

gce a level 2009 oct nov h2 maths 9740 paper 1 suggested answers - Jul 01 2022

web nov 12 2009 2009 a level october november h2 maths 9740 paper 2 solutions click to download now that we re halfway there it s time to focus on the following topics in your h2 maths paper 2 while the h1 folks can forget about maths for a long long time

primary mathematics 2022 edition answer keys singapore math - Jun 12 2023

web the singapore math method is a highly effective teaching approach originally developed by singapore s ministry of education in the 1980s for singapore public schools view primary mathematics 2022 edition answer keys here

course mauritius school support 2021 topic 4029 mathematics - May 11 2023

web 4029 mathematics june 2021 principal examiner report 590 8 kb 4029 mathematics november 2022 question paper 1 2 4 mb 4029 mathematics november 2022 question paper 1 mark scheme 263 6 kb 4029 mathematics november 2022 question paper 2 1 4 mb 4029 mathematics november 2022 question paper 2 mark scheme

cambridge o level mathematics syllabus d 4024 - Oct 04 2022

web 2018 paper 1 specimen paper pdf 532kb 2018 paper 1 specimen mark scheme pdf 214kb 2018 paper 2 specimen paper pdf 468kb 2018 paper 2 specimen mark scheme pdf 235kb 2025 specimen paper 1 pdf 1mb

answers for mathematics paper 4029 pdf spc - May 31 2022

web answers for mathematics paper 4029 3 3 press modeling and simulation in python teaches readers how to analyze real world scenarios using the python programming language requiring no more than a background in high school math modeling and simulation in python is a thorough but easy to follow introduction to physical

answers for mathematics paper 4029 pdf - Feb 08 2023

web answers for mathematics paper 4029 mathematical writing apr 20 2022 this book will help those wishing to teach a course in technical writing or who wish to write themselves hkdse mathematics paper 2 past paper by topic 2012 2019 with answers may 02 2023 collected papers sep 25 2022

mathematics syllabus d - Aug 14 2023

web paper 4029 01 paper 1 key messages in order to do well in this paper candidates need to have covered the entire syllabus and should be able to recall the necessary formulae

[4029 w19 ms 2 govmu org](#) - Sep 15 2023

web question answer marks partial marks 8 b c2 122 452 m1 c 46 57 a1 8 c 1820 or 1816 to 1819 0 4 b2 for l 62 09 to 62 13 or m1 for 60 1622 oe and m1 for π 16 their 62 1 π 12 46 6 π 122 if 0 scored sc1 for π 122 9 a i 10 x final answer 1 9 a ii 12 x final answer 1 9 b 10 12 3 10 12 4 xx

course mauritius school support 2021 topic 4021 mathematics - Jan 07 2023

web 4029 mathematics syllabus d 4021 mathematics 4021 mathematics 2023 2024 syllabus 409 7 kb 4021 mathematics 2023 2024 syllabus update notice 147 6 kb 4021 mathematics 2025 2027 syllabus 779 8 kb 4021 mathematics 2025 transition guide 471 1 kb 4021 mathematics 2023 specimen paper 1 1 4 mb 4021 mathematics 2023

mathematics d calculator version 4024 o level past papers - Aug 02 2022

web mar 24 2023 cambridge international o level mathematics d calculator version 4024 mathematics d calculator version 4024 online tutors mathematics d calculator version updates syllabus details and about cambridge education some incoming search terms 2023 may june 2022 oct nov 2022 may june 2021 oct nov

icse class 10 mathematics question paper 2023 with answer key - Feb 25 2022

web nov 16 2023 pooja sharma icse class 10 mathematics question paper 2023 with answer key pdf is available for download here the exam was conducted by council for the indian school certificate examinations cisce on march 10 2023 in the morning session 11 am to 1 30 pm in terms of difficulty level icse class 10 mathematics was moderate

answers for mathematics paper 4029 archive imba - Mar 29 2022

web 2 answers for mathematics paper 4029 2023 08 24 explanation based on economic complexity a measure of a society's productive knowledge prosperous societies are those that have the knowledge to make a larger variety of more complex

products the atlas of economic complexity attempts to measure the amount of productive

cambridge assessment international education cambridge - Jul 13 2023

web mathematics syllabus d 4029 01 paper 1 october november 2019 2 hours candidates answer on the question paper

additional materials geometrical instruments read these instructions first write your centre number candidate number and

name on all the work you hand in write in dark blue or black pen you may use an hb

syllabus cambridge o level mathematics syllabus d 4024 - Mar 09 2023

web cambridge o level mathematics syllabus d 4024 4029 syllabus for examination in 2022 2023 and 2024 5 2 teacher

support 2 1 support materials you can go to our public website at [cambridgeinternational.org/olevel](https://www.cambridgeinternational.org/olevel) to download current and

future syllabuses together with specimen papers or past question papers examiner reports and grade

past papers o levels mathematics d 4024 gce guide - Sep 03 2022

web aug 13 2023 caie past papers for cambridge o level cambridge int l as and a level and cambridge igcse subjects past

papers o levels mathematics d 4024 gce guide may 2023 papers for caie qualifications available now