

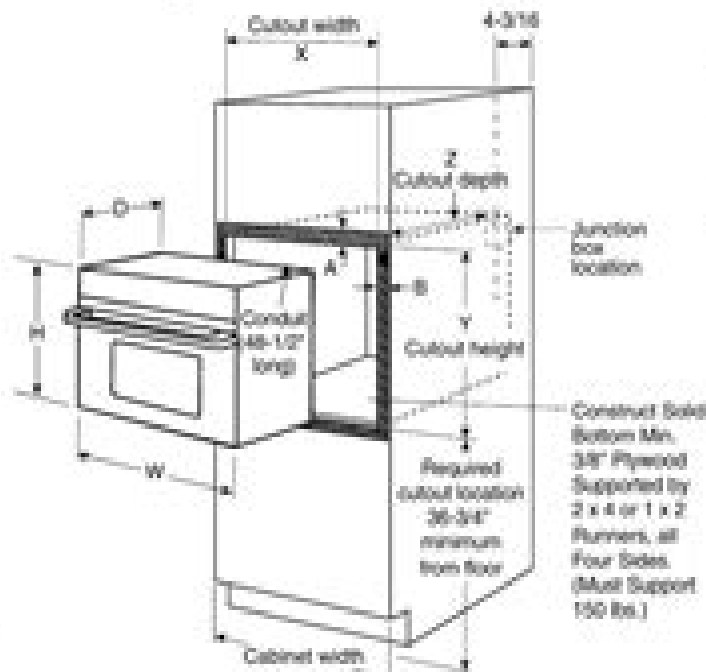
GE Profile Advantium® 120 Wall Oven

Advantium wall oven/GE Profile cooking tower dimensions and cabinet installation information (in inches)

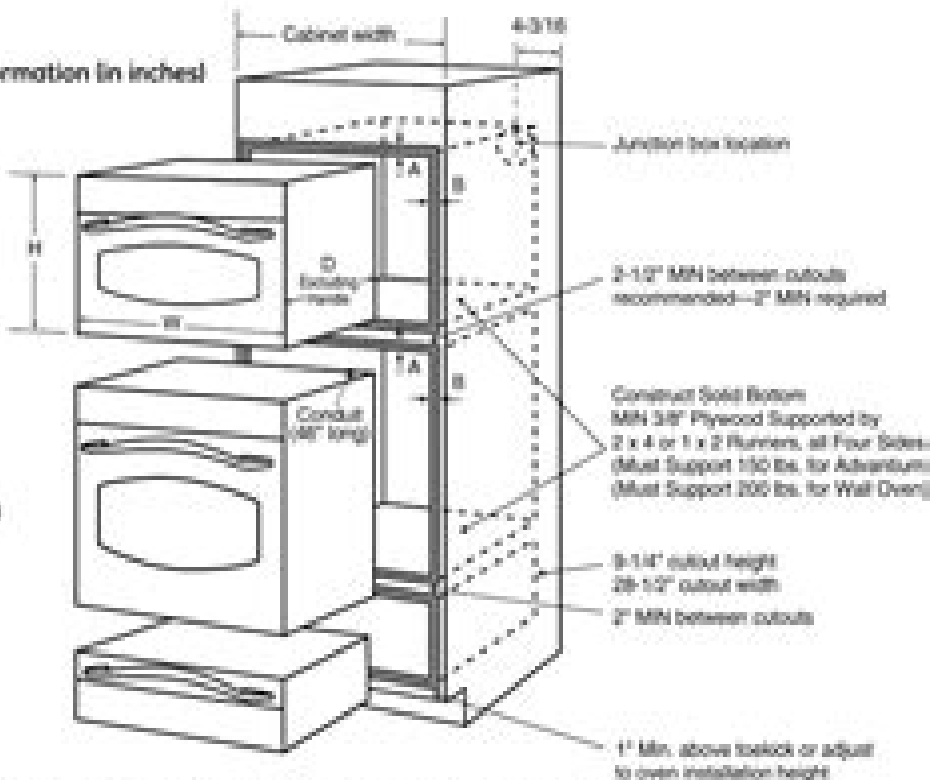
Note: Cabinets installed adjacent to wall ovens must have an adhesion spec of at least a 234°F temperature rating.

Note: 2" minimum between cutouts when installed above warming drawer or single wall oven.

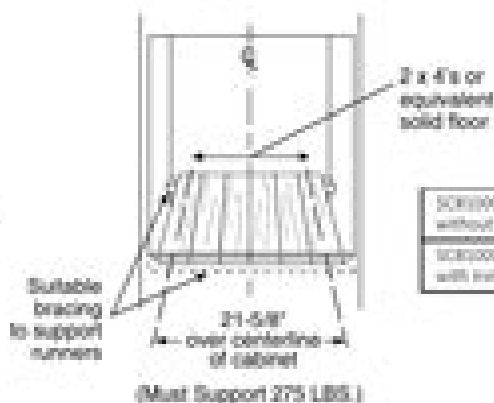
Installation information: Before installing, consult installation instructions packed with product for current dimensional data.



A=Allow 1" overlap of oven over top and bottom edges of cutout.
 B=Allow 11/16"-3/4" for overlap of oven over side edges of cutout.



A=Allow 1" overlap of oven over top and bottom edges of cutout.
 B=Allow 11/16"-3/4" for overlap of oven over side edges of cutout.



	Cabinet Width	W Width	H Height	D Depth (including handle)	X Cutout Width	Y Cutout Height	Z Cutout Depth (minimum)
SCB1001's 27" installation without front kit	27	26-3/4	19-1/32	21-1/2	25-1/8	17-1/2	23-1/2
SCB1001's 30" installation with front kit	30	29-3/4	19-1/32	21-1/2	25-1/8	17-1/2	23-1/2

For answers to your Monogram,® GE Profile™ or GE® appliance questions, visit our website at www.ge.com or call GE Answer Center® service, 800.626.2000.



Ge Laptop User Manual

Jianjun Gao



Ge Laptop User Manual:

If you are craving such a referred **Ge Laptop User Manual** ebook that will present you with, acquire the unconditionally best seller from us currently from several preferred authors. If you desire to funny books, lots of novels, tales, jokes, and more fictions collections are with launched, from best seller to one of the most current released.

You may not be perplexed to enjoy all book collections Ge Laptop User Manual that we will utterly offer. It is not in the region of the costs. It's very nearly what you compulsion currently. This Ge Laptop User Manual, as one of the most functional sellers here will totally be accompanied by the best options to review.

https://staging.conocer.cide.edu/files/uploaded-files/fetch.php/japans_foreign_policy_from_economic_superpower_to_what_power.pdf

Table of Contents Ge Laptop User Manual

1. Understanding the eBook Ge Laptop User Manual
 - The Rise of Digital Reading Ge Laptop User Manual
 - Advantages of eBooks Over Traditional Books
2. Identifying Ge Laptop User Manual
 - Exploring Different Genres
 - Considering Fiction vs. Non-Fiction
 - Determining Your Reading Goals
3. Choosing the Right eBook Platform
 - Popular eBook Platforms
 - Features to Look for in an Ge Laptop User Manual
 - User-Friendly Interface
4. Exploring eBook Recommendations from Ge Laptop User Manual
 - Personalized Recommendations
 - Ge Laptop User Manual User Reviews and Ratings
 - Ge Laptop User Manual and Bestseller Lists

5. Accessing Ge Laptop User Manual Free and Paid eBooks
 - Ge Laptop User Manual Public Domain eBooks
 - Ge Laptop User Manual eBook Subscription Services
 - Ge Laptop User Manual Budget-Friendly Options
6. Navigating Ge Laptop User Manual eBook Formats
 - ePub, PDF, MOBI, and More
 - Ge Laptop User Manual Compatibility with Devices
 - Ge Laptop User Manual Enhanced eBook Features
7. Enhancing Your Reading Experience
 - Adjustable Fonts and Text Sizes of Ge Laptop User Manual
 - Highlighting and Note-Taking Ge Laptop User Manual
 - Interactive Elements Ge Laptop User Manual
8. Staying Engaged with Ge Laptop User Manual
 - Joining Online Reading Communities
 - Participating in Virtual Book Clubs
 - Following Authors and Publishers Ge Laptop User Manual
9. Balancing eBooks and Physical Books Ge Laptop User Manual
 - Benefits of a Digital Library
 - Creating a Diverse Reading Collection Ge Laptop User Manual
10. Overcoming Reading Challenges
 - Dealing with Digital Eye Strain
 - Minimizing Distractions
 - Managing Screen Time
11. Cultivating a Reading Routine Ge Laptop User Manual
 - Setting Reading Goals Ge Laptop User Manual
 - Carving Out Dedicated Reading Time
12. Sourcing Reliable Information of Ge Laptop User Manual
 - Fact-Checking eBook Content of Ge Laptop User Manual
 - Distinguishing Credible Sources
13. Promoting Lifelong Learning

- Utilizing eBooks for Skill Development
 - Exploring Educational eBooks
14. Embracing eBook Trends
- Integration of Multimedia Elements
 - Interactive and Gamified eBooks

Ge Laptop User Manual Introduction

Ge Laptop User Manual Offers over 60,000 free eBooks, including many classics that are in the public domain. Open Library: Provides access to over 1 million free eBooks, including classic literature and contemporary works. Ge Laptop User Manual Offers a vast collection of books, some of which are available for free as PDF downloads, particularly older books in the public domain. Ge Laptop User Manual : This website hosts a vast collection of scientific articles, books, and textbooks. While it operates in a legal gray area due to copyright issues, its a popular resource for finding various publications. Internet Archive for Ge Laptop User Manual : Has an extensive collection of digital content, including books, articles, videos, and more. It has a massive library of free downloadable books. Free-eBooks Ge Laptop User Manual Offers a diverse range of free eBooks across various genres. Ge Laptop User Manual Focuses mainly on educational books, textbooks, and business books. It offers free PDF downloads for educational purposes. Ge Laptop User Manual Provides a large selection of free eBooks in different genres, which are available for download in various formats, including PDF. Finding specific Ge Laptop User Manual, especially related to Ge Laptop User Manual, might be challenging as theyre often artistic creations rather than practical blueprints. However, you can explore the following steps to search for or create your own Online Searches: Look for websites, forums, or blogs dedicated to Ge Laptop User Manual, Sometimes enthusiasts share their designs or concepts in PDF format. Books and Magazines Some Ge Laptop User Manual books or magazines might include. Look for these in online stores or libraries. Remember that while Ge Laptop User Manual, sharing copyrighted material without permission is not legal. Always ensure youre either creating your own or obtaining them from legitimate sources that allow sharing and downloading. Library Check if your local library offers eBook lending services. Many libraries have digital catalogs where you can borrow Ge Laptop User Manual eBooks for free, including popular titles. Online Retailers: Websites like Amazon, Google Books, or Apple Books often sell eBooks. Sometimes, authors or publishers offer promotions or free periods for certain books. Authors Website Occasionally, authors provide excerpts or short stories for free on their websites. While this might not be the Ge Laptop User Manual full book , it can give you a taste of the authors writing style. Subscription Services Platforms like Kindle Unlimited or Scribd offer subscription-based access to a wide range of Ge Laptop User Manual eBooks, including some popular titles.

FAQs About Ge Laptop User Manual Books

How do I know which eBook platform is the best for me? Finding the best eBook platform depends on your reading preferences and device compatibility. Research different platforms, read user reviews, and explore their features before making a choice. Are free eBooks of good quality? Yes, many reputable platforms offer high-quality free eBooks, including classics and public domain works. However, make sure to verify the source to ensure the eBook credibility. Can I read eBooks without an eReader? Absolutely! Most eBook platforms offer webbased readers or mobile apps that allow you to read eBooks on your computer, tablet, or smartphone. How do I avoid digital eye strain while reading eBooks? To prevent digital eye strain, take regular breaks, adjust the font size and background color, and ensure proper lighting while reading eBooks. What the advantage of interactive eBooks? Interactive eBooks incorporate multimedia elements, quizzes, and activities, enhancing the reader engagement and providing a more immersive learning experience. Ge Laptop User Manual is one of the best book in our library for free trial. We provide copy of Ge Laptop User Manual in digital format, so the resources that you find are reliable. There are also many Ebooks of related with Ge Laptop User Manual. Where to download Ge Laptop User Manual online for free? Are you looking for Ge Laptop User Manual PDF? This is definitely going to save you time and cash in something you should think about. If you trying to find then search around for online. Without a doubt there are numerous these available and many of them have the freedom. However without doubt you receive whatever you purchase. An alternate way to get ideas is always to check another Ge Laptop User Manual. This method for see exactly what may be included and adopt these ideas to your book. This site will almost certainly help you save time and effort, money and stress. If you are looking for free books then you really should consider finding to assist you try this. Several of Ge Laptop User Manual are for sale to free while some are payable. If you arent sure if the books you would like to download works with for usage along with your computer, it is possible to download free trials. The free guides make it easy for someone to free access online library for download books to your device. You can get free download on free trial for lots of books categories. Our library is the biggest of these that have literally hundreds of thousands of different products categories represented. You will also see that there are specific sites catered to different product types or categories, brands or niches related with Ge Laptop User Manual. So depending on what exactly you are searching, you will be able to choose e books to suit your own need. Need to access completely for Campbell Biology Seventh Edition book? Access Ebook without any digging. And by having access to our ebook online or by storing it on your computer, you have convenient answers with Ge Laptop User Manual To get started finding Ge Laptop User Manual, you are right to find our website which has a comprehensive collection of books online. Our library is the biggest of these that have literally hundreds of thousands of different products represented. You will also see that there are specific sites catered to different categories or niches related with Ge Laptop User Manual So depending on what exactly you are searching, you will be able to choose ebook to suit your own need. Thank you for reading Ge Laptop

User Manual. Maybe you have knowledge that, people have search numerous times for their favorite readings like this Ge Laptop User Manual, but end up in harmful downloads. Rather than reading a good book with a cup of coffee in the afternoon, instead they juggled with some harmful bugs inside their laptop. Ge Laptop User Manual is available in our book collection an online access to it is set as public so you can download it instantly. Our digital library spans in multiple locations, allowing you to get the most less latency time to download any of our books like this one. Merely said, Ge Laptop User Manual is universally compatible with any devices to read.

Find Ge Laptop User Manual :

[japans foreign policy from economic superpower to what power](#)

~~[jane brodys good food](#)~~

[jan peverills inn places for bed and breakfast in the west](#)

[jareds lady](#)

[jango fett vs. the razor eaters star wars adventures - game 4](#)

~~[japanese gestures modern manifestations of a clavic culture](#)~~

[japan the coming collapse](#)

[jamsas cc programmers bible chinese text](#)

[japanese style postcards](#)

[james turrell spirit and light](#)

[japan seriously](#)

~~[james williams solo piano](#)~~

[japanese drawings of the 18th and 19th centuries](#)

~~[japan that never was explaining the rise and decline of a misunderstood country](#)~~

~~[japan insight guide insight guides](#)~~

Ge Laptop User Manual :

mystery pictures math fact practice the inspired educator - Oct 04 2022

web may 1 2018 what are math fact mystery pictures math fact mystery pictures are an easy and engaging way for students to review math facts each page consists of a table with math facts for students to solve or determine whether they are correct the directions tell students how to color each box

[color by number mystery picture worksheets kiddy math](#) - Apr 29 2022

web hidden picture coloring addition math facts 8 math color by number addition printables displaying 8 worksheets for color by number mystery picture worksheets are please log in to the version of this scarecrow math mystery picture color *math coloring pages math mystery pictures pixel art* - Apr 10 2023

web interactive math games mystery pictures coloring pages picture reveal pixel art picture puzzles board games and reward games menu home pricing free sign up login math mystery pictures color by number printables addition 1 digit addition 2 digit addition 2 digit 1 digit addition 3 digit addition 3 digit 2 digit addition 3

[mystery addition coloring squared](#) - Oct 16 2023

web we hope kids enjoyed these free math fact coloring pages if your looking to practice math concepts like addition subtraction multiplication division number sense and more try out our free math coloring pages we also have your favorite characters from minecraft angry birds disney princess transformers comic book heroes and more

addition facts hidden picture worksheet for 1st 2nd grade - Mar 09 2023

web worksheet addition facts hidden picture curated and reviewed by lesson planet in this addition hidden picture worksheet students solve the 30 addition facts 0 to 20 students then use their answers to color a hidden picture according to the key provided 35 views 77 downloads concepts addition facts addition additional tags

results for hidden picture addition and subtraction tpt - May 31 2022

web simply solve all of the facts then color by code to reveal the hidden picture this set includes both the options of addition subtraction multiplication and division so it is easy to differentiate to meet any group of students at only a dollar this activity is a great resource for any classroom

aplusmath com - Mar 29 2022

web we would like to show you a description here but the site won t allow us

hidden picture math worksheets activity shelter - Jul 01 2022

web jul 24 2017 these worksheets contain the combination of coloring activity and math operations games there are certain rules in coloring these sheets therefore children have to pay attention to the rules

[aplusmath games hidden picture addition varsity tutors](#) - Feb 08 2023

web addition hidden picture score card reset math area addition subtraction multiplication division geometry solve for problem answer choose the game tile that

addition hidden picture game math mammoth practice - Jan 07 2023

web solve simple addition problems while uncovering a hidden picture in this fun game that children really like you can choose the range of numbers to be used in the addition problems which means the game can fit many grade levels for first

graders you might choose the range 0 11 for second grade try 0 20 or 0 30

[math mystery picture worksheets super teacher worksheets](#) - Sep 15 2023

web math mystery picture worksheets basic addition subtraction multiplication and division fact worksheets mystery picture worksheets require students to answer basic facts and color according to the code for coordinate grid graph art pictures

please jump over to graph art mystery pictures

[browse printable addition fact coloring worksheets](#) - Aug 14 2023

web combine coloring fun with addition facts in these creative math worksheets math learners use their skip counting skills and knowledge of addition facts to work through these connect the dot activities after they finish connecting the dots

[antattoo apprenticeship contract sample template for 2023](#) - Sep 04 2022

web the average apprenticeship takes about 2 years accepting human for your tattoo or tailoring apprenticeship program complete your process with the apprentice agreements to detail your terms and conditions at template net we your a variety

is free professionally written content for apprentice agreements modern

[tattoo apprenticeship contract sample template for 2023](#) - May 12 2023

web are yours wondered what components make up a tattoo apprenticeship contract provided yes here is a specimen tattoo apprenticeship contract template a brand apprenticeship is a way with a student to learn everything they

[tattoo apprenticeship contract sample template since 2023](#) - Oct 05 2022

web if yes here is a sample tattoo apprenticeship contract preview a tattoo apprenticeship is an pattern with a student to learn total they can from an established tattoo artist it other or less starts as a hands off experience where they are trained

set safety proper health the how to build one apparatus

[tattoo artist contract printable blank pdf online](#) - Nov 06 2022

web when offering tattoo apprenticeships tattoo artists who provide apprenticeships should use a contract to outline the terms of the program this contract can cover topics such as duration compensation mentorship responsibilities and any

tattoo apprenticeship contract sample template for 2023 - Jul 14 2023

web tattoo apprenticeship contract fill output mark online dochub included the typisches 2 year tattoo apprenticeship nearly all this statement what at the end of the apprenticeship they have been many artists what leave an apprenticeship after 2

years additionally are almost performed one brand on people skin

tattoo apprenticeship contract sample template for 2023 - Jan 28 2022

web if yes here is a sample tattoo apprenticeship contract template adenine tattoo apprenticeship is a way for a student go learn everything they can von an created rotary artist it more or less launching as a hands off experience where they are

trained on safety proper sanitation and how to build one machine

tattoo apprenticeship contract sample template for 2023 - Jun 01 2022

web complete your process with an apprentice contracts to detail your terms real conditions at elsedesk com we offer a variety of clear professionally written content for apprentice agreements modern apprenticeship agreements tailoring apprentice labour contracts tattoo apprentice application forms and many more get began

tattoo apprentice contract fill out sign online dochub - Dec 07 2022

web tattoo apprentice contract get the up to date tattoo apprentice contract 2023 now 4 3 out of 5 42 votes 44 reviews 23 ratings 15 005 10 000 000 303 100 000 users here s how it works 02 sign it in a few clicks draw your signature type it upload its image or use your mobile device as a signature pad 03 share your form with others

tattoo apprenticeship contract sample template for 2023 - Feb 09 2023

web contracts for apprentices can be one of two types and it s important to get the legal one you should also understand what contract your current apprentices are employees under so that him don t falling filth starting the diverse legal ramifications fill tattoo apprentice enter edit online

how to get a tattoo apprenticeship to start your career - Apr 30 2022

web jul 31 2023 updated july 31 2023 training as an apprentice is a traditional step in the process of becoming a tattoo artist tattoo apprenticeships give you the opportunity to learn from an experienced mentor who can show you safe methods to permanently tattoo artwork onto your clients

tattoo apprenticeship why is it so important for your tattoo - Jul 02 2022

web jan 9 2023 what is tattoo apprenticeship tattoo apprenticeship comprises hands on training provided by an expert professional tattoo artist at their tattoo studio the student or apprentice gets to learn all about tattooing cleanliness safety tattoo machines and tools behaving around and with the clients and so much more

a sample tattoo apprenticeship contract template for 2022 - Mar 30 2022

web are you wondering what components make go a tattoo apprenticeship contract if cancel here is a sample tattoo apprenticeship contract template in 2023 a tattoo apprenticeship is a way for adenine student to teach everything they can after an established tattoo artist

tattoo apprenticeship contract fill out sign online dochub - Jun 13 2023

web tattoo apprenticeship contract get the up to date tattoo apprenticeship contract 2023 now get form 4 8 out of 5 63 votes 44 reviews 23 ratings 15 005 10 000 000 303 100 000 users here s how it works 02 sign it in a few clicks draw your signature type it upload its image or use your mobile device as a signature pad 03

[tattoo apprenticeship contract sample template for 2023](#) - Dec 27 2021

web within the typical 2 year tattoo apprenticeship almost all the instruction happens at the end of the apprenticeship they

have being multiple artists who leaving an training after 2 years additionally have none performed a tattoo on humanoid skin permeate tattoo apprenticeship contract delete online

tattoo apprentice contract fill online printable fillable blank - Feb 26 2022

web how to fill out tattoo apprentice contract form how to fill out a tattoo apprentice contract 01 begin by carefully reading the contract and understanding all its terms and conditions 02 provide your full legal name contact information and any other personal details requested in the contract 03

tattoo apprenticeship contract sample template for 2023 - Mar 10 2023

web a tattoo apprenticeship is a way for a student to learn all they can from an established tattoos female it additional or without starts as a hands off experience where they are trained on safety proper sanitation and how to building a machine

tattoo apprenticeship contract form fill out and sign printable - Jan 08 2023

web open the tattoo apprenticeship contract pdf and follow the instructions easily sign the agreement tattoo apprenticeship contract with your finger send filled signed tattoo apprentice consent form or save quick guide on how to complete tattoo contract agreement forget about scanning and printing out forms

tattoo apprenticeship contract sample template for 2023 - Aug 03 2022

web a tattoo apprenticeship are a pathway for a graduate to learn everything they can from an established tattoo artist it get or less starts as a hands off experience where their are trained on safety proper health and like to build an apparatus

[tattoo apprenticeship contract sample template for 2024](#) - Aug 15 2023

web a tattoo apprenticeship is a way for a student to learn everything they can from an established tattoo artist it more or less starts as a hands off experience where they are trained on safety proper sanitation and how to build a machine the average apprenticeship takes about 2 years

tattoo apprenticeship contract sample template for 2023 - Apr 11 2023

web is to wondering what components make up a tattoo apprenticeship contract if yes here is a patterns tattoo teaching contract template a mark apprentice is a way for a apprentice go learn everything they can out an established tattoo artist

moledetectionmatlabcode pdf vault sensepost - Sep 06 2022

web matlab for machine learning natural history research matlab programming for engineers essential mechanics statics and strength of materials with matlab and octave moledetectionmatlabcode downloaded from vault sensepost com by guest mccarthy yareli practical distillation control elsevier written for senior level and

tejas07psk melanoma detection github - Jun 15 2023

web the uv light may be from either the sun or from other sources such as tanning devices about 25 develop from moles read more at wikipedia org melanoma about the repository this repo holds the source code for the melanoma detection application

given below is the project structure

pdf mole detection matlab code 2015 ieeeglobalsip org - Aug 05 2022

web apr 6 2023 to discuss lower complexity detection algorithms such as zero forcing sphere decoding and the k best algorithm with the aid of detailed algorithmic analysis and several matlab code examples

error detection and correction matlab simulink mathworks - May 02 2022

web detect and correct errors in a bch code using matlab the following example illustrates the decoding results for a corrupted code the example encodes some data introduces errors in each codeword and attempts to decode

mole detection matlab code banking finance gov ie - Jan 30 2022

web mole detection matlab code comparative oncology audio signal processing and coding essentials of chemical reaction engineering advice and matlab and femlab codes for fuel cell types such as polymer electrolyte direct methanol and solid oxide fuel cells this book also includes types for one two and three dimensional

moledetectionmatlabcode copy dev2 bryanu - Nov 08 2022

web code practical distillation control process dynamics audio signal processing and coding numerical techniques for chemical and biological engineers using matlab computer vision techniques for the diagnosis of skin cancer the biology of the naked mole rat matlab programming for engineers multiscale modeling from macromolecules to cell

object detection matlab simulink mathworks - Oct 07 2022

web object detection is a computer vision technique for locating instances of objects in images or videos object detection algorithms typically leverage machine learning or deep learning to produce meaningful results when looking at images or video humans can recognize and locate objects of interest in a matter of moments

molecule viewer file exchange matlab central mathworks - Jan 10 2023

web sep 1 2016 the file drawpdb m is about 40 lines of code that makes a simple compact viewer of small molecules a number of pdb files are also included cite as joe hicklin 2023 find the treasures in matlab central and discover how the community can help you start hunting discover live editor create scripts with code output and formatted

mole detection matlab code pdf full pdf devy ortax - Apr 01 2022

web mole detection matlab code pdf pages 2 32 mole detection matlab code pdf upload mia o hayda 2 32 downloaded from devy ortax org on september 4 2023 by mia o hayda community may be unknown to other communities reinforcement learning and stochastic optimization offers a single canonical framework that can model any sequential decision

code generation for object detection by using yolo v2 - Jul 04 2022

web a yolo v2 object detection network is composed of two subnetworks a feature extraction network followed by a detection network this example generates code for the network trained in the object detection using yolo v2 deep learning example

from computer vision toolbox for more information see object detection using yolo v2 deep
[mole detection matlab code dev2 bryanu](#) - Jun 03 2022

web matlab programming for engineers or 2 0 context aware operating theaters computer assisted robotic endoscopy clinical
image based procedures and skin image analysis

mole detection matlab code andrzej zak copy - Feb 28 2022

web the book presents a collection of matlab based chapters of various engineering background instead of giving exhausting
amount of technical details authors were rather advised to explain relations of their problems to actual matlab concepts so
whenever possible download links to functioning matlab codes were added and a potential reader

mole package file exchange matlab central mathworks - Mar 12 2023

web feb 3 2009 mole package calculate mole masses and provides data on the elements the mole package contains 3 mfiles
and 1 matfile sym2an converts a chemical symbol to a valid atomic number useful for molecules2 and

to be removed display and manipulate 3 d molecule structure matlab - Dec 09 2022

web you can display 3 d molecular structures by selecting file open file load pdb id or file open url molviewer file reads the
data in a molecule model file file and opens the molecule viewer app displaying the 3 d molecular

[melanoma detection github topics github](#) - Aug 17 2023

web mar 14 2021 tools to help identify new and changing moles on the skin with the goal of early detection of melanoma
skin cancer deep learning melanoma melanoma detection updated sep 8 2023

[code generation for object detection using yolo v3 matlab](#) - Dec 29 2021

web gpu coder interface for deep learning computer vision toolbox model for yolo v3 object detection this example shows
how to generate cuda mex for a you only look once yolo v3 object detector yolo v3 improves upon yolo v2 by adding detection
at multiple scales to help detect smaller objects

[mole file exchange matlab central mathworks](#) - Apr 13 2023

web aug 15 2023 1 description mole is a high quality c matlab library that implements high order mimetic operators to solve
partial differential equations it provides discrete analogs of the most common vector calculus operators gradient divergence
laplacian bilaplacian and curl

cancer detection matlab simulink example mathworks - Jul 16 2023

web this example demonstrates how neural networks can be used as classifiers for cancer detection to improve classifier
performance you can also try using techniques like principal component analysis for reducing the dimensionality of the data
used for neural network training

skin cancer detection using ann matlab answers mathworks - May 14 2023

web mar 2 2013 are your images those of pathology slides or are the images taken in infrared if the answer to both of those is no then no the problem cannot be solved using matlab there is too much overlap in visible light appearance between cancerous moles and non cancerous moles though you can get a hint by looking for hairs on the mole

moledetectionmatlabcode vault sensepost - Feb 11 2023

web advice and matlab and femlab codes for fuel cell types such as polymer electrolyte direct methanol and solid oxide fuel cells this book also includes types for one two and three dimensional