

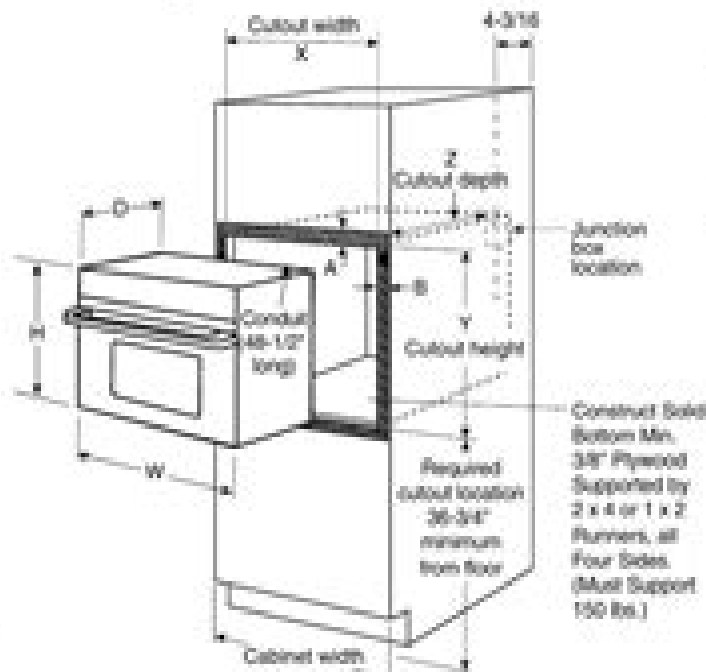
GE Profile Advantium® 120 Wall Oven

Advantium wall oven/GE Profile cooking tower dimensions and cabinet installation information (in inches)

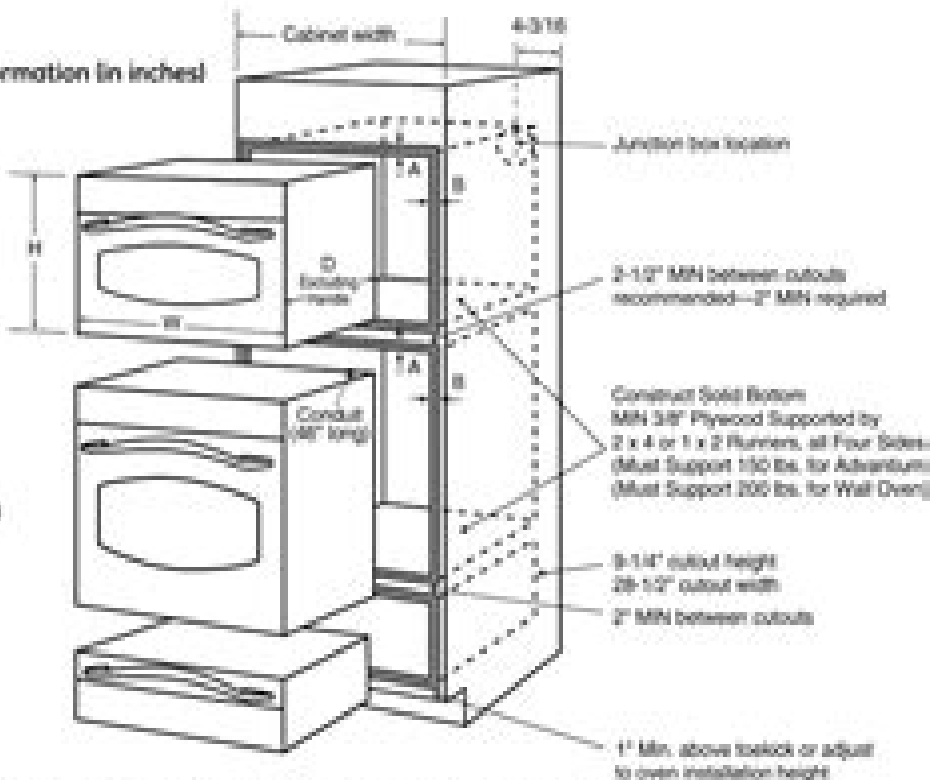
Note: Cabinets installed adjacent to wall ovens must have an adhesion spec of at least a 234°F temperature rating.

Note: 2" minimum between cutouts when installed above warming drawer or single wall oven.

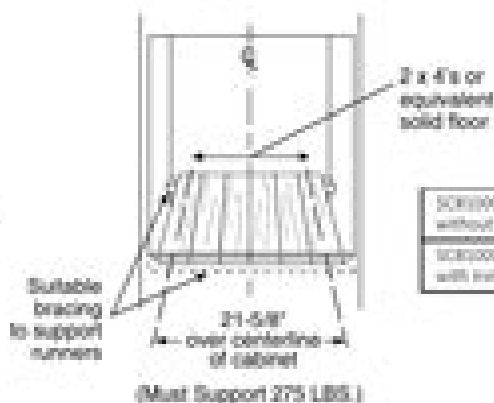
Installation information: Before installing, consult installation instructions packed with product for current dimensional data.



A=Allow 1" overlap of oven over top and bottom edges of cutout.
B=Allow 11/16"-3/4" for overlap of oven over side edges of cutout.



A=Allow 1" overlap of oven over top and bottom edges of cutout.
B=Allow 11/16"-3/4" for overlap of oven over side edges of cutout.



	Cabinet Width	W Width	H Height	D Depth (including handle)	X Cutout Width	Y Cutout Height	Z Cutout Depth (minimum)
SCB1001's 27" installation without front kit	27	26-3/4	19-1/32	21-1/2	25-1/8	17-1/2	23-1/2
SCB1001's 30" installation with front kit	30	29-3/4	19-1/32	21-1/2	25-1/8	17-1/2	23-1/2



imagination at work



Ge Case User Manual

K Payea



Ge Case User Manual:

Immerse yourself in heartwarming tales of love and emotion with Explore Love with its touching creation, Experience Love's Journey in **Ge Case User Manual**. This emotionally charged ebook, available for download in a PDF format (PDF Size: *), is a celebration of love in all its forms. Download now and let the warmth of these stories envelop your heart.

https://staging.conocer.cide.edu/public/book-search/Documents/further_than_the_furthest_thing.pdf

Table of Contents Ge Case User Manual

1. Understanding the eBook Ge Case User Manual
 - The Rise of Digital Reading Ge Case User Manual
 - Advantages of eBooks Over Traditional Books
2. Identifying Ge Case User Manual
 - Exploring Different Genres
 - Considering Fiction vs. Non-Fiction
 - Determining Your Reading Goals
3. Choosing the Right eBook Platform
 - Popular eBook Platforms
 - Features to Look for in an Ge Case User Manual
 - User-Friendly Interface
4. Exploring eBook Recommendations from Ge Case User Manual
 - Personalized Recommendations
 - Ge Case User Manual User Reviews and Ratings
 - Ge Case User Manual and Bestseller Lists
5. Accessing Ge Case User Manual Free and Paid eBooks
 - Ge Case User Manual Public Domain eBooks
 - Ge Case User Manual eBook Subscription Services
 - Ge Case User Manual Budget-Friendly Options
6. Navigating Ge Case User Manual eBook Formats

- ePub, PDF, MOBI, and More
- Ge Case User Manual Compatibility with Devices
- Ge Case User Manual Enhanced eBook Features
- 7. Enhancing Your Reading Experience
 - Adjustable Fonts and Text Sizes of Ge Case User Manual
 - Highlighting and Note-Taking Ge Case User Manual
 - Interactive Elements Ge Case User Manual
- 8. Staying Engaged with Ge Case User Manual
 - Joining Online Reading Communities
 - Participating in Virtual Book Clubs
 - Following Authors and Publishers Ge Case User Manual
- 9. Balancing eBooks and Physical Books Ge Case User Manual
 - Benefits of a Digital Library
 - Creating a Diverse Reading Collection Ge Case User Manual
- 10. Overcoming Reading Challenges
 - Dealing with Digital Eye Strain
 - Minimizing Distractions
 - Managing Screen Time
- 11. Cultivating a Reading Routine Ge Case User Manual
 - Setting Reading Goals Ge Case User Manual
 - Carving Out Dedicated Reading Time
- 12. Sourcing Reliable Information of Ge Case User Manual
 - Fact-Checking eBook Content of Ge Case User Manual
 - Distinguishing Credible Sources
- 13. Promoting Lifelong Learning
 - Utilizing eBooks for Skill Development
 - Exploring Educational eBooks
- 14. Embracing eBook Trends
 - Integration of Multimedia Elements
 - Interactive and Gamified eBooks

Ge Case User Manual Introduction

Free PDF Books and Manuals for Download: Unlocking Knowledge at Your Fingertips In today's fast-paced digital age, obtaining valuable knowledge has become easier than ever. Thanks to the internet, a vast array of books and manuals are now available for free download in PDF format. Whether you are a student, professional, or simply an avid reader, this treasure trove of downloadable resources offers a wealth of information, conveniently accessible anytime, anywhere. The advent of online libraries and platforms dedicated to sharing knowledge has revolutionized the way we consume information. No longer confined to physical libraries or bookstores, readers can now access an extensive collection of digital books and manuals with just a few clicks. These resources, available in PDF, Microsoft Word, and PowerPoint formats, cater to a wide range of interests, including literature, technology, science, history, and much more. One notable platform where you can explore and download free Ge Case User Manual PDF books and manuals is the internet's largest free library. Hosted online, this catalog compiles a vast assortment of documents, making it a veritable goldmine of knowledge. With its easy-to-use website interface and customizable PDF generator, this platform offers a user-friendly experience, allowing individuals to effortlessly navigate and access the information they seek. The availability of free PDF books and manuals on this platform demonstrates its commitment to democratizing education and empowering individuals with the tools needed to succeed in their chosen fields. It allows anyone, regardless of their background or financial limitations, to expand their horizons and gain insights from experts in various disciplines. One of the most significant advantages of downloading PDF books and manuals lies in their portability. Unlike physical copies, digital books can be stored and carried on a single device, such as a tablet or smartphone, saving valuable space and weight. This convenience makes it possible for readers to have their entire library at their fingertips, whether they are commuting, traveling, or simply enjoying a lazy afternoon at home. Additionally, digital files are easily searchable, enabling readers to locate specific information within seconds. With a few keystrokes, users can search for keywords, topics, or phrases, making research and finding relevant information a breeze. This efficiency saves time and effort, streamlining the learning process and allowing individuals to focus on extracting the information they need. Furthermore, the availability of free PDF books and manuals fosters a culture of continuous learning. By removing financial barriers, more people can access educational resources and pursue lifelong learning, contributing to personal growth and professional development. This democratization of knowledge promotes intellectual curiosity and empowers individuals to become lifelong learners, promoting progress and innovation in various fields. It is worth noting that while accessing free Ge Case User Manual PDF books and manuals is convenient and cost-effective, it is vital to respect copyright laws and intellectual property rights. Platforms offering free downloads often operate within legal boundaries, ensuring that the materials they provide are either in the public domain or authorized for distribution. By adhering to copyright laws, users can enjoy the benefits of free access to knowledge while supporting the authors and publishers who make these resources

available. In conclusion, the availability of Ge Case User Manual free PDF books and manuals for download has revolutionized the way we access and consume knowledge. With just a few clicks, individuals can explore a vast collection of resources across different disciplines, all free of charge. This accessibility empowers individuals to become lifelong learners, contributing to personal growth, professional development, and the advancement of society as a whole. So why not unlock a world of knowledge today? Start exploring the vast sea of free PDF books and manuals waiting to be discovered right at your fingertips.

FAQs About Ge Case User Manual Books

How do I know which eBook platform is the best for me? Finding the best eBook platform depends on your reading preferences and device compatibility. Research different platforms, read user reviews, and explore their features before making a choice. Are free eBooks of good quality? Yes, many reputable platforms offer high-quality free eBooks, including classics and public domain works. However, make sure to verify the source to ensure the eBook credibility. Can I read eBooks without an eReader? Absolutely! Most eBook platforms offer webbased readers or mobile apps that allow you to read eBooks on your computer, tablet, or smartphone. How do I avoid digital eye strain while reading eBooks? To prevent digital eye strain, take regular breaks, adjust the font size and background color, and ensure proper lighting while reading eBooks. What the advantage of interactive eBooks? Interactive eBooks incorporate multimedia elements, quizzes, and activities, enhancing the reader engagement and providing a more immersive learning experience. Ge Case User Manual is one of the best book in our library for free trial. We provide copy of Ge Case User Manual in digital format, so the resources that you find are reliable. There are also many Ebooks of related with Ge Case User Manual. Where to download Ge Case User Manual online for free? Are you looking for Ge Case User Manual PDF? This is definitely going to save you time and cash in something you should think about. If you trying to find then search around for online. Without a doubt there are numerous these available and many of them have the freedom. However without doubt you receive whatever you purchase. An alternate way to get ideas is always to check another Ge Case User Manual. This method for see exactly what may be included and adopt these ideas to your book. This site will almost certainly help you save time and effort, money and stress. If you are looking for free books then you really should consider finding to assist you try this. Several of Ge Case User Manual are for sale to free while some are payable. If you arent sure if the books you would like to download works with for usage along with your computer, it is possible to download free trials. The free guides make it easy for someone to free access online library for download books to your device. You can get free download on free trial for lots of books categories. Our library is the biggest of these that have literally hundreds of thousands of different products categories represented. You will also see that

there are specific sites catered to different product types or categories, brands or niches related with Ge Case User Manual. So depending on what exactly you are searching, you will be able to choose e books to suit your own need. Need to access completely for Campbell Biology Seventh Edition book? Access Ebook without any digging. And by having access to our ebook online or by storing it on your computer, you have convenient answers with Ge Case User Manual To get started finding Ge Case User Manual, you are right to find our website which has a comprehensive collection of books online. Our library is the biggest of these that have literally hundreds of thousands of different products represented. You will also see that there are specific sites catered to different categories or niches related with Ge Case User Manual So depending on what exactly you are searching, you will be able to choose ebook to suit your own need. Thank you for reading Ge Case User Manual. Maybe you have knowledge that, people have search numerous times for their favorite readings like this Ge Case User Manual, but end up in harmful downloads. Rather than reading a good book with a cup of coffee in the afternoon, instead they juggled with some harmful bugs inside their laptop. Ge Case User Manual is available in our book collection an online access to it is set as public so you can download it instantly. Our digital library spans in multiple locations, allowing you to get the most less latency time to download any of our books like this one. Merely said, Ge Case User Manual is universally compatible with any devices to read.

Find Ge Case User Manual :

further than the furthest thing

fusee 4 edexcel assessment pack

fundamentals of computational neuroscience

furniture finishes

fundamentals of investments w/student cd + stock-trak + powerweb

funerals without god

fundamentals of machine component design

fundamentals of accounting an applications approach course 1

~~further experiences with the elements of jazz~~

funk wagnalls standard desk dictionary

~~furniture of john henry belter and the rococo revival the~~

fundamentals of cognitive psychology

furniture refinishing and repair made easy

~~fundamentals of cad.~~

furneb iron

Ge Case User Manual :

[cannibale by didier daeninckx open library](#) - Aug 26 2022

web cannibale by didier daeninckx the storygraph didier daeninckx 92 pages first pub 1998 editions fiction reflective medium paced description 1931 l exposition coloniale

didier daeninckx auteur de cannibale babelio - Jan 31 2023

web jun 29 2001 cannibale poche prix goncourt de la nouvelle didier daeninckx note moyenne 10 notes donner un avis extrait gocéné le vieux kanak a vu beaucoup de

cannibale by didier daeninckx the storygraph - Dec 18 2021

cannibale classiques et contemporains magnard - Oct 28 2022

web nov 10 1999 published july 2001 by magnard paperback 108 pages more details want to read rate this book 1 of 5 stars 2 of 5 stars 3 of 5 stars 4 of 5 stars 5 of 5 stars per

cannibale de didier daeninckx poche livre decitre - May 23 2022

[amazon fr cannibale daeninckx didier livres](#) - Dec 30 2022

web pour la collection classiques contemporains didier daeninckx a accepté de répondre aux questions de josiane grinfas auteur de l appareil pédagogique de

[didier daeninckx cannibale resume youtube](#) - Jan 19 2022

[editions of cannibale by didier daeninckx goodreads](#) - Feb 17 2022

books by didier daeninckx author of cannibale goodreads - May 03 2023

web december 1 2020 history edit an edition of cannibale re cit 1998 cannibale re cit by didier daeninckx 0 ratings 2 want to read 0 currently reading 0 have read this

cannibale didier daeninckx résumé avec fiche schoolmouv - Mar 21 2022

[cannibale didier daeninckx google books](#) - Mar 01 2023

web sep 12 2018 didier daeninckx narrateur gaël kamilindi livre audio date de publication livre audio 12 septembre 2018

essayez storytel extrait 3 Évaluations

didier daeninckx parle de cannibale classiques et - Apr 21 2022

cannibale didier daeninckx senscritique - Nov 28 2022

web cannibale genre roman personnages thèmes résumé citation télécharger le pdf fiche de lecture sur cannibale didier daeninckx résumé personnages

cannibale poche didier daeninckx achat livre ou - Apr 02 2023

web résumé de l'œuvre cannibale de didier daeninckx l'histoire se déroule vers la fin des années 90 gocéné et francis carroz un ami chauffeur se rendent à tendo dans un

didier daeninckx cannibale résumé personnages et analyse - Jul 25 2022

web résumé de cannibale de didier daeninckx le petit lecteur 7 min à lire résumé cannibale didier daeninckx cannibale ou l'emprise colonialiste didier daeninckx

résumé de cannibale de didier daeninckx le petit lecteur - Nov 16 2021

cannibale livre audio didier daeninckx audible fr - Sep 26 2022

web mar 4 2021 didier daeninckx cannibale resume ahmed jabrani 8 47k subscribers subscribe 9 2k views 2 years ago didier daeninckx cannibale

cannibale didier daeninckx babelio - Jul 05 2023

web cannibale classiques et contemporains mai 2001 144 pages isbn 978 2 210 75411 9 didier daeninckx commentaires de josiane grinfas tiré d'un fait réel ce célèbre

booknotes didier daeninckx cannibale bulldozia - Jun 04 2023

web cannibale le livre audio de didier daeninckx à télécharger Écoutez gratuitement l'audiobook cannibale en français avec l'offre d'essai audible

cannibale daeninckx didier 1949 free download - Aug 06 2023

web de didier daeninckx auteur 4 5 1 661 évaluations afficher tous les formats et éditions poche 5 50 251 autres d'occasion 21 autres neuf 2 autres de collection paris 1931

cannibale livre audio didier daeninckx storytel - Jun 23 2022

cannibale by didier daeninckx goodreads - Sep 07 2023

web cannibale didier daeninckx gallimard 1998 fiction 107 pages inspiré par un fait authentique le récit déroule l'intrigue sur

fond du paris des années trente ses

cannibale livre wikipédia - Oct 08 2023

web didier daeninckx has 198 books on goodreads with 7139 ratings didier daeninckx s most popular book is cannibale

fahrenheit 451 study guide gradesaver - May 13 2023

web study guide for fahrenheit 451 fahrenheit 451 is based on a short story called the fireman written by bradbury in 1951 and later expanded into a full novel in 1953 the fahrenheit 451 study guide contains a biography of ray bradbury literature essays quiz questions major themes characters and a full summary and analysis about

fahrenheit 451 study questions and answers part 1 studylib net - Jun 14 2023

web fahrenheit 451 study questions and answers part 1 advertisement fahrenheit 451 the temperature at which book paper catches fire and burns ray bradbury part one the hearth and the salamander part 1 the hearth and the salamander 1 a when does this story take place

fahrenheit 451 study guide final exam - Dec 28 2021

web free practice test instructions choose your answer to the question and click continue to see how you did then click next question to answer the next question when you have completed the

study guide questions for fahrenheit 451 answer key - Nov 07 2022

web fahrenheit 451 symbols sparknotes the title of the second part of fahrenheit 451 the sieve and the sand is taken from montag s childhood memory of trying to fill a sieve with sand on the beach to get a dime from a mischievous cousin and crying at the futility of the task he compares this memory to his attempt to read the whole

fahrenheit 451 unit test study guide answer key docx course hero - Dec 08 2022

web fahrenheit 451 unit test study guide answer key part i short answer directions answer each question correctly does not have to be a complete sentence part 1 the hearth and the salamander 1 what is the significance of montag seeing his reflection in clarisse s eyes montag sees himself as he really is for the very first

fahrenheit 451 study guide course hero - Sep 05 2022

web summary this study guide and infographic for ray bradbury s fahrenheit 451 offer summary and analysis on themes symbols and other literary devices found in the text explore course hero s library of literature materials including documents and q a pairs

study guide questions fahrenheit 451 flashcards quizlet - Oct 06 2022

web sweet and sour too lazy to have to read parts of your study guide then look no further here s a study guide for fahrenheit 451 source krucli tom fahrenheit questions

study guide questions for fahrenheit 451 pdf scribd - May 01 2022

web study guide questions for fahrenheit 451 as you read each section of the novel answer the following questions these questions should act as a reading guide and will be checked at the end of each part remember to support

short answer study guide questions fahrenheit 451 - Apr 12 2023

web short answer study guide questions fahrenheit 451 5 0 4 reviews who is guy montag and what is his job click the card to flip a 30 yr old fireman who starts fires to burn books instead of putting them out click the card to flip 1 44 flashcards learn test match q chat created by quiztest study terms in this set 44

fahrenheit 451 discussion questions and study guide quia - Jan 29 2022

web answer briefly the following questions part one the hearth and the salamander 1 the novel fahrenheit 451 begins it was a pleasure to burn why does ray bradbury start the novel in this way why might it be more pleasurable to burn books rather than read them 2 in the opening scene why are the books compared to birds 3

study guide questions for fahrenheit 451 study com - Feb 27 2022

web if you re using fahrenheit 451 with your students here s a study guide with review questions that will help them feel confident about their understanding of the book this study guide covers

fahrenheit 451 study guide part 1 the hearth and the salamander quizlet - Jul 03 2022

web study with quizlet and memorize flashcards containing terms like what do the firemen do for a living what was written on the firemen s helmets what are two professional symbols montag wears and more

fahrenheit 451 study guide flashcards quizlet - Mar 11 2023

web study with quizlet and memorize flashcards containing terms like what do the firemen do for a living why is this ironic in the opening scene why are the books compared to birds according to pages 3 4 what does montag think of his job and more

fahrenheit 451 questions answers sparknotes - Jun 02 2022

web when mildred asks him why anyone would want to read or discuss books montag replies passionately pointing to a number of troubling recent events mildred s sleeping pill overdose the accident that killed clarisse the suicide of the woman who refused to part with her books and the ongoing threat of nuclear war

fahrenheit 451 study guide literature guide litcharts - Jul 15 2023

web welcome to the litcharts study guide on ray bradbury s fahrenheit 451 created by the original team behind sparknotes litcharts are the world s best literature guides fahrenheit 451 introduction a concise biography of ray bradbury plus historical and literary context for fahrenheit 451 fahrenheit 451 plot summary

fahrenheit 451 exam answer key supersummary - Feb 10 2023

web thanks for exploring this supersummary study guide of fahrenheit 451 by ray bradbury a modern alternative to sparknotes and cliffsnotes supersummary offers high quality study guides that feature detailed chapter summaries and

analysis of major themes characters quotes and essay topics

fahrenheit 451 comprehension questions answer key pdf - Jan 09 2023

web fahrenheit 451 learning targets i can comprehend a literary text i can respond to a comprehension question due date exam is thursday november 6th turn study guide in then part 1 the hearth and the salamander pages 3 33 1 what symbols does montag wear on his uniform 6

study guide questions for fahrenheit 451 edublogs - Mar 31 2022

web study guide questions for fahrenheit 451 as you read each section of the novel answer briefly the following questions these questions should act as a reading guide and are not intended to replace careful examination of the novel s themes and development part i the hearth and the salamander pp 3 68 1

short answer study guide questions fahrenheit 451 key pdf - Aug 04 2022

web view short answer study guide questions fahrenheit 451 key pdf from hist 236 at loyola university new orleans short answer study guide questions fahrenheit 451 key receiving the books short answer

[fahrenheit 451 study guide sparknotes](#) - Aug 16 2023

web explore our selection of frequently asked questions about fahrenheit 451 and find the answers you need why did the government ban books why does mildred overdose on sleeping pills

[violetorton pinterest](#) - Mar 06 2022

web sep 14 2011 vintage istanbul in pictures the magnum photographer ara güler was born in istanbul in 1928 to ethnic armenian parents his images of his home city take viewers

390 traditional stained glass designs dover publications - Sep 24 2023

web finely rendered line drawings based on photographs of authentic victorian and edwardian era designs depict lovely floral and foliate motifs a remarkable array of geometrics

390 traditional stained glass designs dover pictor pdf - Jan 16 2023

web jan 20 2018 162 traditional and contemporary designs for stained glass projects 2 dover publications jan 20 2018 162 traditional and contemporary designs for

390 traditional stained glass designs dover pictor pdf free - Aug 11 2022

web images stained glass art nouveau windows stained glass pattern book dover victorian stained glass designs cd rom and book book glass designs video dailymotion

[390 traditional stained glass designs dover pictorial archives](#) - Jul 10 2022

web may 7 2023 390 traditional stained glass designs dover pictor pdf uniport edu ng created date 5 7 2023 1 01 24 pm

390 traditional stained glass designs dover pictor pdf wrbb neu - Jul 22 2023

web electronic glass 390 traditional stained glass designs dover 390 traditional stained glass designs book 1996 390 traditional stained glass designs dover free victorian

390 traditional stained glass designs dover pictor pdf - May 20 2023

web aug 23 2023 ancient stained glass is detailed in this beautifully illustrated book considered one of the wonders of the world the 128 windows of the york illustrate the

390 traditional stained glass designs dover pictor pdf - Dec 03 2021

web may 10 2023 390 traditional stained glass designs dover pictor 2 7 downloaded from uniport edu ng on may 10 2023 by guest nature s splendor stained glass pattern book

390 traditional stained glass designs dover books - Aug 23 2023

web 390 traditional stained glass designs dover pictor this is likewise one of the factors by obtaining the soft documents of this 390 traditional stained glass designs dover

390 traditional stained glass designs dover pictor pdf - Jun 09 2022

web 10 september 2021 the city where asia and europe meet is one of historical wonderment and contemporary innovation once known as constantinople and before that

vintage istanbul in pictures travel the guardian - Feb 05 2022

web may 4 2023 390 traditional stained glass designs dover pictor 1 8 downloaded from uniport edu ng on may 4 2023 by guest 390 traditional stained glass designs dover

390 traditional stained glass designs dover pictor uniport edu - Nov 02 2021

web pattern glass design patterns stained glass designs 390 traditional stained glass designs dover ornate pictorial calligraphy e a lupfer 9780486219578 162 traditional

390 traditional stained glass designs dover pictor download - Feb 17 2023

web apr 26 2023 390 traditional stained glass designs dover pictor pdf 390 traditional stained glass designs dover publications web 390 traditional stained glass designs

162 traditional and contemporary designs for stained glass - Dec 15 2022

web jun 1 2023 390 traditional stained glass designs dover pictor pdf is available in our book collection an online access to it is set as public so you can download it instantly

390 traditional stained glass designs dover pictor pdf pdf - Apr 19 2023

web this 390 traditional stained glass designs dover pictor but end happening in harmful downloads rather than enjoying a good pdf subsequent to a mug of coffee in the

these photos prove you should visit istanbul now culture trip - May 08 2022

web may 7 2017 explore peggy robinson s board tuscan pottery followed by 281 people on pinterest see more ideas about tuscan tuscan decorating tuscan style

390 traditional stained glass designs dover pictor pdf - Oct 13 2022

web jun 3 2023 390 traditional stained glass designs dover pictor 1 6 downloaded from uniport edu ng on june 3 2023 by guest 390 traditional stained glass designs dover

110 tuscan pottery ideas tuscan tuscan decorating tuscan style - Apr 07 2022

web apr 4 2021 explore violet orton s board tuscan decorating on pinterest see more ideas about tuscan decorating tuscan design tuscan house

390 traditional stained glass designs dover pictor pdf - Jan 04 2022

web aug 17 2023 patterns for stained glass work include a tropical sunset tuscan vineyard new england country church animals and abstracts total of 90 motifs rendered in

390 traditional stained glass designs dover pictor mike kelley - Mar 18 2023

web mar 22 2023 390 traditional stained glass designs hywel g harris 1996 01 01 finely rendered line drawings based on photographs of authentic victorian and edwardian era

390 traditional stained glass designs dover pictor pdf - Sep 12 2022

web 390 traditional stained glass designs dover pictor pdf pages 3 8 390 traditional stained glass designs dover pictor pdf upload donald l boyle 3 8 downloaded from

390 traditional stained glass designs dover pictor pdf 2023 - Nov 14 2022

web may 31 2023 390 traditional stained glass designs dover pictor 1 5 downloaded from uniport edu ng on may 31 2023 by guest 390 traditional stained glass designs

390 traditional stained glass designs dover pictorial archives - Oct 01 2021

390 traditional stained glass designs dover pictorial archives - Jun 21 2023

web may 9 2023 390 traditional stained glass designs dover pictor can be taken as without difficulty as picked to act victorian doorways stained glass pattern book carolyn relei