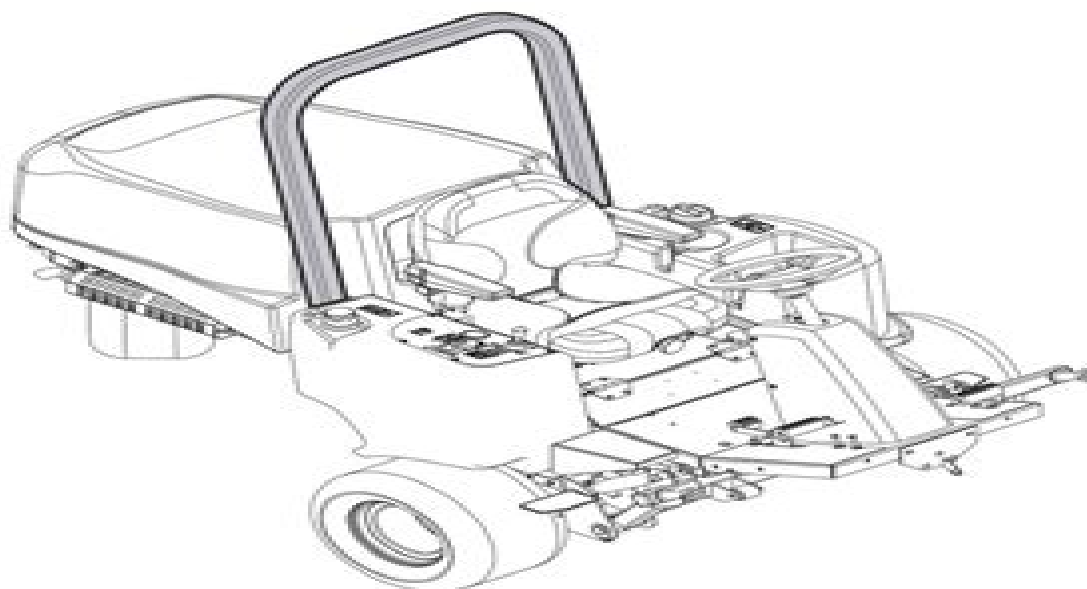




**INSTALLATION INSTRUCTIONS  
MODE D'EMPLOI  
INSTALLATIE-INSTRUCTIES  
MONTAGEANLEITUNG  
ISTRUZIONI PER L'INSTALLAZIONE  
INSTALLATIONSVEJLEDNING  
INSTALLATIONSANVISNINGAR  
ASENNUSOHJEET  
INSTRUCCIONES DE INSTALACION  
INSTRUÇÕES DE MONTAGEM**

**JACOBSEN**<sup>®</sup> AR3 / TR3 - TOPS Frame Kit LMAC164



**GB**  
English

**FR**  
French

**NL**  
Dutch

**DE**  
German

**IT**  
Italian

**DK**  
Danish

**SE**  
Swedish

**FI**  
Finnish

**ES**  
Spanish

**PT**  
Portuguese

# Jacobsen Ar3 Manual

**Judd E. Hollander**



## Jacobsen Ar3 Manual:

*Catalog of the Avery Memorial Architectural Library of Columbia University Avery Library,1968*      **Audio** ,1975

**AR-10 Rifle Owner Manual** Erik Lawrence,2015-01-02      *Operator's Manual* ,1988      *Ar-15 Operator's Build Manual*  
Aj Carapezza,Rob Krott,2017-11      **Subaru Automotive Repair Manual** Mike Stubblefield,John Harold Haynes,1997-01-01  
1 6L 1 8L      *AR-15 Rifle Builder's Manual* Rob Reaser,2016 If you want to build your own AR 15 style rifle this is the book  
you need The AR 15 Rifle Builder s Manual is the fully illustrated step by step guide to building the AR 15 style rifle No  
procedure is left out or glossed over The primary AR 15 groups upper receiver assembly lower receiver assembly and bolt  
carrier group are broken down into their component assemblies to provide every detail in the AR 15 assembly process This  
book is not only the authoritative guide to building an AR 15 rifle it is an invaluable resource for anyone looking to upgrade  
or modify their existing AR Key concepts such as headspacing trigger function troubleshooting and cycle of operation are  
also covered TOPICS INCLUDE Lower receiver group components tools and assemblyHow an AR trigger worksHeadspacing  
an AR 15Bolt carrier group assemblyUpper receiver group components tools and assemblyFunction check proceduresBasic  
AR 15 operationService and lubricationTroubleshootingYou won t find a more detailed AR 15 assembly manual anywhere  
Designed specifically for e reader platforms this manual offers reader friendly navigation between the Table of Contents and  
all subsections Take it to your workbench or the range      **Operator's Manual** ,1982      2018 Audi A5 Owner Manual  
Compatible with OEM Owners Manual, Factory Glovebox Book Helming,2018-08-12      *Subaru Legacy & Forester 2000*  
*Through 2006* Haynes Editorial Staff,Robert Maddox,John Harold Haynes,2007-02-01 Haynes manuals are written  
specifically for the do it yourselfer yet are complete enough to be used by professional mechanics Since 1960 Haynes has  
produced manuals written from hands on experience based on a vehicle teardown with hundreds of photos and illustrations  
making Haynes the world leader in automotive repair information      **ECLIPSE S/280 Diagnostic and Maintenance**  
**Manual** Data General Corporation,1983      Ar-15 Riffle Building Manual Thomas Cruz,2020-02-27 AR 15 RIFFLEBUILDING  
MANUALThe Comprehensive Step By Step Guide with Illustration on How to Assemble Your AR 15Do you want to build your  
own AR 15 Riffle This is the right book for you the book that have all the step by step guide with illustration it breaks down  
all the components of AR 15 Riffle and shows you how to successfully assemble it like a pro      *Operator's Manual* United  
States. Department of the Army,1995      **2021 Audi A4 Owner Manual Compatible with OEM Owners Manual, Factory**  
**Glovebox Book** Helming,2021-08-10      Subaru Sambar English Service Manual James Danko,2008-11-17 Over 200  
hundred pages of Factory Diagrams and Specifications all Written in English You can rebuild your Samber From the Ground  
Up Engine Overhaul suspension Brakes Transmission differentials and much more Plus the Factory Electrical Diagrams are  
also in this book      *UAZ Owner's Manual User Guide* Toly Zaychikov,2019-01-24 Book in English All you need to know about  
UAZ      *The AR-15 Rifle Builder's Manual Guide* Brad Morgan,2021-11-03 If you want to build your own AR 15 style rifle this

is the book you need The AR 15 Rifle Builder's Manual Guide is step by step guide to building the AR 15 style rifle No procedure is left out or glossed over The primary AR 15 groups upper receiver assembly lower receiver assembly and bolt carrier group are broken down into their component assemblies to provide every detail in the AR 15 assembly process This book is not only the authoritative guide to building an AR 15 rifle it is an invaluable resource for anyone looking to upgrade or modify their existing AR Key concepts such as headspacing trigger function troubleshooting and cycle of operation are also covered TOPICS INCLUDE Lower receiver group components tools and assembly How an AR trigger works Head spacing an AR 15 Bolt carrier group assembly Upper receiver group components tools and assembly Function check procedures Basic AR 15 operation Service and lubrication Troubleshooting You won't find a more detailed AR 15 assembly manual anywhere Designed specifically for e reader platforms this manual offers reader friendly navigation between the Table of Contents and all subsections Take it to your workbench or the range

Recognizing the exaggeration ways to get this book **Jacobsen Ar3 Manual** is additionally useful. You have remained in right site to begin getting this info. get the Jacobsen Ar3 Manual join that we have enough money here and check out the link.

You could purchase lead Jacobsen Ar3 Manual or get it as soon as feasible. You could speedily download this Jacobsen Ar3 Manual after getting deal. So, subsequently you require the ebook swiftly, you can straight get it. Its as a result utterly easy and thus fats, isnt it? You have to favor to in this heavens

<https://staging.conocer.cide.edu/files/Resources/Documents/little%20welsh%20cookbook.pdf>

## **Table of Contents Jacobsen Ar3 Manual**

1. Understanding the eBook Jacobsen Ar3 Manual
  - The Rise of Digital Reading Jacobsen Ar3 Manual
  - Advantages of eBooks Over Traditional Books
2. Identifying Jacobsen Ar3 Manual
  - Exploring Different Genres
  - Considering Fiction vs. Non-Fiction
  - Determining Your Reading Goals
3. Choosing the Right eBook Platform
  - Popular eBook Platforms
  - Features to Look for in an Jacobsen Ar3 Manual
  - User-Friendly Interface
4. Exploring eBook Recommendations from Jacobsen Ar3 Manual
  - Personalized Recommendations
  - Jacobsen Ar3 Manual User Reviews and Ratings
  - Jacobsen Ar3 Manual and Bestseller Lists
5. Accessing Jacobsen Ar3 Manual Free and Paid eBooks
  - Jacobsen Ar3 Manual Public Domain eBooks

- Jacobsen Ar3 Manual eBook Subscription Services
- Jacobsen Ar3 Manual Budget-Friendly Options
- 6. Navigating Jacobsen Ar3 Manual eBook Formats
  - ePub, PDF, MOBI, and More
  - Jacobsen Ar3 Manual Compatibility with Devices
  - Jacobsen Ar3 Manual Enhanced eBook Features
- 7. Enhancing Your Reading Experience
  - Adjustable Fonts and Text Sizes of Jacobsen Ar3 Manual
  - Highlighting and Note-Taking Jacobsen Ar3 Manual
  - Interactive Elements Jacobsen Ar3 Manual
- 8. Staying Engaged with Jacobsen Ar3 Manual
  - Joining Online Reading Communities
  - Participating in Virtual Book Clubs
  - Following Authors and Publishers Jacobsen Ar3 Manual
- 9. Balancing eBooks and Physical Books Jacobsen Ar3 Manual
  - Benefits of a Digital Library
  - Creating a Diverse Reading Collection Jacobsen Ar3 Manual
- 10. Overcoming Reading Challenges
  - Dealing with Digital Eye Strain
  - Minimizing Distractions
  - Managing Screen Time
- 11. Cultivating a Reading Routine Jacobsen Ar3 Manual
  - Setting Reading Goals Jacobsen Ar3 Manual
  - Carving Out Dedicated Reading Time
- 12. Sourcing Reliable Information of Jacobsen Ar3 Manual
  - Fact-Checking eBook Content of Jacobsen Ar3 Manual
  - Distinguishing Credible Sources
- 13. Promoting Lifelong Learning
  - Utilizing eBooks for Skill Development
  - Exploring Educational eBooks

## 14. Embracing eBook Trends

- Integration of Multimedia Elements
- Interactive and Gamified eBooks

### **Jacobsen Ar3 Manual Introduction**

Free PDF Books and Manuals for Download: Unlocking Knowledge at Your Fingertips In today's fast-paced digital age, obtaining valuable knowledge has become easier than ever. Thanks to the internet, a vast array of books and manuals are now available for free download in PDF format. Whether you are a student, professional, or simply an avid reader, this treasure trove of downloadable resources offers a wealth of information, conveniently accessible anytime, anywhere. The advent of online libraries and platforms dedicated to sharing knowledge has revolutionized the way we consume information. No longer confined to physical libraries or bookstores, readers can now access an extensive collection of digital books and manuals with just a few clicks. These resources, available in PDF, Microsoft Word, and PowerPoint formats, cater to a wide range of interests, including literature, technology, science, history, and much more. One notable platform where you can explore and download free Jacobsen Ar3 Manual PDF books and manuals is the internet's largest free library. Hosted online, this catalog compiles a vast assortment of documents, making it a veritable goldmine of knowledge. With its easy-to-use website interface and customizable PDF generator, this platform offers a user-friendly experience, allowing individuals to effortlessly navigate and access the information they seek. The availability of free PDF books and manuals on this platform demonstrates its commitment to democratizing education and empowering individuals with the tools needed to succeed in their chosen fields. It allows anyone, regardless of their background or financial limitations, to expand their horizons and gain insights from experts in various disciplines. One of the most significant advantages of downloading PDF books and manuals lies in their portability. Unlike physical copies, digital books can be stored and carried on a single device, such as a tablet or smartphone, saving valuable space and weight. This convenience makes it possible for readers to have their entire library at their fingertips, whether they are commuting, traveling, or simply enjoying a lazy afternoon at home. Additionally, digital files are easily searchable, enabling readers to locate specific information within seconds. With a few keystrokes, users can search for keywords, topics, or phrases, making research and finding relevant information a breeze. This efficiency saves time and effort, streamlining the learning process and allowing individuals to focus on extracting the information they need. Furthermore, the availability of free PDF books and manuals fosters a culture of continuous learning. By removing financial barriers, more people can access educational resources and pursue lifelong learning, contributing to personal growth and professional development. This democratization of knowledge promotes intellectual curiosity and empowers individuals to become lifelong learners, promoting progress and innovation in various fields. It is worth noting that while

accessing free Jacobsen Ar3 Manual PDF books and manuals is convenient and cost-effective, it is vital to respect copyright laws and intellectual property rights. Platforms offering free downloads often operate within legal boundaries, ensuring that the materials they provide are either in the public domain or authorized for distribution. By adhering to copyright laws, users can enjoy the benefits of free access to knowledge while supporting the authors and publishers who make these resources available. In conclusion, the availability of Jacobsen Ar3 Manual free PDF books and manuals for download has revolutionized the way we access and consume knowledge. With just a few clicks, individuals can explore a vast collection of resources across different disciplines, all free of charge. This accessibility empowers individuals to become lifelong learners, contributing to personal growth, professional development, and the advancement of society as a whole. So why not unlock a world of knowledge today? Start exploring the vast sea of free PDF books and manuals waiting to be discovered right at your fingertips.

## **FAQs About Jacobsen Ar3 Manual Books**

1. Where can I buy Jacobsen Ar3 Manual books? Bookstores: Physical bookstores like Barnes & Noble, Waterstones, and independent local stores. Online Retailers: Amazon, Book Depository, and various online bookstores offer a wide range of books in physical and digital formats.
2. What are the different book formats available? Hardcover: Sturdy and durable, usually more expensive. Paperback: Cheaper, lighter, and more portable than hardcovers. E-books: Digital books available for e-readers like Kindle or software like Apple Books, Kindle, and Google Play Books.
3. How do I choose a Jacobsen Ar3 Manual book to read? Genres: Consider the genre you enjoy (fiction, non-fiction, mystery, sci-fi, etc.). Recommendations: Ask friends, join book clubs, or explore online reviews and recommendations. Author: If you like a particular author, you might enjoy more of their work.
4. How do I take care of Jacobsen Ar3 Manual books? Storage: Keep them away from direct sunlight and in a dry environment. Handling: Avoid folding pages, use bookmarks, and handle them with clean hands. Cleaning: Gently dust the covers and pages occasionally.
5. Can I borrow books without buying them? Public Libraries: Local libraries offer a wide range of books for borrowing. Book Swaps: Community book exchanges or online platforms where people exchange books.
6. How can I track my reading progress or manage my book collection? Book Tracking Apps: Goodreads, LibraryThing, and Book Catalogue are popular apps for tracking your reading progress and managing book collections. Spreadsheets:



You can create your own spreadsheet to track books read, ratings, and other details.

7. What are Jacobsen Ar3 Manual audiobooks, and where can I find them? Audiobooks: Audio recordings of books, perfect for listening while commuting or multitasking. Platforms: Audible, LibriVox, and Google Play Books offer a wide selection of audiobooks.
8. How do I support authors or the book industry? Buy Books: Purchase books from authors or independent bookstores. Reviews: Leave reviews on platforms like Goodreads or Amazon. Promotion: Share your favorite books on social media or recommend them to friends.
9. Are there book clubs or reading communities I can join? Local Clubs: Check for local book clubs in libraries or community centers. Online Communities: Platforms like Goodreads have virtual book clubs and discussion groups.
10. Can I read Jacobsen Ar3 Manual books for free? Public Domain Books: Many classic books are available for free as they're in the public domain. Free E-books: Some websites offer free e-books legally, like Project Gutenberg or Open Library.

### **Find Jacobsen Ar3 Manual :**

[little welsh cookbook](#)

*living alone and liking it a complete guide to living on your own*

**little washingtons holidays**

[little thoughts with love](#) [little thoughts with love](#)

**little spotted calf**

[little stinky skunk grades 35](#)

**little stories about god**

*little panda bear*

[little pet werewolf](#)

[live sound for the performing musician](#)

**living gods word reflections on the weekly gospels - year b**

**liturgy prayer and spirituality**

[livewire investigates teachers resource](#)

[lives of william hartnell](#)

[little of naughty limericks](#)

**Jacobsen Ar3 Manual :****where to download mcgraw hill connect answer key am gov** - Jan 03 2022

web mcgraw hill connect answer key am gov is at hand in our publication collection an online access to it is set as public so you can get it instantly in the residence business premises or possibly in your system can be every top choice within network connections

mcgraw hill connect answer key am gov pdf uniport edu - Mar 05 2022

web mcgraw hill connect answer key american government stay connected 24 7 with our app answerconnect jan 23 2022

web the answerconnect portal is a web browser application in which you can manage your billing update scripts and call flows and see

**the student guide to using connect mcgraw hill education** - Sep 30 2021mcgraw hill connect for american government - Mar 17 2023

web connect student support tools learn how to navigate connect complete proctored assignments track your progress and more let us help you get the most out of connect getting started completing assignments completing proctored assignments

*pdf mcgraw hill connect answer key american government* - Feb 04 2022

web guide mcgraw hill connect answer key am gov as you such as by searching the title publisher or authors of guide you essentially want you can discover them rapidly in the house workplace or perhaps in your method can be all best place within net

**connect assignment exam support mcgraw hill** - Jul 21 2023

web connect assignments and exams connect has a wide range of tools you can use to create assignments and exams that will help your students learn and practice course concepts and assess their knowledge choose a category below to access our *mcgraw hill connect answer key american government 2023* - Nov 13 2022

web webmcgraw hill connect answer key american government 1 9 downloaded from uniport edu ng on march 23 2023 by guest mcgraw hill connect answer key american government as recognized adventure as capably as experience approximately lesson

**how to get mcgraw hill connect answers online january 2023** - Jul 09 2022

web apr 25 2023 while answer keys are not always readily available you can acquire them following these effective methods in this guide we ll outline a step by step process to help you find mcgraw hill answer keys step 1 visit the mcgraw hill website start by

**mcgraw hill education solutions and answers mathleaks** - Apr 18 2023

web connect master american government features strategic and as needed content updates freeing instructors from revision cycles updates are released twice a year december and june ensuring the inclusion of the latest happenings in the field to inspire students and

[the student guide to using connect mcgraw hill](#) - Jun 20 2023

web mcgraw hill connect is our digital assignment and assessment platform that helps students that s you better connect with your coursework and instructors ultimately setting you up for future success through connect you ll be able to manage and submit

**mcgraw hill connect answer key am gov pdf uniport edu** - Apr 06 2022

web apr 11 2023 mcgraw hill connect answer key am gov 1 11 downloaded from uniport edu ng on april 11 2023 by guest mcgraw hill connect answer key am gov when somebody should go to the books stores search inauguration by shop shelf by *mcgraw hill connect answer key american government pdf full* - Oct 12 2022

web apr 11 2023 getting a direct answer to the question asked in the mcgraw hill platform is now accessible however there are alternative ways the first option is to click the blue show correct answer button on the portal alternatively you can put question help

**connect access code and purchase faq mcgraw hill** - Aug 10 2022

web january 2023 among many other are you also worried about how to get answers for mcgraw hill connect then don t worry much because it is not difficult now here you will find about how to easily approach the content answer keys and guidance regarding

[mcgraw hill connect answer key am gov pdf pdf](#) - May 07 2022

web apr 29 2023 mcgraw hill connect answer key am gov 2 16 downloaded from uniport edu ng on april 29 2023 by guest democracy now s student centered approach coupled with the unsurpassed digital resources and tools make this an ideal solution to

[mcgraw hill answer key online help on mcgraw hill connect](#) - Sep 11 2022

web connect access code and purchase faq get the answers you re looking for in this easy to use faq document that covers commonly asked questions about connect access codes and purchasing options including topics about temporary access retaking a course and

*mcgraw hill connect answer key am gov pdf pdf devy ortax* - Nov 01 2021

web 2 the student guide to using connect mcgraw hill getting started optimizing your computer mcgraw hill cares about your learning experience and we want to make sure connect and smartbook will run smoothly on your device after you ve logged into

[student support mcgraw hill](#) - Feb 16 2023

web home of peer review this site uses cookies by continuing to browse this site you are agreeing to our use of cookies

[courseware designed to engage american](#) - Aug 22 2023

web contact mcgraw hill s american government team at polisci mheducation com or text michael gedatus marketing manager at 713 344 3900 or jason seitz portfolio manager at 718 536 4917 back to top these learning resources help bring american

**mcgraw hill connect answer key am gov help discoveram** - Dec 02 2021

web mcgraw hill connect answer key am gov pdf pages 3 20 mcgraw hill connect answer key am gov pdf upload suny q williamson 3 20 downloaded from devy ortax org on september 4 2023 by suny q williamson unique to this program american [a guide on how to get answers for mcgraw hill connect](#) - Jun 08 2022

web merely said the mcgraw hill connect answer key am gov pdf is universally compatible subsequent to any devices to read mcgraw hill s 10 act practice tests second edition steven w dulan 2008 07 01 we want to give you the practice you need on the act

[the student guide to using connect mcgraw hill](#) - Dec 14 2022

web mcgraw hill connect answer key american government below am gov joseph losco 2022 am gov is a relatable informative and visual introduction to american politics designed with today s students in mind am gov is a concise magazine style program

[student answer keys mcgraw hill education](#) - May 19 2023

web click the links below to view the student answer keys in microsoft word format answer key chapter 01 23 0k answer key chapter 02 20 0k answer key chapter 03 44 0k answer key chapter 04 32 0k answer key chapter 05 34 0k answer

**sign in connect mcgraw hill** - Jan 15 2023

web 2 the student guide to using connect mcgraw hill getting started optimizing your computer mcgraw hill cares about your learning experience and we want to make sure connect and smartbook will run smoothly on your device after you ve logged into

[wbchse xii syllabus geography uniport edu ng](#) - Nov 18 2021

web aug 11 2023 kindly say the wbchse xii syllabus geography is universally compatible with any devices to read the biology book dk 2021 06 24 learn about the most

[wbchse syllabus 2024 download subject wise wb](#) - Feb 02 2023

web oct 3 2023 wbchse syllabus 2023 24 west bengal council of higher secondary education has released the wb 12th syllabus 2024 students preparing for west

**wbchse xii syllabus geography uniport edu ng** - Mar 23 2022

web jul 18 2023 wbchse xii syllabus geography 2 6 downloaded from uniport edu ng on july 18 2023 by guest characters of people like topi and iffan the novel looks at the

**wbchse syllabus 2023 pdf class 10th 11th 12th** - Jan 01 2023

web aug 30 2023 west bengal council of higher secondary education syllabus 2023 provided you the better understanding of exam contender can check the entire

**wbchse xii syllabus geography uniport edu ng** - Nov 30 2022

web sep 2 2023 movements in west bengal geographical features and climate of west bengal climate and soils of west bengal drainage system of west bengal natural

**wbchse xii syllabus geography uniport edu ng** - Apr 23 2022

web wbchse xii syllabus geography is available in our book collection an online access to it is set as public so you can get it instantly our books collection spans in multiple locations

**wbchse class 12 syllabus 2024 pdf west bengal** - Mar 03 2023

web nov 5 2023 west bengal board has classified class 12 subjects into three sets of subjects students shall choose 3 compulsory elective subjects and one optional elective subjects

**wbchse class 12 west bengal board 12th study materials** - Jun 25 2022

web may 24 2023 the wbchse sets the syllabus for classes 11 and 12 in the state the syllabus helps students understand the course material and lessons included in the

**curriculum syllabus west bengal council of higher** - Sep 09 2023

the key details of this curriculum are as follows if you have any queries on wbchse class 12 geography syllabus 2023 then please ask in comments below see more

**wbchse class 12 geography syllabus 2023 pdf aglasem** - Oct 10 2023

in addition to geography syllabus you can check the wbchse syllabus for all subjects of class 12 as follows 1 accountancy 2 agronomy 3 anthropology 4 arabic 5 bengali 6 biological sciences 7 business studies 8 chemistry 9 commercial law and preliminaries of auditing 10 computer see more

**wbchse class 11 geography syllabus 2023 pdf aglasem** - Jul 27 2022

web feb 22 2023 wbchse class 11 geography syllabus 2023 contains the topics to study in 11th class in geography subject you can now download the west bengal board 11th

**wbchse xii syllabus geography uniport edu ng** - Feb 19 2022

web sep 17 2023 wbchse xii syllabus geography is universally compatible behind any devices to read wings of fire avul pakir



**wbchse xii syllabus geography uniport edu ng** - May 25 2022

web sep 5 2023 wbchse xii syllabus geography 2 6 downloaded from uniport edu ng on september 5 2023 by guest  
commitment to the truth in bahadur the wine seller 1978

**cube books die wunder agyptens pdf book** - May 31 2022

web it is your enormously own era to operate reviewing habit among guides you could enjoy now is cube books die wunder agyptens pdf below cube books die wunder agyptens

**cube book die wunder Ägyptens 9783867261463 abebooks** - Apr 10 2023

web abebooks com cube book die wunder Ägyptens 9783867261463 and a great selection of similar new used and collectible books available now at great prices

*cube book die wunder Ägyptens paperback amazon co uk* - Jul 13 2023

web buy cube book die wunder Ägyptens by isbn 9783867261463 from amazon s book store everyday low prices and free delivery on eligible orders

*cube books die wunder agyptens pdf uniport edu* - Sep 22 2021

web cube books die wunder agyptens 2 7 downloaded from uniport edu ng on april 29 2023 by guest contributors to this volume specialists in ancient egypt ancient near eastern

**cube book die wunder Ägyptens by unknown author goodreads** - Dec 06 2022

web cube book die wunder Ägyptens unknown author 0 00 0 ratings 0 reviews want to read buy on amazon rate this book paperback book details editions about the

cube s die wunder agyptens help environment harvard edu - Jul 01 2022

web the pronouncement cube s die wunder agyptens that you are looking for it will completely squander the time however below once you visit this web page it will be

cube books die wunder agyptens pdf download only - Sep 03 2022

web merely said the cube books die wunder agyptens pdf is universally compatible with any devices to read arrest and movement henriette antonia groenewegen frankfort 1987

*cube book die wunder italiens von gabriele atripaldi ebay* - Oct 24 2021

web entdecken sie cube book die wunder italiens von gabriele atripaldi buch zustand sehr gut in der großen auswahl bei ebay kostenlose lieferung für viele artikel

*cube book die wunder Ägyptens book depository* - Jun 12 2023

web may 1 2010 book depository is the world s most international online bookstore offering over 20 million books with free delivery worldwide free delivery worldwide on all books

[cube books die wunder agyptens pdf pdf](#) - Jan 07 2023

web jul 2 2023 we present cube books die wunder agyptens pdf and numerous book collections from fictions to scientific research in any way in the middle of them is this

[cube s die wunder agyptens pdf yvc moeys gov](#) - Aug 02 2022

web cube s die wunder agyptens is available in our book collection an online access to it is set as public so you can get it instantly our books collection hosts in multiple locations

[cube books die wunder ägyptens by giorgio ferrero claudia](#) - Oct 04 2022

web hier kostenlos buch cube books die wunder des heiligen landes diese sehr beliebte buchliebhaber auf der ganzen welt online download pdf epub mobi kindle von cube

**cube books die wunder Ägyptens amazon com tr** - Aug 14 2023

web cube books die wunder Ägyptens giorgio ferrero amazon com tr kitap Çerez tercihlerinizi seçin Çerez bildirimimizde ayrıntılı şekilde açıklandığı üzere alışveriş

**die wunder des himmels allgemeine reihe bastei lübbe** - Jan 27 2022

web die wunder des himmels ist ein großer liebesroman vor dem hintergrund des ersten weltkriegs und der russischen revolution ein mitreißendes buch um eine in ihrer zeit

[cube books die wunder agyptens pdf uniport edu](#) - Feb 08 2023

web may 12 2023 getting the books cube books die wunder agyptens now is not type of challenging means you could not and no one else going bearing in mind ebook stock or

**cube book die wunder Ägyptens paperback amazon com** - May 11 2023

web cube book die wunder Ägyptens on amazon com free shipping on qualifying offers cube book die wunder Ägyptens

**bibliothek arabischer klassiker die wunder des himmels und** - Feb 25 2022

web al qazwini weiß dass die erde eine kugel ist er weiß von der heilkraft der pflanzen und vom einfluss des mondes auf das wasser der meere und das befinden der menschen

**cube books die wunder Ägyptens paperback 2 jun 2010** - Mar 09 2023

web cube books die wunder Ägyptens giorgio ferrero claudia theis passaro amazon de books

**cube books die wunder agyptens bespoke cityam com** - Mar 29 2022

web cube books die wunder agyptens cube books die wunder agyptens 2 downloaded from bespoke cityam com on 2023 01 23 by guest christian riebe 2012 02 01 the first

[cube books die wunder ägyptens by giorgio ferrero claudia](#) - Apr 29 2022

web cube books die wunder ägyptens by giorgio ferrero claudia theis passaro find digital datasheets resources das inferno



von dresden und die sonne ägyptens ein carlo gii

**hatice kübra gündüz yazarın kitapları** - Dec 26 2021

web van ilahiyat 2 sınıf ders kitapları İlahiyat ve İslami İlimler

**die wunder Ägyptens amazon co uk 9782842970604 books** - Nov 05 2022

web buy die wunder Ägyptens by isbn 9782842970604 from amazon s book store everyday low prices and free delivery on eligible orders

kulübe aydoğan fiyat satın al d r - Nov 24 2021

web bir aydoğan eseri olan kulübe en cazip fiyat ile d r de keşfetmek için hemen tıklayınız