

7.5 Crosshair Devices

7.5.1 How to Install and Remove the Localization Crosshair Device

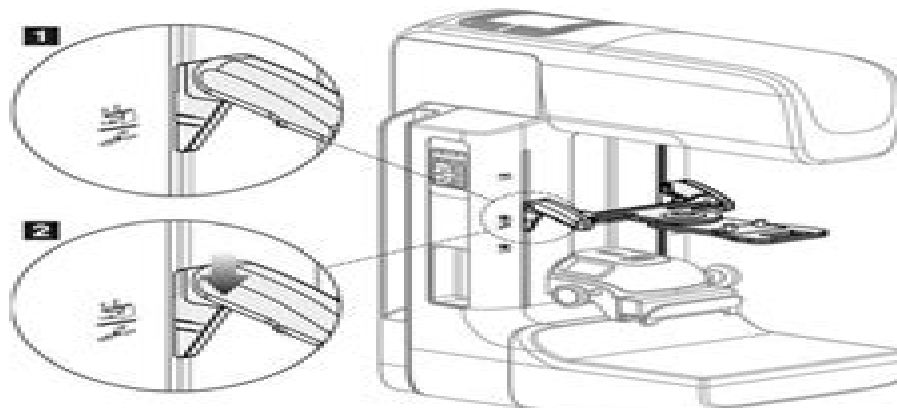


Figure 63: Installation of the Localization Crosshair Device

To Install the Localization Crosshair Device

1. Remove the face shield (refer to [Patient Face Shields](#) on page 84).
2. Move the Compression Device below the mounting slots, indicated by a crosshair icon. See item 2 in the figure [C-arm Accessories](#) on page 83.
3. Hold the crosshair device by the handles and align the thick lines on the device with the line on the C-arm. Compress the release levers.
4. Put the hooks into the C-arm slots.
5. Slide the hooks toward the bottom until the thin black lines on the crosshair meet the black line on the C-arm.
6. Release the levers. The locking pins slide into holes and lock the device in position.

To Remove the Localization Crosshair Device

1. Compress the release levers.
2. Lift the frame toward the top and remove the hooks from the C-arm slots.

Hologic Lorad Selenia Engineer Service Manual

Yijin Wang



Hologic Lorad Selenia Engineer Service Manual:

RADS Maintenance Manual for Service Engineers at ANL Vernon V. Tantillo, 1984

Recognizing the pretentiousness ways to acquire this ebook **Hologic Lorad Selenia Engineer Service Manual** is additionally useful. You have remained in right site to begin getting this info. get the Hologic Lorad Selenia Engineer Service Manual colleague that we come up with the money for here and check out the link.

You could buy lead Hologic Lorad Selenia Engineer Service Manual or get it as soon as feasible. You could speedily download this Hologic Lorad Selenia Engineer Service Manual after getting deal. So, considering you require the ebook swiftly, you can straight get it. Its fittingly definitely simple and appropriately fats, isnt it? You have to favor to in this circulate

<https://staging.conocer.cide.edu/results/scholarship/HomePages/Medical%20Biochemistry%20Chatterjee%20Rana%20Shinde%207th%20Edition.pdf>

Table of Contents Hologic Lorad Selenia Engineer Service Manual

1. Understanding the eBook Hologic Lorad Selenia Engineer Service Manual
 - The Rise of Digital Reading Hologic Lorad Selenia Engineer Service Manual
 - Advantages of eBooks Over Traditional Books
2. Identifying Hologic Lorad Selenia Engineer Service Manual
 - Exploring Different Genres
 - Considering Fiction vs. Non-Fiction
 - Determining Your Reading Goals
3. Choosing the Right eBook Platform
 - Popular eBook Platforms
 - Features to Look for in an Hologic Lorad Selenia Engineer Service Manual
 - User-Friendly Interface
4. Exploring eBook Recommendations from Hologic Lorad Selenia Engineer Service Manual
 - Personalized Recommendations
 - Hologic Lorad Selenia Engineer Service Manual User Reviews and Ratings
 - Hologic Lorad Selenia Engineer Service Manual and Bestseller Lists

5. Accessing Hologic Lorad Selenia Engineer Service Manual Free and Paid eBooks
 - Hologic Lorad Selenia Engineer Service Manual Public Domain eBooks
 - Hologic Lorad Selenia Engineer Service Manual eBook Subscription Services
 - Hologic Lorad Selenia Engineer Service Manual Budget-Friendly Options
6. Navigating Hologic Lorad Selenia Engineer Service Manual eBook Formats
 - ePub, PDF, MOBI, and More
 - Hologic Lorad Selenia Engineer Service Manual Compatibility with Devices
 - Hologic Lorad Selenia Engineer Service Manual Enhanced eBook Features
7. Enhancing Your Reading Experience
 - Adjustable Fonts and Text Sizes of Hologic Lorad Selenia Engineer Service Manual
 - Highlighting and Note-Taking Hologic Lorad Selenia Engineer Service Manual
 - Interactive Elements Hologic Lorad Selenia Engineer Service Manual
8. Staying Engaged with Hologic Lorad Selenia Engineer Service Manual
 - Joining Online Reading Communities
 - Participating in Virtual Book Clubs
 - Following Authors and Publishers Hologic Lorad Selenia Engineer Service Manual
9. Balancing eBooks and Physical Books Hologic Lorad Selenia Engineer Service Manual
 - Benefits of a Digital Library
 - Creating a Diverse Reading Collection Hologic Lorad Selenia Engineer Service Manual
10. Overcoming Reading Challenges
 - Dealing with Digital Eye Strain
 - Minimizing Distractions
 - Managing Screen Time
11. Cultivating a Reading Routine Hologic Lorad Selenia Engineer Service Manual
 - Setting Reading Goals Hologic Lorad Selenia Engineer Service Manual
 - Carving Out Dedicated Reading Time
12. Sourcing Reliable Information of Hologic Lorad Selenia Engineer Service Manual
 - Fact-Checking eBook Content of Hologic Lorad Selenia Engineer Service Manual
 - Distinguishing Credible Sources
13. Promoting Lifelong Learning

- Utilizing eBooks for Skill Development
 - Exploring Educational eBooks
14. Embracing eBook Trends
- Integration of Multimedia Elements
 - Interactive and Gamified eBooks

Hologic Lorad Selenia Engineer Service Manual Introduction

Free PDF Books and Manuals for Download: Unlocking Knowledge at Your Fingertips In today's fast-paced digital age, obtaining valuable knowledge has become easier than ever. Thanks to the internet, a vast array of books and manuals are now available for free download in PDF format. Whether you are a student, professional, or simply an avid reader, this treasure trove of downloadable resources offers a wealth of information, conveniently accessible anytime, anywhere. The advent of online libraries and platforms dedicated to sharing knowledge has revolutionized the way we consume information. No longer confined to physical libraries or bookstores, readers can now access an extensive collection of digital books and manuals with just a few clicks. These resources, available in PDF, Microsoft Word, and PowerPoint formats, cater to a wide range of interests, including literature, technology, science, history, and much more. One notable platform where you can explore and download free Hologic Lorad Selenia Engineer Service Manual PDF books and manuals is the internet's largest free library. Hosted online, this catalog compiles a vast assortment of documents, making it a veritable goldmine of knowledge. With its easy-to-use website interface and customizable PDF generator, this platform offers a user-friendly experience, allowing individuals to effortlessly navigate and access the information they seek. The availability of free PDF books and manuals on this platform demonstrates its commitment to democratizing education and empowering individuals with the tools needed to succeed in their chosen fields. It allows anyone, regardless of their background or financial limitations, to expand their horizons and gain insights from experts in various disciplines. One of the most significant advantages of downloading PDF books and manuals lies in their portability. Unlike physical copies, digital books can be stored and carried on a single device, such as a tablet or smartphone, saving valuable space and weight. This convenience makes it possible for readers to have their entire library at their fingertips, whether they are commuting, traveling, or simply enjoying a lazy afternoon at home. Additionally, digital files are easily searchable, enabling readers to locate specific information within seconds. With a few keystrokes, users can search for keywords, topics, or phrases, making research and finding relevant information a breeze. This efficiency saves time and effort, streamlining the learning process and allowing individuals to focus on extracting the information they need. Furthermore, the availability of free PDF books and manuals fosters a culture of continuous learning. By removing financial barriers, more people can access educational resources and

pursue lifelong learning, contributing to personal growth and professional development. This democratization of knowledge promotes intellectual curiosity and empowers individuals to become lifelong learners, promoting progress and innovation in various fields. It is worth noting that while accessing free Hologic Lorad Selenia Engineer Service Manual PDF books and manuals is convenient and cost-effective, it is vital to respect copyright laws and intellectual property rights. Platforms offering free downloads often operate within legal boundaries, ensuring that the materials they provide are either in the public domain or authorized for distribution. By adhering to copyright laws, users can enjoy the benefits of free access to knowledge while supporting the authors and publishers who make these resources available. In conclusion, the availability of Hologic Lorad Selenia Engineer Service Manual free PDF books and manuals for download has revolutionized the way we access and consume knowledge. With just a few clicks, individuals can explore a vast collection of resources across different disciplines, all free of charge. This accessibility empowers individuals to become lifelong learners, contributing to personal growth, professional development, and the advancement of society as a whole. So why not unlock a world of knowledge today? Start exploring the vast sea of free PDF books and manuals waiting to be discovered right at your fingertips.

FAQs About Hologic Lorad Selenia Engineer Service Manual Books

How do I know which eBook platform is the best for me? Finding the best eBook platform depends on your reading preferences and device compatibility. Research different platforms, read user reviews, and explore their features before making a choice. Are free eBooks of good quality? Yes, many reputable platforms offer high-quality free eBooks, including classics and public domain works. However, make sure to verify the source to ensure the eBook credibility. Can I read eBooks without an eReader? Absolutely! Most eBook platforms offer web-based readers or mobile apps that allow you to read eBooks on your computer, tablet, or smartphone. How do I avoid digital eye strain while reading eBooks? To prevent digital eye strain, take regular breaks, adjust the font size and background color, and ensure proper lighting while reading eBooks. What the advantage of interactive eBooks? Interactive eBooks incorporate multimedia elements, quizzes, and activities, enhancing the reader engagement and providing a more immersive learning experience. Hologic Lorad Selenia Engineer Service Manual is one of the best book in our library for free trial. We provide copy of Hologic Lorad Selenia Engineer Service Manual in digital format, so the resources that you find are reliable. There are also many Ebooks of related with Hologic Lorad Selenia Engineer Service Manual. Where to download Hologic Lorad Selenia Engineer Service Manual online for free? Are you looking for Hologic Lorad Selenia Engineer Service Manual PDF? This is definitely going to save you time and cash in something you should think about.

Find Hologic Lorad Selenia Engineer Service Manual :

medical biochemistry chatterjee rana shinde 7th edition

medical practice financial ratios

medical biochemistry exam questions une

medicare cpt code lookup

medion mt7 manual guide

med surgical study guide answers dewit

megapix v10 digital cameras owners manual

mediacom printable tv guide

mei ocr c3 june 2013

meds quick reference guide 2009

medical nutrition and disease 5th edition

mei ocr core 4 markscheme june 2013

mechatronics sabri solution manual

med surg nclex questions with rationale

medical metric conversion chart

Hologic Lorad Selenia Engineer Service Manual :

philips ct imaging mx8000 service manual archive org - Jul 05 2023

web may 20 2020 topics medical imaging ct scanner philips ct scanner philips mx 8000 collection manuals medicaldevices

manuals additional collections language english philips ct imaging mx8000 service manual addeddate 2020 05 20 09 48 11

ct scanners philips healthcare - Jun 23 2022

web ct scanners philips offers advances in ct design and technology to help give you the speed and performance to do more enter the realm of multislice ct with ease or use our most advanced multislice scanners to stay at the forefront of ct imaging

computed tomography machines solutions philips - Jul 25 2022

web find out how philips computed tomography machines and solutions utilize the diagnostic potential of ct imaging view all ct scanners technologies and applications

incisive ct education 1 1 philips healthcare education - May 23 2022

web covid 19 scans on incisive ct scanner single technologist this quick reference guide provides guidance on building and

exam card and performing a ct chest scan on covid 19 patients [click here](#)

[philips ct scanner repair ifixit](#) - Apr 02 2023

web guides and repair information for philips ct scanners philips ct scanners can generally be identified by the name philips printed in black capital letters philips ct scanner troubleshooting repair and service manuals

ct scanners solutions overview philips healthcare - Oct 28 2022

web ct scanners philips offers advances in ct scanner design and technology to help give you the speed and performance to do more enter the realm of multislice ct with ease or use our most advanced multislice ct systems to stay at the forefront of ct imaging

philips brilliance ct 64 service manual pdf ct scan scribd - Jun 04 2023

web new updated files for philips brilliance 64 service manual philips brilliance 64 service philips brilliance 64 slice ct scanner features search and read philips brilliance 40 ct service manual latest philips

[support library philips](#) - Oct 08 2023

web support documentation for philips customers we offer user guides and service manuals for the operation and care of your philips software and products

brilliance ct 64 channel philips - Aug 26 2022

web afurnished and installed by philips f e awsbriilliance ct scanner gantry 4280 1941 18000 5275 awtpatient table 850 386 medical imaging equipment to be installed by philips is equipped with a service diagnostic feature whcih allows for remote and on site service diagnostics to establish this feature a rj45 type ethernet

philips healthcare computed tomography - May 03 2023

web apr 1 2010 computed tomography connectivity ihe integration statements spectral ct 7500 v5 0 1 april 2023 spectral ct 7500 v5 0 april 2023 incisive ct console v5 0 january 2021 iqon heartbeat v4 7 5 october 2017 iqon v4 7 7 june 2019 iqon scanner powered by ipatient november 2015 brilliance 64 and ingenuity v4 1 10 june

philips mx 16 slice community manuals and specifications - Nov 28 2022

web the mx 16 slice is a 16 slice system suited to routine ct studies ct angiography and advanced motion sensitive applications such as ct colonography and pulmonary studies the mx 16 slice features fast reconstruction and a range of automated tools to set up patients and manage scans

philips - Aug 06 2023

web jan 21 2022 this is a technical reference guide for philips incisive ct scanner a high performance and cost effective system that delivers spectral results for every patient the guide covers the system overview installation operation maintenance and troubleshooting it also provides reference protocols dicom conformance statements and safety

philips - Dec 30 2022

web philips

philips ct scanners solutions overview philips healthcare - Mar 21 2022

web spectral ct 7500 always on always available spectral with no special protocols all patients from bariatric to pediatric and spectral cardiac 26 reduction in follow up scans due to incomplete diagnosis1 2 seconds complete a full chest abdomen pelvis scan in

service manual for philips brilliance ct - Apr 21 2022

web all pdf manuals about service manual philips brilliance 40 pdf can be found here please browse all documents below that meets your pdf need related to service manual epicmanual com terms pdfsource service manual philips brilliance 40 pdf philips brilliance 64 service manual

[access ct education philips healthcare education](#) - Jan 31 2023

web the resources on this page will help you get started using your access ct scanner visit this page often to view additional basic and advanced software trainings as they become available this material is not intended to substitute or replace the operating manual or instructions for use

philips mx 8000 repair ifixit - Sep 26 2022

web the philips mx 8000 ct scanner is a 16 slice ct scanner that can complete a full 360 degree scan in 0 5 seconds philips mx 8000 troubleshooting repair and service manuals

philips brilliance ict community manuals and specifications - Mar 01 2023

web scalable ct scanner platform available in 128 and 256 slice configurations philips brilliance ict provides a combination of intelligent speed power coverage and dose management features brilliance ict is the system that provides you with a quick path to new discoveries in clinical science

philips healthcare computed tomography - Sep 07 2023

web computed tomography connectivity dicom conformance statements spectral ct 7500 spectral ct 7500 v5 0 1 apr 2023 spectral ct v5 0 may 2023 incisive ct incisive ct console v5 0 february 2021 incisive ct console with embedded eviwer v4 5 march 2020 incisive ct eviwer v4 5 march 2020 multislice ct acquisition

philips ct scanners solutions overview philips healthcare - Feb 17 2022

web spectral ct 7500 always on always available spectral with no special protocols all patients from bariatric to pediatric and spectral cardiac 26 reduction in follow up scans due to incomplete diagnosis1 2 seconds complete a full chest abdomen pelvis scan in

vežbanje much many 5 razred learnlish - Nov 07 2022

web vežbanje much many 5 razred by zorana radović vežbanja vežbanja za 5 razred pročitaj ove rečenice i odredi koji odgovori su tačni izaberi jedan od ponuđena dva odgovora Želiš da naučiš engleski learnlish je onlajn program engleskog za decu uzrasta 10 16 godina

engleski jezik 5 e Škole - Sep 05 2022

web engleski jezik za 5 razred osnovne Škole autori anita Žepina alenka miljević maja laboš horvat nalazite se na stranici odabira razine učenja za engleski jezik odaberite razinu učenja za 5 razred osnove škole 2nd year of learning 5th year of learning impresum izjava o pristupačnosti

engleski jezik 5 r oŠ skolica net - Aug 16 2023

web ostale vježbe engleski jezik 5 razred mjeseci na engleskom engleski jezik 5 razred vježba u pdf formatu za ispis past simple negative 5 r past simple positive 5 r past simple regular verbs 5 r prepositions of time in on at 5 r comparative and superlative revision 5 r

5 razred engleski kroz igru - Dec 08 2022

web 5 razred dear students try making the affirmative negative and interrogative forms of the verbs in these exercises use the present simple tense these are the rules how to make wh questions and these are some examples for you to practise making them practise the plural of nouns through a game billionaire

test 5 razred pdf scribd - May 13 2023

web test 5 razred free download as word doc doc pdf file pdf text file txt or read online for free engleski

Тесты по английскому языку для 5 класса онлайн online test - Jul 03 2022

web У нас вы можете пройти все Тесты по английскому языку для 5 класса онлайн быстро и бесплатно Результат получите сразу Всегда ваш online test pad

revision part 1 engleski jezik 5 youtube - Mar 11 2023

web engleski jezik revision part 1 predavanje za 5 razred osnovne škole predavač marija davidović label and copyright rts

test engleski jezik 5 razred word order in questions - Jun 14 2023

web engleski jezik gramatika word order in questions ovde vam nudimo test iz gramatike engleski jezik word order in questions rešeni testovi će vam pomoći u razumevanju gradiva i izbegavanju uobičajenih grešaka kada je u pitanju gramatika

testovi za engleski jezik 5 razred ams istanbul edu - Oct 06 2022

web engleski jezik domaci za 5 razred have got has got ivana teaching predstavljamo vam radne listiće clever me za 5 razred osnovne škole 1 dio autorica ivane cetine jasminke jager i jelene vrkljan

5 razred engleski jezik teaching resources wordwall - Apr 12 2023

web 10000 results for 5 razred engleski jezik right on 1 subject personal pronouns group sort by floricić 5 razred engleski

jezik months ordinal numbers sg match up by zbornicaks 5 razred engleski jezik habitats match up by marija5 5 razred engleski jezik was wasn t were or weren t quiz by alfaengleski 5 razred engleski jezik

Тесты по Английскому языку для 5 класса - Feb 27 2022

web 11 класс В данном каталоге представлены интерактивные компьютерные тесты по Английскому языку для 5 класса Любой тест который находится на нашем портале можно загрузить и использовать

osnovne škole informacije o osnovnim školama u srbiji - Feb 10 2023

web test 1 vocabulary 1 choose the odd one out 5 marks 1 german rome italian spanish 2 pharmacy supermarket park bookshop 3 bath shower toilet cooker 4 road quiet beautiful yummy 5 father nephew daughter uncle 2 complete the missing letters 5 marks 1 he is sitting in the armchair in the l room

inicijalni test za peti razred engleski skolski kutak - Jun 02 2022

web inicijalni test za peti razred 5 test prvo polugodište 5 the first written work 5 test drugo polugodište 5 the second written work testovi za šesti razred inicijalni test za šesti razred 6 test prvo polugodište 6 the first written work 6 test drugo polugodište 6 the second written work testovi za sedmi razred

5 sınıf İngilizce test Çöz testkolik yeni nesil sorular - Jul 15 2023

web testkolik te 5 sınıf İngilizce için online testler ve cevapları var Üstelik soruların tamamı kazanım odaklı ve yeni nesil sorulardan oluşmaktadır testlerde boşluk doldurma çoktan seçmeli doğru yanlış ve eşleştirme gibi farklı soru tipleri de bulunmaktadır sisteme kayıtlı 5 sınıf İngilizce dersi

Тест по английскому языку 5 класс - Jan 29 2022

web Лексико грамматический тест по английскому языку 5 класс предназначен для определения уровня знаний английского языка учащихся 5 го класса построен на основе изученного грамматического и лексического материала за

vežbanja za 5 razred archives learnlish - Aug 04 2022

web Želiš da naučiš engleski learnlish je onlajn program engleskog za decu uzrasta 10 16 vežbanje nepravilni glagoli 5 razred u ovom vežbanju naučićeš nepravilne glagole

vežbanje nepravilni glagoli 5 razred learnlish - May 01 2022

web by zorana radović vežbanja vežbanja za 5 razred u ovom vežbanju naučićeš nepravilne glagole na slici ćeš videti infinitiv oblik iz prve kolone nepravilnih glagola a tvoj zadatak je da u polje za odgovor upišeš oblik za prošlo

past simple regular verbs 5 r skolica net - Dec 28 2021

web past simple regular verbs 5 r engleski jezik 5 r oŠ ispunite prazna polja sa ispravnom riječi poštujući pravilo past simple pret sljedeće više

5 razred priprema unit1 test 1 pdf scribd - Jan 09 2023

web 5 razred priprema unit1 test 1 free download as word doc doc pdf file pdf text file txt or read online for free probni test za 5 razred

5 razred engleski kviz nastavna sredstva wordwall - Mar 31 2022

web 5 razred engleski kviz primeri iz naše zajednice 10000 rezultata za 5 razred engleski kviz mezopotamija pronađi reč autor nikola1911 5 razred history there is there are kviz autor florivic 5 razred engleski jezik vjeronauk 6 razred kviz autor itspepiibenvuk present simple questions kviz autor ured1

bring him home sheet music musicnotes com - Jul 14 2023

web browse our 47 arrangements of bring him home sheet music is available for piano voice guitar and 37 others with 19 scorings and 3 notations in 12 genres find your perfect arrangement and access a variety of transpositions so you can print and play instantly anywhere lyrics begin god on high hear my prayer

bring him home sheet music for piano solo musescore com - Jun 13 2023

web mar 28 2020 download and print in pdf or midi free sheet music for bring him home by les misérables arranged by callum friel for piano solo

free bring him home by les misérables sheet music download - Aug 15 2023

web free bring him home by les misérables sheet music download pdf or print on musescore com time for summer time for music 90 off 02d 22h 25 38s view offer

bring him home piano tutorial les miserables onlinepianist - Nov 06 2022

web learn how to play bring him home by les miserables on piano with onlinepianist a one of a kind animated piano tutorial application

bring him home from les misérables sheet music easy piano - Feb 09 2023

web print and download sheet music for bring him home from les misérables sheet music arranged for easy piano in f major transposable sku mn0104598

bring him home from les misérables the piano guys - Apr 11 2023

web aug 10 2011 get our albums smarturl it tpg albums we re on tour smarturl it tpgtour tpg apparel smarturl it tpgapparel download tpg songs

bring him home from les miserables by the piano guys - May 12 2023

web aug 17 2021 download and print in pdf or midi free sheet music for bring him home from les miserables by alain boublil and claude michel schönberg arranged by fsgregs for piano cello piano duo

bring him home from les misérables sheet music in a major - Dec 07 2022

web print and download bring him home sheet music from les misérables sheet music arranged for piano vocal guitar and singer pro in a major transposable

bring him home youtube - Feb 26 2022

web mar 9 2015 provided to youtube by masterworks bring him home the piano guys claude michel schönberg the piano guys 2012 tpg productions llc released on 2013 01 18 cello arranger producer

bring him home from les miserables sheet music for piano - Mar 10 2023

web aug 23 2021 arrangement format piano solo roles les miserables musical artist alain boublil composer claude michel schonberg composer alain boublil writer claude michel schonberg writer les miserables musical

colm wilkinson bring him home sheet music in a major - Aug 03 2022

web print and download bring him home sheet music by colm wilkinson sheet music arranged for piano vocal guitar in a major transposable sku mn0104312

bring him home karaoke piano accompaniment les misérables - Oct 05 2022

web sep 7 2015 piano accompaniment of bring him home a song from the musical les misérables by claude michel schönberg what can you find on pianissim s youtube channel

bring him home from les misérables sheet music piano solo - Jan 08 2023

web print and download bring him home sheet music from les misérables arranged for piano instrumental solo in f major sku mn0111243

bring him home virtuosic piano solo cover sheet music - Apr 30 2022

web bring him home virtuosic piano solo cover sheet music youtube liszt has been an enormous influence on my arranging since the very beginning in this next piece in the reimagined

bring him home les miserables piano youtube - Jul 02 2022

web apr 18 2011 bring him home les miserables piano youtube 0 00 3 53 bring him home les miserables piano calikokat104 4 61k subscribers subscribe 760 139k views 12 years ago disclosure i may

neil archer bring him home sheet music piano solo in a - Sep 04 2022

web print and download bring him home sheet music by neil archer arranged for piano instrumental solo in a major sku mn0263857

les miserables bring him home free downloadable sheet music - Mar 30 2022

web les misérables colloquially known as les mis or les miz is a musical composed in 1980 by the french composer claude michel schönberg with a libretto by alain boublil sung through it is perhaps the most famous of all french musicals and one of the most performed musicals worldwide

bring him home claude michel schönberg from les misérables - Jun 01 2022

web download and print in pdf or midi free sheet music for bring him home by les misérables arranged by virucide for recorder solo browse learn start free trial upload log in time for summer time for music 90 off 05 d 04 h 15 m 07 s voice other piano uploaded on dec 05 2020

bring him home sheet music pdf download sheetmusicmu com - Dec 27 2021

web sep 13 2023 bring him home piano solo piano solo intermediate bring him home for alto sax and piano alto saxophone baritone saxophone piano duet piano accompaniment intermediate bring me home again an original hymn choir advanced bring him home brass ensemble intermediate bring him home for viola and

bring him home sheet music the piano guys smf - Jan 28 2022

web lyrics bring him home the piano guys bring him home instrumental from les misérables highlights from the motion picture soundtrack soundtrack god on high hear my prayer in my need you have always been there he is young he s afraid let him rest