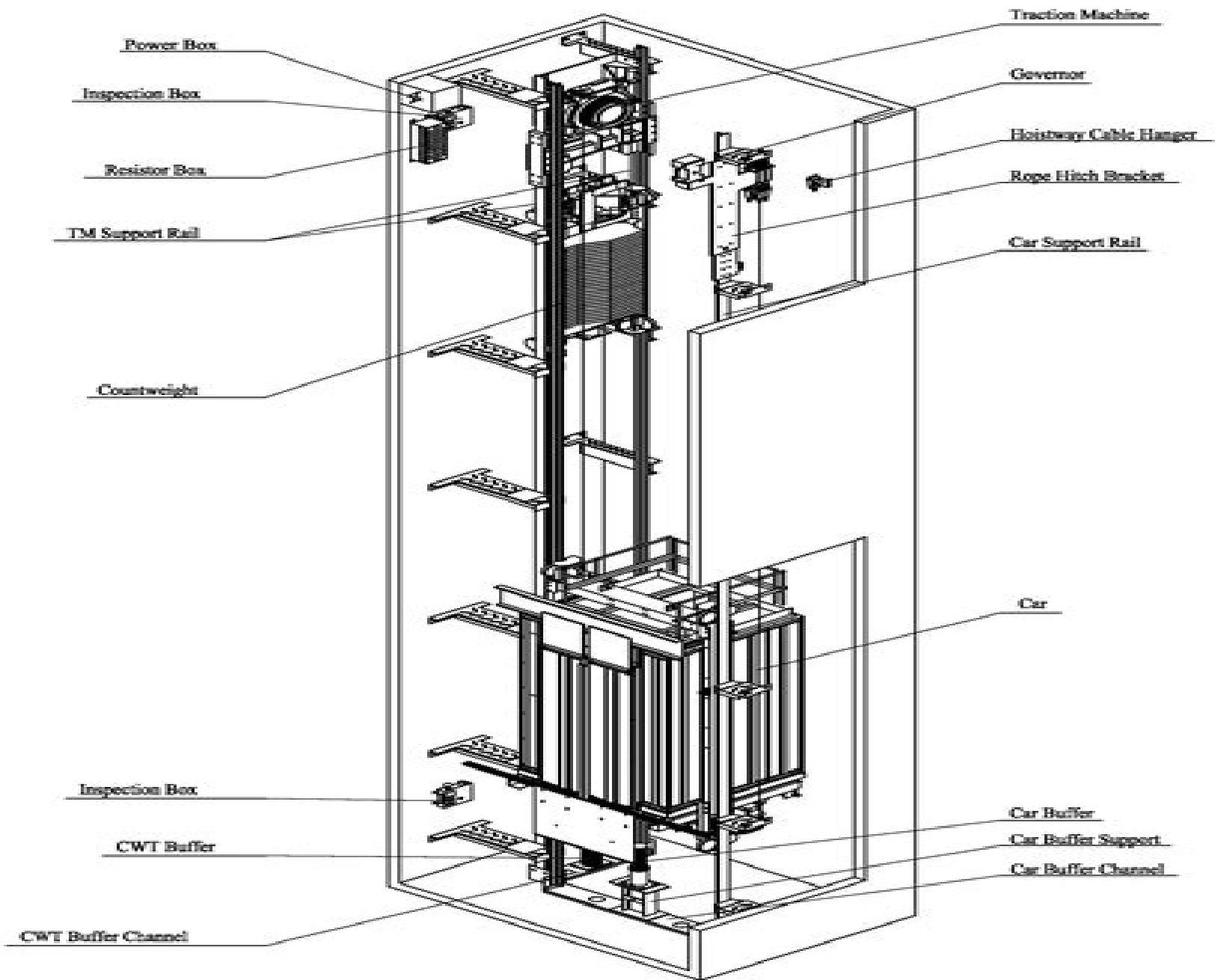


FIGURE 6



# Kone Elevator Diagram

**Peipei Pang**



**Kone Elevator Diagram:**

## The Enigmatic Realm of **Kone Elevator Diagram**: Unleashing the Language is Inner Magic

In a fast-paced digital era where connections and knowledge intertwine, the enigmatic realm of language reveals its inherent magic. Its capacity to stir emotions, ignite contemplation, and catalyze profound transformations is nothing lacking extraordinary. Within the captivating pages of **Kone Elevator Diagram** a literary masterpiece penned with a renowned author, readers attempt a transformative journey, unlocking the secrets and untapped potential embedded within each word. In this evaluation, we shall explore the book's core themes, assess its distinct writing style, and delve into its lasting effect on the hearts and minds of those who partake in its reading experience.

<https://staging.conocer.cide.edu/data/browse/default.aspx/Honda%20Fourtrax%20250%20Workshop%20Manual.pdf>

### **Table of Contents Kone Elevator Diagram**

1. Understanding the eBook Kone Elevator Diagram
  - The Rise of Digital Reading Kone Elevator Diagram
  - Advantages of eBooks Over Traditional Books
2. Identifying Kone Elevator Diagram
  - Exploring Different Genres
  - Considering Fiction vs. Non-Fiction
  - Determining Your Reading Goals
3. Choosing the Right eBook Platform
  - Popular eBook Platforms
  - Features to Look for in an Kone Elevator Diagram
  - User-Friendly Interface
4. Exploring eBook Recommendations from Kone Elevator Diagram
  - Personalized Recommendations
  - Kone Elevator Diagram User Reviews and Ratings
  - Kone Elevator Diagram and Bestseller Lists

5. Accessing Kone Elevator Diagram Free and Paid eBooks
  - Kone Elevator Diagram Public Domain eBooks
  - Kone Elevator Diagram eBook Subscription Services
  - Kone Elevator Diagram Budget-Friendly Options
6. Navigating Kone Elevator Diagram eBook Formats
  - ePub, PDF, MOBI, and More
  - Kone Elevator Diagram Compatibility with Devices
  - Kone Elevator Diagram Enhanced eBook Features
7. Enhancing Your Reading Experience
  - Adjustable Fonts and Text Sizes of Kone Elevator Diagram
  - Highlighting and Note-Taking Kone Elevator Diagram
  - Interactive Elements Kone Elevator Diagram
8. Staying Engaged with Kone Elevator Diagram
  - Joining Online Reading Communities
  - Participating in Virtual Book Clubs
  - Following Authors and Publishers Kone Elevator Diagram
9. Balancing eBooks and Physical Books Kone Elevator Diagram
  - Benefits of a Digital Library
  - Creating a Diverse Reading Collection Kone Elevator Diagram
10. Overcoming Reading Challenges
  - Dealing with Digital Eye Strain
  - Minimizing Distractions
  - Managing Screen Time
11. Cultivating a Reading Routine Kone Elevator Diagram
  - Setting Reading Goals Kone Elevator Diagram
  - Carving Out Dedicated Reading Time
12. Sourcing Reliable Information of Kone Elevator Diagram
  - Fact-Checking eBook Content of Kone Elevator Diagram
  - Distinguishing Credible Sources
13. Promoting Lifelong Learning

- Utilizing eBooks for Skill Development
  - Exploring Educational eBooks
14. Embracing eBook Trends
- Integration of Multimedia Elements
  - Interactive and Gamified eBooks

### **Kone Elevator Diagram Introduction**

In today's digital age, the availability of Kone Elevator Diagram books and manuals for download has revolutionized the way we access information. Gone are the days of physically flipping through pages and carrying heavy textbooks or manuals. With just a few clicks, we can now access a wealth of knowledge from the comfort of our own homes or on the go. This article will explore the advantages of Kone Elevator Diagram books and manuals for download, along with some popular platforms that offer these resources. One of the significant advantages of Kone Elevator Diagram books and manuals for download is the cost-saving aspect. Traditional books and manuals can be costly, especially if you need to purchase several of them for educational or professional purposes. By accessing Kone Elevator Diagram versions, you eliminate the need to spend money on physical copies. This not only saves you money but also reduces the environmental impact associated with book production and transportation. Furthermore, Kone Elevator Diagram books and manuals for download are incredibly convenient. With just a computer or smartphone and an internet connection, you can access a vast library of resources on any subject imaginable. Whether you're a student looking for textbooks, a professional seeking industry-specific manuals, or someone interested in self-improvement, these digital resources provide an efficient and accessible means of acquiring knowledge. Moreover, PDF books and manuals offer a range of benefits compared to other digital formats. PDF files are designed to retain their formatting regardless of the device used to open them. This ensures that the content appears exactly as intended by the author, with no loss of formatting or missing graphics. Additionally, PDF files can be easily annotated, bookmarked, and searched for specific terms, making them highly practical for studying or referencing. When it comes to accessing Kone Elevator Diagram books and manuals, several platforms offer an extensive collection of resources. One such platform is Project Gutenberg, a nonprofit organization that provides over 60,000 free eBooks. These books are primarily in the public domain, meaning they can be freely distributed and downloaded. Project Gutenberg offers a wide range of classic literature, making it an excellent resource for literature enthusiasts. Another popular platform for Kone Elevator Diagram books and manuals is Open Library. Open Library is an initiative of the Internet Archive, a non-profit organization dedicated to digitizing cultural artifacts and making them accessible to the public. Open Library hosts millions of books, including both public domain works and contemporary titles. It also allows users to borrow digital copies of certain books for a limited

period, similar to a library lending system. Additionally, many universities and educational institutions have their own digital libraries that provide free access to PDF books and manuals. These libraries often offer academic texts, research papers, and technical manuals, making them invaluable resources for students and researchers. Some notable examples include MIT OpenCourseWare, which offers free access to course materials from the Massachusetts Institute of Technology, and the Digital Public Library of America, which provides a vast collection of digitized books and historical documents. In conclusion, Kone Elevator Diagram books and manuals for download have transformed the way we access information. They provide a cost-effective and convenient means of acquiring knowledge, offering the ability to access a vast library of resources at our fingertips. With platforms like Project Gutenberg, Open Library, and various digital libraries offered by educational institutions, we have access to an ever-expanding collection of books and manuals. Whether for educational, professional, or personal purposes, these digital resources serve as valuable tools for continuous learning and self-improvement. So why not take advantage of the vast world of Kone Elevator Diagram books and manuals for download and embark on your journey of knowledge?

### **FAQs About Kone Elevator Diagram Books**

How do I know which eBook platform is the best for me? Finding the best eBook platform depends on your reading preferences and device compatibility. Research different platforms, read user reviews, and explore their features before making a choice. Are free eBooks of good quality? Yes, many reputable platforms offer high-quality free eBooks, including classics and public domain works. However, make sure to verify the source to ensure the eBook credibility. Can I read eBooks without an eReader? Absolutely! Most eBook platforms offer web-based readers or mobile apps that allow you to read eBooks on your computer, tablet, or smartphone. How do I avoid digital eye strain while reading eBooks? To prevent digital eye strain, take regular breaks, adjust the font size and background color, and ensure proper lighting while reading eBooks. What the advantage of interactive eBooks? Interactive eBooks incorporate multimedia elements, quizzes, and activities, enhancing the reader engagement and providing a more immersive learning experience. Kone Elevator Diagram is one of the best book in our library for free trial. We provide copy of Kone Elevator Diagram in digital format, so the resources that you find are reliable. There are also many Ebooks of related with Kone Elevator Diagram. Where to download Kone Elevator Diagram online for free? Are you looking for Kone Elevator Diagram PDF? This is definitely going to save you time and cash in something you should think about.

**Find Kone Elevator Diagram :**

**[honda fourtrax 250 workshop manual](#)**

[honda element maintenance required light reset](#)

~~[honda gvc190 shop manual](#)~~

~~[honda foreman model trx500fm 2012 owners manual](#)~~

~~[honda gx240 repair manual](#)~~

**[honda gold wing gl1500 workshop and repair manual 94](#)**

~~[honda engine gx160 parts diagram](#)~~

**[honda gx27engine schematic](#)**

[honda fireblade repair manual](#)

**[honda gx270 manual 90](#)**

**[honda g28 engine parts manual](#)**

[honda gl1500 goldwing service repair manual 1994 2000](#)

**[honda e3200 manual](#)**

**[honda gx 630r gx660r gx690r parts manual](#)**

**[honda hr 216 repair manual](#)**

**Kone Elevator Diagram :**

[a p j abdul kalam quotes author of wings of fire goodreads - Aug 07 2023](#)

web 496 quotes from a p j abdul kalam dream is not that which you see while sleeping it is something that does not let you sleep dream dream dream dreams transform into thoughts and thoughts result in action and it is very easy to defeat someone but it is very hard to win someone

[30 most inspiring apj abdul kalam quotes turtle quote - May 04 2023](#)

web sep 3 2021 apj abdul kalam great dreams of great dreamers are always transcended apj abdul kalam don t read success stories you will only get messages read failure stories you will get some ideas to get success apj abdul kalam one best book is equal to a hundred good friends but one good friend is equal to a library apj abdul kalam

[110 apj abdul kalam quotes thoughts words that will inspire - Mar 02 2023](#)

web j abdul kalam apj abdul kalam quotes thoughts words that will inspire you to never give up when i took over as president i studied the constitution and the more i studied it the more i realised that it does not prevent the president of



**60 apj abdul kalam quotes thoughts words that will inspire** - Jun 24 2022

web inspirational 60 apj abdul kalam quotes thoughts words that will inspire you to never give up apj abdul kalam was a man who needed no introduction he was one of my personal heroes i love to refer to him as the man no one can hate

**87 inspiring positive thinking abdul kalam quotes minds quotes** - Apr 22 2022

web by admin positive thinking abdul kalam quotes by former indian president and scientist abdul kalam perfectly encapsulate the mindset needed for entrepreneurs and visionaries only those who are unafraid to think outside the

**dr apj abdul kalam an inspiration monomousumi** - Feb 18 2022

web nov 1 2020 dr apj abdul kalam an inspiration by monomousumi november 1 2020 10507 0 4 2 5 13 votes according to me inspiration is the process of motivating a person to do something it is a feeling of excitement you get from someone that stimulates you to do many creative things

**110 dr a p j abdul kalam quotes thought motivational** - Sep 27 2022

web jun 24 2021 you can t change your future but you can change your habits and surely your habits will change your future a p j abdul kalam apj abdul kalam quotes for students the best brains of the nation may be found on the last benches of the classroom a p j abdul kalam

*how i am inspired by dr a p j abdul kalam dr b r* - Mar 22 2022

web apj abdul kalam a man who bring dignity to whatever he did he was not only scientist writer or president all above it he was a man of inspirational thoughts and motivational figures he defines what a man s life is for selfless devotion in the best possible way by being down to earth tanvir kaur for me dr

*apj abdul kalam quotes inspire you to dream and innovate in life* - Jul 26 2022

web 30 inspiring apj abdul kalam quotes to dream and innovate in life 1 you have to dream before your dreams can come true most people they raise a family earn a living and then they die never follow them 2 a dream is not that which you see while sleeping it is something that does not let you sleep

motivating thoughts apj abdul kalam google books - Dec 31 2022

web jan 1 2020 in motivating thoughts apj abdul kalam readers will find a compilation of kalam s uplifting thoughts and philosophies that inspire action resilience and positive change key aspects of the book motivating thoughts apj abdul kalam positive mindset explore kalam 39 s empowering thoughts that encourage

*top 55 apj abdul kalam quotes for inspiration and motivation* - Oct 29 2022

web oct 14 2023 apj abdul kalam quotes get here top and best inspirational quotes by apj abdul kalam on education life passion motivation positive thinking and success in words and images form

60 dr apj abdul kalam quotes thoughts to inspire you - Aug 27 2022

web oct 1 2019 famous people quotes dr apj abdul kalam quotes on life dreams success and failure small aim is a crime have great aim apj abdul kalam a scientist who requires no introduction at all apj abdul kalam let s dive into the famous quotes by apj abdul kalam about success that will inspire you to work hard

*inspiring thoughts avul pakir jainulabdeen abdul kalam* - Jul 06 2023

web inspiring thoughts avul pakir jainulabdeen abdul kalam google books selected quotations from sayings and writings of a former president scientist and writer from india

**111 motivational quotes by dr apj abdul kalam be an inspirer** - Oct 09 2023

web mar 11 2023 111 motivational quotes by dr apj abdul kalam for students the missile man of india dr apj abdul kalam is admired by many all around the world motivate yourself with the collection of 111 quotes by kalam sir thoughts to help you achieve your dreams he was a great teacher scientist and the people s president

**apj abdul kalam quotes thoughts that will inspire your life** - May 24 2022

web apr 15 2023 quotes apj abdul kalam quotes thoughts that will inspire your life dream dream dream dream transform into thoughts and thoughts result in action read more apj abdul kalam quotes thoughts published 7 months ago on april 15

2023 by yourself team apj abdul kalam quotes and thoughts

*top 25 quotes by abdul kalam of 142 a z quotes* - Apr 03 2023

web 15 copy quote thinking should become your capital asset no matter whatever ups and downs you come across in your life abdul kalam inspirational motivational success ten inspirational quotes by apj abdul kalam on his second death anniversary newsgram com july 27 2017 39 copy quote

**apj abdul kalam quotes unlock success through inspirational thoughts** - Sep 08 2023

web jul 26 2023 quotes by apj abdul kalam inspiring thoughts for a positive life and success get inspired by the words of dr apj abdul kalam this collection of motivational quotes will

*inspiring thoughts by a p j abdul kalam goodreads* - Jun 05 2023

web jan 1 2012 inspiring thoughts a p j abdul kalam 4 30 657 ratings 17 reviews selected quotations from sayings and writings of a former president scientist and writer from india genres nonfiction 104 pages hardcover first published january 1 2012 book details editions about the author a p j abdul kalam 115 books 1 773 followers

**a p j abdul kalam biography history books thoughts** - Feb 01 2023

web oct 11 2023 a p j abdul kalam the esteemed scientist and former president of india left an enduring legacy through his contributions to space research and inspiring millions with his vision for a prosperous nation

**a p j abdul kalam wikipedia** - Nov 29 2022

web inspiring thoughts by a p j abdul kalam rajpal sons 2007 indomitable spirit by a p j abdul kalam rajpal sons publishing

204 envisioning an empowered nation by a p j abdul kalam with a sivathanu pillai tata mcgraw hill new delhi 205

**glasmalereien des 19 jahrhunderts thüringen die kirchen** - Oct 15 2023

web thüringen die kirchen bücher gebraucht antiquarisch neu kaufen preisvergleich käuferschutz wir bücher glasmalereien des 19 jahrhunderts

*die glasmalereien des 19 und 20 jahrhunderts im k* - Feb 07 2023

web institutions theory and practice second scientific conference june 19 20 2018 toruń poland aug 08 2023 the societies of southern africa in the 19th and 20th centuries may 05 2023 19th and 20th century prints sep 09 2023 disaster relief act of 1965 july 19 and 20 1966 89 22 jul 07 2023 committee serial no 89 22

**die glasmalereien vom mittelalter bis 1930 im kanton thurgau de** - Aug 13 2023

web apr 19 2022 arts general genres other deutsch audience art historians historians stained glass researchers for the first time in the history of the swiss corpus vitrearum this volume on the canton of thurgau also includes glass

glasmalereien des 19 jahrhunderts ab 4 95 - Feb 24 2022

web 9783361005587 glasmalereien des 19 glasmalereien des 19 jahrhunderts sachsen anhalt die kirchen herausgegeben von der arbeitsstelle für glasmalereiforschung des corpus vitrearum medii aevi potsdam der berlin brandenburgischen akademie der wissenschaften 8 angebote vergleichen preise

**glasmalereien des 19 jahrhunderts thüringen die kirchen** - Sep 14 2023

web glasmalereien des 19 jahrhunderts thüringen die kirchen finden sie alle bücher von bornschein falko gassmann ulrich bei der büchersuchmaschine eurobuch com können sie antiquarische und neubücher vergleichen und sofort zum bestpreis bestellen 9783361006140 die traditionen der glasmalerei herstellung

**die glasmalereien vom mittelalter bis 1930 im kanton thurgau de** - Sep 02 2022

web apr 19 2022 erstmals in der geschichte des schweizer corpus vitrearum sind im band zum kanton thurgau auch die glasmalereien des 19 und frühen 20 jahrhunderts erfasst während die erforschung der vor 1800 geschaffenen glasgemälde erkenntnisse zum stiftungswesen in einem von den eidgenössischen orten gemeinsam verwalteten

**glasmalereien des 19 jahrhunderts thüringen die kirchen** - Jun 11 2023

web glasmalereien des 19 jahrhunderts thüringen die kirchen bornschein falko gassmann ulrich amazon de bücher

**glasmalerei wikipedia** - Jan 06 2023

web erst zu beginn des 19 jahrhunderts erlebte die glasmalerei eine zweite blütezeit bis zu beginn des 20 jahrhunderts könig ludwig i förderte in münchen die gründung von werkstätten aber auch in benediktbeuern goch kevelaer düsseldorf köln linnich zittau berlin innsbruck und freiburg i Ü wurden glasmalereifirmen

**glasmalereien des 19 jahrhunderts thüringen die k livre** - Mar 28 2022

web glasmalereien des 19 jahrhunderts thüringen die k livre état très bon eur 9 02 À vendre glasmalereien des 19 jahrhunderts thüringen d occasion très bon second hand 125884015086

glasmalereien des 19 jahrhunderts thüringen paperback - Jun 30 2022

web glasmalereien des 19 jahrhunderts thüringen on amazon com free shipping on qualifying offers glasmalereien des 19 jahrhunderts thüringen

*glasmalereien des 19 jahrhunderts thüringen die kirchen* - May 10 2023

web abebooks com glasmalereien des 19 jahrhunderts thüringen die kirchen seemann henschel leipzig 2006 847 seiten mit zahlreichen bildern kartoniert edition leipzig 1295 gramm

**glasmalereien des 19 jahrhunderts thüringen die kirchen** - Dec 05 2022

web glasmalereien des 19 jahrhunderts thüringen die kirchen bornschein falko gassmann ulrich

die glasmalereien vom mittelalter bis 1930 im kanton thurgau - Nov 04 2022

web erstmals in der geschichte des schweizer corpus vitrearum sind im band zum kanton thurgau auch die glasmalereien des 19 und frühen 20 jahrhunderts erfasst während die erforschung der vor 1800 geschaffenen glasgemälde erkenntnisse zum stiftungswesen in einem von den eidgenössischen orten gemeinsam verwalteten gebiet bringt lässt

**glasmalereien des 19 jahrhunderts thüringen die kirchen by** - May 30 2022

web glasmalereien des 19 jahrhunderts thüringen die kirchen kirchen potsdam abebooks liebfrauenkirche arnstadt thüringen dornbacher kirche wien geschichte wiki glasmalereien des 19 jahrhunderts sachsen anhalt i glasmalereien des 19 jahrhunderts berlin brandenburg die 9783361005648 glasmalereien des 19

**glasmalereien des 19 jahrhunderts thüringen die kirchen** - Oct 03 2022

web retrouvez glasmalereien des 19 jahrhunderts thüringen die kirchen bornschein falko et des millions de livres en stock sur amazon fr achetez neuf ou d occasion

**kategorie glasmalerei 19 jahrhundert wikipedia** - Apr 09 2023

web diese kategorie enthält folgende unterkategorie in klammern die anzahl der enthaltenen kategorien k seiten s dateien d c glasmalerei des 19 jahrhunderts christentum 86 s einträge in der kategorie glasmalerei 19 jahrhundert folgende 2 einträge sind in dieser kategorie von 2 insgesamt j st hippolyte jaligny sur besbre

**königliches glasmalerei institut wikipedia** - Aug 01 2022

web die zahlreichen arbeiten die vielfach die zerstörungen des zweiten weltkrieges nicht überdauert haben entstanden in der gesamten zweiten hälfte des 19 jahrhunderts denn erst im märz 1905 stellte das berliner institut seinen

reinhard kühl glasmalereien des 19 jahrhunderts mecklenburg - Mar 08 2023

web jan 1 2003 article reinhard kühl glasmalereien des 19 jahrhunderts mecklenburg vorpommern die kirchen was

published on january 1 2003 in the journal die denkmalpflege volume 61 issue 1

[glasmalereien des 19 jahrhunderts thuringen die k download](#) - Jul 12 2023

web glasmalereien des 19 jahrhunderts thuringen die k mr tucket jun 30 2021 fourteen year old francis tucket is heading west on the oregon trail with his family by wagon train when he receives a rifle for his birthday he is thrilled that he is being treated like an adult but francis lags behind to practice shooting and is captured by pawnees

**malerei des 19 jahrhunderts in kunst lernhelfer** - Apr 28 2022

web jahrhunderts die malerei weniger zeit und kostenintensiv als architektur und skulptur und darum auch unabhängiger von aufträgen reagierte am beweglichsten auf die sich im 19 jahrhundert ereignenden umwälzungen in allen lebensbereichen und entwickelte dabei viele ganz unterschiedliche sicht und stilweisen

[le petit dico d aqui glossaire du français de gérard jacquet](#) - Dec 10 2022

web may 8 2009 le petit dico d aqui glossaire du français parlé en roussillon volume 2 de gérard jacquet Éditeur trabucaire editions livraison gratuite à 0 01 dès 35 d achat librairie decitre votre prochain livre est là

**le petit dico d aqui t 2 gérard jacquet 2849740888 cultura** - May 15 2023

web le petit dico d aqui t 2 par gérard jacquet aux éditions trabucaire voici le volume 2 du petit dico d aquí comme le premier volume cet ouvrage rassemble une série de rubriques radiophoniques diffusées en 2008 et 2009 sur franc

*le petit dico d aqui glossaire du français parlé en roussillon* - Nov 09 2022

web sous la dénomination de petit dico d aqui cet ouvrage rassemble une série de rubriques radiophoniques diffusées en 2006 et 2007 sur france bleu roussillon radio de proximité du service public qui émet sur les pyrénées orientales

**le petit dico d aqui t2 by gérard jacquet** - Apr 02 2022

web a venir wook fr le petit dico d aqui t2 jacquet grand livres calamo lectures 132 septembre octobre 2003 cdn loc edms ncdmb gov ng 2 32 gov full text of arte del verso italiano con le tauole delle cirugia general by jesus

**le petit dico d aqui t2 pdf download only red ortax** - Oct 08 2022

web le petit dico d aqui t2 pdf introduction le petit dico d aqui t2 pdf download only heraclitus heraclitus 1962 a text and study of heraclitus philosophical utterances whose subject is the world as a whole rather than man and his part in it democratic policies for language revitalisation the case of catalan

**amazon fr le petit dico d aqui t2 jacquet gérard livres** - Oct 20 2023

web noté 5 retrouvez le petit dico d aqui t2 et des millions de livres en stock sur amazon fr achetez neuf ou d occasion

*le petit dico d aqui t2 by gérard jacquet rhur impacthub net* - Jul 05 2022

web april 27th 2020 voici le volume 2 du petit dico d aqui me le premier volume cet ouvrage rassemble une série de rubriques radiophoniques diffusées en 2008 et 2009 sur france bleu roussillon radio de proximité du service public qui émet

sur les pyrénées orientales

[le petit dico d aqui t2 bespoke cityam com](#) - Jun 04 2022

web le petit dico d aqui t2 le petit dico d aqui t2 4 downloaded from bespoke cityam com on 2023 03 14 by guest sometimes in competition with numerous other languages which have taken influence on the various local varieties of french and continue to do so today this handbook provides an overview of the different linguistic situations and

[petit dico daqui abebooks](#) - Apr 14 2023

web le petit dico d aqui t2 by jacquet gérard and a great selection of related books art and collectibles available now at abebooks co uk

**le petit dico d aqui gerard jacquet senscritique** - Mar 01 2022

web le petit dico d aqui est un livre de gerard jacquet null

**le petit dico d aqui t2 couverture souple abebooks france** - Jul 17 2023

web le petit dico d aqui t2 de jacquet gérard isbn 10 2849740888 isbn 13 9782849740880 trabucaire 2009 couverture souple

**le petit dico d aqui fnac** - Jun 16 2023

web glossaire du français parlé en roussillon tome 2 le petit dico d aqui gérard jacquet trabucaire eds des milliers de livres avec la livraison chez vous en 1 jour ou en magasin avec 5 de réduction

**le petit dico d aqui t2 glossaire du français parlé en roussillon** - Aug 18 2023

web apr 3 2009 le petit dico d aqui t2 glossaire du français parlé en roussillon volume 2 jacquet gérard amazon de books

[le petit dico d aqui t2 dna viz tpq](#) - Aug 06 2022

web oct 30 2023 le petit dico d aqui t2 le nouveau testament en françois avec des réflexions morales sur chaque verset by p quesnel nouvelle édition corrigée augmentée par l auteur

[le petit dico d aqui t2 glossaire du français parlé en roussillon](#) - Mar 13 2023

web le petit dico d aqui t2 glossaire du français parlé en roussillon volume 2 jacquet gérard amazon it libri

[le petit dico d aqui t 2 lecteurs com](#) - Feb 12 2023

web apr 2 2009 voici le volume 2 du petit dico d aquí comme le premier volume cet ouvrage rassemble une série de rubriques radiophoniques diffusées en 2008 et 2009 sur le petit dico d aqui t 2 de gerard jacquet aux éditions trabucaire lecteurs com

**le petit dico d aqui t2 glossaire du français parlé en roussillon** - Jan 11 2023

web le petit dico d aqui t2 glossaire du français parlé en roussillon volume 2 jacquet gérard isbn 9782849740880 kostenloser versand für alle bücher mit versand und verkauf duch amazon

**le petit dico d aqui t2 help environment harvard edu** - Sep 07 2022

web as this le petit dico d aqui t2 it ends going on instinctive one of the favored ebook le petit dico d aqui t2 collections that we have this is why you remain in the best website to see the incredible books to have livres de france 2009 05 host bibliographic record for boundwith item barcode 30112044669122 and others 2013

**le petit dico d aqui tii paperback 2 april 2009 amazon com au** - Sep 19 2023

web le petit dico d aqui tii jacquet gerard on amazon com au free shipping on eligible orders le petit dico d aqui tii

**le petit dico d aqui t2 book cyberlab sutd edu sg** - May 03 2022

web le petit dico d aqui t2 naamlijst van boeken der publieke leesbibliotheek sep 30 2021 actitudes lingüísticas escuela e inmigracion los escolares ante la diversidad lingüística y cultural jun 08 2022 en los países de europa occidental se están produciendo profundas transformaciones fruto de la llegada de población inmigrante