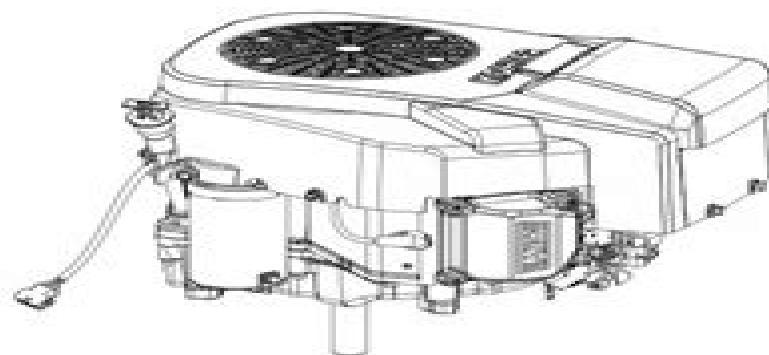
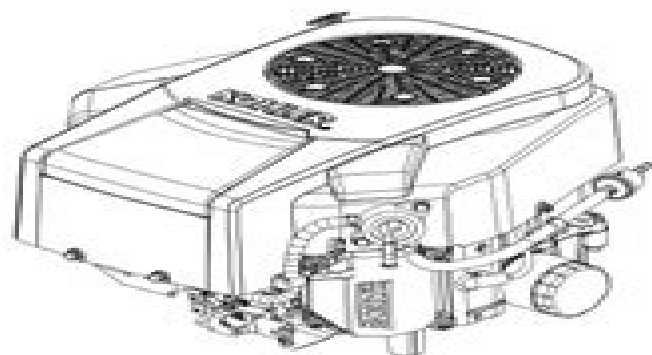


**KOHLER.** Courage

**KOHLER.** Courage PRO



---

---

---

---

---

# Kohler Courage Model Sv725 24hp Engine Workshop Manual

**BM King**



**Kohler Courage Model Sv725 24hp Engine Workshop Manual:**

Recognizing the pretentiousness ways to acquire this book **Kohler Courage Model Sv725 24hp Engine Workshop Manual** is additionally useful. You have remained in right site to begin getting this info. acquire the Kohler Courage Model Sv725 24hp Engine Workshop Manual link that we pay for here and check out the link.

You could buy guide Kohler Courage Model Sv725 24hp Engine Workshop Manual or get it as soon as feasible. You could quickly download this Kohler Courage Model Sv725 24hp Engine Workshop Manual after getting deal. So, next you require the book swiftly, you can straight acquire it. Its thus completely easy and correspondingly fats, isnt it? You have to favor to in this tune

[https://staging.conocer.cide.edu/About/uploaded-files/Download\\_PDFS/kubota%20zd28%20zero%20turn%20mower%20manual.pdf](https://staging.conocer.cide.edu/About/uploaded-files/Download_PDFS/kubota%20zd28%20zero%20turn%20mower%20manual.pdf)

## **Table of Contents Kohler Courage Model Sv725 24hp Engine Workshop Manual**

1. Understanding the eBook Kohler Courage Model Sv725 24hp Engine Workshop Manual
  - The Rise of Digital Reading Kohler Courage Model Sv725 24hp Engine Workshop Manual
  - Advantages of eBooks Over Traditional Books
2. Identifying Kohler Courage Model Sv725 24hp Engine Workshop Manual
  - Exploring Different Genres
  - Considering Fiction vs. Non-Fiction
  - Determining Your Reading Goals
3. Choosing the Right eBook Platform
  - Popular eBook Platforms
  - Features to Look for in an Kohler Courage Model Sv725 24hp Engine Workshop Manual
  - User-Friendly Interface
4. Exploring eBook Recommendations from Kohler Courage Model Sv725 24hp Engine Workshop Manual
  - Personalized Recommendations
  - Kohler Courage Model Sv725 24hp Engine Workshop Manual User Reviews and Ratings

- Kohler Courage Model Sv725 24hp Engine Workshop Manual and Bestseller Lists
- 5. Accessing Kohler Courage Model Sv725 24hp Engine Workshop Manual Free and Paid eBooks
  - Kohler Courage Model Sv725 24hp Engine Workshop Manual Public Domain eBooks
  - Kohler Courage Model Sv725 24hp Engine Workshop Manual eBook Subscription Services
  - Kohler Courage Model Sv725 24hp Engine Workshop Manual Budget-Friendly Options
- 6. Navigating Kohler Courage Model Sv725 24hp Engine Workshop Manual eBook Formats
  - ePub, PDF, MOBI, and More
  - Kohler Courage Model Sv725 24hp Engine Workshop Manual Compatibility with Devices
  - Kohler Courage Model Sv725 24hp Engine Workshop Manual Enhanced eBook Features
- 7. Enhancing Your Reading Experience
  - Adjustable Fonts and Text Sizes of Kohler Courage Model Sv725 24hp Engine Workshop Manual
  - Highlighting and Note-Taking Kohler Courage Model Sv725 24hp Engine Workshop Manual
  - Interactive Elements Kohler Courage Model Sv725 24hp Engine Workshop Manual
- 8. Staying Engaged with Kohler Courage Model Sv725 24hp Engine Workshop Manual
  - Joining Online Reading Communities
  - Participating in Virtual Book Clubs
  - Following Authors and Publishers Kohler Courage Model Sv725 24hp Engine Workshop Manual
- 9. Balancing eBooks and Physical Books Kohler Courage Model Sv725 24hp Engine Workshop Manual
  - Benefits of a Digital Library
  - Creating a Diverse Reading Collection Kohler Courage Model Sv725 24hp Engine Workshop Manual
- 10. Overcoming Reading Challenges
  - Dealing with Digital Eye Strain
  - Minimizing Distractions
  - Managing Screen Time
- 11. Cultivating a Reading Routine Kohler Courage Model Sv725 24hp Engine Workshop Manual
  - Setting Reading Goals Kohler Courage Model Sv725 24hp Engine Workshop Manual
  - Carving Out Dedicated Reading Time
- 12. Sourcing Reliable Information of Kohler Courage Model Sv725 24hp Engine Workshop Manual
  - Fact-Checking eBook Content of Kohler Courage Model Sv725 24hp Engine Workshop Manual
  - Distinguishing Credible Sources

13. Promoting Lifelong Learning
  - Utilizing eBooks for Skill Development
  - Exploring Educational eBooks
14. Embracing eBook Trends
  - Integration of Multimedia Elements
  - Interactive and Gamified eBooks

### **Kohler Courage Model Sv725 24hp Engine Workshop Manual Introduction**

In this digital age, the convenience of accessing information at our fingertips has become a necessity. Whether its research papers, eBooks, or user manuals, PDF files have become the preferred format for sharing and reading documents. However, the cost associated with purchasing PDF files can sometimes be a barrier for many individuals and organizations. Thankfully, there are numerous websites and platforms that allow users to download free PDF files legally. In this article, we will explore some of the best platforms to download free PDFs. One of the most popular platforms to download free PDF files is Project Gutenberg. This online library offers over 60,000 free eBooks that are in the public domain. From classic literature to historical documents, Project Gutenberg provides a wide range of PDF files that can be downloaded and enjoyed on various devices. The website is user-friendly and allows users to search for specific titles or browse through different categories. Another reliable platform for downloading Kohler Courage Model Sv725 24hp Engine Workshop Manual free PDF files is Open Library. With its vast collection of over 1 million eBooks, Open Library has something for every reader. The website offers a seamless experience by providing options to borrow or download PDF files. Users simply need to create a free account to access this treasure trove of knowledge. Open Library also allows users to contribute by uploading and sharing their own PDF files, making it a collaborative platform for book enthusiasts. For those interested in academic resources, there are websites dedicated to providing free PDFs of research papers and scientific articles. One such website is Academia.edu, which allows researchers and scholars to share their work with a global audience. Users can download PDF files of research papers, theses, and dissertations covering a wide range of subjects. Academia.edu also provides a platform for discussions and networking within the academic community. When it comes to downloading Kohler Courage Model Sv725 24hp Engine Workshop Manual free PDF files of magazines, brochures, and catalogs, Issuu is a popular choice. This digital publishing platform hosts a vast collection of publications from around the world. Users can search for specific titles or explore various categories and genres. Issuu offers a seamless reading experience with its user-friendly interface and allows users to download PDF files for offline reading. Apart from dedicated platforms, search engines also play a crucial role in finding free PDF files. Google, for instance, has an advanced search feature that allows users to filter results by file type. By

specifying the file type as "PDF," users can find websites that offer free PDF downloads on a specific topic. While downloading Kohler Courage Model Sv725 24hp Engine Workshop Manual free PDF files is convenient, it's important to note that copyright laws must be respected. Always ensure that the PDF files you download are legally available for free. Many authors and publishers voluntarily provide free PDF versions of their work, but it's essential to be cautious and verify the authenticity of the source before downloading Kohler Courage Model Sv725 24hp Engine Workshop Manual. In conclusion, the internet offers numerous platforms and websites that allow users to download free PDF files legally. Whether it's classic literature, research papers, or magazines, there is something for everyone. The platforms mentioned in this article, such as Project Gutenberg, Open Library, Academia.edu, and Issuu, provide access to a vast collection of PDF files. However, users should always be cautious and verify the legality of the source before downloading Kohler Courage Model Sv725 24hp Engine Workshop Manual any PDF files. With these platforms, the world of PDF downloads is just a click away.

## **FAQs About Kohler Courage Model Sv725 24hp Engine Workshop Manual Books**

**What is a Kohler Courage Model Sv725 24hp Engine Workshop Manual PDF?** A PDF (Portable Document Format) is a file format developed by Adobe that preserves the layout and formatting of a document, regardless of the software, hardware, or operating system used to view or print it.

**How do I create a Kohler Courage Model Sv725 24hp Engine Workshop Manual PDF?** There are several ways to create a PDF: Use software like Adobe Acrobat, Microsoft Word, or Google Docs, which often have built-in PDF creation tools. Print to PDF: Many applications and operating systems have a "Print to PDF" option that allows you to save a document as a PDF file instead of printing it on paper. Online converters: There are various online tools that can convert different file types to PDF.

**How do I edit a Kohler Courage Model Sv725 24hp Engine Workshop Manual PDF?** Editing a PDF can be done with software like Adobe Acrobat, which allows direct editing of text, images, and other elements within the PDF. Some free tools, like PDFescape or Smallpdf, also offer basic editing capabilities.

**How do I convert a Kohler Courage Model Sv725 24hp Engine Workshop Manual PDF to another file format?** There are multiple ways to convert a PDF to another format: Use online converters like Smallpdf, Zamzar, or Adobe Acrobat's export feature to convert PDFs to formats like Word, Excel, JPEG, etc. Software like Adobe Acrobat, Microsoft Word, or other PDF editors may have options to export or save PDFs in different formats.

**How do I password-protect a Kohler Courage Model Sv725 24hp Engine Workshop Manual PDF?** Most PDF editing software allows you to add password protection. In Adobe Acrobat, for instance, you can go to "File" -> "Properties" -> "Security" to set a password to restrict access or editing capabilities.

Are there any free alternatives to Adobe Acrobat for working with PDFs? Yes, there are many free alternatives for working with PDFs, such as: LibreOffice: Offers PDF editing features.

PDFsam: Allows splitting, merging, and editing PDFs. Foxit Reader: Provides basic PDF viewing and editing capabilities. How do I compress a PDF file? You can use online tools like Smallpdf, ILovePDF, or desktop software like Adobe Acrobat to compress PDF files without significant quality loss. Compression reduces the file size, making it easier to share and download. Can I fill out forms in a PDF file? Yes, most PDF viewers/editors like Adobe Acrobat, Preview (on Mac), or various online tools allow you to fill out forms in PDF files by selecting text fields and entering information. Are there any restrictions when working with PDFs? Some PDFs might have restrictions set by their creator, such as password protection, editing restrictions, or print restrictions. Breaking these restrictions might require specific software or tools, which may or may not be legal depending on the circumstances and local laws.

### **Find Kohler Courage Model Sv725 24hp Engine Workshop Manual :**

*kubota zd28 zero turn mower manual*

kubota b1550hst d tractor illustrated master parts manual instant

**kubota zd18 zero turn mower workshop service repair manual**

*kubota d1105 manual*

*kubota b6200hst b7200hst service repair workshop manual*

*kubota enclosure manual bx*

*ku intake 2015*

**kubota ea300 el3000 diesel repair manual**

**kubota g3hst manual**

kubota generator workshop manual

*kubota d750 manual*

**kubota la301 loader manual**

*kubota mini excavator operators manual*

*kubota b2320 repair manual*

*kubota d950 manual*

### **Kohler Courage Model Sv725 24hp Engine Workshop Manual :**

Douglas McTaggart: 9781442550773 - Economics 7th Ed. Comprehensive Economics text book covering both micro and macroeconomic theories and application. "synopsis" may belong to another edition of this title. Economics - Douglas



McTaggart, Christopher Charles ... Economics 7th edition provides a streamlined approach to study and ... Douglas  
McTaggart, Christopher Findlay, Michael Parkin Limited preview - 2015. Economics Economics by Douglas F. McTaggart,  
Christopher Findlay ... Economics 7E provides a streamlined approach to study and recognises the difficulties some students  
may face in comprehending key concepts. By leaving the more ... Economics - Douglas McTaggart, Christopher Findlay, ...  
May 20, 2015 — Economics 7th edition provides a streamlined approach to study and ... Douglas McTaggart, Christopher  
Findlay, Michael Parkin. Edition, 7. Economics / Douglas McTaggart, Christopher Findlay, ... The seventh edition of this  
benchmark Australian text continues to offer students a comprehensive and relevant introduction to economics whilst  
offering ... Mctaggart Findlay Parkin | Get Textbooks by Douglas Mctaggart, Michael Parkin, Christopher Findlay 391 Pages,  
Published 2009. ISBN-13: 978-1-4425-1112-5, ISBN: 1-4425-1112-5. Economics 7th Ed.(7th ... Macroeconomics 7th edition  
9781442550797 Jul 15, 2020 — Macroeconomics 7th Edition is written by Douglas McTaggart; Christopher Findlay; Michael  
Parkin and published by P.Ed Australia. Microeconomics - Douglas McTaggart, Christopher Findlay ... The seventh edition of  
this benchmark Australian text continues to offer students a comprehensive and relevant introduction to economics whilst  
offering ... Macroeconomics / Douglas McTaggart, Christopher ... Macroeconomics / Douglas McTaggart, Christopher  
Findlay, Michael Parkin-book. ... 7th ed. Show collections Hide collections. Show All Show Less. General note.  
MICROECONOMICS Title: Microeconomics / Douglas McTaggart, Christopher Findlay, Michael Parkin. ... this seventh  
edition of Economics. This comprehensive revision also ... Family Ties and Aging by Connidis, Ingrid Arnet Providing an  
integrated and thorough representation from current research and contemporary society, Family Ties and Aging shows how  
pressing issues of our ... Family Ties and Aging Providing an integrated and thorough representation from current research  
and contemporary society, Family Ties and Aging shows how pressing issues of our time— ... Family Ties & Aging - Books -  
Sage Knowledge Explores a range of intimate relationships, what happens when they end, and pathways to intimacy in old  
age. Emphasizes diversity in terms of gender, age, class ... Family ties and aging, 2nd ed. by IA Connidis · 2010 · Cited by  
1026 — Providing an integrated and thorough representation of what we know from current research and contemporary  
society, this book shows how pressing issues of ... Family Ties and Aging - Connidis, Ingrid Arnet: Books Providing an  
integrated and thorough representation of what we know from current research and contemporary society, Family Ties and  
Aging is the only book ... Family Ties and Aging - Gale eBooks Ingrid Arnet Connidis is Professor of Sociology at the  
University of Western Ontario, London, Canada. In 2001, she spent a stimulating term at Oregon State ... Family Ties and  
Aging 3rd edition 9781412992862 Family Ties and Aging 3rd Edition is written by Ingrid Arnet Connidis; Amanda E. Barnett  
and published by SAGE Publications, Inc. The Digital and eTextbook ... Family Ties and Aging by Ingrid Arnet Connidis  
Providing an integrated and thorough representation from current research and contemporary society, Family Ties and Aging  
shows how pressing issues of our ... Family Ties and Aging - Ingrid Arnet Connidis Providing an integrated and thorough

representation of what we know from current research and contemporary society, Family Ties and Aging is the only book ... Family Ties and Aging - Ingrid Arnet Connidis Providing an integrated and thorough representation of what we know from current research and contemporary society, Family Ties and Aging is the only book ... Kenexa Prove It Test Preparation - JobTestPrep JobTestPrep can help you prepare for Kenexa skills tests with full-length practice tests featuring questions of the same style and difficulty you'll ... Kenexa Assessment Test: Free Practice Tests (2023) Practice Kenexa assessment tests, with questions & answers written by experts. Includes Prove-It tests, logical reasoning tests, tips and worked solutions. Kenexa Assessment Prep - Prove It Tests Pack - JobTestPrep Prepare for your Excel, Word, Accounting, Typing, and Data Entry Kenexa Assessment (Prove It Tests) with JobTestPrep's practice tests. Start practicing now! Kenexa Prove It Test - Practice & Answers Nov 17, 2023 — Learn how to prepare for your upcoming Kenexa Prove It Test. Practice questions, answers and worked solutions. Improve your score with our ... IBM Kenexa Assessment Test: Free Practice Questions ... Learn about Kenexa aptitude assessments. Then practice free example Kenexa test questions online, with answers explained. IBM Kenexa Practice Tests with Answers & Explanations Practice sample IBM Kenexa tests which provide questions similar to that of the real test. Take the exam with the same time constraints and questions types! Kenexa Practice Test Preparation Guide Dec 6, 2023 — Check out our guide on how to pass Kenexa test using practice questions, useful tips, and recommendations created especially for the Kenexa ... Proveit tests answers Kazi, Uaijiri | Freelancer - The questions can be on any topic or category, so versatility in knowledge is a plus. Ideal Skills and Experience: - Proven experience in answering questions ... Kenexa 2x BrassRing - Talent Management Feb 2, 2012 — answered responses are not pre-filled for the selected questions. The ... The original integration with Kenexa Assessments, “Kenexa ProveIt! Online PHP Coding Test - 15+ questions to screen ... Jul 12, 2023 — We provide PHP code exams for your team that are realistic and useful, giving a precise assessment of candidates' PHP skills. Even if you don't ...