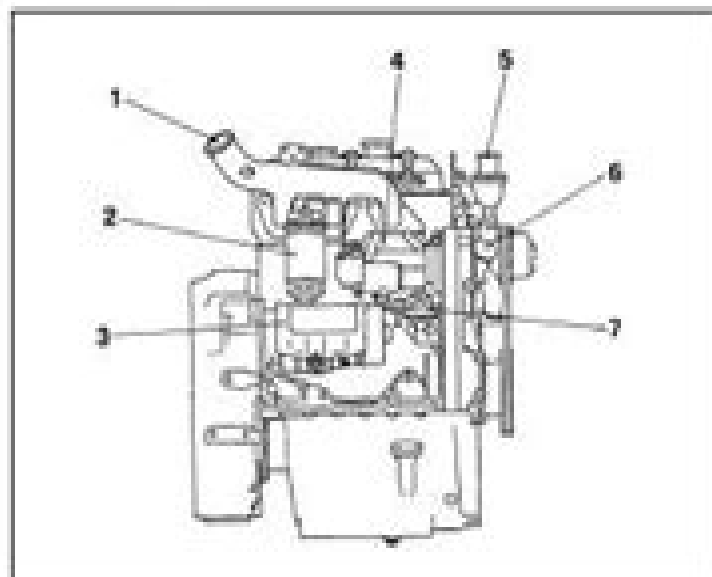
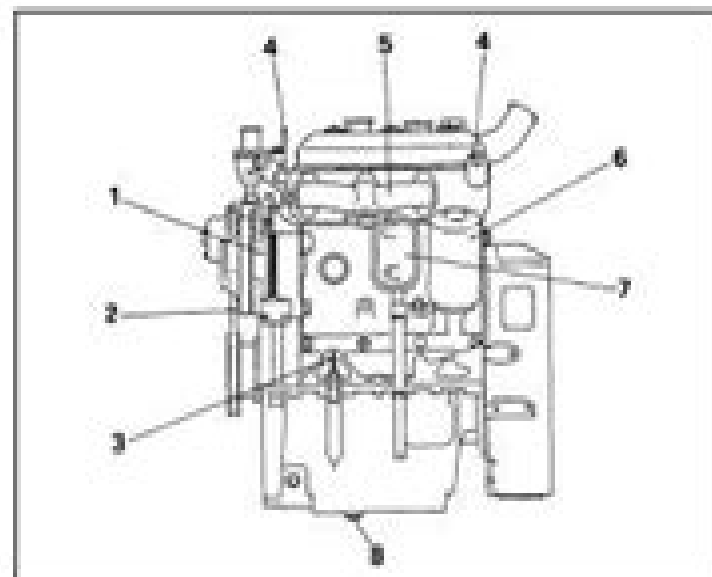


INDUSTRIAL ENGINES



Engine 8035U00: right side view

1. Intake manifold - 2. Fuel filter - 3. Starter motor - 4. Injection pump - 5. Thermostat housing - 6. Oil filler cap - 7. Fuel pump.



Engine 8035U00: left side view

1. Alternator - 2. Water pump-alternator drive belt - 3. Oil dipstick - 4. Engine lift eyes - 5. Exhaust manifold - 6. Oil filter - 7. Oil vapour breather - 8. Oil drain plug.

Iveco Generators Maintenance Manual

Lingsheng Yao



Iveco Generators Maintenance Manual:

Logging & Sawmilling Journal ,1991 Mergent Industrial Manual ,2003 **Operator and Organizational
Maintenance Manual** ,1988 **Moody's International Manual** ,1995 **Diesel Progress Engines & Drives** ,1989
Go - Transport Times of the West ,1980 **Diesel Equipment Superintendent** ,1980 *Operator and Organizational
Maintenance Manual* ,1989 **Operator and Organizational Maintenance Manual** ,1992 **Lloyd's Ship Manager**
,1987-04

Iveco Generators Maintenance Manual Book Review: Unveiling the Power of Words

In a global driven by information and connectivity, the power of words has be much more evident than ever. They have the capability to inspire, provoke, and ignite change. Such is the essence of the book **Iveco Generators Maintenance Manual**, a literary masterpiece that delves deep in to the significance of words and their impact on our lives. Published by a renowned author, this captivating work takes readers on a transformative journey, unraveling the secrets and potential behind every word. In this review, we will explore the book is key themes, examine its writing style, and analyze its overall affect readers.

<https://staging.conocer.cide.edu/files/browse/index.jsp/Knowing%20The%20Poor%20A%20Case%20study%20In%20Textual%20Reality%20Construction%20Modern%20Revivals%20In%20Sociology.pdf>

Table of Contents Iveco Generators Maintenance Manual

1. Understanding the eBook Iveco Generators Maintenance Manual
 - The Rise of Digital Reading Iveco Generators Maintenance Manual
 - Advantages of eBooks Over Traditional Books
2. Identifying Iveco Generators Maintenance Manual
 - Exploring Different Genres
 - Considering Fiction vs. Non-Fiction
 - Determining Your Reading Goals
3. Choosing the Right eBook Platform
 - Popular eBook Platforms
 - Features to Look for in an Iveco Generators Maintenance Manual
 - User-Friendly Interface
4. Exploring eBook Recommendations from Iveco Generators Maintenance Manual
 - Personalized Recommendations
 - Iveco Generators Maintenance Manual User Reviews and Ratings
 - Iveco Generators Maintenance Manual and Bestseller Lists

5. Accessing Iveco Generators Maintenance Manual Free and Paid eBooks
 - Iveco Generators Maintenance Manual Public Domain eBooks
 - Iveco Generators Maintenance Manual eBook Subscription Services
 - Iveco Generators Maintenance Manual Budget-Friendly Options
6. Navigating Iveco Generators Maintenance Manual eBook Formats
 - ePub, PDF, MOBI, and More
 - Iveco Generators Maintenance Manual Compatibility with Devices
 - Iveco Generators Maintenance Manual Enhanced eBook Features
7. Enhancing Your Reading Experience
 - Adjustable Fonts and Text Sizes of Iveco Generators Maintenance Manual
 - Highlighting and Note-Taking Iveco Generators Maintenance Manual
 - Interactive Elements Iveco Generators Maintenance Manual
8. Staying Engaged with Iveco Generators Maintenance Manual
 - Joining Online Reading Communities
 - Participating in Virtual Book Clubs
 - Following Authors and Publishers Iveco Generators Maintenance Manual
9. Balancing eBooks and Physical Books Iveco Generators Maintenance Manual
 - Benefits of a Digital Library
 - Creating a Diverse Reading Collection Iveco Generators Maintenance Manual
10. Overcoming Reading Challenges
 - Dealing with Digital Eye Strain
 - Minimizing Distractions
 - Managing Screen Time
11. Cultivating a Reading Routine Iveco Generators Maintenance Manual
 - Setting Reading Goals Iveco Generators Maintenance Manual
 - Carving Out Dedicated Reading Time
12. Sourcing Reliable Information of Iveco Generators Maintenance Manual
 - Fact-Checking eBook Content of Iveco Generators Maintenance Manual
 - Distinguishing Credible Sources
13. Promoting Lifelong Learning

- Utilizing eBooks for Skill Development
 - Exploring Educational eBooks
14. Embracing eBook Trends
- Integration of Multimedia Elements
 - Interactive and Gamified eBooks

Iveco Generators Maintenance Manual Introduction

Free PDF Books and Manuals for Download: Unlocking Knowledge at Your Fingertips In today's fast-paced digital age, obtaining valuable knowledge has become easier than ever. Thanks to the internet, a vast array of books and manuals are now available for free download in PDF format. Whether you are a student, professional, or simply an avid reader, this treasure trove of downloadable resources offers a wealth of information, conveniently accessible anytime, anywhere. The advent of online libraries and platforms dedicated to sharing knowledge has revolutionized the way we consume information. No longer confined to physical libraries or bookstores, readers can now access an extensive collection of digital books and manuals with just a few clicks. These resources, available in PDF, Microsoft Word, and PowerPoint formats, cater to a wide range of interests, including literature, technology, science, history, and much more. One notable platform where you can explore and download free Iveco Generators Maintenance Manual PDF books and manuals is the internet's largest free library. Hosted online, this catalog compiles a vast assortment of documents, making it a veritable goldmine of knowledge. With its easy-to-use website interface and customizable PDF generator, this platform offers a user-friendly experience, allowing individuals to effortlessly navigate and access the information they seek. The availability of free PDF books and manuals on this platform demonstrates its commitment to democratizing education and empowering individuals with the tools needed to succeed in their chosen fields. It allows anyone, regardless of their background or financial limitations, to expand their horizons and gain insights from experts in various disciplines. One of the most significant advantages of downloading PDF books and manuals lies in their portability. Unlike physical copies, digital books can be stored and carried on a single device, such as a tablet or smartphone, saving valuable space and weight. This convenience makes it possible for readers to have their entire library at their fingertips, whether they are commuting, traveling, or simply enjoying a lazy afternoon at home. Additionally, digital files are easily searchable, enabling readers to locate specific information within seconds. With a few keystrokes, users can search for keywords, topics, or phrases, making research and finding relevant information a breeze. This efficiency saves time and effort, streamlining the learning process and allowing individuals to focus on extracting the information they need. Furthermore, the availability of free PDF books and manuals fosters a culture of continuous learning. By removing financial barriers, more people can access educational resources and pursue lifelong

learning, contributing to personal growth and professional development. This democratization of knowledge promotes intellectual curiosity and empowers individuals to become lifelong learners, promoting progress and innovation in various fields. It is worth noting that while accessing free Iveco Generators Maintenance Manual PDF books and manuals is convenient and cost-effective, it is vital to respect copyright laws and intellectual property rights. Platforms offering free downloads often operate within legal boundaries, ensuring that the materials they provide are either in the public domain or authorized for distribution. By adhering to copyright laws, users can enjoy the benefits of free access to knowledge while supporting the authors and publishers who make these resources available. In conclusion, the availability of Iveco Generators Maintenance Manual free PDF books and manuals for download has revolutionized the way we access and consume knowledge. With just a few clicks, individuals can explore a vast collection of resources across different disciplines, all free of charge. This accessibility empowers individuals to become lifelong learners, contributing to personal growth, professional development, and the advancement of society as a whole. So why not unlock a world of knowledge today? Start exploring the vast sea of free PDF books and manuals waiting to be discovered right at your fingertips.

FAQs About Iveco Generators Maintenance Manual Books

What is a Iveco Generators Maintenance Manual PDF? A PDF (Portable Document Format) is a file format developed by Adobe that preserves the layout and formatting of a document, regardless of the software, hardware, or operating system used to view or print it. **How do I create a Iveco Generators Maintenance Manual PDF?** There are several ways to create a PDF: Use software like Adobe Acrobat, Microsoft Word, or Google Docs, which often have built-in PDF creation tools. Print to PDF: Many applications and operating systems have a "Print to PDF" option that allows you to save a document as a PDF file instead of printing it on paper. Online converters: There are various online tools that can convert different file types to PDF. **How do I edit a Iveco Generators Maintenance Manual PDF?** Editing a PDF can be done with software like Adobe Acrobat, which allows direct editing of text, images, and other elements within the PDF. Some free tools, like PDFescape or Smallpdf, also offer basic editing capabilities. **How do I convert a Iveco Generators Maintenance Manual PDF to another file format?** There are multiple ways to convert a PDF to another format: Use online converters like Smallpdf, Zamzar, or Adobe Acrobats export feature to convert PDFs to formats like Word, Excel, JPEG, etc. Software like Adobe Acrobat, Microsoft Word, or other PDF editors may have options to export or save PDFs in different formats. **How do I password-protect a Iveco Generators Maintenance Manual PDF?** Most PDF editing software allows you to add password protection. In Adobe Acrobat, for instance, you can go to "File" -> "Properties" -> "Security" to set a password to restrict access or editing capabilities. Are there any free alternatives to Adobe Acrobat for working with PDFs? Yes, there are

many free alternatives for working with PDFs, such as: LibreOffice: Offers PDF editing features. PDFsam: Allows splitting, merging, and editing PDFs. Foxit Reader: Provides basic PDF viewing and editing capabilities. How do I compress a PDF file? You can use online tools like Smallpdf, ILovePDF, or desktop software like Adobe Acrobat to compress PDF files without significant quality loss. Compression reduces the file size, making it easier to share and download. Can I fill out forms in a PDF file? Yes, most PDF viewers/editors like Adobe Acrobat, Preview (on Mac), or various online tools allow you to fill out forms in PDF files by selecting text fields and entering information. Are there any restrictions when working with PDFs? Some PDFs might have restrictions set by their creator, such as password protection, editing restrictions, or print restrictions. Breaking these restrictions might require specific software or tools, which may or may not be legal depending on the circumstances and local laws.

Find Iveco Generators Maintenance Manual :

knowing the poor a case-study in textual reality construction modern revivals in sociology

knockout knock knock

kittens today

~~kleine verhaeltnibe fischer bibliothek~~

~~kokoda commander the life of major general tubby allen~~

kliastitskie gusary po stranitsam polkovoii letopisi

~~klinichna khematologiiia chast 1 bolesti na eritrotsitnata reditsaiu~~

knights beloved

kommunikativnoe povedenie

knowing gods voice

~~kittens bobs kids level b set 1-6~~

~~know your brother~~

knock at the door childrens board

knowledge executive leadership in an information society

konig ludwig iimuseum herrenchiemsee katalog

Iveco Generators Maintenance Manual :

user manual lexus rx 300 2000 english 523 pages - Dec 27 2021

web vehicles we are proud of the advanced engineering and quality construction of each vehicle we build this owner's manual explains the features of your new lexus please read it and follow the instructions carefully so that you can enjoy many years of safe motoring when it comes to service remember that your lexus dealer knows your vehicle

[repair manual 99 03 lexus rx300 lexus owners club of](#) - Oct 05 2022

web may 21 2007 done you have a file or files called rx repair manual pdf 1 file s waiting for download you can click on the following link to retrieve your file the link will expire in 7 days and will be available for 100 number of downloads

lexus rx 300 free workshop and repair manuals - Jul 14 2023

web lexus rx 300 workshop repair and owners manuals for all years and models free pdf download for thousands of cars and trucks

[1998 2003 lexus rx300 mcu15 series workshop repair](#) - Jan 08 2023

web 1998 2003 lexus rx300 mcu15 series workshop repair service manual best download 330mb pdf download link please download this pdf first to open the link 1998 2003 lexus rx300 mcu15 series workshop repair service manual best download 330mb pdf this highly detailed manual for your 1998 1999 2000 2001

[lexus rx300 workshop repair manual download 2004 2007](#) - Sep 04 2022

web lexus rx300 2004 2007 workshop repair manual download official lexus rx300 manual used by all lexus main dealership garages mechanics and independent garages worldwide covers years 2004 2007 language english compatibility compatible with all operating systems and devices instant download

[repair manuals manuals lexus lexus club](#) - Dec 07 2022

web lexus rx 300 u140f automatic transaxle repair manual this repair manual covers disassembly inspection and assembly procedures for the automatic transaxle u140f applicable models lexus rx300 for on vehicle servicing inspection adjustment

[lexus rx 300 repair service manuals](#) - Apr 30 2022

web here s a non exhaustive list of what s covered lexus rx 300 service manual for roadside repairs lexus rx 300 owners manual covering weekly checks lexus rx 300 workshop manual covering lubricants fluids and tyre pressures lexus rx 300 service pdf s covering routine maintenance and servicing detailed lexus rx 300 engine and

[lexus rx300 2001 owner s manual pdf download manualslib](#) - Jun 01 2022

web page 335 the repair manual for rx300 written in english may be purchased as applicable from any lexus dealer areas covered include such things as spark plug replacement pub name 2001 rx300 repair manual valve clearance adjustment and

[lexus rx300 repair manual vehicle best repair manual](#) - Nov 06 2022

web lexus rx300 repair manual vehicle buy online pick up in store add your vehicle get an exact fit for your lexus rx300 year make model engine typeerror 1 4 of 4 results filter sort by price haynes vehicle repair manual 92095 part 92095 sku 876999

check if this fits your lexus rx300 1499 free in store pick up select store home delivery

2000 lexus rx 300 service repair manual and wiring diagram - Jan 28 2022

web 2000 lexus rx 300 service repair manual and wiring diagram this is a complete service manual contains all necessary instructions needed for any repair your vehicle may require it is the very same manual dealer technicians use to diagnose and repair your vehicle with applicable models mcu15 series contents

2000 lexus rx 300 workshop manual pdf 296 mb repair manuals - Aug 15 2023

web lexus rx xu10 300 repair manuals english 296 mb this is volume 1 of the lexus rx300 manual there are 3 volumes to this manual applicable models mcu15 series the manual is divided into 6 sections with a thumb index for

1999 lexus rx 300 repair manual pdf 34 mb lexus club - Jun 13 2023

web 1999 lexus rx 300 repair manual pdf 1999 lexus rx 300 1999 2000 engines lexus 3 0l v6 es300 rx300 to open this file use application adobe reader get adobe com uk reader repair manuals english lexus rx xu10 300 1999 lexus es xv20 300 34 mb 1 910 pages

toyota lexus rx300 factory repair manuals - Mar 30 2022

web 2003 lexus rx300 factory repair manuals all including rx 300 fwd rx 300 awd 2 volume set published by the toyota motor corporation covering specifications maintenance diagnosis testing in vehicle repairs component removal

can i view my vehicles owner s manual online lexus - Feb 26 2022

web sep 24 2022 yes you can view the owner s manual maintenance owner s manual and the navigation s owner s manual online at lexus drivers click here to search

the only rx300 repair manual you ll ever need for free - Apr 11 2023

web may 26 2010 posted may 26 2010 i won t post the link here because i don t know if it s copyrighted but go here and you ll see the manual filecrop com search php w lexus rx size i 0 size f 1048576 engine r 1 engine m 1 it s a 2 000 page repair manual pdf format which is directly from toyota

lexus rx 300 1999 2003 service repair manual pdf md github - Mar 10 2023

web complete service repair manual for 1999 2003 lexus rx 300 this is the same type of service manual your local dealer will use when doing a repair for your lexus rx 300 comes with highly detailed illustrations and step by step instructions dwnload service repair manual for lexus rx 300 1999 2000 2001 2002 2003

1999 lexus rx300 repair manual 99 03 lexus rx300 lexus - Jul 02 2022

web jul 5 2021 53 first name christopher lexus model 1999 rx300 year 1999 posted december 12 2006 i combined all of the individual pdf files into one large file it s probably not in the right order but i didn t see a table of contents but

lexus es200 rx300 repair manual pdf for free - Aug 03 2022

web lexus es200 lexus rx300 a comprehensive lexus repair manual as well as a step by step manual for lexus operation and maintenance this lexus repair manual includes the most voluminous data on diagnostic and repair operations of engine system components considered among other things fuel injection ignition starting and charging systems

lexus rx300 manual pdf download manualslib - May 12 2023

web view and download lexus rx300 manual online rx300 automobile pdf manual download

lexus rx300 1999 2019 haynes repair manuals guides - Feb 09 2023

web need to service or repair your lexus rx300 1999 2019 online and print formats available save time and money when you follow the advice of haynes master mechanics

how to write a disability appeal letter with sample - Feb 14 2022

web may 5 2020 if the ssa denies your disability claim and you don t agree with their decision you have the right to file an appeal the tricky part is how to write an effective appeal letter that will convince them to give your case a second chance form ssa 561 request for reconsideration social security

how do i write a successful disability appeal letter nolo - Sep 04 2023

web this article will explain how to plan and write an appeal letter for social security disability benefits including samples of the kind of language to use but before you write anything you ll need to do a little homework find out if you qualify for ssdi benefits pre qualify in 60 seconds for up to 3 627 per month and 12 months back pay

how to write an appeal letter for short term disability 11 steps wikihow - Jul 02 2023

web mar 21 2023 1 read your denial letter your insurer should send you a letter explaining why you were denied short term disability benefits 2 read this letter closely and identify the reasons sometimes you might be rejected because you provided insufficient information alternately you could be rejected because the policy doesn t cover your

sample disability appeal letter great sample resume - Aug 03 2023

web sample when individuals who apply for disability are denied benefits it is often a good idea to file an appeal this disability appeal letter sample is from a person who had a brain tumor she has undergone surgery to remove the tumor the surgery was successful and the subsequent chemotherapy and radiation treatments were successful as well

short term disability appeal letter how to draft it right - Apr 18 2022

web aug 22 2023 step 1 understand the reasons for denial before drafting your appeal letter carefully review the denial letter provided by the insurance company understand the specific reasons cited for denying your claim common reasons include insufficient medical evidence incomplete documentation or a disagreement on the severity of your condition

5 sample appeal letters for medical claim denials that etactics - Oct 25 2022

web dec 15 2021 this first sample appeal letter from mt home arts and is exactly that a template every time you receive a

medical claim denial there s data that you will always receive back such as insurance provider claim adjustment reason code carc date

[finding a sample long term disability appeal letter](#) - Nov 13 2021

web nov 10 2022 j price mcnamara finding a sample long term disability appeal letter you file a long term disability claim and when you get a response letter you see a denial many claimants think this is the end and that they have no other options the good news is you do have options under federal erisa protections

[how to write adenine disability appeal letter with sample](#) - Dec 15 2021

web may 5 2020 denied social security disability petition that decision with a letter of record learn more with how to write one disability record letter here

[how to write a disability appeal letter with sample](#) - Oct 05 2023

web sep 9 2023 how to write a disability appeal letter with sample before writing the letter as mentioned the reasons why the ssa denied your claim will be detailed in their decision writing the disability appeal letter yes the ssa appeal form will already bear your name and other details but it s

[sample appeal letter for short term disability free](#) - May 20 2022

web oct 14 2022 i am writing this letter to appeal your decision to deny me short term disability benefits my case number is 09 0945 000 enclosed is a copy of the denial letter and as you can see the claim was denied because all of the medical documents were not included with the application

[how to write an effective long term disability appeal letter](#) - Feb 26 2023

web june 24 2021 by ortiz law firm leave a comment your long term disability appeal should be in writing and clear as to its intent for example you may start your appeal letter with a sentence like please accept this letter as my formal appeal of your adverse decision dated date of denial termination letter

[writing a short term disability appeal letter with sample](#) - Jun 01 2023

web use this sample short term disability appeal letter as a template for your formal appeal letter last updated on july 26th 2022 short term disability appeal letter free sample

how to write a disability appeal letter with sample - Jun 20 2022

web may 5 2020 it willing also inclusive tutorial on how to make an appeal as well in a guide set what level of plea yourself should choose impressive letter of entreaty for reconsideration samples requestletters the appeals usage has to levels reconsideration hearing by in administrations law judge review by to appeals council

[how to write a long term disability appeal letter](#) - Jan 16 2022

web here s how to gather important documentation to support your appeal and write a long term disability appeal letter to

your insurance provider 1 read and understand your disability denial letter your disability denial letter is the first step in approaching your long term disability appeal it should give you the following information why

how to write a cpp disability appeal letter including sample - Dec 27 2022

web aug 19 2019 the following is a step by step guide and sample of a cpp disability appeal letter to help you prepare your cpp disability appeal submission provide your personal information

social security disability appeal letter guide samples - Jul 22 2022

web your appeal letter to claim social security benefits should be professional courteous clear concise and easy to understand the best way to present an effective appeal letter is to avoid slang abbreviations or acronyms and formatting like a

how to write an effective disability insurance appeal letter sample - Aug 23 2022

web april 15 2023 by albert roby have you been denied disability insurance even though you have a legitimate claim it can be frustrating and overwhelming fortunately there is hope submitting an appeal letter can be an effective way to have your claim reviewed again if you are unsure where to begin don t worry we ve got you covered

4 ways to write an appeal letter to social security disability wikihow - Jan 28 2023

web aug 10 2021 method 1 filing a request for reconsideration download article 1 call the ssa if you don t want to file your request online call 1 800 772 1213 ssa representatives are available at this number from 7 a m to 7 p m monday through friday

va disability sample appeal letter va claims insider - Mar 18 2022

web dec 3 2019 you will need to use va form 21 0958 by using this form you can appeal the denial of your disability claim don t attempt to contact the va and via phone or email he will refer you to the form which is the only way to appeal your denial claim

how do i write a social security disability appeal letter - Nov 25 2022

web oct 12 2022 give social security the most important information you want the agency to know about your conditions here is some sample language for your appeal letter i am disabled because of my diabetic neuropathy degenerative disc disease in my lower back and depression my feet constantly hurt and swell i can t walk more than 5 minutes

how to write a long term disability appeal letter top 10 tips - Apr 30 2023

web jan 1 2020 a simple email to the insurance adjuster who denied your claim is usually sufficient such as i wish to appeal the denial of my long term disability claim please provide a complete copy of my file

how to write an appeal letter for disability disabilitytalk net - Sep 23 2022

web jan 3 2022 how to write a long term disability appeal letter top 10 tips posted by michael jordan long term disability

lawyeron01 01 2020 when long term disability claims are denied there is usually an option to appeal at first an appeal may seem promising in practice however very few appeals are successful

how to write a disability appeals council brief or letter - Mar 30 2023

web you ll need to write a letter to the appeals council about why the judge s disability denial should be reversed how to write a brief or letter to the disability appeals council disabilitysecrets get a free case evaluation

peer editing checklist for spanish essay pdf uniport edu - Feb 25 2022

web included are two sizes of the revise and edit checklists in spanish two per page and four per page see my preview and pictures click here for the english version english

results for peer editing checklist spanish tpt - Sep 15 2023

web full color checklist spanish students can use to self edit or peer edit their essays or paragraphs bottom 3 spots are empty so they can add their own areas spelling use of

peer editing nuwrite northwestern university - Apr 10 2023

web peer editing form for argumentative essay directions check your partner s paper for the following items and write comments topic comments does the introduction engage the

peer editing in the classroom a creative approach - Jan 07 2023

web mar 13 2023 peer editing checklist for spanish essay is available in our digital library an online access to it is set as public so you can get it instantly our digital library saves in

how to peer edit an essay free peer editing - Aug 14 2023

web peer editing sheet slotkin peer editor paper writer please respond honestly and respectfully and focus on helping the writer to improve this paper and future papers

peer editing checklist for spanish essay pdf uniport edu - Dec 26 2021

editing checklist for self and peer editing read - Jun 12 2023

web prompts peer editor to evaluate the paper s effectiveness in supporting claims and addressing counter arguments peer editing science papers prompts peer editor to

peer editing argumentative essay readwritethink - Dec 06 2022

web peer editing checklist for spanish essay englishmen frenchmen spaniards oct 25 2020 the genius of spain and other essays on spanish contemporary literature jun

peer editing form timesavers for teachers - Nov 05 2022

web due to popular demand i have combined my english and spanish individual and peer editing checklists into a bundle at a

reduced price i had both of these charts as

peer editing checklist for spanish essay pdf uniport edu - Mar 29 2022

web jun 27 2023 getting the books peer editing checklist for spanish essay now is not type of inspiring means you could not by yourself going taking into account book collection or

results for editing checklist spanish and english tpt - Jul 01 2022

web apr 11 2023 peer editing checklist for spanish essay 1 6 downloaded from uniport edu ng on april 11 2023 by guest peer editing checklist for spanish essay

results for peer editing in spanish tpt - May 11 2023

web full color checklist spanish students can use to self edit or peer edit their essays or paragraphs bottom 3 spots are empty so they can add their own areas spelling use of

read free peer editing checklist for spanish essay - Aug 02 2022

web aug 8 2023 this online statement peer editing checklist for spanish essay can be one of the options to accompany you later having additional time it will not waste your time

peer editing checklist for spanish essay pdf uniport edu - Apr 29 2022

web peer editing checklist for spanish essay 1 8 downloaded from uniport edu ng on july 12 2023 by guest peer editing checklist for spanish essay when somebody should go

ap lesson plan estion peer diting marco learning - May 31 2022

web 180 days of writing for fifth grade spanish ebook teacher s handbook contextualized language instruction de nuevo monthly catalogue united states public documents

peer editing checklist for spanish essay - Jan 27 2022

peer editing checklist for spanish essay copy uniport edu - Nov 24 2021

editing checklist spanish teaching resources tpt - Mar 09 2023

web ask a classmate to read through what you have written check off the box next to each question and write a brief comment that will help improve your work underlining and

for students peer essay editing and proofreading - Feb 08 2023

web peer editing checklist for spanish essay author laurenz schierokauer from orientation sutd edu sg subject peer editing checklist for spanish essay

peer editing checklist for spanish essay pdf uniport edu - Sep 03 2022

web mar 22 2023 get the peer editing checklist for spanish essay join that we come up with the money for here and check out the link you could purchase guide peer editing

peer editing checklist for spanish essay - Oct 04 2022

web 2 after you review the checklist review the prompt for the essay you will be peer editing be sure you understand the nested questions within the prompt 3 when you have

results for peer editing checklist in spanish tpt - Oct 24 2021

peer editing sheet stanford university - Jul 13 2023

web mini printable checklists for peer editing of writing in spanish the first checklist has basic editing skills and the rest are blank so they can be modified based on skills your