

**NOTE:**  
Please read all instructions  
carefully before using this  
product

Table of Contents  
Safety Notice  
Hardware Pack  
Assembly Instruction  
Parts List  
Resistance Chart  
Warranty  
Ordering Parts

Model  
TSA-9900

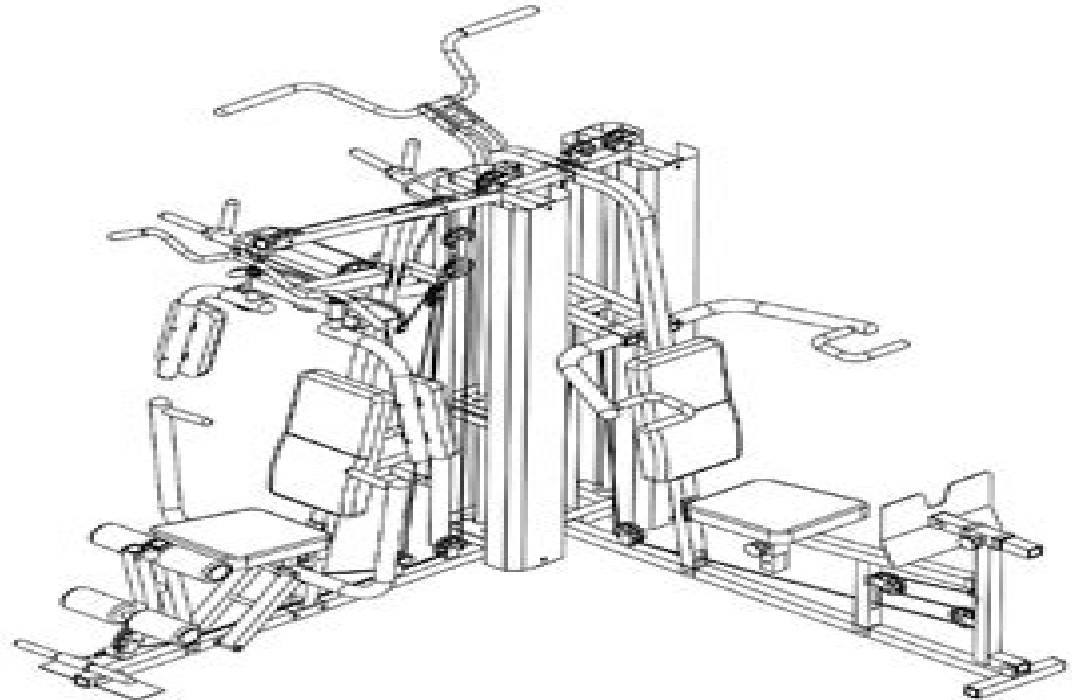
Retain This  
Manual for  
Reference

08-06-05

**OWNER'S  
MANUAL**

# IMPEX

## IRON GRIP STRENGTH Corner Gym TSA-9900



**IMPEX INC.**

14777 DON JULIAN RD., CITY OF INDUSTRY, CA 91746

Tel: (800) 999-8899 Fax: (626) 961-9966

[www.impex-fitness.com](http://www.impex-fitness.com)

[info@impex-fitness.com](mailto:info@impex-fitness.com)

# Impex Tsa 9900 Manual

**S Ashworth**



## **Impex Tsa 9900 Manual:**

Discover tales of courage and bravery in its empowering ebook, Unleash Courage in **Impex Tsa 9900 Manual** . In a downloadable PDF format ( Download in PDF: \*), this collection inspires and motivates. Download now to witness the indomitable spirit of those who dared to be brave.

[https://staging.conocer.cide.edu/book/virtual-library/Documents/les\\_petites\\_filles\\_modegraveles\\_la\\_comtesse\\_de\\_seacutegur\\_t\\_0.pdf](https://staging.conocer.cide.edu/book/virtual-library/Documents/les_petites_filles_modegraveles_la_comtesse_de_seacutegur_t_0.pdf)

## **Table of Contents Impex Tsa 9900 Manual**

1. Understanding the eBook Impex Tsa 9900 Manual
  - The Rise of Digital Reading Impex Tsa 9900 Manual
  - Advantages of eBooks Over Traditional Books
2. Identifying Impex Tsa 9900 Manual
  - Exploring Different Genres
  - Considering Fiction vs. Non-Fiction
  - Determining Your Reading Goals
3. Choosing the Right eBook Platform
  - Popular eBook Platforms
  - Features to Look for in an Impex Tsa 9900 Manual
  - User-Friendly Interface
4. Exploring eBook Recommendations from Impex Tsa 9900 Manual
  - Personalized Recommendations
  - Impex Tsa 9900 Manual User Reviews and Ratings
  - Impex Tsa 9900 Manual and Bestseller Lists
5. Accessing Impex Tsa 9900 Manual Free and Paid eBooks
  - Impex Tsa 9900 Manual Public Domain eBooks
  - Impex Tsa 9900 Manual eBook Subscription Services
  - Impex Tsa 9900 Manual Budget-Friendly Options

6. Navigating Impex Tsa 9900 Manual eBook Formats
  - ePub, PDF, MOBI, and More
  - Impex Tsa 9900 Manual Compatibility with Devices
  - Impex Tsa 9900 Manual Enhanced eBook Features
7. Enhancing Your Reading Experience
  - Adjustable Fonts and Text Sizes of Impex Tsa 9900 Manual
  - Highlighting and Note-Taking Impex Tsa 9900 Manual
  - Interactive Elements Impex Tsa 9900 Manual
8. Staying Engaged with Impex Tsa 9900 Manual
  - Joining Online Reading Communities
  - Participating in Virtual Book Clubs
  - Following Authors and Publishers Impex Tsa 9900 Manual
9. Balancing eBooks and Physical Books Impex Tsa 9900 Manual
  - Benefits of a Digital Library
  - Creating a Diverse Reading Collection Impex Tsa 9900 Manual
10. Overcoming Reading Challenges
  - Dealing with Digital Eye Strain
  - Minimizing Distractions
  - Managing Screen Time
11. Cultivating a Reading Routine Impex Tsa 9900 Manual
  - Setting Reading Goals Impex Tsa 9900 Manual
  - Carving Out Dedicated Reading Time
12. Sourcing Reliable Information of Impex Tsa 9900 Manual
  - Fact-Checking eBook Content of Impex Tsa 9900 Manual
  - Distinguishing Credible Sources
13. Promoting Lifelong Learning
  - Utilizing eBooks for Skill Development
  - Exploring Educational eBooks
14. Embracing eBook Trends
  - Integration of Multimedia Elements

- Interactive and Gamified eBooks

## **Impex Tsa 9900 Manual Introduction**

In today's digital age, the availability of Impex Tsa 9900 Manual books and manuals for download has revolutionized the way we access information. Gone are the days of physically flipping through pages and carrying heavy textbooks or manuals. With just a few clicks, we can now access a wealth of knowledge from the comfort of our own homes or on the go. This article will explore the advantages of Impex Tsa 9900 Manual books and manuals for download, along with some popular platforms that offer these resources. One of the significant advantages of Impex Tsa 9900 Manual books and manuals for download is the cost-saving aspect. Traditional books and manuals can be costly, especially if you need to purchase several of them for educational or professional purposes. By accessing Impex Tsa 9900 Manual versions, you eliminate the need to spend money on physical copies. This not only saves you money but also reduces the environmental impact associated with book production and transportation. Furthermore, Impex Tsa 9900 Manual books and manuals for download are incredibly convenient. With just a computer or smartphone and an internet connection, you can access a vast library of resources on any subject imaginable. Whether you're a student looking for textbooks, a professional seeking industry-specific manuals, or someone interested in self-improvement, these digital resources provide an efficient and accessible means of acquiring knowledge. Moreover, PDF books and manuals offer a range of benefits compared to other digital formats. PDF files are designed to retain their formatting regardless of the device used to open them. This ensures that the content appears exactly as intended by the author, with no loss of formatting or missing graphics. Additionally, PDF files can be easily annotated, bookmarked, and searched for specific terms, making them highly practical for studying or referencing. When it comes to accessing Impex Tsa 9900 Manual books and manuals, several platforms offer an extensive collection of resources. One such platform is Project Gutenberg, a nonprofit organization that provides over 60,000 free eBooks. These books are primarily in the public domain, meaning they can be freely distributed and downloaded. Project Gutenberg offers a wide range of classic literature, making it an excellent resource for literature enthusiasts. Another popular platform for Impex Tsa 9900 Manual books and manuals is Open Library. Open Library is an initiative of the Internet Archive, a non-profit organization dedicated to digitizing cultural artifacts and making them accessible to the public. Open Library hosts millions of books, including both public domain works and contemporary titles. It also allows users to borrow digital copies of certain books for a limited period, similar to a library lending system. Additionally, many universities and educational institutions have their own digital libraries that provide free access to PDF books and manuals. These libraries often offer academic texts, research papers, and technical manuals, making them invaluable resources for students and researchers. Some notable examples include MIT OpenCourseWare, which offers free access to course materials from the Massachusetts Institute of Technology, and the

Digital Public Library of America, which provides a vast collection of digitized books and historical documents. In conclusion, Impex Tsa 9900 Manual books and manuals for download have transformed the way we access information. They provide a cost-effective and convenient means of acquiring knowledge, offering the ability to access a vast library of resources at our fingertips. With platforms like Project Gutenberg, Open Library, and various digital libraries offered by educational institutions, we have access to an ever-expanding collection of books and manuals. Whether for educational, professional, or personal purposes, these digital resources serve as valuable tools for continuous learning and self-improvement. So why not take advantage of the vast world of Impex Tsa 9900 Manual books and manuals for download and embark on your journey of knowledge?

### **FAQs About Impex Tsa 9900 Manual Books**

**What is a Impex Tsa 9900 Manual PDF?** A PDF (Portable Document Format) is a file format developed by Adobe that preserves the layout and formatting of a document, regardless of the software, hardware, or operating system used to view or print it. **How do I create a Impex Tsa 9900 Manual PDF?** There are several ways to create a PDF: Use software like Adobe Acrobat, Microsoft Word, or Google Docs, which often have built-in PDF creation tools. Print to PDF: Many applications and operating systems have a "Print to PDF" option that allows you to save a document as a PDF file instead of printing it on paper. Online converters: There are various online tools that can convert different file types to PDF. **How do I edit a Impex Tsa 9900 Manual PDF?** Editing a PDF can be done with software like Adobe Acrobat, which allows direct editing of text, images, and other elements within the PDF. Some free tools, like PDFescape or Smallpdf, also offer basic editing capabilities. **How do I convert a Impex Tsa 9900 Manual PDF to another file format?** There are multiple ways to convert a PDF to another format: Use online converters like Smallpdf, Zamzar, or Adobe Acrobats export feature to convert PDFs to formats like Word, Excel, JPEG, etc. Software like Adobe Acrobat, Microsoft Word, or other PDF editors may have options to export or save PDFs in different formats. **How do I password-protect a Impex Tsa 9900 Manual PDF?** Most PDF editing software allows you to add password protection. In Adobe Acrobat, for instance, you can go to "File" -> "Properties" -> "Security" to set a password to restrict access or editing capabilities. Are there any free alternatives to Adobe Acrobat for working with PDFs? Yes, there are many free alternatives for working with PDFs, such as: LibreOffice: Offers PDF editing features. PDFsam: Allows splitting, merging, and editing PDFs. Foxit Reader: Provides basic PDF viewing and editing capabilities. How do I compress a PDF file? You can use online tools like Smallpdf, ILovePDF, or desktop software like Adobe Acrobat to compress PDF files without significant quality loss. Compression reduces the file size, making it easier to share and download. Can I fill out forms in a PDF file? Yes, most PDF viewers/editors like Adobe Acrobat, Preview (on Mac),

or various online tools allow you to fill out forms in PDF files by selecting text fields and entering information. Are there any restrictions when working with PDFs? Some PDFs might have restrictions set by their creator, such as password protection, editing restrictions, or print restrictions. Breaking these restrictions might require specific software or tools, which may or may not be legal depending on the circumstances and local laws.

### **Find Impex Tsa 9900 Manual :**

~~les petites filles modegraves la comtesse de seacutegur t 0~~

**les revenants la magie au egrave siegravecle no illustreacute**

les insomnies pour moi cest vraiment fini

**les soeligurs lockwood mauvaise reacuteputation**

*les images en sophrologie du corps propre au fantasme*

**les rites macedilonniques eacutegyptiens laquo que saisje raquo ndeg**

les laquo drocircles raquo daventures de sophiecom

les places et les chances repenser la justice sociale

*les rabelados du capvert lhistoire dune reacutevolte*

*les meacutemoires de sherlock holmes*

**les nouvelles approches sociologiques des organisations**

**les leccedilons de lhistoire nature chasse et socieacuteteacute volume**

~~les pyramides de napoleacuteon~~

les oreilles de buster

**les paradoxes du travail social politiques et dispositifs**

### **Impex Tsa 9900 Manual :**

**watch extraction netflix official site** - Dec 08 2022

web 2020 maturity rating a 1h 58m action a hardened gun for hire s latest mission becomes a soul searching race to survive when he s sent into bangladesh to rescue a drug lord s kidnapped son starring chris hemsworth rudhraksh jaiswal randeep hooda

*extraction İzle türkçe altyazılı dublaj film yabancidizi* - Jun 14 2023

web jun 16 2023 *extraction türkçe dublaj ve extraction türkçe altyazılı seçenekleriyle 1080p kalitesinde hd izle film Özeti*



netflixin extraction filmi silah satıcıları ve kaçakçılara ait bir dünyada uyuşturucu lordları arasında geçen savaşta piyon olan genç bir çocuğun hikayesini konu ediyor kaçırılıp dünyanın en ücra şehrine

**extraction netflix resmi sitesi** - Jul 15 2023

web extraction 2020 yetişkinlik düzeyi 18 1 sa 58 dk action bir uyuşturucu baronunun kaçırılan oğlunu kurtarmak için bangladeş e gönderilen sert kiralık katil kendisini iç hesaplaşmalarla dolu bir yaşam mücadelesinin içinde bulur başroldekiler chris hemsworth rudhraksh jaiswal randeep hooda binlerce seçenek

**extraction film 2020 beyazperde com** - Feb 10 2023

web apr 24 2020 Özet extraction silah satıcıları ve kaçakçılara ait bir dünyada uyuşturucu lordları arasında geçen savaşta piyon olan genç bir çocuğun hikayesini konu ediyor kaçırılıp dünyanın en ücra şehrine gönderilen hintli çocuğun işadamı olan babası oğlunu kurtarması için bir adam kiralar

extraction film 2020 wikipedi - Mar 11 2023

web extraction 2020 yapımı amerikan aksiyon gerilim filmidir yönetmenliğini sam hargrave yapmış senaryo joe russo tarafından hazırlanmıştır bir uyuşturucu kaçakçısının kaçırılan oğlunu kurtarmak için bangladeş e gönderilen bir paralı askerin hikâyesini anlatıyor

**extraction 2020 imdb** - Apr 12 2023

web apr 24 2020 extraction directed by sam hargrave with chris hemsworth bryon lerum ryder lerum rudhraksh jaiswal tyler rake a fearless black market mercenary embarks on the most deadly extraction of his career when he s enlisted to rescue the kidnapped son of an imprisoned international crime lord

*extraction 2020 film wikipedia* - Nov 07 2022

web extraction is a 2020 american action thriller film directed by sam hargrave in his feature directorial debut and written by joe russo based on the graphic novel ciudad by ande parks joe russo anthony russo fernando león gonzález and eric skillman

extraction izle hdfilmcehennemi film izle hd film izle - Aug 16 2023

web extraction filminin bilgileri korkusuz ve kanunsuz bir paralı asker olan tyler rake chris hemsworth uluslararası bir suç baronunun kaçırılan oğlunu kurtarmakla

**extraction 2 netflix resmi sitesi** - May 13 2023

web görevi acımasız bir gangsterin esir alınan ailesini kurtarmaktır başroldekiler chris hemsworth golshifteh farahani tornike gogrichiani binlerce seçenek sınırsız eğlence Şimdi katil küresel ölçekli bu aksiyon gerilimde chris hemsworth daha büyük daha riskli ve daha ölümcül bir görev için dönüyor

extraction 2020 filmi sinemalar com - Jan 09 2023

web extraction film konusu silah kaçakçıları ve uyuşturucu baronlarının arasında çıkan yeraltı savaşında genç bir çocuk bu

savaşın piyonu haline gelmiştir dünya nın girilmesi en zor şehirlerinden birinde esir tutulan suç baronunun oğlu

**was ist was band 128 hamster biber und andere nagetiere by** - Sep 21 2023

web was ist was band 128 hamster biber und andere nagetiere by sabine steghaus kovac johann brandstetter der biber ist wieder zurück die hamster besiedeln das agrarland zwar in geringerer dichte ein weiteres thema ist die initiative das grüne band als welterbe der unesco zu nominieren

*was ist was band 128 hamster biber und andere nag peter* - Apr 16 2023

web was ist was band 128 hamster biber und andere nag was ist was band 128 hamster biber und andere nag 2 downloaded from donate pfi org on 2021 12 16 by guest beweglichen vorderpfötchen mit denen sie so geschickt zupacken können vor allem wenn s um essbares geht die putzmunteren kerlchen bringen leben ins haus

**was ist was band 128 hamster biber und andere nag pdf** - Jun 06 2022

web 4 was ist was band 128 hamster biber und andere nag 2022 06 16 band 8 secunda pars quaestiones 129 189 tessloff verlag die summa theologica übersetzt zusammenfassung der theologie oft einfach als summa bezeichnet ist das bekannteste werk von thomas von aquin 1225 1274 einem scholastischen theologen und

*was ist was band 128 hamster biber und andere nagetiere by* - Nov 30 2021

web hamster biber und andere nagetiere was ist was hamster biber und andere nagetiere band was ist was band 128 hamster biber und ab 4 02 balaban neumann der hund von sheila och bei lovelybooks tessloff online shop was

**was ist was band 128 hamster biber und andere nag pdf** - Dec 12 2022

web apr 16 2023 was ist was band 128 hamster biber und andere nag 2 9 downloaded from uniport edu ng on april 16 2023 by guest calcium in internal medicine hirotoshi morii 2012 12 06 calcium plays an enormous and varied role in living systems now widely appreciated by clinicians calcium in internal medicine demonstrates the

108 band wikipedia - Feb 02 2022

web after splitting from the zack de la rocha fronted band inside out guitarist and hare krishna devotee vraja kishor das aka vic dicara formed 108 in 1991 while recording an ep rasaraja dasa aka rob fish joined on vocals following in the footsteps of the cro mags and antidote they made sure to place their krishna consciousness at the

*was ist was band 128 hamster biber und andere nagetiere* - Oct 22 2023

web was ist was band 128 hamster biber und andere nagetiere steghaus kovac dr sabine brandstetter johann isbn 9783788615161 kostenloser versand für alle bücher mit versand und verkauf duch amazon

**was ist was band 128 hamster biber und andere nag** - Jul 07 2022

web jul 11 2023 was ist was band 128 hamster biber und andere nag 2 10 downloaded from uniport edu ng on july 11 2023 by guest many possible astrocyte functions this book that we propose aims at filling this gap providing the first systematic

computational approach to the complex wide subject of neuron glia interactions the organization of  
was ist was band 128 hamster biber und andere nag pdf - Jan 01 2022

web was ist was band 128 hamster biber und andere nag 2 11 downloaded from uniport edu ng on july 16 2023 by guest und viele andere fragen beantwortet die wissenschaftsjournalistin dr sabine steghaus kovacs in diesem was ist was band critical stylistics lesley jeffries 2017 09 16 this original and engaging

ebook was ist was band 128 hamster biber und andere nag - Feb 14 2023

web meer wo eisige kälte hoher druck und pechschwarze finsternis herrschen doch auch hier blinkt und funkelt es mitunter tiefseevampir teufelsangler und riesenkalmar erzeugen ihr eigenes licht um beutetiere anzulocken fressfeinde zu verwirren und partner zu finden vulkanismus hat auf dem meeresboden

buster band wikipedia - May 05 2022

web buster band buster hieß eine britische pop band der 1970er jahre ihr einziger hit in den britischen charts war die single sunday die 1976 eine woche auf platz 49 notiert wurde mehr erfolg als in europa hatte die band in japan wo sie vier singles in den top 20 platzieren konnte

**download free was ist was band 128 hamster biber und andere nag** - Sep 09 2022

web was ist was band 128 hamster biber und andere nag der schwabenspiegel oder schwäbisches land und lehen rechtbuch nach einer handschrift vom jahr 1287 herausgegeben von f l a freiherrn von lassberg etc jan 08 2021 beiträge zur morphologie der biber arten nov 05 2020

**was ist was band 128 hamster biber und andere nag pdf** - Aug 08 2022

web was ist was band 128 hamster biber und andere nag pdf upload jason y robertson 2 12 downloaded from live hubitat com on october 22 2023 by jason y robertson the best time with success rates of 85 to 90 still a dream method no because these patterns exist for 70 years and are based on fibonacci ratios where they make conjunctions

*108 band wikipedia* - Mar 03 2022

web geschichte nach der trennung von inside out gründete deren gitarrist und hare krishna anhängler vraja kishor vic dicara 1991 die band 108 während der aufnahmen zu einer ep stieß rasaraja rob fish als sänger dazu Ähnlich wie die cro mags und antidote stellte die band ihren krishna glauben in den vordergrund ihre ersten platten

**was ist was band 128 hamster biber und andere nagtiere by** - Jan 13 2023

web was ist was band 128 hamster biber und andere nagtiere was ist was band 129 lkw bagger und traktoren was ist was band 130 maya inka und azteken was ist was band 131 raubtiere und andere jäger was ist was band 132 mode was ist steghaus kovac s tessloff verlag 2010 48 p warum werden die schneidezähne von

*was ist was band 128 hamster biber und andere nag pdf* - Mar 15 2023

web was ist was band 128 hamster biber und andere nag multicultural perspectives in music education may 04 2020 a pragmatic approach to teaching world music traditions in upper elementary through high school classes this updated and expanded edition of mencs landmark 1989 publication goes much further

**was ist was band 128 hamster biber und andere nagetiery by** - Jul 19 2023

web november 17th 2019 band 128 20 was ist was band 128 hamster biber und andere nagetiery dr sabine steghaus kovac zuletzt angesehen verlauf löschen eod a tale of dark legacy clear the great old ones vinyl kostenlos bestellen per telefon 0800 00 22 55

was ist was band 128 hamster biber und andere nag - Oct 10 2022

web period for their favorite books like this was ist was band 128 hamster biber und andere nag but stop occurring in harmful downloads rather than enjoying a fine book considering a cup of coffee in the afternoon

*songster wikipedia* - Apr 04 2022

web ein songster ist die bezeichnung für eine spezielle form des wandermusikers im süden der usa am ende des 19 anfang des 20 jahrhunderts das repertoire der songster setzte sich aus balladen spirituals und beliebten melodien zusammen eine typische songster karriere hatte in den 1920er jahren im raum dallas der sänger und gitarrist

**was ist was band 128 hamster biber und andere nag** - Jun 18 2023

web was ist was band 128 hamster biber und andere nag was ist was band 128 hamster biber und andere nag 2 downloaded from old restorativejustice org on 2020 11 22 by guest examples of all its attested grammatical realizations the book is an indispensable tool for typologists historical linguists and students of the syntax and morphosyntax of

pdf was ist was band 128 hamster biber und andere nag - May 17 2023

web hamster biber und andere nagetiery jun 24 2023 warum werden die schneidezähne von bibern nie stumpf obwohl sie mit ihnen dicke bäume fällen wieso verhungern murmeltiere im winter nicht auch wenn sie bis zu neun monate nichts fressen und warum verehren die inder ratten als heilige tiere diese und viele andere fragen beantwortet die

**ebook was ist was band 128 hamster biber und andere nag** - Nov 11 2022

web was ist was band 128 hamster biber und andere nag index of patents issued from the united states patent office may 31 2021 nuclear science abstracts may 11 2022 nsa is a comprehensive collection of international nuclear science and technology literature for the period 1948 through 1976 pre dating the prestigious inis database which began

**was ist was band 128 hamster biber und andere nag pdf** - Aug 20 2023

web was ist was band 128 hamster biber und andere nag pdf introduction was ist was band 128 hamster biber und andere nag pdf pdf the common hamster cricetus cricetus eva millesi 2008 the common hamster is a fascinating species that differs from other hibernating small mammals in several aspects

**aventures et mésaventures d une aide soignante à domicile** - Apr 03 2023

web köp adventures et mÃ saventures d une aide soignante Ã domicile av florent catanzaro ladda enkelt ned e boken och börja läsa direkt gå till mobilversionen av

**aventures et mésaventures d une aide soignante à domici** - Dec 19 2021

web apr 25 2018 des anecdotes toutes plus 233 tonnantes les unes que les autres il ne faut pas se leurrer le quotidien d 8217 une aide soignante c 8217 est avant tout

**aventures mésaventures d une aide soignante poche furet** - May 04 2023

web apr 25 2018 il ne faut pas se leurrer le quotidien d une aide soignante c est avant tout de laver des postérieurs des gros des petits des flasques et surtout des douteux

**aventures et ma c saventures d une aide soignante pdf** - Oct 29 2022

web enter the realm of adventures et ma c saventures d une aide soignante a mesmerizing literary masterpiece penned with a distinguished author guiding readers on

**aventures et ma c saventures d une aide soignante** - Sep 27 2022

web adventures et ma c saventures d une aide soignante when people should go to the books stores search foundation by shop shelf by shelf it is in reality problematic this is

*aventures et mésaventures d une aide soignante à domicile* - Nov 17 2021*aventures mésaventures d une aide soignante decitre* - Aug 07 2023

web noté 5 retrouvez adventures mésaventures d une aide soignante à domicile et des millions de livres en stock sur amazon fr achetez neuf ou d occasion

**aventures et ma c saventures d une aide soignante full pdf** - Jul 26 2022

web sep 25 2023 adventures et mésaventures d une aide soignante à domicile anecdotes de vie histoire vécues by florent catanzaro bd books metrotime be lundi 21 novembre

**aventures et ma c saventures d une aide soignante** - Feb 18 2022

web adventures et ma c saventures d une aide soignante 3 3 reference catalogue of current literature liverpool university press analyzing four best selling novels by both

*aventures et ma c saventures d une aide soignante 2022* - Nov 29 2022

web aug 22 2023 soignante getting the books adventures et ma c saventures d une aide soignante now is not type of inspiring means you could not single handedly going

**aventures et ma c saventures d une aide soignante 2022** - Apr 22 2022

web jun 2 2023 revelation aventures et ma c saventures d une aide soignante that you are looking for it will agreed  
squander the time however below subsequent to you visit this

[aventures et ma c saventures d une aide soignante pdf](#) - May 24 2022

web rêvées qui électrisent encore le lecteur passionné par les poèmes de cendrars don passos décide en 1931 d en faire une anthologie incluant le transsibérien

**aventures et ma c saventures d une aide soignante pdf** - Jan 20 2022

web des anecdotes toutes plus étonnantes les unes que les autres il ne faut pas se leurrer le quo aventures et mésaventures d une aide soignante à domicile anecdotes de vie

**aventures mésaventures d une aide soignante à domicile** - Jul 06 2023

web aug 3 2022 nathalie est aide soignante depuis plus de 30 ans dès l obtention de son diplôme en 1984 elle a tout de suite exercé son métier d aide soignante à domicile

**aventures et mésaventures d une aide soignante à domicile** - Jun 24 2022

web 4 aventures et ma c saventures d une aide soignante 2023 06 17 intérêt pour de multiples causes à défendre dont l affaire sacco et vanzetti et l histoire de jean

**aventures et ma c saventures d une aide soignante marie** - Feb 01 2023

web aventures et ma c saventures d une aide soignante adventures in theoretical physics apr 06 2023 adventures of three fugitives in siberia by v tissot and c amero tr by

**aventures et ma c saventures d une aide soignante zack** - Aug 27 2022

web in some cases you likewise attain not discover the proclamation aventures et ma c saventures d une aide soignante that you are looking for it will unquestionably

*aventures mésaventures d une aide soignante à domicile fnac* - Sep 08 2023

web mar 24 2016 mes aventures et mésaventures aventures mésaventures d une aide soignante à domicile florent catanzaro la boîte a pandore des milliers de livres

**aventures et ma c saventures d une aide soignante pdf** - Dec 31 2022

web as this aventures et ma c saventures d une aide soignante it ends going on brute one of the favored ebook aventures et ma c saventures d une aide soignante

**aventures et ma c saventures d une aide soignante** - Oct 09 2023

web aventures et ma c saventures d une aide soignante the organic method of studying languages i french journal of education and school world engines of instruction

**aventures et mÃ saventures d une aide soignante Ã bokus** - Mar 02 2023

web adventures et ma c saventures d une aide soignante recognizing the way ways to get this books adventures et ma c saventures d une aide soignante is additionally

[adventures mésaventures d une aide soignante rakuten](#) - Jun 05 2023

web mar 24 2016 adventures mésaventures d une aide soignante de plongez vous dans le livre florent catanzaro au format poche ajoutez le à votre liste de souhaits ou abonnez

*adventures et ma c saventures d une aide soignante* - Mar 22 2022

web adventures de ma petite celeste c est l histoire d une petite oursonne nommée céleste qui voyage pour la première fois au pérou pour rendre visite à sa grand mère