

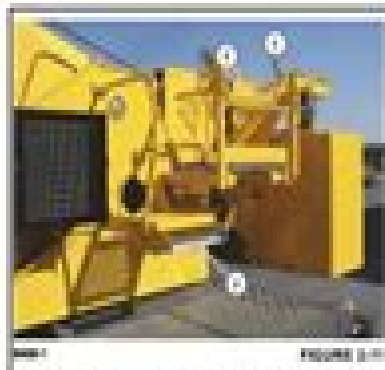
## MODEL SPECIFIC INFORMATION

## Stability

The RT800E is a crawler-based vehicle with a maximum height of 12 feet with a boom. Without a boom, a radius of 10 feet is safe for 90-degree elevation. A radius of less than 10 feet must be avoided whenever because of load and stability considerations.

## Access Platform Hand Rail

Ensure that the hand access platform hand rail (1) (Figure 2-11) and step (2) (Foot counterweight units only) are in the travel configuration. Remove pins from hand rail and rotate it down into the travel position, removed pins. Pull the step locking pin out, slide the step in to the travel position and release the lock pin.



Use the hand access platform (1) (Figure 2-11) when working in the hand area (Foot counterweight units only).



FIGURE 2-10

2

## OVERLOAD INSPECTION

This information supplements the Rated Capacity Letter (RCL) manual supplied with each Crane crane.

When the RCL system has acknowledged an overload on your crane, you must carry out specified inspections on the crane.

These inspections apply only to overloads up to 50%. For overloads of 50% or higher, crane operation must be stopped immediately and Crane Care must be contacted for corrective action.

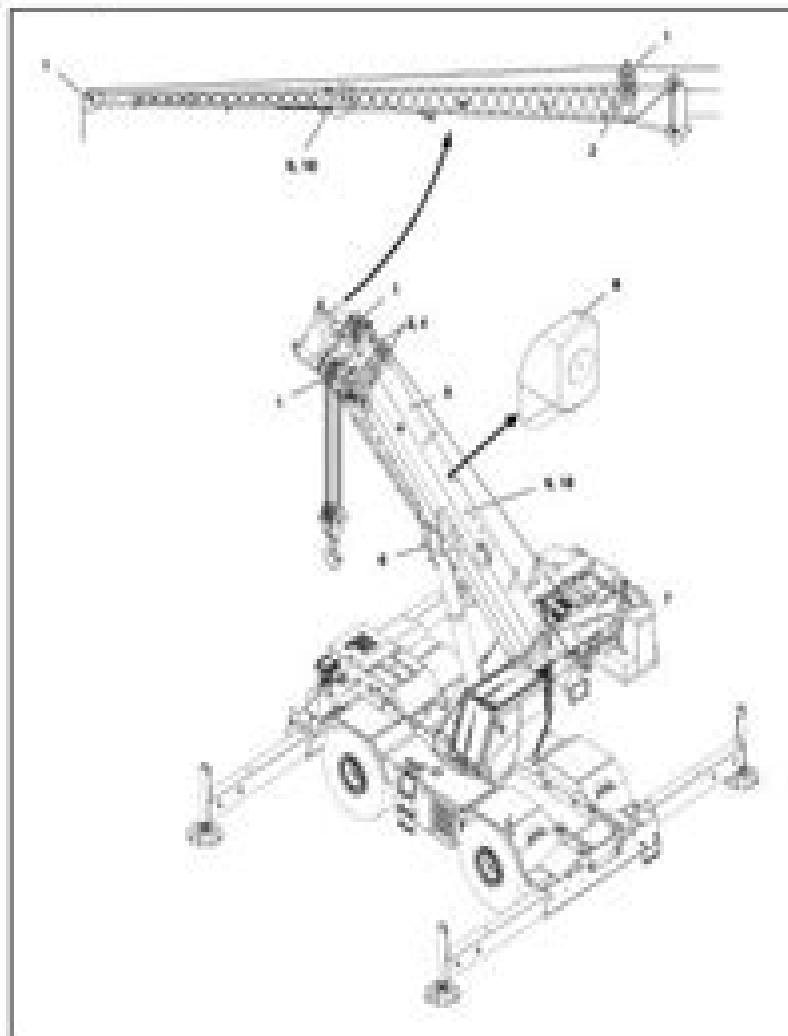
The following illustrations may not be an exact representation of your crane and are to be used for reference only.



To avoid an accident caused by overload damage to your crane:

- Perform the inspections outlined in this publication for overloads up to 50%.
- Stop operating the crane and contact Harbortec Crane Care immediately for overloads of 50% and higher.

## Boom Inspection



# Grove 65 Ton Rt Crane Operator Manual

**Mike Jess**



**Grove 65 Ton Rt Crane Operator Manual:**

*Monthly Catalog of United States Government Publications* ,1991      **Engineering News-record** ,1979-10      **Official Manual, State of Missouri** Missouri. Office of the Secretary of State,1977      *The American Contractor* ,1913      **Monthly Catalogue, United States Public Documents** ,1987      *Public Works* ,1980      **The Engineer** ,1921      **Popular Science** ,1973-12 Popular Science gives our readers the information and tools to improve their technology and their world The core belief that Popular Science and our readers share The future is going to be better and science and technology are the driving forces that will help make it better      **Boating** ,1968-01      **The Machinist** ,1980      *International California Mining Journal* ,1995-07      **The Southern Lumberman** ,1975      *The United States Army and Navy Journal and Gazette of the Regular and Volunteer Forces* ,1894      *Operator's Manual for Crane, Truck Mounted, Hydraulic, 25 Ton (CCE), Grove Model TM S-300-5, Contract No. DSA 700-77-C-8511, NSN 3810-01-054-9779* ,1990      **Model Railroad Craftsman** ,1982      **Farmers and Consumers Market Bulletin** ,2009      MacRae's Industrial Directory ,1997      **Railway Age** ,1963      **Metalworking News** ,1987-05      **Sport Aviation** ,1970

Thank you very much for reading **Grove 65 Ton Rt Crane Operator Manual**. Maybe you have knowledge that, people have look numerous times for their favorite readings like this Grove 65 Ton Rt Crane Operator Manual, but end up in infectious downloads.

Rather than reading a good book with a cup of coffee in the afternoon, instead they are facing with some infectious bugs inside their desktop computer.

Grove 65 Ton Rt Crane Operator Manual is available in our digital library an online access to it is set as public so you can get it instantly.

Our book servers spans in multiple countries, allowing you to get the most less latency time to download any of our books like this one.

Kindly say, the Grove 65 Ton Rt Crane Operator Manual is universally compatible with any devices to read

[https://staging.conocer.cide.edu/data/uploaded-files/Documents/Landing\\_Light.pdf](https://staging.conocer.cide.edu/data/uploaded-files/Documents/Landing_Light.pdf)

## **Table of Contents Grove 65 Ton Rt Crane Operator Manual**

1. Understanding the eBook Grove 65 Ton Rt Crane Operator Manual
  - The Rise of Digital Reading Grove 65 Ton Rt Crane Operator Manual
  - Advantages of eBooks Over Traditional Books
2. Identifying Grove 65 Ton Rt Crane Operator Manual
  - Exploring Different Genres
  - Considering Fiction vs. Non-Fiction
  - Determining Your Reading Goals
3. Choosing the Right eBook Platform
  - Popular eBook Platforms
  - Features to Look for in an Grove 65 Ton Rt Crane Operator Manual
  - User-Friendly Interface
4. Exploring eBook Recommendations from Grove 65 Ton Rt Crane Operator Manual

- Personalized Recommendations
- Grove 65 Ton Rt Crane Operator Manual User Reviews and Ratings
- Grove 65 Ton Rt Crane Operator Manual and Bestseller Lists
- 5. Accessing Grove 65 Ton Rt Crane Operator Manual Free and Paid eBooks
  - Grove 65 Ton Rt Crane Operator Manual Public Domain eBooks
  - Grove 65 Ton Rt Crane Operator Manual eBook Subscription Services
  - Grove 65 Ton Rt Crane Operator Manual Budget-Friendly Options
- 6. Navigating Grove 65 Ton Rt Crane Operator Manual eBook Formats
  - ePub, PDF, MOBI, and More
  - Grove 65 Ton Rt Crane Operator Manual Compatibility with Devices
  - Grove 65 Ton Rt Crane Operator Manual Enhanced eBook Features
- 7. Enhancing Your Reading Experience
  - Adjustable Fonts and Text Sizes of Grove 65 Ton Rt Crane Operator Manual
  - Highlighting and Note-Taking Grove 65 Ton Rt Crane Operator Manual
  - Interactive Elements Grove 65 Ton Rt Crane Operator Manual
- 8. Staying Engaged with Grove 65 Ton Rt Crane Operator Manual
  - Joining Online Reading Communities
  - Participating in Virtual Book Clubs
  - Following Authors and Publishers Grove 65 Ton Rt Crane Operator Manual
- 9. Balancing eBooks and Physical Books Grove 65 Ton Rt Crane Operator Manual
  - Benefits of a Digital Library
  - Creating a Diverse Reading Collection Grove 65 Ton Rt Crane Operator Manual
- 10. Overcoming Reading Challenges
  - Dealing with Digital Eye Strain
  - Minimizing Distractions
  - Managing Screen Time
- 11. Cultivating a Reading Routine Grove 65 Ton Rt Crane Operator Manual
  - Setting Reading Goals Grove 65 Ton Rt Crane Operator Manual
  - Carving Out Dedicated Reading Time
- 12. Sourcing Reliable Information of Grove 65 Ton Rt Crane Operator Manual

- 
- Fact-Checking eBook Content of Grove 65 Ton Rt Crane Operator Manual
  - Distinguishing Credible Sources
13. Promoting Lifelong Learning
- Utilizing eBooks for Skill Development
  - Exploring Educational eBooks
14. Embracing eBook Trends
- Integration of Multimedia Elements
  - Interactive and Gamified eBooks

### **Grove 65 Ton Rt Crane Operator Manual Introduction**

In the digital age, access to information has become easier than ever before. The ability to download Grove 65 Ton Rt Crane Operator Manual has revolutionized the way we consume written content. Whether you are a student looking for course material, an avid reader searching for your next favorite book, or a professional seeking research papers, the option to download Grove 65 Ton Rt Crane Operator Manual has opened up a world of possibilities. Downloading Grove 65 Ton Rt Crane Operator Manual provides numerous advantages over physical copies of books and documents. Firstly, it is incredibly convenient. Gone are the days of carrying around heavy textbooks or bulky folders filled with papers. With the click of a button, you can gain immediate access to valuable resources on any device. This convenience allows for efficient studying, researching, and reading on the go. Moreover, the cost-effective nature of downloading Grove 65 Ton Rt Crane Operator Manual has democratized knowledge. Traditional books and academic journals can be expensive, making it difficult for individuals with limited financial resources to access information. By offering free PDF downloads, publishers and authors are enabling a wider audience to benefit from their work. This inclusivity promotes equal opportunities for learning and personal growth. There are numerous websites and platforms where individuals can download Grove 65 Ton Rt Crane Operator Manual. These websites range from academic databases offering research papers and journals to online libraries with an expansive collection of books from various genres. Many authors and publishers also upload their work to specific websites, granting readers access to their content without any charge. These platforms not only provide access to existing literature but also serve as an excellent platform for undiscovered authors to share their work with the world. However, it is essential to be cautious while downloading Grove 65 Ton Rt Crane Operator Manual. Some websites may offer pirated or illegally obtained copies of copyrighted material. Engaging in such activities not only violates copyright laws but also undermines the efforts of authors, publishers, and researchers. To ensure ethical downloading, it is advisable to utilize reputable websites that prioritize the legal distribution of content. When downloading Grove 65 Ton Rt Crane Operator

Manual, users should also consider the potential security risks associated with online platforms. Malicious actors may exploit vulnerabilities in unprotected websites to distribute malware or steal personal information. To protect themselves, individuals should ensure their devices have reliable antivirus software installed and validate the legitimacy of the websites they are downloading from. In conclusion, the ability to download Grove 65 Ton Rt Crane Operator Manual has transformed the way we access information. With the convenience, cost-effectiveness, and accessibility it offers, free PDF downloads have become a popular choice for students, researchers, and book lovers worldwide. However, it is crucial to engage in ethical downloading practices and prioritize personal security when utilizing online platforms. By doing so, individuals can make the most of the vast array of free PDF resources available and embark on a journey of continuous learning and intellectual growth.

## **FAQs About Grove 65 Ton Rt Crane Operator Manual Books**

**What is a Grove 65 Ton Rt Crane Operator Manual PDF?** A PDF (Portable Document Format) is a file format developed by Adobe that preserves the layout and formatting of a document, regardless of the software, hardware, or operating system used to view or print it. **How do I create a Grove 65 Ton Rt Crane Operator Manual PDF?** There are several ways to create a PDF: Use software like Adobe Acrobat, Microsoft Word, or Google Docs, which often have built-in PDF creation tools. Print to PDF: Many applications and operating systems have a "Print to PDF" option that allows you to save a document as a PDF file instead of printing it on paper. Online converters: There are various online tools that can convert different file types to PDF. **How do I edit a Grove 65 Ton Rt Crane Operator Manual PDF?** Editing a PDF can be done with software like Adobe Acrobat, which allows direct editing of text, images, and other elements within the PDF. Some free tools, like PDFescape or Smallpdf, also offer basic editing capabilities. **How do I convert a Grove 65 Ton Rt Crane Operator Manual PDF to another file format?** There are multiple ways to convert a PDF to another format: Use online converters like Smallpdf, Zamzar, or Adobe Acrobats export feature to convert PDFs to formats like Word, Excel, JPEG, etc. Software like Adobe Acrobat, Microsoft Word, or other PDF editors may have options to export or save PDFs in different formats. **How do I password-protect a Grove 65 Ton Rt Crane Operator Manual PDF?** Most PDF editing software allows you to add password protection. In Adobe Acrobat, for instance, you can go to "File" -> "Properties" -> "Security" to set a password to restrict access or editing capabilities. Are there any free alternatives to Adobe Acrobat for working with PDFs? Yes, there are many free alternatives for working with PDFs, such as: LibreOffice: Offers PDF editing features. PDFsam: Allows splitting, merging, and editing PDFs. Foxit Reader: Provides basic PDF viewing and editing capabilities. How do I compress a PDF file? You can use online tools like Smallpdf, ILovePDF, or desktop software like Adobe Acrobat to compress PDF files without

significant quality loss. Compression reduces the file size, making it easier to share and download. Can I fill out forms in a PDF file? Yes, most PDF viewers/editors like Adobe Acrobat, Preview (on Mac), or various online tools allow you to fill out forms in PDF files by selecting text fields and entering information. Are there any restrictions when working with PDFs? Some PDFs might have restrictions set by their creator, such as password protection, editing restrictions, or print restrictions. Breaking these restrictions might require specific software or tools, which may or may not be legal depending on the circumstances and local laws.

**Find Grove 65 Ton Rt Crane Operator Manual :**

[landing light](#)

[language structure and use workbook](#)

[language and people](#)

[landscaping made easy by design](#)

[language variety and the art of the everyday](#)

**[language thought and logic rethinking theory](#)**

[language arts activities for children](#)

[language and logic a speculative and conditiontheoretic study pragmatics and beyond companion series vol 2](#)

**[language drills and tests first grade](#)**

[language in a darwinian perspective bochum publications in evolutionary cultural semiotics. new series v. 3](#)

[language and nationalism in europe](#)

**[landscape architects portable handbook](#)**

**[larabe langue vivante methode denseignement a lusage des francophones volume 1](#)**

[lantica biblioteca della certosa di pavia subidi eruditi](#)

[language30-japanese](#)

**Grove 65 Ton Rt Crane Operator Manual :**

**[harvard business essentials finance for managers hbr store](#)** - Jul 01 2022

web jul 1 2003 the reliable source for busy managers the harvard business essentials series is designed to provide comprehensive advice personal coaching background

[business fundamentals course core hbs online](#) - May 11 2023



web description core credential of readiness is a 150 hour certificate program on the fundamentals of business from harvard business school core is comprised of three

**business essentials e book harvard business school** - Dec 06 2022

web jul 28 2005 harvard business essentials strategy create and implement the best strategy for your business strategic execution drives business success this book

online management course hbs online harvard - Jun 12 2023

web management essentials is an 8 week 35 hour online certificate program from harvard business school management essentials takes a distinctive hands on approach to

harvard business essentials - Aug 14 2023

web harvard business essentials support tools use these free online tools from harvard managementor to enhance the learning experience of your harvard business essentials book purchase

*hbr s 10 must reads the essentials hbr store* - Feb 25 2022

web aug 2 2017 print share boston hbx harvard business school s digital learning initiative is announcing the launch of entrepreneurship essentials people opportunity

entrepreneurship course online hbs online - Feb 08 2023

web sep 10 2004 the harvard business essentials series is designed to provide comprehensive advice personal coaching background information and guidance on the

**online leadership and management courses hbs online** - Sep 22 2021

harvard business essentials managing creativity and innovation - Oct 24 2021

web help your employees master essential business concepts improve effectiveness and expand leadership capabilities academic solutions integrate hbs online courses into

*business communication harvard business essentials* - May 31 2022

web find new ideas and classic advice on strategy innovation and leadership for global leaders from the world s best business and management experts

*hbr s essential articles harvard business review* - Apr 29 2022

web find new ideas and classic advice on strategy innovation and leadership for global leaders from the world s best business and management experts harvard business review

**stop overworking after vacation harvard business review** - Nov 24 2021

web aug 1 2003 packed with practical information designed for business readers and managers at all levels this essential

volume offers insights on managing creativity in

[harvard business essentials marketer s toolkit the 10](#) - Dec 26 2021

web sep 7 2023 schedule a free day between your return from vacation and your return to work so you can mentally and physically prepare for the change in environment keep

*online business essential courses hbs online* - Jul 13 2023

web business essentials interpret data to inform business decisions explore the economic foundations of strategy and discover what s behind the numbers in financial statements

[business insights blog business essentials hbs online](#) - Oct 04 2022

web nov 23 2004 the harvard business essentials series provides comprehensive advice personal coaching background information and guidance on the most relevant topics in

*entrepreneur s toolkit tools and techniques to launch and* - Sep 03 2022

web online certificate courses led by award winning faculty to help you master essential business concepts doctoral programs eight full time programs leading to a phd or

**harvard business essentials strategy create and implement** - Nov 05 2022

web apr 20 2023 business essentials career development work life balance whether you aim to prepare for an mba program advance to a new role or make a career

*management essentials harvard university* - Mar 09 2023

web management essentials master the tools and tactics you need to excel in decision making implementation organizational learning and change management to move your

[harvard business review ideas and advice for leaders](#) - Mar 29 2022

web product description publication date november 08 2010 if you read nothing else read these 10 articles from hbr s most influential authors 1 meeting the challenge of

**hbx launches entrepreneurship essentials a new online** - Jan 27 2022

web feb 20 2006 product description effective marketing can mean the difference between runaway successes and costly flops covering everything from customer programs to ad

[harvard business essentials coaching and mentoring how to](#) - Jan 07 2023

web business essentials e book a guide to advancing your career with essential business skills no matter your profession enhancing your business knowledge can help you

*harvard business school* - Aug 02 2022

web publication date january 23 2003 harvard business essentials are comprehensive solution oriented paperbacks for

business readers of all levels of experience

*online business courses certifications hbs online* - Apr 10 2023

web harvard business school online courses teach vital business concepts in a highly engaging way to enable learners to transform their careers

**tom tom et nana tome 17 allez les monstres google play** - Jun 15 2023

web tom tom et nana tome 17 allez les monstres ebook written by Évelyne reberg read this book using google play books app on your pc android ios devices download for offline reading

**tom tom et nana tome 17 allez les monstres jacqueline** - Jun 03 2022

web mar 8 2017 tom tom et nana tome 17 allez les monstres de plongez vous dans le livre jacqueline cohen au format album ajoutez le à votre liste de souhaits ou abonnez vous à l auteur jacqueline cohen livraison gratuite à 0 01 dès 35 d achat

**tom tom et nana tome 17 allez les monstres** - Jan 30 2022

web bienvenue sur notre site alma librairie bastia est une librairie généraliste et papeterie sa vocation est de rendre la culture accessible à tous et de faire connaître les livres corses tom tom et nana tome 17 allez les monstres catalogue nostri libri dictionnaire et linguistique corse jeunesse 1er age lingua corsa et

tom tom et nana 17 allez les monstres bedetheque - Aug 05 2022

web mar 10 2019 série tom tom et nana titre allez les monstres tome 17 identifiant 361600 scénario cohen jacqueline

**allez monstres abebooks** - May 02 2022

web tom tom et nana tome 17 allez les monstres de bernadette després et d autres livres articles d art et de collection similaires disponibles sur abebooks fr

**tom tom et nana tome 17 allez les monstres amazon fr** - Jul 16 2023

web tom tom et nana tome 17 allez les monstres reberg evelyne després bernadette cohen jacqueline viansson ponte catherine amazon fr livres livres adolescents bandes dessinées neuf 11 50 tous les prix incluent la tva retours gratuits livraison à 0 01 mardi 2 mai détails ou livraison accélérée demain 28 avril

livres tom tom et nana fnac - Mar 12 2023

web tom tom et nana allez les monstres tome 17 tom tom et nana tome 17 bande dessinée jeunesse broché allez les monstres tome 17

**amazon com tom tom et nana tome 17 allez les monstres** - Feb 11 2023

web dec 11 1995 amazon com tom tom et nana tome 17 allez les monstres 9782227731189 després bernadette legrand catherine cohen jacqueline reberg evelyne books

**tom tom et nana tome 17 allez les monstres rakuten** - Feb 28 2022

---

web jul 7 2021 [tom tom et nana tome 17 allez les monstres pas cher](#) retrouvez tous les produits disponibles à l'achat sur notre site

**tom tom et nana tome 17 allez les monstres booknode** - Apr 13 2023

web 70 commentaires et 7 extraits découvrez le livre tom tom et nana tome 17 allez les monstres lu par 667 membres de la communauté booknode

[tom tom et nana tome 17 allez les monstres Évelyne](#) - Nov 08 2022

web en 9 histoires les inépuisables bêtises du frère et de la soeur duo infernal c est la fête de l horreur et tom tom refuse catégoriquement que nana y participe histoires initialement parues dans le journal j aime lire

[tom tom et nana tome 17 allez les monstres google books](#) - May 14 2023

web tom tom et nana tome 17 allez les monstres jacqueline cohen bernadette després Évelyne reberg catherine viansson ponte bayard jeunesse mar 1 2017 juvenile fiction 94 pages

**allez les monstres tom tom et nana 17 goodreads** - Oct 07 2022

web may 1 1994 [tom tom et nana 17 allez les monstres jacqueline cohen bernadette després](#) 3 90 40 ratings0 reviews en 9 histoires les inépuisables bêtises du frère et de la soeur duo infernal c est la fête de l horreur et tom tom refuse catégoriquement que nana y participe histoires initialement parues dans le journal j aime lire

[tom tom et nana tome 17 allez les monstres french](#) - Jan 10 2023

web mar 1 2017 [buy tom tom et nana tome 17 allez les monstres french edition read kindle store reviews amazon com](#)  
*tom tom et nana tome 17 allez les monstres babelio* - Aug 17 2023

web mar 25 2004 [tom tom et nana tome 17 allez les monstres en 9 histoires les inépuisables bêtises du frère et de la soeur duo infernal c est la fête de l horreur et tom tom refuse catégoriquement que nana y participe histoires initialement parues dans le journal j aime lire](#)

*allez les monstres tome 17 tom tom et nana tome 17 fnac* - Sep 18 2023

web mar 8 2017 [tom tom et nana allez les monstres tome 17 tom tom et nana tome 17 jacqueline cohen evelyne reberg bernadette després bd kids des milliers de livres avec la livraison chez vous en 1 jour ou en magasin avec 5 de réduction ou téléchargez la version ebook](#)

[tom tom et nana tome 17 allez les monstres amazon de](#) - Jul 04 2022

web tom tom et nana tome 17 allez les monstres després bernadette viansson ponté catherine cohen jacqueline reberg evelyne isbn 9782747076500 kostenloser versand für alle bücher mit versand und verkauf duch amazon

*tom tom et nana tome 17 allez les monstres jacqueline* - Dec 09 2022

web mar 8 2017 [tom tom et nana tome 17 album allez les monstres jacqueline cohen evelyne reberg bernadette després](#)

catherine viansson ponté coloriste note moyenne donner le premier avis extrait tom tom c est le grand frère et nana sa petite soeur des idées géniales plein la tête et une énergie à tout casser ils sèment la

[tom tom et nana tome 17 allez les monstres](#) - Apr 01 2022

web résumé impossible de ne pas connaître tom tom et nana le frère et la soeur de la folle famille dubouchon avec eux la vie au restaurant a la bonne fourchette n est pas toujours un long fleuve tranquille les embrouilles sont toujours au rendez vous

**tom tom et nana tome 17 allez les monstres cultura** - Sep 06 2022

web tom tom et nana tome 17 allez les monstres aux éditions bd kids en 9 histoires les inépuisables bêtises du frère et de la soeur duo infernal c est la fête de l horreur et tom tom refuse catégoriquement que nana y partici

[lucky star myanimelist net](#) - Sep 14 2023

web apr 8 2007 synopsis lucky star follows the daily lives of four cute high school girls konata izumi the lazy otaku the hiiragi twins tsukasa and kagami sugar and spice respectively and the smart and well mannered miyuki takara

**lucky star wiki fandom** - Feb 07 2023

web lucky star began as a manga by kagami yoshimizu the series centers on four main characters that are in their first year of high school konata izumi kagami hiiragi tsukasa hiiragi and miyuki takara konata is an intelligent athletic girl but she s a lazy student mostly because of her obsession with manga and anime and her otaku lifestyle

**lucky star manga will return this year ending 8 year hiatus** - May 10 2023

web sep 6 2022 by aldrin miras september 6 2022 lucky star the comedy slice of life manga by yoshimizu kagami will return after its eight year long hiatus under a new publisher its upcoming return was announced by c2 kikan through a twitter post

□□□□

**lucky star manga wikipedia** - Oct 15 2023

web lucky star japanese □□ □□ hepburn raki suta is a japanese four panel comic strip manga series by kagami yoshimizu it has been serialized in kadokawa shoten s comptiq magazine since december 2003 cameo strips were published in other magazines such as shōnen ace and others

**watch lucky star crunchyroll** - Aug 13 2023

web a classic slice of life comedy that s worth a watch lucky star is a slice of life classic don t expect any zany hi jinks surreal interludes or mysterious talking cats it s four girls with

[lucky star complete series kyoto animation archive org](#) - Apr 09 2023

web nov 5 2020 1 file 468 files 30 original content belongs to kagami yoshimizu kyoto animation and kadokawa edit sorry but the episodes are out of order edit 2 added the ova

**lucky star series lucky star wiki fandom** - Jul 12 2023

web lucky star is a japanese four panel comic strip manga by kagami yoshimizu the strip has been serialized in kadokawa shoten s comptiq magazine since january 2004 cameo strips were published in other magazines such as shōnen ace and others it has no ongoing plot and typically focuses on the

**list of lucky star episodes wikipedia** - Mar 08 2023

web this is an episode listing for the anime adaptation of lucky star the anime containing twenty four episodes aired between april 8 2007 and september 16 2007 on chiba tv and is produced by the animation company kyoto animation the series was directed by japanese animation director yutaka yamamoto for the first four episodes but he was

**lucky star english dub a question of motivation crunchyroll** - Jan 06 2023

web jan 3 2023 watch lucky star english dub a question of motivation on crunchyroll konata always has a creative excuse for her habitual tardiness but karma comes back to bite her when she actually gets

*what made lucky star s anime so iconic anime news network* - Jun 11 2023

web nov 6 2023 no other anime ever captured its era s zeitgeist the way lucky star has sixteen years after it aired and it remains as iconic and emblematic of anime s recent past as ever