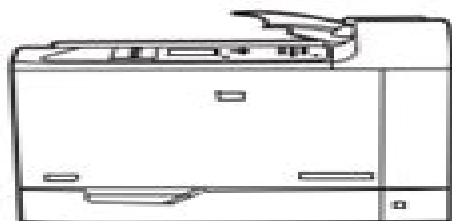


# HP Color LaserJet CP6015 系列印表機

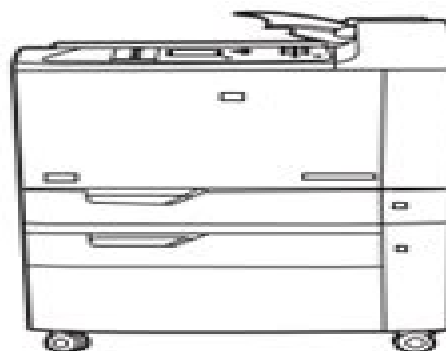
## 使用指南



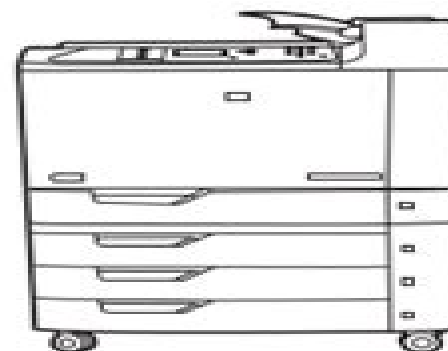
CP6015n  
CP6015dn  
CP6015de



CP6015x



CP6015xh



# Hp 6015 Desktops Owners Manual

**JA Banks**



**Hp 6015 Desktops Owners Manual:**

## The Enigmatic Realm of **Hp 6015 Desktops Owners Manual**: Unleashing the Language is Inner Magic

In a fast-paced digital era where connections and knowledge intertwine, the enigmatic realm of language reveals its inherent magic. Its capacity to stir emotions, ignite contemplation, and catalyze profound transformations is nothing lacking extraordinary. Within the captivating pages of **Hp 6015 Desktops Owners Manual** a literary masterpiece penned by way of a renowned author, readers set about a transformative journey, unlocking the secrets and untapped potential embedded within each word. In this evaluation, we shall explore the book is core themes, assess its distinct writing style, and delve into its lasting effect on the hearts and minds of people who partake in its reading experience.

[https://staging.conocer.cide.edu/About/publication/default.aspx/Komatsu\\_Manual\\_Transmission\\_Cars.pdf](https://staging.conocer.cide.edu/About/publication/default.aspx/Komatsu_Manual_Transmission_Cars.pdf)

### **Table of Contents Hp 6015 Desktops Owners Manual**

1. Understanding the eBook Hp 6015 Desktops Owners Manual
  - The Rise of Digital Reading Hp 6015 Desktops Owners Manual
  - Advantages of eBooks Over Traditional Books
2. Identifying Hp 6015 Desktops Owners Manual
  - Exploring Different Genres
  - Considering Fiction vs. Non-Fiction
  - Determining Your Reading Goals
3. Choosing the Right eBook Platform
  - Popular eBook Platforms
  - Features to Look for in an Hp 6015 Desktops Owners Manual
  - User-Friendly Interface
4. Exploring eBook Recommendations from Hp 6015 Desktops Owners Manual
  - Personalized Recommendations
  - Hp 6015 Desktops Owners Manual User Reviews and Ratings
  - Hp 6015 Desktops Owners Manual and Bestseller Lists

5. Accessing Hp 6015 Desktops Owners Manual Free and Paid eBooks
  - Hp 6015 Desktops Owners Manual Public Domain eBooks
  - Hp 6015 Desktops Owners Manual eBook Subscription Services
  - Hp 6015 Desktops Owners Manual Budget-Friendly Options
6. Navigating Hp 6015 Desktops Owners Manual eBook Formats
  - ePub, PDF, MOBI, and More
  - Hp 6015 Desktops Owners Manual Compatibility with Devices
  - Hp 6015 Desktops Owners Manual Enhanced eBook Features
7. Enhancing Your Reading Experience
  - Adjustable Fonts and Text Sizes of Hp 6015 Desktops Owners Manual
  - Highlighting and Note-Taking Hp 6015 Desktops Owners Manual
  - Interactive Elements Hp 6015 Desktops Owners Manual
8. Staying Engaged with Hp 6015 Desktops Owners Manual
  - Joining Online Reading Communities
  - Participating in Virtual Book Clubs
  - Following Authors and Publishers Hp 6015 Desktops Owners Manual
9. Balancing eBooks and Physical Books Hp 6015 Desktops Owners Manual
  - Benefits of a Digital Library
  - Creating a Diverse Reading Collection Hp 6015 Desktops Owners Manual
10. Overcoming Reading Challenges
  - Dealing with Digital Eye Strain
  - Minimizing Distractions
  - Managing Screen Time
11. Cultivating a Reading Routine Hp 6015 Desktops Owners Manual
  - Setting Reading Goals Hp 6015 Desktops Owners Manual
  - Carving Out Dedicated Reading Time
12. Sourcing Reliable Information of Hp 6015 Desktops Owners Manual
  - Fact-Checking eBook Content of Hp 6015 Desktops Owners Manual
  - Distinguishing Credible Sources
13. Promoting Lifelong Learning

- Utilizing eBooks for Skill Development
  - Exploring Educational eBooks
14. Embracing eBook Trends
- Integration of Multimedia Elements
  - Interactive and Gamified eBooks

## **Hp 6015 Desktops Owners Manual Introduction**

In the digital age, access to information has become easier than ever before. The ability to download Hp 6015 Desktops Owners Manual has revolutionized the way we consume written content. Whether you are a student looking for course material, an avid reader searching for your next favorite book, or a professional seeking research papers, the option to download Hp 6015 Desktops Owners Manual has opened up a world of possibilities. Downloading Hp 6015 Desktops Owners Manual provides numerous advantages over physical copies of books and documents. Firstly, it is incredibly convenient. Gone are the days of carrying around heavy textbooks or bulky folders filled with papers. With the click of a button, you can gain immediate access to valuable resources on any device. This convenience allows for efficient studying, researching, and reading on the go. Moreover, the cost-effective nature of downloading Hp 6015 Desktops Owners Manual has democratized knowledge. Traditional books and academic journals can be expensive, making it difficult for individuals with limited financial resources to access information. By offering free PDF downloads, publishers and authors are enabling a wider audience to benefit from their work. This inclusivity promotes equal opportunities for learning and personal growth. There are numerous websites and platforms where individuals can download Hp 6015 Desktops Owners Manual. These websites range from academic databases offering research papers and journals to online libraries with an expansive collection of books from various genres. Many authors and publishers also upload their work to specific websites, granting readers access to their content without any charge. These platforms not only provide access to existing literature but also serve as an excellent platform for undiscovered authors to share their work with the world. However, it is essential to be cautious while downloading Hp 6015 Desktops Owners Manual. Some websites may offer pirated or illegally obtained copies of copyrighted material. Engaging in such activities not only violates copyright laws but also undermines the efforts of authors, publishers, and researchers. To ensure ethical downloading, it is advisable to utilize reputable websites that prioritize the legal distribution of content. When downloading Hp 6015 Desktops Owners Manual, users should also consider the potential security risks associated with online platforms. Malicious actors may exploit vulnerabilities in unprotected websites to distribute malware or steal personal information. To protect themselves, individuals should ensure their devices have reliable antivirus software installed and validate the legitimacy of the websites they are downloading from. In conclusion, the ability

to download Hp 6015 Desktops Owners Manual has transformed the way we access information. With the convenience, cost-effectiveness, and accessibility it offers, free PDF downloads have become a popular choice for students, researchers, and book lovers worldwide. However, it is crucial to engage in ethical downloading practices and prioritize personal security when utilizing online platforms. By doing so, individuals can make the most of the vast array of free PDF resources available and embark on a journey of continuous learning and intellectual growth.

### **FAQs About Hp 6015 Desktops Owners Manual Books**

How do I know which eBook platform is the best for me? Finding the best eBook platform depends on your reading preferences and device compatibility. Research different platforms, read user reviews, and explore their features before making a choice. Are free eBooks of good quality? Yes, many reputable platforms offer high-quality free eBooks, including classics and public domain works. However, make sure to verify the source to ensure the eBook credibility. Can I read eBooks without an eReader? Absolutely! Most eBook platforms offer web-based readers or mobile apps that allow you to read eBooks on your computer, tablet, or smartphone. How do I avoid digital eye strain while reading eBooks? To prevent digital eye strain, take regular breaks, adjust the font size and background color, and ensure proper lighting while reading eBooks. What the advantage of interactive eBooks? Interactive eBooks incorporate multimedia elements, quizzes, and activities, enhancing the reader engagement and providing a more immersive learning experience. Hp 6015 Desktops Owners Manual is one of the best book in our library for free trial. We provide copy of Hp 6015 Desktops Owners Manual in digital format, so the resources that you find are reliable. There are also many Ebooks of related with Hp 6015 Desktops Owners Manual. Where to download Hp 6015 Desktops Owners Manual online for free? Are you looking for Hp 6015 Desktops Owners Manual PDF? This is definitely going to save you time and cash in something you should think about.

### **Find Hp 6015 Desktops Owners Manual :**

#### **komatsu manual transmission cars**

[komatsu forklift owners manual 25](#)

[kohls coupon codes 30 december 2013 holidays](#)

[komatsu wa320 7 wheel loader service repair manual a36001](#)

[komatsu fd25t forklift manual](#)

[kohler 8eo2d marine generator service manual](#)

[konica minolta 7020 7022 7025 7030 7035 7130 7135 service repair manual](#)

**komatsu pc128uu 2 factory service repair manual**

**komatsu pc 240 service manual**

[konica minolta 601 manual](#)

[komentari i procedures penale kosove](#)

**komatsu 8v170 1 series engine factory service repair workshop manual instant**

[konica minolta bizhub c25 service manual](#)

**komatsu wa470 5 wa480 5 wheel loader service repair manual**

[komatsu pw140 7 wheeled excavator service shop repair manual](#)

### **Hp 6015 Desktops Owners Manual :**

**physician nurse attitudes toward collaboration in istanbul s public** - Jan 31 2023

web abstract the need for greater collaboration between nurses and physicians in clinical practice is essential to improve patient care and worker satisfaction this study used t tests and logistic regression to test four research hypotheses concerning attitudes toward physician nurse collaboration in istanbul turkey

[prepared by the center for effective collaboration and practice](#) - Jul 05 2023

web the center for effective collaboration and practice improving services for children and youth with emotional and behavioral problems is funded under a cooperative agreement with the office of special education programs office of special education and rehabilitative services u s department of education with additional support from the

**center for effective collaboration and practice improving** - Sep 07 2023

web it is the mission of the center for effective collaboration and practice cecp to support and to promote a reoriented national preparedness to foster the development and adjustment of children with or at risk of developing serious emotional disturbance

[center for effective collaboration and practice improving](#) - May 03 2023

web center for effective collaboration and practice improving 3 3 with the process and practice of evidence based social work teaching them to be critical thinkers and judicious decision makers the guidelines it distills are equally valuable to seasoned practitioners seeking to better serve their clients making this an excellent

**brochure center for effective collaboration and practice** - Apr 02 2023

web brochure center for effective collaboration and practice en english deutsch français español portugués italiano român nederlands latina dansk svenska norsk magyar bahasa indonesia türkçe suomi latvian lithuanian česk brochure center for



effective collaboration and practice

**center for effective collaboration and practice cecep** - Oct 08 2023

web cecep focused on four objectives 1 facilitate and expand effective interagency collaboration 2 identify and develop useable and useful information 3 support the exchange and effective use of information and 4 evaluate the impact of cecep s knowledge development and exchange activities

**cep centre for effective practice** - Aug 06 2023

web search our database of tools and find the most relevant tool for you or your practice see all tools the cep strives to be an organization which upholds the values of diversity accessibility equity inclusion and respect

*full article good working relationships how healthcare system* - Aug 26 2022

web jun 14 2021 introduction effective collaboration and teamwork is facilitated by trust between healthcare workers baggs schmitt 1997 fiscella et al 2017 lynch 2018 in turn this work improves patient outcomes in a variety of disease states including diabetes and cancer lynch 2018 noyes et al 2016

a framework for interprofessional team collaboration in a hospital - Nov 28 2022

web jan 20 2022 interprofessional collaboration has become firmly established as an important component within education and healthcare 1 there is emerging evidence that when interprofessional healthcare teams practice collaboratively it can enhance the delivery of person centred care and lead to improved patient and health systems outcomes 2 4

professional communication and team collaboration - Sep 26 2022

web although poor communication can lead to tragic consequences a review of the literature also shows that effective communication can lead to the following positive outcomes improved information flow more effective interventions improved safety enhanced employee morale increased patient and family satisfaction and decreased lengths of

center for effective collaboration and practice improving - Jun 04 2023

web 2 center for effective collaboration and practice improving 2022 02 08 is one where different health and or social professionals share a team identity and work closely together to solve problems and improve delivery of care

full article interprofessional education and practice guide - Jun 23 2022

web this project builds on existing ip practices and curriculum to provide effective collaboration and communication skills training for staff students and health professionals in community settings to improve patient outcomes and increase access to quality health services for vulnerable patients

**center for effective collaboration and practice improving** - May 23 2022

web foundations of evidence based social work practice writing program and writing center collaborations e collaboration concepts methodologies tools and applications business without boundaries center for effective collaboration and practice

improving downloaded from stage gapinc com by guest snyder klein

**boost team collaboration with these 11 strategies 2023 asana** - Feb 17 2022

web nov 18 2022 collaboration in the workplace can spur innovation increase productivity and boost team satisfaction read more about the benefits challenges and values of building collaborative teams below at asana we re on a mission to help humanity thrive by enabling the world s teams to work together effortlessly

**the role of community based health practice on the improvement** - Mar 01 2023

web within an interdisciplinary collaboration among the medicine nursing elderly care and physiotherapy programs a total of 111 students participated in the project this study aimed to evaluate the role of the cbhp on students communication empathy and perception of

e issn 2636 8943 research article the role of community - Oct 28 2022

web the curriculum a community based health practice cbhp was implemented at izmir university of economics iue to improve students communication empathy and perception towards the elderly within an interdisciplinary collaboration among the medicine nursing elderly care and physiotherapy

center for effective collaboration and practice school violence - Jul 25 2022

web center for effective collaboration and practice school violence prevention and intervention includes documents created with support from office of special education programs the office safe and drug free schools program the center for mental health services and the office of juvenile justice and delinquency prevention

**İstanbul Üniversitesi klinik araştırmalar mükemmeliyet** - Mar 21 2022

web duyurular 28 05 2019 İstanbul Üniversitesi cerrahpaşa cerrahpaşa tıp fakültesi ve kardiyoloji ensititüsü klinik araştırma çalışmaları tarafımızca yapılmamaktadır İlgili birimlere başvurmanız ve bilgi almanızı rica ederiz

*interprofessional collaboration and education jstor* - Apr 21 2022

web the rwjf defines effective collaborative practice as promoting<sup>4</sup> the active participation of each discipline in patient care where all disciplines are working together and fully engaging patients and those who support them and leadership on the team adapts based on patient needs effective inter professional collaboration enhances patient

**putting the istanbul principles into practice cso partnership for** - Dec 30 2022

web council for international cooperation ccic auli stark service center for development cooperation kepa and rosalinda c tablang council for people s development and governance cpdg lastly we want to thank the staff and consultants of the open forum for cso development effective ness for their input and support during our cooperation

*a chaque jour suffit son crime points policiers amazon co uk* - May 21 2022

web buy a chaque jour suffit son crime points policiers by bourgoin stéphane isbn 9782757857496 from amazon s book store

everyday low prices and free delivery on eligible orders a chaque jour suffit son crime points policiers amazon co uk bourgoin stéphane 9782757857496 books

**À chaque jour suffit son crime poche stéphane bourgoin fnac** - May 01 2023

web À chaque jour suffit son crime stéphane bourgoin points des milliers de livres avec la livraison chez vous en 1 jour ou en magasin avec 5 de réduction À chaque jour suffit son crime poche stéphane bourgoin achat livre fnac

**a chaque jour suffit sa peine english translation linguee** - Feb 27 2023

web each day has enough trouble of its own a chaque jour suffit sa peine the re is no need to add to the troubles each day brings À chaque jour suffit sa peine take it day by day À chaque jour suffit sa peine ce sont les patients qui sont au centre ici les patients pas les juristes et tous

À chaque jour suffit son crime bourgoin stéphane amazon fr - Jun 02 2023

web du 1 er janvier au 31 décembre pas un jour qui ne réserve son lot de faits divers de meurtres sanglants d arrestations mémorables stéphane bourgoin expert en criminologie recense dans ce livre 365 histoires plus cruelles et insolites que n importe quelle fiction

*a chaque jour suffit son crime stéphane bourgoin babelio* - Oct 06 2023

web sep 15 2016 du 1er janvier au 31 décembre pas un jour qui ne réserve son lot de faits divers de meurtres sanglants d arrestations mémorables stéphane bourgoin expert en criminologie recense dans ce livre 365 histoires plus

**a chaque jour suffit son crime histoire actualité politique** - Feb 15 2022

web aug 2 2021 a chaque jour suffit son crime pas cher retrouvez tous les produits disponibles à l achat dans notre catégorie histoire actualité politique

a chaque jour suffit son crime points policiers french edition - Apr 19 2022

web a chaque jour suffit son crime points policiers french edition bourgoin stéphane amazon com au books

**a chaque jour suffit son crime by stéphane bourgoin goodreads** - Aug 04 2023

web du 1er janvier au 31 décembre pas un jour qui ne réserve son lot de faits divers de meurtres sanglants d arrestations mémorables stéphane bourgoin expert en criminologie recense dans ce livre 365 histoires plus cruelles et insolites que n importe quelle fiction

*a chaque jour suffit son crime stéphane bourgoin furet du nord* - Nov 26 2022

web sep 15 2016 a chaque jour suffit son crime de plongez vous dans le livre stéphane bourgoin au format poche ajoutez le à votre liste de souhaits ou abonnez vous à l auteur stéphane bourgoin livraison gratuite à 0 01 dès 35 d achat furet du nord

**a chaque jour suffit son crime amazon ca** - Jan 29 2023

web a chaque jour suffit son crime bourgoin stephane amazon ca livres livres politique et sciences sociales crime et

criminalité d occasion 3 89 livraison à 6 49 4 26 octobre détails entrez votre adresse d occasion très bon détails vendu par momox shop ajouter au panier vous en avez un à vendre vendre sur amazon

**a chaque jour suffit son crime old syndeohro** - Mar 31 2023

web a chaque jour suffit son crime bossuet groupe fides inc À certaines étapes de la vie sans doute davantage encore lorsqu arrive l âge de la retraite on ressent le besoin de s arrêter pour réfléchir à ce qui advient à ce qui se passe autour de soi dans la société dans laquelle on vit quelques pensées jaillies d une

**traduction de à chaque jour suffit sa peine en anglais reverso** - Sep 24 2022

web À chaque jour suffit sa peine sufficient unto the day is the evil thereof À chaque jour suffit sa peine take a day at a time nous déciderons plus tard à chaque jour suffit sa peine we will decide later and take each day as it comes juste genre à chaque jour suffit sa peine just you know one day at a time kind of thing

9782757857496 À chaque jour suffit son crime abebooks - Aug 24 2022

web du premier au dernier de l année il n est pas un jour sans faits divers meurtres sanglants ou arrestations mémorables stéphane bourgoin expert en criminologie recense dans ce livre 365 histoires plus cruelles et insolites que n importe quelle fiction

*À chaque jour suffit son crime stéphane bourgoin cultura* - Jul 03 2023

web À chaque jour suffit son crime par stéphane bourgoin aux éditions points du premier au dernier de l année il n est pas un jour sans faits divers meurtres sanglants ou arrestations mémorables stéphane bourgoin expert en criminolog

**À chaque jour suffit son crime stép éditions points** - Sep 05 2023

web du 1er janvier au 31 décembre pas un jour qui ne réserve son lot de faits divers de meurtres sanglants d arrestations mémorables stéphane bourgoin expert en criminologie recense dans ce livre 365 histoires plus cruelles et insolites que n importe quelle fiction

*À chaque jour suffit son crime broché e leclerc* - Oct 26 2022

web sep 14 2016 À chaque jour suffit son crime du 1 er janvier au 31 décembre pas un jour qui ne réserve son lot de faits divers de meurtres sanglants d arrestations mémorables stéphane bourgoin expert en criminologie recense dans ce livre 365 histoires plus cruelles et insolites que n importe quelle fiction

**a chaque jour suffit son crime de stéphane bourgoin recyclivre** - Mar 19 2022

web a chaque jour suffit son crime de stéphane bourgoin achats de livres à petits prix livraison gratuite en france 1 million de livres en stock recyclivre rachète et collecte gratuitement vos livres dans toute la france

**À chaque jour suffit son crime bourgoin stéphane** - Dec 28 2022

web sep 15 2016 À chaque jour suffit son crime bourgoin stéphane on amazon com free shipping on qualifying offers À

chaque jour suffit son crime À chaque jour suffit son crime bourgoïn stéphané 9782757857496 amazon com books  
*a chaque jour suffit son crime livre de stéphané bourgoïn - Jul 23 2022*

web du 1er janvier au 31 décembre pas un jour qui ne réserve son lot de faits divers de meurtres sanglants d arrestations mémorables stéphané bourgoïn expert en criminologie recense dans ce livre 365 histoires plus cruelles et insolites que n importe quelle fiction

*a chaque jour suffit son crime poche decitre - Jun 21 2022*

web sep 15 2016 a chaque jour suffit son crime poche stéphané bourgoïn note moyenne donner le premier avis du premier au dernier de l année il n est pas un jour sans faits divers meurtres sanglants ou arrestations mémorables stéphané bourgoïn expert lire la suite 9 40 neuf expédié sous 3 à 6 jours livré chez vous entre le 12 octobre et le 17

**6 3 single ended balanced and double balanced mixers** - Feb 05 2022

may 10 2022 mohamed sas manoli y 2013 design of low power direct conversion rf front end with a double balanced current driven subharmonic mixer in 0 13µm cmos circ syst i

**single balanced mixer vs double balanced mixer** - Dec 03 2021

**enhanced iip2 chopper stabilized direct conversion mixer** - Aug 23 2023

jan 9 2019 abstract this paper presents an improved second order input intercept point iip2 direct conversion mixer architecture by introducing chopping in the standard active double

even harmonic double balanced active mixer for use in direct - Jan 16 2023

jun 15 2020 this paper presents a down conversion active mixer with improved performance for direct conversion receivers in wireless local area networks the effect of negative

**performance improvement of a down conversion active mixer** - Dec 15 2022

aug 7 2002 this paper presents a 1 9 ghz double balanced subharmonic mixer for wireless communications applications the mixer is fabricated in a 0 35 spl mu m bicmos process

**high performance direct conversion receivers arrl** - Mar 06 2022

the triple balanced mixers is nearly always referred to as a double balanced mixer one cannot say whether a mixer is balanced or even double balanced without tracing through the

**ad831 datasheet and product info analog devices** - Oct 13 2022

publisher ieee in this paper a millimeter wave mmw gilbert cell up conversion mixer using standard 130 nm cmos technology is presented this mixer has a power conversion gain of

*electronics free full text a linearity improvement front end* - Jul 10 2022

apr 1 2005 operated as a downconverter mixer the newly developed direct conversion mixer achieves a measured conversion gain of 16 db given an rf signal at 30 ghz lo drive

[a 2 4 ghz double balanced downconversion mixer with improved](#) - Aug 11 2022

aug 24 2020 electronics free full text a linearity improvement front end with subharmonic current commutating passive mixer for 2 4 ghz direct conversion receiver in 0 13  $\mu$ m

[a 60 ghz double balanced mixer for direct up conversion](#) - Sep 12 2022

dec 13 2019 a 2 4 ghz double balanced downconversion mixer with improved conversion gain in 180 nm technology

shubham kumar satyam saraiyan shashank kumar dubey s

**even harmonic double balanced active mixer for use in direct** - Apr 07 2022

diode mixers and double balanced diode mixers i built a direct conversion 2 meter receiver on a superstrip not recommended and an ne602 20 meter receiver in a matchbox real

[a review on cmos down conversion mixer for high frequency](#) - Jan 04 2022

dec 28 2021 one of the important classification of mixer modulator is whether it unbalanced mixers single balanced mixers or double balanced mixers the difference between these

**achieving high linearity and conversion gain in double balanced** - Feb 17 2023

sep 29 2003 even harmonic double balanced active mixer for use in direct conversion receivers abstract an active double balanced even harmonic mixer implemented in a 0 35

[a monolithic double balanced direct conversion mixer with an](#) - Sep 24 2023

mar 21 2005 a monolithic double balanced direct conversion mixer with an integrated wideband passive balun abstract this paper presents the design and performance characteristics of a 20 40 ghz monolithic double balanced direct conversion mixer implemented using

[a monolithic double balanced direct conversion mixer](#) - Jun 09 2022

may 1 2019 it is also called a converter because it converts rf signals into a lower intermediate frequency if by mixing with an offset local oscillator lo depending on the

[a study of zero if double balanced mixer for wimax receivers](#) - May 08 2022

nov 1 2003 even harmonic double balanced active mixer for use in direct conversion receivers doi authors marc goldfarb ed balboni john cavey request full text abstract

[a 1 9 ghz double balanced subharmonic mixer for direct](#) - Nov 14 2022

the ad831 is a low distortion wide dynamic range monolithic mixer for use in such applications as rf to if down conversion in hf and vhf receivers the second mixer in dmr base

difference between unbalanced single and double balanced - Nov 02 2021

**an ism band direct down conversion double balanced mixer for** - Apr 19 2023

oct 14 2022 in this study the design of a direct down conversion double balanced gilbert mixer at 432 mhz is presented the proposed circuit achieves a 13.4 db double sideband

design and optimization of a direct conversion - Mar 18 2023

jan 2 2021 the simulated response of the proposed mixer shows a conversion gain of 12 db iip3 point of 8.3 dbm and one db compression point of 8.5 dbm 1 introduction multiband and

broadband direct conversion transmitter receiver at d band - May 20 2023

the direct conversion transmitter starts with an active double balanced gilbert cell followed by a driver amplifier a 9.1 frequency multiplier circuit realized by two successive tripler stages

**designing of double balanced gilbert mixer for direct conversion** - Jun 21 2023

oct 28 2018 this paper presents the designing of double balanced cmos mixer for direct conversion receiver operating at a frequency of 2.4ghz in 180nm cmos technology using

design and optimization of double balanced gilbert cell mixer in - Jul 22 2023

dec 1 2020 an improved design procedure for double balanced gilbert cell mixer is proposed for specific gain and power requirements at various license exempted frequency ranges for a