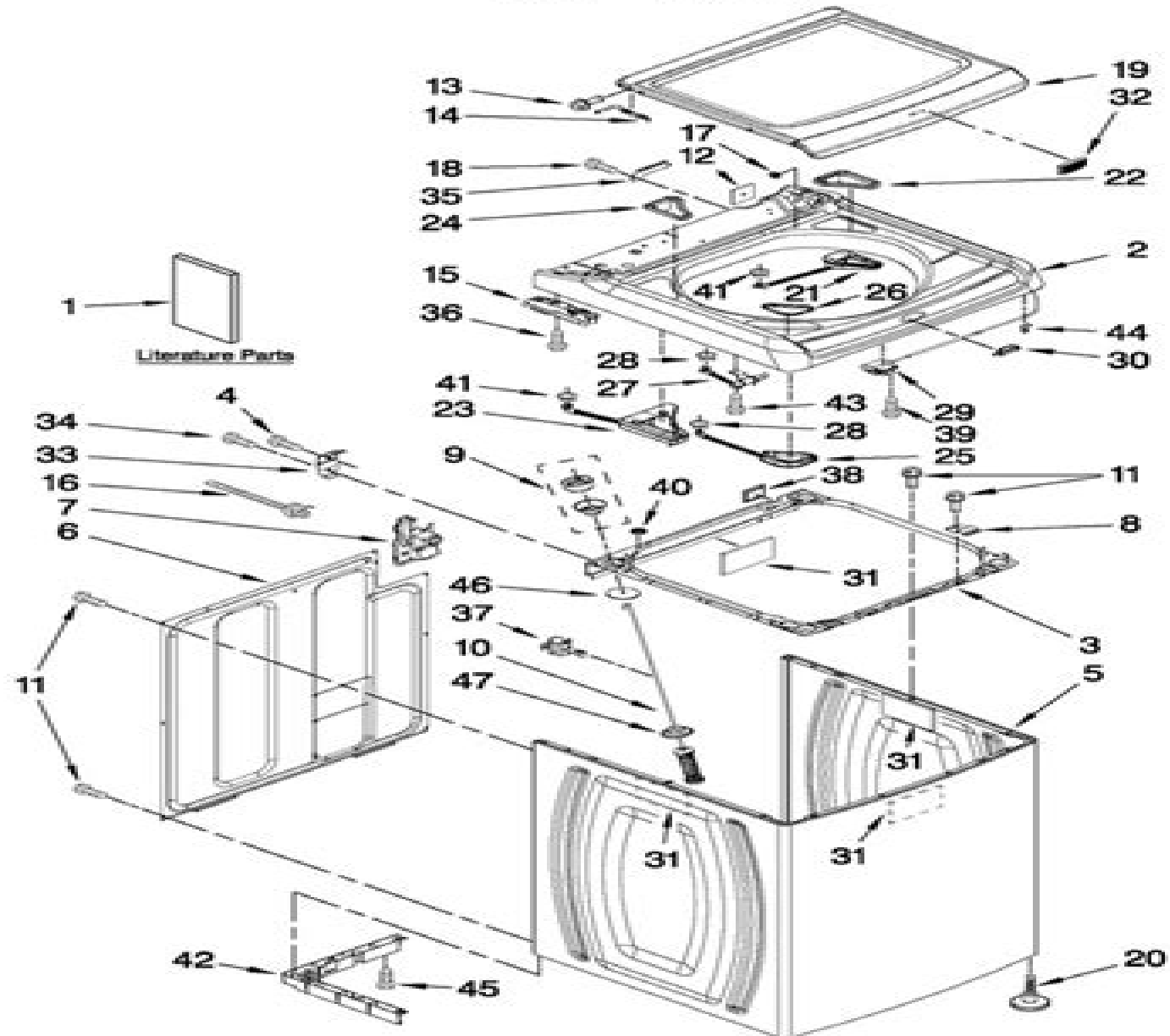


TOP AND CABINET PARTS

AUTOMATIC WASHER

For Models: MVWB850YW1, MVWB850YG1
(White) (Cosmetallic)



FOR ORDERING INFORMATION REFER TO PARTS PRICE LIST

Maytag Washing Machine Parts Diagram

J Dewey



Maytag Washing Machine Parts Diagram:

Ignite the flame of optimism with its motivational masterpiece, Find Positivity in **Maytag Washing Machine Parts Diagram**. In a downloadable PDF format (PDF Size: *), this ebook is a beacon of encouragement. Download now and let the words propel you towards a brighter, more motivated tomorrow.

<https://staging.conocer.cide.edu/files/Resources/Documents/Itch%20Sniffle%20And%20Sneeze%20All%20About%20Asthma%20Hay%20Fever%20And%20Other%20Allergies.pdf>

Table of Contents Maytag Washing Machine Parts Diagram

1. Understanding the eBook Maytag Washing Machine Parts Diagram
 - The Rise of Digital Reading Maytag Washing Machine Parts Diagram
 - Advantages of eBooks Over Traditional Books
2. Identifying Maytag Washing Machine Parts Diagram
 - Exploring Different Genres
 - Considering Fiction vs. Non-Fiction
 - Determining Your Reading Goals
3. Choosing the Right eBook Platform
 - Popular eBook Platforms
 - Features to Look for in an Maytag Washing Machine Parts Diagram
 - User-Friendly Interface
4. Exploring eBook Recommendations from Maytag Washing Machine Parts Diagram
 - Personalized Recommendations
 - Maytag Washing Machine Parts Diagram User Reviews and Ratings
 - Maytag Washing Machine Parts Diagram and Bestseller Lists
5. Accessing Maytag Washing Machine Parts Diagram Free and Paid eBooks
 - Maytag Washing Machine Parts Diagram Public Domain eBooks
 - Maytag Washing Machine Parts Diagram eBook Subscription Services
 - Maytag Washing Machine Parts Diagram Budget-Friendly Options

6. Navigating Maytag Washing Machine Parts Diagram eBook Formats
 - ePub, PDF, MOBI, and More
 - Maytag Washing Machine Parts Diagram Compatibility with Devices
 - Maytag Washing Machine Parts Diagram Enhanced eBook Features
7. Enhancing Your Reading Experience
 - Adjustable Fonts and Text Sizes of Maytag Washing Machine Parts Diagram
 - Highlighting and Note-Taking Maytag Washing Machine Parts Diagram
 - Interactive Elements Maytag Washing Machine Parts Diagram
8. Staying Engaged with Maytag Washing Machine Parts Diagram
 - Joining Online Reading Communities
 - Participating in Virtual Book Clubs
 - Following Authors and Publishers Maytag Washing Machine Parts Diagram
9. Balancing eBooks and Physical Books Maytag Washing Machine Parts Diagram
 - Benefits of a Digital Library
 - Creating a Diverse Reading Collection Maytag Washing Machine Parts Diagram
10. Overcoming Reading Challenges
 - Dealing with Digital Eye Strain
 - Minimizing Distractions
 - Managing Screen Time
11. Cultivating a Reading Routine Maytag Washing Machine Parts Diagram
 - Setting Reading Goals Maytag Washing Machine Parts Diagram
 - Carving Out Dedicated Reading Time
12. Sourcing Reliable Information of Maytag Washing Machine Parts Diagram
 - Fact-Checking eBook Content of Maytag Washing Machine Parts Diagram
 - Distinguishing Credible Sources
13. Promoting Lifelong Learning
 - Utilizing eBooks for Skill Development
 - Exploring Educational eBooks
14. Embracing eBook Trends
 - Integration of Multimedia Elements

- Interactive and Gamified eBooks

Maytag Washing Machine Parts Diagram Introduction

In this digital age, the convenience of accessing information at our fingertips has become a necessity. Whether its research papers, eBooks, or user manuals, PDF files have become the preferred format for sharing and reading documents. However, the cost associated with purchasing PDF files can sometimes be a barrier for many individuals and organizations. Thankfully, there are numerous websites and platforms that allow users to download free PDF files legally. In this article, we will explore some of the best platforms to download free PDFs. One of the most popular platforms to download free PDF files is Project Gutenberg. This online library offers over 60,000 free eBooks that are in the public domain. From classic literature to historical documents, Project Gutenberg provides a wide range of PDF files that can be downloaded and enjoyed on various devices. The website is user-friendly and allows users to search for specific titles or browse through different categories. Another reliable platform for downloading Maytag Washing Machine Parts Diagram free PDF files is Open Library. With its vast collection of over 1 million eBooks, Open Library has something for every reader. The website offers a seamless experience by providing options to borrow or download PDF files. Users simply need to create a free account to access this treasure trove of knowledge. Open Library also allows users to contribute by uploading and sharing their own PDF files, making it a collaborative platform for book enthusiasts. For those interested in academic resources, there are websites dedicated to providing free PDFs of research papers and scientific articles. One such website is Academia.edu, which allows researchers and scholars to share their work with a global audience. Users can download PDF files of research papers, theses, and dissertations covering a wide range of subjects. Academia.edu also provides a platform for discussions and networking within the academic community. When it comes to downloading Maytag Washing Machine Parts Diagram free PDF files of magazines, brochures, and catalogs, Issuu is a popular choice. This digital publishing platform hosts a vast collection of publications from around the world. Users can search for specific titles or explore various categories and genres. Issuu offers a seamless reading experience with its user-friendly interface and allows users to download PDF files for offline reading. Apart from dedicated platforms, search engines also play a crucial role in finding free PDF files. Google, for instance, has an advanced search feature that allows users to filter results by file type. By specifying the file type as "PDF," users can find websites that offer free PDF downloads on a specific topic. While downloading Maytag Washing Machine Parts Diagram free PDF files is convenient, its important to note that copyright laws must be respected. Always ensure that the PDF files you download are legally available for free. Many authors and publishers voluntarily provide free PDF versions of their work, but its essential to be cautious and verify the authenticity of the source before downloading Maytag Washing Machine Parts Diagram. In conclusion, the internet offers numerous platforms and websites that allow users to download

free PDF files legally. Whether its classic literature, research papers, or magazines, there is something for everyone. The platforms mentioned in this article, such as Project Gutenberg, Open Library, Academia.edu, and Issuu, provide access to a vast collection of PDF files. However, users should always be cautious and verify the legality of the source before downloading Maytag Washing Machine Parts Diagram any PDF files. With these platforms, the world of PDF downloads is just a click away.

FAQs About Maytag Washing Machine Parts Diagram Books

What is a Maytag Washing Machine Parts Diagram PDF? A PDF (Portable Document Format) is a file format developed by Adobe that preserves the layout and formatting of a document, regardless of the software, hardware, or operating system used to view or print it. **How do I create a Maytag Washing Machine Parts Diagram PDF?** There are several ways to create a PDF: Use software like Adobe Acrobat, Microsoft Word, or Google Docs, which often have built-in PDF creation tools. Print to PDF: Many applications and operating systems have a "Print to PDF" option that allows you to save a document as a PDF file instead of printing it on paper. Online converters: There are various online tools that can convert different file types to PDF. **How do I edit a Maytag Washing Machine Parts Diagram PDF?** Editing a PDF can be done with software like Adobe Acrobat, which allows direct editing of text, images, and other elements within the PDF. Some free tools, like PDFescape or Smallpdf, also offer basic editing capabilities. **How do I convert a Maytag Washing Machine Parts Diagram PDF to another file format?** There are multiple ways to convert a PDF to another format: Use online converters like Smallpdf, Zamzar, or Adobe Acrobats export feature to convert PDFs to formats like Word, Excel, JPEG, etc. Software like Adobe Acrobat, Microsoft Word, or other PDF editors may have options to export or save PDFs in different formats. **How do I password-protect a Maytag Washing Machine Parts Diagram PDF?** Most PDF editing software allows you to add password protection. In Adobe Acrobat, for instance, you can go to "File" -> "Properties" -> "Security" to set a password to restrict access or editing capabilities. Are there any free alternatives to Adobe Acrobat for working with PDFs? Yes, there are many free alternatives for working with PDFs, such as: LibreOffice: Offers PDF editing features. PDFsam: Allows splitting, merging, and editing PDFs. Foxit Reader: Provides basic PDF viewing and editing capabilities. How do I compress a PDF file? You can use online tools like Smallpdf, ILovePDF, or desktop software like Adobe Acrobat to compress PDF files without significant quality loss. Compression reduces the file size, making it easier to share and download. Can I fill out forms in a PDF file? Yes, most PDF viewers/editors like Adobe Acrobat, Preview (on Mac), or various online tools allow you to fill out forms in PDF files by selecting text fields and entering information. Are there any restrictions when working with PDFs? Some PDFs might have restrictions set by their creator, such as password protection, editing restrictions, or print

restrictions. Breaking these restrictions might require specific software or tools, which may or may not be legal depending on the circumstances and local laws.

Find Maytag Washing Machine Parts Diagram :

itch sniffle and sneeze all about asthma hay fever and other allergies

its easy to read electronics diagrams

~~its still the economy stupid~~

its hard to talk about yourself

italians trophy mistress

its a lovely day outside

italy before the romans the iron age

ivories from nimrud 5

italy in the shadow of time

its up to you a guide to changing the system

its raining cats and dogs and other beastly expressions

italia al guinzaglio storie di animali e dei loro padroni

ivory crisis

~~it may be cat crap to you but its our bread butter~~

italian eng dict.

Maytag Washing Machine Parts Diagram :

once upon a mastodon all about prehistoric mammals alibris - May 22 2022

web sep 23 2014 *once upon a mastodon all about prehistoric mammals isbn 037587075x ean13 9780375870750 language*

english release date sep 23 2014

once upon a mastodon all about prehistoric mammals - Jan 30 2023

web the cat in the hat embarks on a whirlwind tour of pleistocene animals introducing species ranging from mastodons and

mammoths to woolly rhinos and saber toothed cats

once upon a mastodon all about prehistoric mammals google - Dec 17 2021

web *once upon a mastodon all about prehistoric mammals cat in the hat s learning library by bonnie worth 2014 09 23 on*

amazon com free shipping on qualifying

[once upon a mastodon all about prehistoric mammals](#) - Feb 28 2023

web buy once upon a mastodon all about prehistoric mammals by worth bonnie online on amazon ae at best prices fast and free shipping free returns cash on delivery available

once upon a mastodon all about prehistoric mammals cat in - Nov 15 2021

[once upon a mastodon all about prehistoric mammals](#) - Jul 04 2023

web the cat in the hat visits with ice age mammals on a whirlwind tour of the pleistocene from ground sloths as big as elephants to bears as heavy as volkswagens the cat introduces

once upon a mastodon penguin random house elementary - Jun 03 2023

web read 8 reviews from the world s largest community for readers how cool the cat and co time travel to the great ice age the cat in the hat visits with

once upon a mastodon all about prehistoric mammals - Sep 06 2023

web once upon a mastodon all about prehistoric mammals by worth bonnie author publication date 2014 topics mammals fossil juvenile literature glacial epoch

once upon a mastodon all about prehistoric mammals - Aug 25 2022

web once upon a mastodon all about prehistoric mammals 9780375870750 juvenile the cat in the hat visits with ice age mammals on a whirlwind tour of the pleistocene

[once upon a mastodon all about prehistoric mammals google](#) - Jan 18 2022

web the cat in the hat visits with ice age mammals on a whirlwind tour of the pleistocene from ground sloths as big as elephants to bears as heavy as volkswagens the cat introduces

once upon a mastodon all about prehistoric mammal bonnie - Mar 20 2022

web sep 25 2023 kindle once upon a mastodon all about prehistoric mammals cat in the hats learning library free read how cool the cat and co time travel to the great

[once upon a mastodon all about prehistoric mammals overdrive](#) - Jun 22 2022

web buy once upon a mastodon all about prehistoric mammals by bonnie worth online at alibris we have new and used copies available in 1 editions starting at 1 87 shop now

once upon a mastodon all about prehistoric mammals worth - Nov 27 2022

web buy once upon a mastodon 9780375870750 all about prehistoric mammals nhbs bonnie worth aristides ruiz joe mathieu random house books for young readers

once upon a mastodon all about prehistoric mammals austin - Dec 29 2022

web once upon a mastodon all about prehistoric mammals worth bonnie amazon com au books skip to main content com au delivering to sydney 1171 to

once upon a mastodon all about prehistoric mammals nhbs - Oct 27 2022

web buy once upon a mastodon all about prehistoric mammals online on amazon eg at best prices fast and free shipping free returns cash on delivery available on eligible

once upon a mastodon all about prehistoric mammals - Jul 24 2022

web once upon a mastodon all about prehistoric mammals overdrive

once upon a mastodon all about prehistoric mammals - Apr 01 2023

web once upon a mastodon all about prehistoric mammals worth bonnie amazon ca books

once upon a mastodon all about prehistoric mammals - May 02 2023

web sep 23 2014 the cat in the hat visits with ice age mammals on a whirlwind tour of the pleistocene from ground sloths as big as elephants to bears as heavy as volkswagens

once upon a mastodon all about prehistoric mammals - Apr 20 2022

web once upon a mastodon all about prehistoric mammal by online you might not require more get older to spend to go to the ebook commencement as capably as search for

kindle once upon a mastodon all about prehistoric mammals - Feb 16 2022

web sep 23 2014 the cat in the hat visits with ice age mammals on a whirlwind tour of the pleistocene from ground sloths as big as elephants to bears as heavy as volkswagens

once upon a mastodon all about prehistoric mammals google - Aug 05 2023

web the cat in the hat visits with ice age mammals on a whirlwind tour of the pleistocene from ground sloths as big as elephants to bears as heavy as volkswagens the cat introduces

once upon a mastodon all about prehistoric mammals hardcover - Sep 25 2022

web in stock stock no ww870750 how cool the cat and co time travel to the great ice age the cat in the hat visits with ice age mammals on a whirlwind tour of the pleistocene

once upon a mastodon all about prehistoric mammals - Oct 07 2023

web sep 23 2014 it teaches children about some of the prehistoric mammals that dominated the earth after the dinosaurs died while kids love dinosaurs they also like mammoths and saber toothed cats quite a few prehistoric mammals are mentioned the picture

créer un business plan exemples et modèles on business plan - Feb 15 2023

web créer un business plan exemples et modèles présente une méthode dynamique et efficace pour écrire rapidement son business plan sans mettre de côté l'avancement de sa création startup

créer un business plan exemples et modèles on business plan - Oct 23 2023

web modèle plan de business plan pour pitcher un investisseur le business plan un exercice formel 1 s informer et trouver l'opportunité de création 2 constituer son équipe 3 connaître son marché 4 comprendre la concurrence 5 définir son offre 6 trouver son business model 7 mettre au point une stratégie marketing 8

download solutions cra c er un business plan exemples et moda les on - Mar 16 2023

web cra c er un business plan exemples et moda les on business systems a basic college textbook editorial board e r dickey and others oct 26 2020 guts oct 06 2021 read it for no other reason than to learn bob s seven immutable laws of business this is vintage bob contrarian thoughtful and he s really fun to read

cra c er un business plan exemples et moda les on - Apr 05 2022

web cra c er un business plan exemples et moda les on 3 3 social responsibility 6 business ethics and rating agencies daily graphic springer science business media auditing 1 origin and growth of auditing 2 meaning definition and scope of auditing 3 objects and advantages of auditing 4 classification of audit 5

créer un business plan exemples et modèles on business plan - May 06 2022

web oct 3 2023 créer un business plan exemples et modèles on business plan by j georges journal des dbats hansard of the mittee on social gazette archive up to may 2015 full text of living french a new course in reading of the following list traduction française languee cours evaluation d'entreprise hem 2009 2010 e k rapport les

cra c er un business plan exemples et moda les on pdf - Jun 19 2023

web 2 cra c er un business plan exemples et moda les on 2021 11 16 nature of ethics and its relevance to business 3 introduction to business value 4 value based management 5 the changing value systems of india 6 work life in indian philosophy work ethos work place values and work life balance 7 relationship

business plan guide et exemples à découvrir asana - Sep 22 2023

web jun 23 2023 que vous soyez un créateur d'entreprise ou un porteur de projet de reprise d'entreprise vous avez besoin d'un business plan solide il présente tous les aspects allant du développement du produit ou du service aux stratégies de marketing stratégie commerciale prévisions financières sans oublier la comptabilité

cra c er un business plan exemples et moda les on pdf - Oct 11 2022

web cra c er un business plan exemples et moda les on 3 3 networking tene 05 international conference on engineering education instructional technology assessment and e learning eiae 05 include a set of rigorously reviewed world class manuscripts addressing and detailing state of the art research projects in the areas of industrial

cra c er un business plan exemples et moda les on pdf pdf - Nov 12 2022

web cra c er un business plan exemples et moda les on pdf upload caliva k robertson 2 3 downloaded from bukuclone ortax org on september 4 2023 by caliva k robertson world population to 2300 2004 based on the 2002 revision the population division has adopted 2 major innovations for this new set of long range population projections

read free cra c er un business plan exemples et moda les on - May 18 2023

web elle contient un exemple inédit de business plan ainsi que des conseils pour la rédaction et la présentation de celui ci cet ouvrage s adresse à tous les acteurs responsables financiers contrôleurs de gestion responsables de projets bancaires et investisseurs amenés à bâtir un business plan ou à prendre la décision d investir

cra c er un business plan exemples et moda les on - Mar 04 2022

web cra c er un business plan exemples et moda les on downloaded from stage gapinc com by guest francis kingston asean 3 multi currency bond issuance framework cch canadian limited this is a unique reference source of high level comparative information on aspects of tax administration system design and practice

créer un business plan exemples et modèles on business plan - Dec 13 2022

web un plan de business plan modèle créer un business plan donne une structure à suivre pour rédiger votre plan d affaires ce modèle de plan s adapte ensuite de manière très flexible selon le contexte de votre présentation et votre destinataire

cra c er un business plan exemples et moda les on book - Aug 09 2022

web cra c er un business plan exemples et moda les on planning problems of town city and region nov 13 2022 learning to plan modern languages lessons apr 06 2022 learning to plan modern languages lessons contains a wealth of guidance and ideas for those learning to teach in secondary schools

cra c er un business plan exemples et moda les on - Jun 07 2022

web 2 cra c er un business plan exemples et moda les on 2023 01 24 investment last but not least is a discussion of the role of the brazilian state in the economy whether through state enterprises competition policy or corruption volunteerism and private sector initiatives for older nebraskans xlibris corporation

cra c er un business plan exemples et moda les on full pdf - Jan 14 2023

web anyone involved in the fashion and clothing business deals with contemporary issues in fashion marketing up to date examples of global good practice exclusively about fashion marketing a unique contribution on range planning with a practical blend of sound design sense and commercial realism a balance of theory and practice

cra c er un business plan exemples et moda les on ftp bonide - Jul 08 2022

web cra c er un business plan exemples et moda les on 3 3 such as the increase in south south cooperation and trade as well as foreign direct investment last but not least is a discussion of the role of the brazilian state in the economy whether

through state enterprises competition policy or corruption federal energy regulatory

le plan d affaires définition contenu construction et exemple - Jul 20 2023

web le plan d affaires ou business plan est un document écrit qui présente le projet de l entrepreneur et son modèle économique puis qui propose ensuite une étude financière composée de plusieurs tableaux il s agit d un outil très important pour l entrepreneur notamment pour prouver la viabilité de son projet et pour communiquer avec des

cra c er un business plan exemples et moda les on 2023 - Aug 21 2023

web vendre 3 ou 4 plus que les systèmes classiques générer du trafic ciblé en masse et des tonnes d inscrits à votre mailing list montez un site rentable de la façon la plus rapide en partant de rien cette méthode vous donne un plan d action concret en 5 modules pour créer un site ou un blog qui va vous

ebook cra c er un business plan exemples et moda les on - Apr 17 2023

web cra c er un business plan exemples et moda les on management lessons from the e r mar 29 2023 life in the emergency room is often like that in the business world both are places of activity and excitement unexpected developments highs and lows crises and great intensity on the treatment table and in the boardroom

cra c er un business plan exemples et moda les on 2022 - Sep 10 2022

web cra c er un business plan exemples et moda les on 3 3 information and system sciences and engineering cisse 2005 cisse 2005 the world s first engineering c omputing and systems research e conference was the first high caliber research conference in the world to be completely conducted online in real time via the internet

kontrola misli lujza hej louise hay sa prevodom youtube - May 12 2023

web may 9 2016 louise hay sa prevodom titluj me 9 65k subscribers subscribe 1 2k share 135k views 7 years ago u vama postoji nevjerovatno moćna inteligencija koja neprestano odgovara na vaše misli poslušajte

lujza hej 100 najboljih afirmacija reči koje donose pozitivnu - Aug 15 2023

web may 31 2018 3 jutarnja rituala koje preporučuje lujza hej evo kako vaš život zavisi od prvog sata posle buđenja svakog dana dok čitate ove afirmacije razmišljajte kako želite živeti i šta želite postići u životu neka vam ove reči daju snagu utehu isceljenje i ljubav baš kako bi lujza to želela

ovladajte afirmacijama za 21 dan lujza hej knjižare - Jan 28 2022

web knjige lujze hej o afirmacijama prodate su u više od 39 miliona primeraka širom sveta svaka od njih nudi veštinu koja već 30 godina velikom broju ljudi pruža utehu i isceljenje delo ovladajte afirmacijama za 21 dan pomoći će vam da s lakoćom i na brz način ovladate tom neverovatno moćnom veštinom

spisak bolesti i njenih uzroka lujza hej herbada - Sep 04 2022

web spisak bolesti i njenih uzroka lujza hej kako isceliti duh i telo zdrava sam i potpuna pregledajte sledeći popis i pokušajte

pronaći vezu između bolesti koje ste imali ili je još imate i verovatnih uzroka koje sam nabrojila koristite ovaj popis kada ste bolesni poremećaj adenoidne vegetacije verovatni uzrok porodična nesloga i prepiranje

3 jutarnja rituala koje preporučuje lujza hej evo kako vaš život - Jul 02 2022

web sep 21 2016 lujza hej vežba sa ogledalom za jačanje samopoštovanja zamislite kako hodate i otvarate vrata najlepših iskustava sreće mira ozdravljenja blagostanja ljubavi vrata razumevanja saosjećanja oprostaja vrata slobode vrata samopouzdanja i neizmerne ljubavi prema sebi sva su ona ispred vas koja ćete prva otvoriti

kako da izlečite svoj život lujza hej knjižare vulkan - Feb 26 2022

web autor lujza hej izdavač verba prodana u preko 30 miliona primeraka ovo je izuzetna knjiga za one koji žele da unesu pozitivne promene u svoj život i da pronađu izvore samopouzdanja i ljubavi prema sebi

lujza hej 3 načina promene koje preporučujem kurir - Apr 11 2023

web may 23 2015 da bi se promena dogodila neophodno je da iskoračite iz svakodnevnice i uobičajene rutine lujza hej savetuje praktikovanje 3 načina promena rad s afirmacijama nije jedini način da se menjate kaže slavna autorka metode heal your life lujza hej 1

lujza hej ovo je čudesan lek za svaki naš problem evo kako - Jan 08 2023

web mar 5 2021 lujza hej sve bolesti izviru iz jedne stvari a ovo je najbolji lek izvor foto shutterstock jedna od najvažnijih stvari koja će vas podstaći da promenite misli i obrasce je ljubav prema sebi ponavljanje pozitivnih afirmacija i odgovornost daće vam moć

lujza hej moć žene prvo poglavlje prvi koraci youtube - Jul 14 2023

web nov 5 2022 1k views 9 months ago talijas lujza hej pokazuje vam kako da postanete snažna i moćna bića bez obzira na to kakva vam je prošlost možete se izdici iznad nje i stići do vrha lujza

važni trenuci našeg života lujza hej vulkan izdavaštvo - Jun 01 2022

web isbn 978 86 10 04601 4 autor lujza hej u ovoj knjizi autorka mnogobrojnih bestselera lujza hej sabrala je određena istinita iskustva odabrana iz književnih dela nekih od najčuvenijih pisaca i učitelja u oblasti samopomoći preobražaja društvene svesti i

afirmacije 2021 pozitivne afirmacije lujza hej jatomogu - Nov 06 2022

web o značaju i vrednosti afirmacija među prvima je govorila lujza hej poznata američka spisateljica i motivacioni govornik koja se smatra autorom mnogih čuvenih afirmacija zbog toga ćete možda imati priliku da pročitate da se lujza hej afirmacije i pozitivne misli često pominju u zajedničkom kontekstu

bolna životna priča lujze hej kurir - Oct 05 2022

web sep 7 2023 pop kultura lidija stoisavljevic 08 09 2023 08 08h motivaciona govornica i autorka mnogih knjiga o

samorazvoju lujza hej imala je teško detinjstvo videla je nasilje u porodici bila je žrtva silovanja a i u više navrata nije

lujza hej delfi knjižare sve dobre knjige na jednom mestu - Mar 30 2022

web lujza hej Šeril ričardson premium i do 891 00 din 1 100 00 din 10 10 za 3 volite svoje telo lujza hej premium i do 445 50 din 550 00 din 10 10 za 3 iscelite svoje telo lujza hej premium i do 647 19 din 799 00 din 10

moć je u vama lujza hej vulkan izdavaštvo - Aug 03 2022

web ne fikcija Šifra artikla 25195 isbn 978 86 10 03254 3 autor lujza hej u još jednom bestseleru lujza hej poziva čitaoce da otkriju sopstvenu moć i unutrašnju snagu blagostanje nije tako teško dosegnuti potrebno je samo odbaciti nametnuta mišljenja i poslušati sopstveni glas

lujza hej najlepší citati umrla lujza hej magazin stil mondo - Dec 07 2022

web aug 31 2017 lujza hej preminula je juče u snu lujza hej preminula je juče u 90 godini mirno prirodnom smrću okružena porodicom objavljeno je na njenoj facebook stranici ona je bila inspiracija mnogima jer je uspela potpuno da preokrene svoju sudbinu

kako da izlečiš svoj život dušu i srce 20 najmoćnijih poruka lujze hej - Mar 10 2023

web sep 18 2020 lujza hej bila je talentovani psiholog jedan od osnivača tehnike samopomoći kroz pozitivno razmišljanje i autor više od 30 psiholoških knjiga pobedila je rak bez korišćenja lekova i operacije i pomogla je hiljadama ljudi da pronađu sreću ozdrave i promene svoj život ne propustite

lujza név jelentése lujza névnapja lujza becézése és más érdekességek - Dec 27 2021

web a lujza névszáma 7 a 7 es szám jegyében született ember életét a bölcesség az okkult tudás és a titkok jellemzik olyan tudás birtokosai amivel egyszerűen irányíthatják a többieket könnyedén felszínre hozzák még a legtitkosabb érzéseket gondolatokat is szinte belelátanak másokba nagyon erősek a megérzéseik

luiza l hej Bukuneđuja - Feb 09 2023

web luiza lin hej engl louise lynn hay 8 oktobar 1926 30 avgust 2017 bila je američki motivacioni autor i osnivač kuće hej haus autorka je nekoliko knjiga o samopouzdanju rođena je u los anđelesu roditelji su joj bili henri džon luni i veronika Čvala

Životna priča lujze hej stil kurir rs - Apr 30 2022

web sep 5 2023 Životna priča lujze hej sa 5 godina je silovana s 15 je ostala trudna znala je samo za batine dobila je rak a onda joj je život postao bajka Životna priča lujze hej prepuna je teških događaja a način na koji je sve prevazišla je neverovatan vip priča 05 09 2023 16 04h autor stil foto printscreen youtube krishnamurtiandmore

lujza hej ja to mogu samopostovanje youtube - Jun 13 2023

web nov 22 2017 lujza hej ja to mogu samopostovanje put ostvarenja 2 6k subscribers 44k views 5 years ago ne dajte da vas obezhrabri bilo kakva prepreka učite se novom procesu kako budete sticali iskustvo

