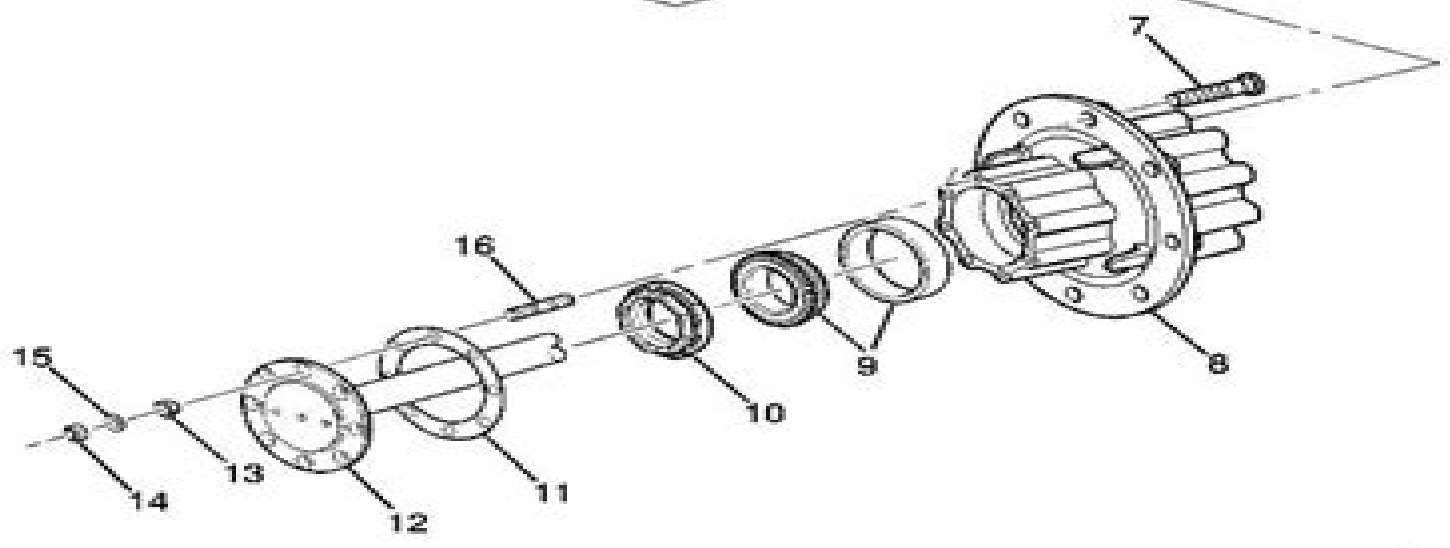
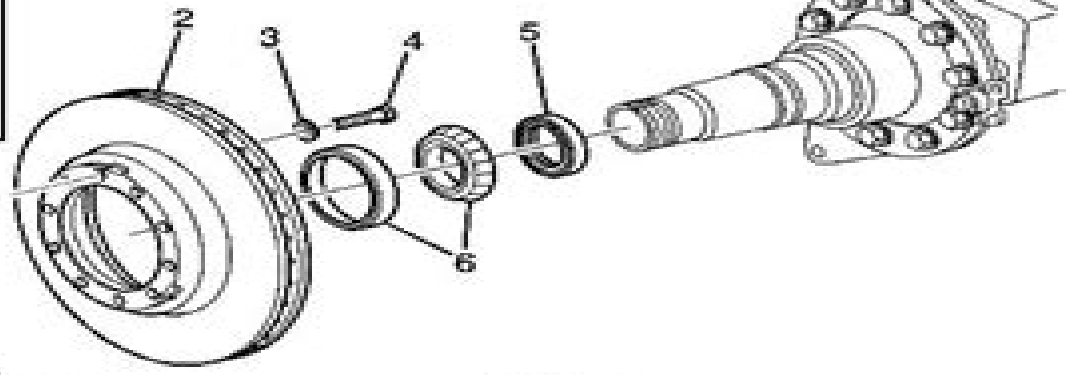


1



Hub Torque Specs 2000 Gmc C5500

Guillaume Favre



Hub Torque Specs 2000 Gmc C5500:

If you ally need such a referred **Hub Torque Specs 2000 Gmc C5500** books that will come up with the money for you worth, acquire the definitely best seller from us currently from several preferred authors. If you want to hilarious books, lots of novels, tale, jokes, and more fictions collections are next launched, from best seller to one of the most current released.

You may not be perplexed to enjoy all book collections Hub Torque Specs 2000 Gmc C5500 that we will totally offer. It is not in the region of the costs. Its approximately what you craving currently. This Hub Torque Specs 2000 Gmc C5500, as one of the most lively sellers here will very be among the best options to review.

https://staging.conocer.cide.edu/book/uploaded-files/Download_PDFS/grandaddys%20highway.pdf

Table of Contents Hub Torque Specs 2000 Gmc C5500

1. Understanding the eBook Hub Torque Specs 2000 Gmc C5500
 - The Rise of Digital Reading Hub Torque Specs 2000 Gmc C5500
 - Advantages of eBooks Over Traditional Books
2. Identifying Hub Torque Specs 2000 Gmc C5500
 - Exploring Different Genres
 - Considering Fiction vs. Non-Fiction
 - Determining Your Reading Goals
3. Choosing the Right eBook Platform
 - Popular eBook Platforms
 - Features to Look for in an Hub Torque Specs 2000 Gmc C5500
 - User-Friendly Interface
4. Exploring eBook Recommendations from Hub Torque Specs 2000 Gmc C5500
 - Personalized Recommendations
 - Hub Torque Specs 2000 Gmc C5500 User Reviews and Ratings
 - Hub Torque Specs 2000 Gmc C5500 and Bestseller Lists
5. Accessing Hub Torque Specs 2000 Gmc C5500 Free and Paid eBooks

- Hub Torque Specs 2000 Gmc C5500 Public Domain eBooks
 - Hub Torque Specs 2000 Gmc C5500 eBook Subscription Services
 - Hub Torque Specs 2000 Gmc C5500 Budget-Friendly Options
6. Navigating Hub Torque Specs 2000 Gmc C5500 eBook Formats
 - ePub, PDF, MOBI, and More
 - Hub Torque Specs 2000 Gmc C5500 Compatibility with Devices
 - Hub Torque Specs 2000 Gmc C5500 Enhanced eBook Features
 7. Enhancing Your Reading Experience
 - Adjustable Fonts and Text Sizes of Hub Torque Specs 2000 Gmc C5500
 - Highlighting and Note-Taking Hub Torque Specs 2000 Gmc C5500
 - Interactive Elements Hub Torque Specs 2000 Gmc C5500
 8. Staying Engaged with Hub Torque Specs 2000 Gmc C5500
 - Joining Online Reading Communities
 - Participating in Virtual Book Clubs
 - Following Authors and Publishers Hub Torque Specs 2000 Gmc C5500
 9. Balancing eBooks and Physical Books Hub Torque Specs 2000 Gmc C5500
 - Benefits of a Digital Library
 - Creating a Diverse Reading Collection Hub Torque Specs 2000 Gmc C5500
 10. Overcoming Reading Challenges
 - Dealing with Digital Eye Strain
 - Minimizing Distractions
 - Managing Screen Time
 11. Cultivating a Reading Routine Hub Torque Specs 2000 Gmc C5500
 - Setting Reading Goals Hub Torque Specs 2000 Gmc C5500
 - Carving Out Dedicated Reading Time
 12. Sourcing Reliable Information of Hub Torque Specs 2000 Gmc C5500
 - Fact-Checking eBook Content of Hub Torque Specs 2000 Gmc C5500
 - Distinguishing Credible Sources
 13. Promoting Lifelong Learning
 - Utilizing eBooks for Skill Development

- Exploring Educational eBooks
- 14. Embracing eBook Trends
 - Integration of Multimedia Elements
 - Interactive and Gamified eBooks

Hub Torque Specs 2000 Gmc C5500 Introduction

In this digital age, the convenience of accessing information at our fingertips has become a necessity. Whether its research papers, eBooks, or user manuals, PDF files have become the preferred format for sharing and reading documents. However, the cost associated with purchasing PDF files can sometimes be a barrier for many individuals and organizations. Thankfully, there are numerous websites and platforms that allow users to download free PDF files legally. In this article, we will explore some of the best platforms to download free PDFs. One of the most popular platforms to download free PDF files is Project Gutenberg. This online library offers over 60,000 free eBooks that are in the public domain. From classic literature to historical documents, Project Gutenberg provides a wide range of PDF files that can be downloaded and enjoyed on various devices. The website is user-friendly and allows users to search for specific titles or browse through different categories. Another reliable platform for downloading Hub Torque Specs 2000 Gmc C5500 free PDF files is Open Library. With its vast collection of over 1 million eBooks, Open Library has something for every reader. The website offers a seamless experience by providing options to borrow or download PDF files. Users simply need to create a free account to access this treasure trove of knowledge. Open Library also allows users to contribute by uploading and sharing their own PDF files, making it a collaborative platform for book enthusiasts. For those interested in academic resources, there are websites dedicated to providing free PDFs of research papers and scientific articles. One such website is Academia.edu, which allows researchers and scholars to share their work with a global audience. Users can download PDF files of research papers, theses, and dissertations covering a wide range of subjects. Academia.edu also provides a platform for discussions and networking within the academic community. When it comes to downloading Hub Torque Specs 2000 Gmc C5500 free PDF files of magazines, brochures, and catalogs, Issuu is a popular choice. This digital publishing platform hosts a vast collection of publications from around the world. Users can search for specific titles or explore various categories and genres. Issuu offers a seamless reading experience with its user-friendly interface and allows users to download PDF files for offline reading. Apart from dedicated platforms, search engines also play a crucial role in finding free PDF files. Google, for instance, has an advanced search feature that allows users to filter results by file type. By specifying the file type as "PDF," users can find websites that offer free PDF downloads on a specific topic. While downloading Hub Torque Specs 2000 Gmc C5500 free PDF files is convenient, its important to note that copyright laws must be respected. Always ensure that the PDF files you download are

legally available for free. Many authors and publishers voluntarily provide free PDF versions of their work, but its essential to be cautious and verify the authenticity of the source before downloading Hub Torque Specs 2000 Gmc C5500. In conclusion, the internet offers numerous platforms and websites that allow users to download free PDF files legally. Whether its classic literature, research papers, or magazines, there is something for everyone. The platforms mentioned in this article, such as Project Gutenberg, Open Library, Academia.edu, and Issuu, provide access to a vast collection of PDF files. However, users should always be cautious and verify the legality of the source before downloading Hub Torque Specs 2000 Gmc C5500 any PDF files. With these platforms, the world of PDF downloads is just a click away.

FAQs About Hub Torque Specs 2000 Gmc C5500 Books

1. Where can I buy Hub Torque Specs 2000 Gmc C5500 books? Bookstores: Physical bookstores like Barnes & Noble, Waterstones, and independent local stores. Online Retailers: Amazon, Book Depository, and various online bookstores offer a wide range of books in physical and digital formats.
2. What are the different book formats available? Hardcover: Sturdy and durable, usually more expensive. Paperback: Cheaper, lighter, and more portable than hardcovers. E-books: Digital books available for e-readers like Kindle or software like Apple Books, Kindle, and Google Play Books.
3. How do I choose a Hub Torque Specs 2000 Gmc C5500 book to read? Genres: Consider the genre you enjoy (fiction, non-fiction, mystery, sci-fi, etc.). Recommendations: Ask friends, join book clubs, or explore online reviews and recommendations. Author: If you like a particular author, you might enjoy more of their work.
4. How do I take care of Hub Torque Specs 2000 Gmc C5500 books? Storage: Keep them away from direct sunlight and in a dry environment. Handling: Avoid folding pages, use bookmarks, and handle them with clean hands. Cleaning: Gently dust the covers and pages occasionally.
5. Can I borrow books without buying them? Public Libraries: Local libraries offer a wide range of books for borrowing. Book Swaps: Community book exchanges or online platforms where people exchange books.
6. How can I track my reading progress or manage my book collection? Book Tracking Apps: Goodreads, LibraryThing, and Book Catalogue are popular apps for tracking your reading progress and managing book collections. Spreadsheets: You can create your own spreadsheet to track books read, ratings, and other details.
7. What are Hub Torque Specs 2000 Gmc C5500 audiobooks, and where can I find them? Audiobooks: Audio recordings of books, perfect for listening while commuting or multitasking. Platforms: Audible, LibriVox, and Google Play Books offer

- a wide selection of audiobooks.
8. How do I support authors or the book industry? Buy Books: Purchase books from authors or independent bookstores. Reviews: Leave reviews on platforms like Goodreads or Amazon. Promotion: Share your favorite books on social media or recommend them to friends.
 9. Are there book clubs or reading communities I can join? Local Clubs: Check for local book clubs in libraries or community centers. Online Communities: Platforms like Goodreads have virtual book clubs and discussion groups.
 10. Can I read Hub Torque Specs 2000 Gmc C5500 books for free? Public Domain Books: Many classic books are available for free as they're in the public domain. Free E-books: Some websites offer free e-books legally, like Project Gutenberg or Open Library.

Find Hub Torque Specs 2000 Gmc C5500 :

[granddaddys highway](#)

goza connigo

[government parliament a survey signed](#)

[grammar lady how to mind your grammar in print and in person](#)

[grammas pickle barrel by the lilac tree isbn1403321043](#)

[goya y burdeos 18241828](#)

goya en las colecciones madrilenas

governing global finance new challenges g7 and imf contributions

grandes antilles bermudees bahamas

grade g5 playing the recorder share the music

gradual wars

~~grady wholesale corporation practice set for use with intermediate accounting~~

government and nationalism in scotland an enquiry by members of the university of edinburgh;

[gran diccionario de los suenos](#)

grand bahama a rich and colourful history

Hub Torque Specs 2000 Gmc C5500 :

[running against the devil a plot to save america from trump - Jun 16 2022](#)

web aug 18 2020 new york times bestseller a savvy guidebook for beating trump s tricks traps and tweets from a founder of the lincoln project now updated with new

[running against the devil a plot to save america from trump](#) - May 16 2022

web running against the devil a plot to save america f in the valley of the devil everything trump touches dies how the right lost its mind the devil you know the

[running against the devil a plot to save america from](#) - Aug 31 2023

web feb 1 2020 a thirty year veteran of national political campaigns and one of the most famous ad makers in politics rick wilson brings his experience insight knowledge and

running against the devil a plot to save america from trump - Aug 19 2022

web jan 14 2020 new york times bestseller a savvy guidebook for beating trump s tricks traps and tweets from a founder of the lincoln project now updated with new

[running against the devil a plot to save america from trump](#) - Jul 18 2022

web running against the devil a plot to save america from trump and democrats from themselves audiobook written by rick wilson narrated by rick wilson get instant

running against the devil a plot to save america from - Nov 21 2022

web running against the devil a plot to save america from trump and democrats from themselves ebook written by rick wilson read this book using google play books

running against the devil a plot to save america from trump - Nov 09 2021

running against the devil a plot to save america from - Jul 30 2023

web rick wilson crown publishing group 2020 political science 352 pages the longtime republican strategist and 1 new york times bestselling author of everything trump

[running against the devil a plot to save america from trump](#) - Feb 10 2022

web box office 158 832 2 sympathy for the devil is a 2023 american psychological thriller film 3 directed by yuval adler and written by luke paradise it stars nicolas cage as

running against the devil a plot to save america f copy - Mar 14 2022

web discover and share books you love on goodreads

running against the devil a plot to save america from trump - May 28 2023

web rick wilson crown forum 28 336p isbn 978 0 593 13758 1 republican strategist wilson everything trump touches dies delivers a histrionic yet trenchant guide to

[running against the devil a plot to save america from](#) - Oct 01 2023

web aug 18 2020 new york times bestseller a savvy guidebook for beating trump s tricks traps and tweets from a founder of the lincoln project now updated with new

running against the devil a plot to save america from trump - Apr 14 2022

web may 8 2020 running against the devil a plot to save america from trump and democrats from themselves

running against the devil a plot to save america from - Jan 24 2023

web jan 14 2020 running against the devil a plot to save america from trump and democrats from themselves author s rick wilson release date january 14 2020

[running against the devil a plot to save america from trump](#) - Feb 22 2023

web jan 14 2020 new york times bestseller a savvy guidebook for beating trump s tricks traps and tweets from a founder of the lincoln project now updated with new

[running against the devil a plot to save america from trump](#) - Sep 19 2022

web new york times bestseller a savvy guidebook for beating trump s tricks traps and tweets from a founder of the lincoln project now updated with new material on the

running against the devil a plot to save america from trump - Oct 21 2022

web running against the devil a plot to save america from trump and democrats from themselves audible audiobook unabridged rick wilson author narrator random

sympathy for the devil 2023 film wikipedia - Dec 11 2021

[running against the devil a plot to save america from trump](#) - Jun 28 2023

web apr 14 2020 running against the devil a plot to save america from trump and democrats from themselves by rick wilson crown forum 2020 352 pp buy the book

running against the devil a plot to save america from - Dec 23 2022

web a sharply funny and brutally honest assessment of both trump s abysmal destructive record and of the pitfalls for democrats that lie ahead running against the devil lays

loading interface goodreads - Jan 12 2022

web running against the devil a plot to save america from trump and democrats from themselves wilson rick 9780593137581 books amazon ca

running against the devil a plot to save america from - Apr 26 2023

web running against the devil a plot to save america from trump and democrats from themselves ebook written by rick wilson

read this book using google play books

running against the devil a plot to save america from - Mar 26 2023

web running against the devil a plot to save america from trump and democrats from themselves unabridged rick wilson 4 4 48 ratings 14 99 publisher description

loading interface goodreads - Dec 27 2021

web discover and share books you love on goodreads

expanding tactics for listening third edition student s book - Jan 28 2022

web sep 6 2012 tactics for listening third edition is an activity rich listening course with proven success in building skills in listening and conversation now with tactics for testing it provides plenty of practice in testing and exam techniques the result is confident listeners and exam success

expanding tactics for listening 3rd google drive - Apr 11 2023

web tactics for listening expanding student book languagedownload ir pdf owner hidden feb 11 2018 62 6 mb tactics for listening expanding teacher s book languagedownload ir pdf owner hidden feb 11 2018 11 6 mb no files in this folder sign in to add files to this folder google apps

tactics for listening 3rd expanding teacher s book pdf scribd - May 12 2023

web tactics for listening 3rd expanding teacher s book free download as pdf file pdf or read online for free

expanding tactics for listening richards jack c 1943 free - Feb 09 2023

web expanding tactics for listening by richards jack c 1943 publication date 2011 topics english language sound recordings for foreign speakers listening problems exercises etc english language textbooks for foreign speakers english language self instruction english language listening publisher new york oxford university press

expanding tactics for listening 3rd edition - Jul 02 2022

web grammar expanding tactics for listening 3rd edition tactics for listening third edition is an activity rich listening course with proven success in building skills in listening and conversation now with tactics for testing it provides plenty of practice in testing and exam techniques the result is confident listeners and exam success

tactics for listening expanding 3rd edition ВКонтакте - Aug 03 2022

web apr 8 2019 tactics for listening third edition features jack richards practical english methodology and easy to teach format now updated for today s classroom and self assessment needs more listening 40 more listening activities than before all new conversation corner pages provide pronunciation and dictation activities for oral

tactics for listening third edition learning resources oxford - Dec 07 2022

web sep 12 2023 welcome to the tactics for listening third edition audio download center this premium content available to

you as a valued user allows you to access and download audio files for each listening 1 3 pronunciation and dictation activity in the student book it also features the entire audio program for tactics for testing choose

tactics for listening 3rd expanding teacher s book pdf pdf - Jun 13 2023

web tactics for listening 3rd expanding teacher s book pdf free download as pdf file pdf or read online for free

expanding tactics for listening third edition oxford university - Mar 10 2023

web students tactics for listening third edition expanding expanding student book stening third edition click on a unit to download and listen to select tracks you can also download all the available tracks from this level in one zip file unit 1 audio zip 4 79mb

tactics for listening 3rd expanding teacher s book pdf scribd - Jan 08 2023

web now with testing program resource cd rom expanding tactics for listening third edition teacher s book jack c richards with grant trew more listening more testing more effective

expanding tactics for listening richards jack c 1943 free - Nov 06 2022

web volumes 28 cm expanding tactics for listening is an advanced level in english language listening dedidated to foreign speakers of this language teacher s book test booklet are collective works by lisa a hutchins deborah gordon andrew harper andy london and jack c richards

expanding tactics for listening 3rd edition - Sep 04 2022

web expanding tactics for listening 3rd edition expanding tactics for listening third edition a 100 a expanding tactics for listening 3rd edition unit 1 small talk unit 2 plans unit 3 successful businesses unit 4 apologies and excuses units 1 4 testing focus picture based questions

expanding tactics for listening teacher s book with audio cd - Apr 30 2022

web nov 13 2003 tactics for listening is a comprehensive three level listening series that features high interest topics to engage and motivate students the teacher s book with audio cd includes guidelines for each activity the midterm and final tests with cd vocabulary lists and tapescripts for the audio program and photocopiable worksheets

expanding tactics for listening lingq language library - Jun 01 2022

web tactics for listening third edition is an activity rich listening course with proven success in building skills in listening and conversation now with tactics for testing it provides plenty of practice in testing and exam techniques the result is confident listeners

tactics for listening teacher s site teaching resources - Jul 14 2023

web welcome to the tactics for listening teacher s site here you will find resources to help you use tactics for listening in the classroom resources teacher s books basic tactics for listening 3e teacher s book pdf 2 mb developing tactics for listening 3e

teacher s book pdf 2 mb

tactics for listening third edition expanding student book - Mar 30 2022

web nov 14 2011 amazon tactics for listening third edition expanding student book amazon
jack c richards with grant trewh

tactics for listening expanding skills oxford university press - Aug 15 2023

web tactics for listening third edition is an activity rich listening course with proven success in building skills in listening and conversation now with tactics for testing it provides plenty of practice in testing and exam techniques

developing tactics for listening 3 edition teacher book - Feb 26 2022

web jun 23 2014 tactics for listening third edition is a three level listening series featuring jack richards practical english methodology and easy to teach format teacher s book includes lesson plans answer keys optional activities vocabulary lists audio scripts vocabulary worksheets

tactics for listening expanding teacher s resource pack - Oct 05 2022

web apr 28 2011 tactics for listening third edition is an activity rich listening course with proven success in building skills in listening and conversation now with tactics for testing it provides plenty of practice in testing and exam techniques the result is confident listeners and exam success

five mother sauces of classical cuisine the spruce eats - Feb 14 2022

web aug 21 2023 but it s also the base for some of the most common white sauces cream sauces and cheese based sauces here are some of the small sauces made from béchamel cream sauce mornay sauce soubise sauce nantua sauce cheddar cheese sauce mustard cheese sauce cheesy sauce

sauce recipes 50 tasty choices mama s legacy series band 7 - Sep 23 2022

web sauce recipes 50 tasty choices mama s legacy series book 20 easy vegan pasta recipes delish knowledge mama s italian restaurant englewood menu prices red chile sauce chile colorado recipe epicurious world s

sauce recipes 50 tasty choices 7 mama s legacy series - Mar 30 2023

web buy sauce recipes 50 tasty choices 7 mama s legacy series 3 by wilson nancy n isbn 9781482530735 from amazon s book store everyday low prices and free delivery on eligible orders

sauce recipes 50 tasty choices mama s legacy series - Jan 28 2023

web sell buy or rent sauce recipes 50 tasty choices mama s legacy series 9781482530735 1482530732 we buy used or new for best buyback price with free shipping and offer great deals for buyers sell sauce recipes 50 tasty choices mama s legacy series 1482530732 at booksrun

sauce recipes 50 tasty choices mama s legacy series - May 20 2022

web welcome to open library sauce recipes 50 tasty choices mama s legacy series volume 7 nancy n wilson

sauce recipes 50 tasty choices mama s legacy 7 slideshare - Oct 25 2022

web be the first to like this show more 12 views 12 views

sauce recipes 50 tasty choices mama s legacy series - Nov 25 2022

web sauce recipes 50 tasty choices mama s legacy series volume 7 by arnold 8 44 pm choices legacy mama s recipe hollandaise sauce recipes

amazon com customer reviews sauce recipes 50 tasty choices mama - Feb 26 2023

web find helpful customer reviews and review ratings for sauce recipes 50 tasty choices mama s legacy series at amazon com read honest and unbiased product reviews from our users

sauce recipes 50 tasty choices by nancy n wilson alibris - Dec 27 2022

web add to cart add this copy of sauce recipes 50 tasty choices mama s legacy series to cart 37 02 good condition sold by tustin rated 4 0 out of 5 stars ships from newport coast ca united states published 2013 by createspace independent publis

sauce recipes 50 tasty choices mama s legacy series book 7 - Sep 04 2023

web jul 17 2012 sauce recipes 50 tasty choices mama s legacy series just like my own grandma made including using evaporated milk not suggested but can be made from frying bacon to add a touch to biscuits and bacon

27 best sauce recipes food network - Jul 22 2022

web apr 15 2022 from salty condiments to sweet sundae toppings you ll savor every spoonful of these delicious sauces making them from scratch is a breeze you just need these recipes from food network

7 mother sauces you need to master right now taste of home - Apr 18 2022

web may 31 2018 one of the first lessons in culinary school is about the importance of the five mother sauces originated by chef marie antoine carême these sauces are not only the building blocks of classic french cuisine but they ll give you the foundations to becoming an incredible cook too

sauce recipes 50 tasty choices mama s legacy seri pdf - Aug 23 2022

web sauce recipes 50 tasty choices mama s legacy seri pdf upload herison n williamson 3 21 downloaded from live hubitat com on october 22 2023 by herison n williamson follow the author page 102 cooking class deanna f cook 2015 03 18 the kids are taking over the kitchen deanna f cook presents more than 50 recipes designed for the cooking

sauce recipes 50 tasty choices mama s legacy series book - Jun 01 2023

web sauce recipes 50 tasty choices mama s legacy series book 7 ebook wilson nancy n amazon com au kindle store

sauce recipes 50 tasty choices mama s legacy series - Aug 03 2023

web feb 11 2013 sauce recipes 50 tasty choices mama s legacy series wilson nancy n on amazon com free shipping on

qualifying offers sauce recipes 50 tasty choices mama s legacy series

sauce recipes 50 tasty choices 7 amazon singapore - Apr 30 2023

web hello sign in account lists returns orders cart

sauce recipes 50 tasty choices healthy living - Oct 05 2023

web this is a special collection of recipes to accompany the other six volumes in the series they are grouped in categories for easy reference sauces for grilling and roasting meat sweet dessert sauces essential classic sauces specialty sauces that do not fit into the other categories sauces for meats and vegetables

sauce recipes 50 tasty choices mama s legacy series band 7 - Jul 02 2023

web sauce recipes 50 tasty choices mama s legacy series band 7 by nancy n wilson mama s legacy series book come get your fudge 40 tasty and creative fudge recipes 15 recipes to make before you die myrecipes how i make some of my most viral tasty

13 best sauce recipes 13 top sauce recipes ndtv food - Jun 20 2022

web jul 26 2022 sauce recipes find here list of 13 best sauce recipes vegetarian non vegetarian like white sauce bolognese sauce tahini sauce tomato and basil sauce many more with key ingredients and how to make process sauce recipes you can try at home to accompany innumerable dishes

12 classic sauces and how to make them fine dining lovers - Mar 18 2022

web sep 27 2016 emulsified sauce hollandaise is one of the legendary chef auguste escoffier s five mother sauce recipes in his great cookbook which is the bible of classic french cookery 3 parsley sauce a simple and flavourful sauce 4 tomato 5 bearnaise 6 bread sauce 7 chimichurri sauce 8 bbq 9 horseradish horseradish 10 espagnole