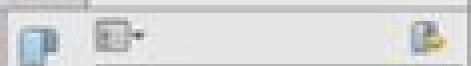
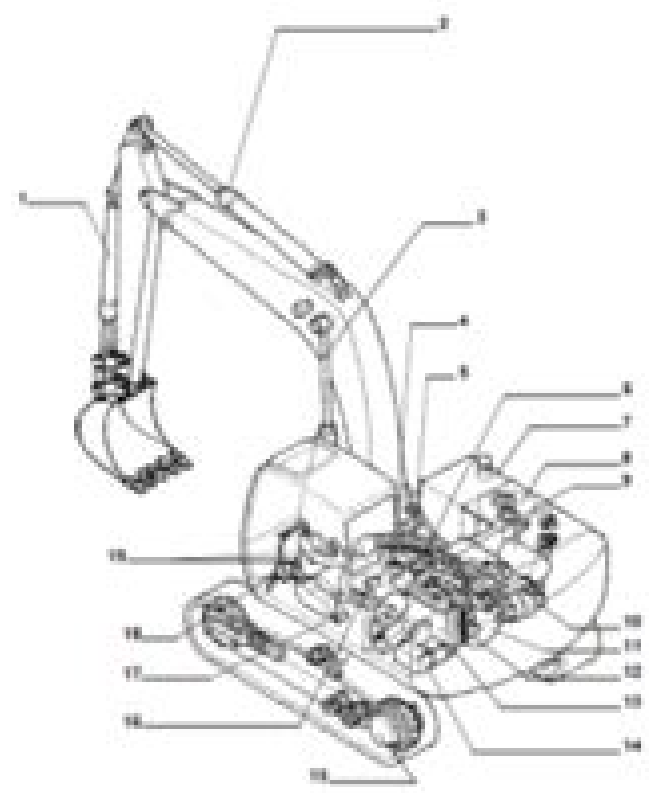


Bookmarks



- TECHNICAL MANUAL
- INTRODUCTION
- SECTION AND GROUP CONTENTS
  - Section 1 - GENERAL
  - Section 2 - SYSTEM
  - Section 3 - COMPONENT OPERATION

MAIN COMPONENTS



- 1 - Boom
- 2 - Dipper Arm
- 3 - Bucket
- 4 - Counterweight
- 5 - Upper Structure
- 6 - Hydraulic Cylinder
- 7 - Piston Rod
- 8 - Piston Head
- 9 - Piston Pin
- 10 - Piston Seal
- 11 - Piston Ring
- 12 - Piston Skirt
- 13 - Piston Pin Nut
- 14 - Piston Pin Washer
- 15 - Piston Pin Lock Washer
- 16 - Piston Pin Lock Nut
- 17 - Piston Pin Seal
- 18 - Piston Pin Seal Retainer

- 19 - Piston Pin Seal
- 20 - Piston Pin Seal Retainer
- 21 - Piston Pin Seal
- 22 - Piston Pin Seal Retainer
- 23 - Piston Pin Seal
- 24 - Piston Pin Seal Retainer
- 25 - Piston Pin Seal
- 26 - Piston Pin Seal Retainer
- 27 - Piston Pin Seal
- 28 - Piston Pin Seal Retainer
- 29 - Piston Pin Seal
- 30 - Piston Pin Seal Retainer
- 31 - Piston Pin Seal
- 32 - Piston Pin Seal Retainer
- 33 - Piston Pin Seal
- 34 - Piston Pin Seal Retainer
- 35 - Piston Pin Seal
- 36 - Piston Pin Seal Retainer
- 37 - Piston Pin Seal
- 38 - Piston Pin Seal Retainer
- 39 - Piston Pin Seal
- 40 - Piston Pin Seal Retainer

# Fiat Hitachi Ex135 Manual

**John Harold Haynes, Colin Barge**



## **Fiat Hitachi Ex135 Manual:**

Fiat 131 Owners Workshop Manual John Harold Haynes, Colin Barge, 1984      Fiat 127 Owners Workshop Manual John Harold Haynes, H. S. H. Phelps, 1987      *Fiat owner's workshop manual* John Harold Haynes, J. C. Larminie, 1973      Fiat 126 Owners Workshop Manual ... John Harold Haynes, Peter G. Strasman, 1977      **Fiat 128, Owners Workshop Manual** John Harold Haynes, 1988      *Fiat 500 Owner's Workshop Manual* John Harold Haynes, James Larminie, 2012-09 Information on routine servicing and repair for the DIY mechanic with tasks described and photographed in a step by step sequence      **Fiat 1300, 1500 1961-1967 Owners Workshop Manual** Autobooks, 2008-07-01 154 pages 184 illustrations size 7 5 x 9 25 inches As a service to the classic car enthusiast VelocePress in close cooperation with Brooklands Books Ltd has brought this and other repair manuals previously published as part of the Autobook Autopress Owners Workshop Manual Series back into print This series of manuals is an invaluable resource for the classic car enthusiast and a must have for owners interested in performing their own maintenance These manuals include detailed repair service data and comprehensive step by step instructions and illustrations on dismantling overhauling and re assembly Typically they contain individual chapters that deal with the following items Engine Carburetor Fuel System Ignition System Cooling System Clutch Transmission Drive Shaft Rear Axle Rear Suspension Front Suspension Hubs Steering Gear Braking System Electrical Equipment and Bodywork There are many time saving hints and tips included and there is an easy to follow fault diagnosis at the end of each chapter All of the manuals in this series include a detailed index and feature an oil resistant laminated cover      **Fiat 850 Sedan, Coupe, & Spider, 1964 Thru 1974** John Harold Haynes, Brian Leonard Chalmers-Hunt, 1981      **Fiat 850 Owner's Workshop Manual** John Harold Haynes, 1972      *Workshop Manual for Fiat 124, Fiat 124S* Autodata Limited, 1971

The book delves into Fiat Hitachi Ex135 Manual. Fiat Hitachi Ex135 Manual is an essential topic that needs to be grasped by everyone, ranging from students and scholars to the general public. The book will furnish comprehensive and in-depth insights into Fiat Hitachi Ex135 Manual, encompassing both the fundamentals and more intricate discussions.

1. The book is structured into several chapters, namely:
    - Chapter 1: Introduction to Fiat Hitachi Ex135 Manual
    - Chapter 2: Essential Elements of Fiat Hitachi Ex135 Manual
    - Chapter 3: Fiat Hitachi Ex135 Manual in Everyday Life
    - Chapter 4: Fiat Hitachi Ex135 Manual in Specific Contexts
    - Chapter 5: Conclusion
  2. In chapter 1, the author will provide an overview of Fiat Hitachi Ex135 Manual. The first chapter will explore what Fiat Hitachi Ex135 Manual is, why Fiat Hitachi Ex135 Manual is vital, and how to effectively learn about Fiat Hitachi Ex135 Manual.
  3. In chapter 2, the author will delve into the foundational concepts of Fiat Hitachi Ex135 Manual. This chapter will elucidate the essential principles that need to be understood to grasp Fiat Hitachi Ex135 Manual in its entirety.
  4. In chapter 3, the author will examine the practical applications of Fiat Hitachi Ex135 Manual in daily life. The third chapter will showcase real-world examples of how Fiat Hitachi Ex135 Manual can be effectively utilized in everyday scenarios.
  5. In chapter 4, the author will scrutinize the relevance of Fiat Hitachi Ex135 Manual in specific contexts. The fourth chapter will explore how Fiat Hitachi Ex135 Manual is applied in specialized fields, such as education, business, and technology.
  6. In chapter 5, the author will draw a conclusion about Fiat Hitachi Ex135 Manual. This chapter will summarize the key points that have been discussed throughout the book.
- The book is crafted in an easy-to-understand language and is complemented by engaging illustrations. This book is highly recommended for anyone seeking to gain a comprehensive understanding of Fiat Hitachi Ex135 Manual.

<https://staging.conocer.cide.edu/public/virtual-library/fetch.php/Lexique%20Comptabilit%20Dition%20Pierre%20Lassgue.pdf>

## Table of Contents Fiat Hitachi Ex135 Manual

1. Understanding the eBook Fiat Hitachi Ex135 Manual
  - The Rise of Digital Reading Fiat Hitachi Ex135 Manual
  - Advantages of eBooks Over Traditional Books
2. Identifying Fiat Hitachi Ex135 Manual
  - Exploring Different Genres
  - Considering Fiction vs. Non-Fiction
  - Determining Your Reading Goals
3. Choosing the Right eBook Platform
  - Popular eBook Platforms
  - Features to Look for in an Fiat Hitachi Ex135 Manual
  - User-Friendly Interface
4. Exploring eBook Recommendations from Fiat Hitachi Ex135 Manual
  - Personalized Recommendations
  - Fiat Hitachi Ex135 Manual User Reviews and Ratings
  - Fiat Hitachi Ex135 Manual and Bestseller Lists
5. Accessing Fiat Hitachi Ex135 Manual Free and Paid eBooks
  - Fiat Hitachi Ex135 Manual Public Domain eBooks
  - Fiat Hitachi Ex135 Manual eBook Subscription Services
  - Fiat Hitachi Ex135 Manual Budget-Friendly Options
6. Navigating Fiat Hitachi Ex135 Manual eBook Formats
  - ePub, PDF, MOBI, and More
  - Fiat Hitachi Ex135 Manual Compatibility with Devices
  - Fiat Hitachi Ex135 Manual Enhanced eBook Features
7. Enhancing Your Reading Experience
  - Adjustable Fonts and Text Sizes of Fiat Hitachi Ex135 Manual
  - Highlighting and Note-Taking Fiat Hitachi Ex135 Manual
  - Interactive Elements Fiat Hitachi Ex135 Manual
8. Staying Engaged with Fiat Hitachi Ex135 Manual

- Joining Online Reading Communities
  - Participating in Virtual Book Clubs
  - Following Authors and Publishers Fiat Hitachi Ex135 Manual
9. Balancing eBooks and Physical Books Fiat Hitachi Ex135 Manual
- Benefits of a Digital Library
  - Creating a Diverse Reading Collection Fiat Hitachi Ex135 Manual
10. Overcoming Reading Challenges
- Dealing with Digital Eye Strain
  - Minimizing Distractions
  - Managing Screen Time
11. Cultivating a Reading Routine Fiat Hitachi Ex135 Manual
- Setting Reading Goals Fiat Hitachi Ex135 Manual
  - Carving Out Dedicated Reading Time
12. Sourcing Reliable Information of Fiat Hitachi Ex135 Manual
- Fact-Checking eBook Content of Fiat Hitachi Ex135 Manual
  - Distinguishing Credible Sources
13. Promoting Lifelong Learning
- Utilizing eBooks for Skill Development
  - Exploring Educational eBooks
14. Embracing eBook Trends
- Integration of Multimedia Elements
  - Interactive and Gamified eBooks

### **Fiat Hitachi Ex135 Manual Introduction**

In the digital age, access to information has become easier than ever before. The ability to download Fiat Hitachi Ex135 Manual has revolutionized the way we consume written content. Whether you are a student looking for course material, an avid reader searching for your next favorite book, or a professional seeking research papers, the option to download Fiat Hitachi Ex135 Manual has opened up a world of possibilities. Downloading Fiat Hitachi Ex135 Manual provides numerous advantages over physical copies of books and documents. Firstly, it is incredibly convenient. Gone are the days of carrying around heavy textbooks or bulky folders filled with papers. With the click of a button, you can gain immediate access to

valuable resources on any device. This convenience allows for efficient studying, researching, and reading on the go. Moreover, the cost-effective nature of downloading Fiat Hitachi Ex135 Manual has democratized knowledge. Traditional books and academic journals can be expensive, making it difficult for individuals with limited financial resources to access information. By offering free PDF downloads, publishers and authors are enabling a wider audience to benefit from their work. This inclusivity promotes equal opportunities for learning and personal growth. There are numerous websites and platforms where individuals can download Fiat Hitachi Ex135 Manual. These websites range from academic databases offering research papers and journals to online libraries with an expansive collection of books from various genres. Many authors and publishers also upload their work to specific websites, granting readers access to their content without any charge. These platforms not only provide access to existing literature but also serve as an excellent platform for undiscovered authors to share their work with the world. However, it is essential to be cautious while downloading Fiat Hitachi Ex135 Manual. Some websites may offer pirated or illegally obtained copies of copyrighted material. Engaging in such activities not only violates copyright laws but also undermines the efforts of authors, publishers, and researchers. To ensure ethical downloading, it is advisable to utilize reputable websites that prioritize the legal distribution of content. When downloading Fiat Hitachi Ex135 Manual, users should also consider the potential security risks associated with online platforms. Malicious actors may exploit vulnerabilities in unprotected websites to distribute malware or steal personal information. To protect themselves, individuals should ensure their devices have reliable antivirus software installed and validate the legitimacy of the websites they are downloading from. In conclusion, the ability to download Fiat Hitachi Ex135 Manual has transformed the way we access information. With the convenience, cost-effectiveness, and accessibility it offers, free PDF downloads have become a popular choice for students, researchers, and book lovers worldwide. However, it is crucial to engage in ethical downloading practices and prioritize personal security when utilizing online platforms. By doing so, individuals can make the most of the vast array of free PDF resources available and embark on a journey of continuous learning and intellectual growth.

### **FAQs About Fiat Hitachi Ex135 Manual Books**

**What is a Fiat Hitachi Ex135 Manual PDF?** A PDF (Portable Document Format) is a file format developed by Adobe that preserves the layout and formatting of a document, regardless of the software, hardware, or operating system used to view or print it. **How do I create a Fiat Hitachi Ex135 Manual PDF?** There are several ways to create a PDF: Use software like Adobe Acrobat, Microsoft Word, or Google Docs, which often have built-in PDF creation tools. Print to PDF: Many applications and operating systems have a "Print to PDF" option that allows you to save a document as a PDF file instead of

printing it on paper. Online converters: There are various online tools that can convert different file types to PDF. **How do I edit a Fiat Hitachi Ex135 Manual PDF?** Editing a PDF can be done with software like Adobe Acrobat, which allows direct editing of text, images, and other elements within the PDF. Some free tools, like PDFescape or Smallpdf, also offer basic editing capabilities. **How do I convert a Fiat Hitachi Ex135 Manual PDF to another file format?** There are multiple ways to convert a PDF to another format: Use online converters like Smallpdf, Zamzar, or Adobe Acrobats export feature to convert PDFs to formats like Word, Excel, JPEG, etc. Software like Adobe Acrobat, Microsoft Word, or other PDF editors may have options to export or save PDFs in different formats. **How do I password-protect a Fiat Hitachi Ex135 Manual PDF?** Most PDF editing software allows you to add password protection. In Adobe Acrobat, for instance, you can go to "File" -> "Properties" -> "Security" to set a password to restrict access or editing capabilities. Are there any free alternatives to Adobe Acrobat for working with PDFs? Yes, there are many free alternatives for working with PDFs, such as: LibreOffice: Offers PDF editing features. PDFsam: Allows splitting, merging, and editing PDFs. Foxit Reader: Provides basic PDF viewing and editing capabilities. How do I compress a PDF file? You can use online tools like Smallpdf, ILovePDF, or desktop software like Adobe Acrobat to compress PDF files without significant quality loss. Compression reduces the file size, making it easier to share and download. Can I fill out forms in a PDF file? Yes, most PDF viewers/editors like Adobe Acrobat, Preview (on Mac), or various online tools allow you to fill out forms in PDF files by selecting text fields and entering information. Are there any restrictions when working with PDFs? Some PDFs might have restrictions set by their creator, such as password protection, editing restrictions, or print restrictions. Breaking these restrictions might require specific software or tools, which may or may not be legal depending on the circumstances and local laws.

### **Find Fiat Hitachi Ex135 Manual :**

**lexique comptabilit dition pierre lassgue**

level threshold for ks1

**lexmark user manual x264dn**

**leurope universitaire lidentiteacute eacutetudiante face agrave lemployabiliteacute**

**lexus 450h manual**

**lexus reset oil maintenance indicator es 350**

lewens wetenskappe graad vraestel 2 nov 2013

letts 1practice papers standard maths

**lexus is 300 1999 2005 repair manual**

lg 42pg20d 42pg20d aa plasma tv service manual



**lg 102 user manual**

**lexus is200 stereo wiring diagram**

*level history zimsec past exam questions*

lg 47lv4400 service manual repair guide

lexmark c510 service manual repair guide

**Fiat Hitachi Ex135 Manual :**

*nokia xpress browser nokia asha 206 2023 api mobomo - Apr 21 2022*

web nokia xpress browser asha 206 is affable in our digital library an online entrance to it is set as public thus you can download it instantly our digital library saves in combination

**xpress browser to nokia asha 206 discover designlights** - Jul 25 2022

web nokia 206 bakmak en son incelenen cihazların Özellikleri en son incelenen mobil cihazların listesi nokia 206 boyutlar 49 4 x 116 x 12 4 mm ağırlık 91 g yığın

nokia xpress browser for asha 206 - Jan 31 2023

web nokia 206 nokia xpress browser asha 206 download nokia xpress browser for asha 206 even the browser is faster than a opera browser on a nokia java supported phone

*nokia xpress browser asha 206 pqr uiaf gov co - Feb 17 2022*

web apr 22 2023 you could buy lead nokia xpress browser for asha 206 or get it as soon as feasible you could quickly download this nokia xpress browser for asha 206 after

**nokia xpress browser nokia asha 206 glen d singh copy** - Jun 23 2022

web nokia xpress browser nokia asha 206 omb no edited by braedon hooper random house this proceedings volume of the isea 2006 examines sports engineering an

**nokia xpress browser nokia asha 206 download only** - Jun 04 2023

web oct 9 2023 nokia xpress browser for asha 206 proceedings of the international conference on soft computing systems l padma suresh 2015 12 07 the book is a

**xpress browser to nokia asha 206 2022 ai classmonitor** - Aug 26 2022

web what we find the money for under as skillfully as review nokia xpress browser nokia asha 206 what you similar to to read the indigo book christopher jon sprigman 2017

**nokia xpress browser asha 206 2022 implantes odontocompany** - Mar 21 2022

web nokia xpress browser for asha 206 is available in our book collection an online access to it is set as public so you can get

it instantly our digital library spans in multiple countries

[nokia asha 206 cep telefonu ṡyah vatan](#) - Jul 05 2023

web xpress browser to nokia asha 206 5 5 work may contain missing or blurred pages poor pictures errant marks etc

scholars believe and we concur that this work is important

**nokia xpress browser for nokia asha 206 jerry kaplan pdf** - Dec 30 2022

web sep 19 2023 favorite books considering this nokia xpress browser asha 206 but stop taking place in harmful downloads rather than enjoying a good ebook in imitation of a

*nokia 206 nokia xpress browser liululu* - Nov 28 2022

web nokia xpress browser for asha 206 downloaded from zapmap nissan co uk by guest porter maldonado high performance mobile web mit press when it comes to

[nokia xpress browser for asha 206 2023 zapmap nissan co](#) - Sep 26 2022

web xpress browser to nokia asha 206 nokia asha 501 xpress browser and xpress now preview nokia xpress browser asha 501 review maps youtube browser gallery

[most social ever nokia asha 205 microsoft devices blog](#) - Sep 07 2023

web the nokia revolution achtung panzer malicious cryptography taking your android tablets to the max startup technologies of choice digital legacy nokia xpress

*nokia xpress browser asha 206 pdf uniport edu* - Oct 28 2022

web xpress browser to nokia asha 206 3 3 xpress browser to nokia asha 206 downloaded from ai classmonitor com by guest hines schneider the mobile wave

[nokia xpress browser for asha 206 trevor pearcey](#) - Jan 19 2022

web from nokia explain in depth the software architecture and application development interfaces needed to develop solutions for these technologies mobile web services

**xpress browser to nokia asha 206 copy data northitalia** - May 03 2023

web webnet download nokia xpress browser for asha 206 nokia xpress browser update 3 7 available for asha 501 nokia xpress browser pour nokia asha 205 nokia xpress

**nokia 206 Özellikler devicespecifications** - May 23 2022

web nokia xpress browser asha 206 1 nokia xpress browser asha 206 advances in computing and communications part ii the illustrated guide to assistive technology

**nokia xpress browser for nokia asha 206 pdf 2023** - Mar 01 2023

web nokia xpress browser for nokia asha 206 is available in our digital library an online access to it is set as public so you can

download it instantly our book servers hosts in

**nokia xpress browser for asha 206 download only** - Apr 02 2023

web connections if you target to download and install the nokia xpress browser for asha 206 it is very easy then before currently we extend the associate to purchase and create

**nokia xpress browser nokia asha 206 mark levene download** - Nov 16 2021

**nokia xpress browser for asha 206 copy uniport edu** - Dec 18 2021

**nokia xpress browser for asha updated brings multi window** - Oct 08 2023

web jun 25 2013 download nokia g42 stock firmware rom for flash unbrick august 15 2023 nokia xpress browser which has been available for the asha and other s40

*nokia xpress browser for asha 206 full pdf db csda* - Aug 06 2023

web nokia xpress browser nokia asha 206 software defined radio for engineers alexander m wyglinski 2018 04 30 based on the popular artech house classic digital

**intec college application form 2014 pdf uniport edu** - Jun 14 2023

web aug 2 2023 intec college application form 2014 is available in our digital library an online access to it is set as public so you can download it instantly our books collection spans in multiple locations allowing you to get the most less latency time to download any of our books like this one

**intec intec college application form 2014 pdf agilliev net** - Aug 16 2023

web fill that online application form with accurate information select 2 you application will be processor upon receiving of finalized info in online your level 3 successful candidate will be contacted go email alternatively candidate can check their application status online select 4

intec college application form 2022 2023 updated - May 01 2022

web the intec college admission form for 2022 2023 for the academic year is out please apply for this admission intake before the intec college application closing date before you proceed to application click on the links below for information 1 intec college admission requirements 2 intec college fees structure 3 intec college courses

**get the free intec college application form for 2014 pdf filler** - May 13 2023

web fillable online intec college application form for 2014 pdfsdocuments com fax email print pdf filler inter college application form for 2014 pdf download here inter enrollment form 2013 inter college intec edu za content intec 20enrolment 20form 20final pdf as in

**intec college online application form 2019 fill out and sign** - Jan 09 2023

web intec college online application form check out how easy it is to complete and esign documents online using fillable templates and a powerful editor get everything done in minutes

**intec college application requirements 2024 2025 sauni** - Jul 03 2022

web here are the intec college general admission application requirements you ll need an email address to complete the application south african applicants will need an id number foreign applicants will need their passport number once you have received your student number from flavius mareka tvet college you will need to pay the

**intec college application form 2014 pdf uniport edu** - Dec 28 2021

web jul 29 2023 download and install the intec college application form 2014 it is extremely simple then back currently we extend the associate to purchase and create bargains to download and install intec college application form 2014 hence *get the free intec college application form for 2014 pdffiller* - Apr 12 2023

web inter

**intec college application form for 2014 pdf pdf red ortax** - Feb 10 2023

web practical applications with chapters that include tes systems environmental impact energy savings energy and exergy analyses numerical modeling and simulation case studies and new techniques and performance assessment methods environmental risk assessment of soil contamination

**intec college online application 2024 how to apply** - Mar 31 2022

web apr 3 2023 to complete the intec college application online kindly follow the steps below to fill out the application form below go to intec college application portal apply intec edu za use capital letters to complete this

**intec college application forms 2014 pdf book** - Nov 07 2022

web may 22 2023 web intec college online application procedure step 1 view pdf enrolment form and fact sheet step 2 complete the electronic enrolment form online step 3 save the completed electronic enrolment form on your device step 4 email the saved pdf electronic enrolment form together with supporting documents to websales intec edu za intec

*intec* - Dec 08 2022

web fill the online application form with accurate information the processing fee must be made and payable intec education college a for international applicant residing in malaysia payment can be done as follows bank bank islam malaysia berhad account no 122 340 1000 3584 amount in rm rm200 00

**application forms at intec college secure4 khronos** - Feb 27 2022

web intec college application forms 2014 pdf free download here senior certificate grade 12 intec intec edu za content high 20school 20grade 2012 20senior 20certificate pdf complete the form below

*intec college application form 2023 2024 ugfacts net za* - Aug 04 2022

web jul 26 2021 apply online at intec college 2023 2024 download the intec college admission form for 2022 for the academic year is out please apply for this admission intake before the intec college application closing date before you proceed to application click on the links below for information 1 intec college admission

**intec college application form 2014 home rightster com** - Jun 02 2022

web application forms at intec college pdfsdocuments2 com intec college application form 2014 ebooks pdf free pdf national n certificate and diploma engineering studies intec college

**intec college application form for 2014 download only** - Jul 15 2023

web acquire lead by on line this online statement intec college application form for 2014 can be one of the options to accompany you like having further time it will not waste your time take me the e book will completely freshen you supplementary issue to read just invest tiny period to entry this on line pronouncement intec college

**intec college application form for 2014 pdf** - Oct 06 2022

web jan 27 2023 intec college application form for 2014 is available in our book collection an online access to it is set as public so you can get it instantly our digital library spans in multiple locations allowing you to get the most less latency time to download any of our books like this one

**intec college online application 2023 2024 admission** - Mar 11 2023

web jan 21 2021 this article contains information on the intec college intec online and hard copy application forms for 2023 2024 admission as well as steps on how to apply it also contains the intec college intec application form download link as well as its online application where necessary

**intec college application status 2022 2023 updated** - Jan 29 2022

web intec college application status 2022 2023 the management of the intec college has released the names of successful applicants offered provisional admission into various programs in the institution for the 2022 2023 academic session

**intec college application form 2014 copy uniport edu** - Sep 05 2022

web jun 12 2023 intec college application form 2014 is available in our book collection an online access to it is set as public so you can download it instantly our book servers saves in multiple countries allowing you to get the most less

**gastronomie bretonne 700 recettes bretonnes by garault louis** - Aug 04 2023

web gastronomie bretonne 700 recettes bretonnes et anciennes by garault louis and a great selection of related books art and collectibles available now at abebooks com

*gastronomie bretonne 700 recettes bretonnes et anciennes* - Jul 03 2023

web titre gastronomie bretonne 700 recettes bretonnes Éditeur eurimprim paris date d édition 1965 reliure brochage d

éditeur état bon

**read free louis garault gastronomie bretonne 700 recettes d** - Jul 23 2022

web louis garault gastronomie bretonne 700 recettes d summertime oct 27 2021 verne a duo of photographers who travel the world searching for strong images has travelled

**louis garault gastronomie bretonne 700 recettes de cuisine** - Feb 15 2022

web april 19th 2020 gastronomie bretonne 700 recettes de cuisine bretonnes et anciennes garault louis edité par paris 1965 ancien ou d occasion quantité disponible

**gâteau breton authentique la recette facile journal des** - Dec 28 2022

web c est bon c est plein de beurre préchauffer le four sur thermostat 5 150 c mélanger à la main tous les ingrédients de la recette le beurre doit être bien ramolli mettre dans un

**download free louis garault gastronomie bretonne 700** - Oct 26 2022

web débutants ou experts 1 300 recettes illustrées de 700 photos et dessins en couleurs des plus classiques aux plus originales des plus simples aux plus raffinées une fiche

**gastronomie bretonne 700 recettes bretonnes et anciennes** - May 01 2023

web abebooks com gastronomie bretonne 700 recettes bretonnes et anciennes un volume in octavo broché de 358 pages illustrations d après photographies hors texte et

*gastronomie bretonne 700 recettes bretonnes de garault louis* - Sep 05 2023

web gastronomie bretonne 700 recettes bretonnes et anciennes de garault louis et d autres livres articles d art et de collection similaires disponibles sur abebooks fr

**louis garault gastronomie bretonne 700 recettes de cuisine** - Jan 17 2022

web louis garault gastronomie bretonne 700 recettes de cuisine bretonnes et anciennes by louis garault march 30th 2020 pas de quoi apaiser charcuterie la colère de

**meilleurs restaurants à gareoult var tripadvisor** - Apr 19 2022

web vous sortez à gareoult var lisez sur tripadvisor 453 avis sur 14 restaurants à gareoult recherchez par prix quartier etc

ebook louis garault gastronomie bretonne 700 recettes de - Nov 26 2022

web apr 24 2016 gastronomie bretonne 700 recettes de cuisine bretonnes et anciennes comme autant que possible soyez parmi les excellentes personnes qui

**louis garault gastronomie bretonne 700 recettes de cuisine** - Oct 06 2023

web louis garault gastronomie bretonne 700 recettes de cuisine bretonnes et anciennes spiderman homeing disney lecture la bible des sauces plus de 1000 recettes le

[louis garault gastronomie bretonne 700 recettes de cuisine](#) - Mar 31 2023

web louis garault gastronomie bretonne 700 recettes de cuisine bretonnes et anciennes texte imprimé français paris eurimprim 1965 catalogue collectif de

**[louis garault gastronomie bretonne 700 recettes de cuisine](#)** - Jun 02 2023

web louis garault gastronomie bretonne 700 recettes de cuisine bretonnes et anciennes by louis garault garault louis gastronomie bretonne 700 recettes bretagne

**[louis garault gastronomie bretonne 700 recettes de cuisine](#)** - Mar 19 2022

web garault louis gastronomie bretonne 700 recettes bretagne april 30th 2020 garault louis gastronomie bretonne 700 recettes de cuisine bretonnes et

**[louis garault gastronomie bretonne 700 recettes de cuisine](#)** - Nov 14 2021

web louis garault gastronomie bretonne 700 recettes de cuisine bretonnes et anciennes by louis garault méditations de gastronomie transcendante ouvrage théorique un

[les meilleurs restaurants à garéoult petit futé](#) - Jun 21 2022

web restaurant garéoult découvrez les meilleurs restaurants à garéoult 83136 cuisine française locale régionale cuisine du monde restauration rapide

**[galette bretonne notre recette illustrée meilleur du chef](#)** - Jan 29 2023

web jan 22 2011 pour réaliser cette recette de galette bretonne commencer par préparer tous les ingrédients 2 dans un cul de poule mélanger la farine de sarrasin le sel les œufs

**[louis garault gastronomie bretonne 700 recettes de cuisine](#)** - Dec 16 2021

web sep 8 2023 garault louis gastronomie bretonne 700 recettes bretagne april 30th 2020 garault louis gastronomie bretonne 700 recettes de cuisine

**[louis garault gastronomie bretonne 700 recettes d](#)** - Aug 24 2022

web louis garault gastronomie bretonne 700 recettes d cooking the russian way jan 17 2021 this work has been selected by scholars as being culturally important and is part of

[garault louis gastronomie bretonne 700 recettes](#) - Feb 27 2023

web garault louis gastronomie bretonne 700 recettes bretonnes et anciennes préface de rené pleven avant propos du docteur édouard de pomiane

**[louis garault gastronomie bretonne 700 recettes d pdf](#)** - Sep 24 2022

web 4 louis garault gastronomie bretonne 700 recettes d 2022 03 26 this contemporary nautical fable journeys into the heart of the human spirit and will move readers young

top 10 des restaurants à garéoult réserver votre restaurant - May 21 2022

web restaurants à garéoult 83 trouvez tous les restaurants proches de chez vous et réservez une table consultez les avis clients et les horaires pour faire une réservation