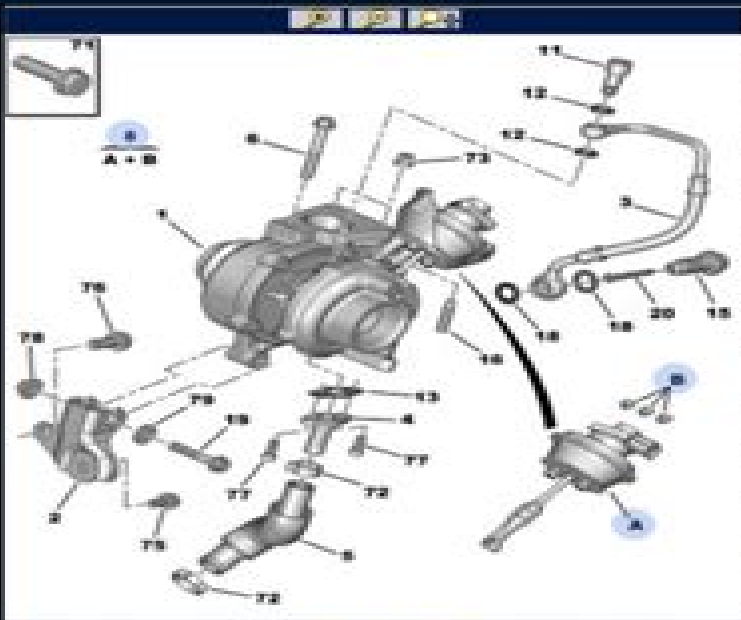
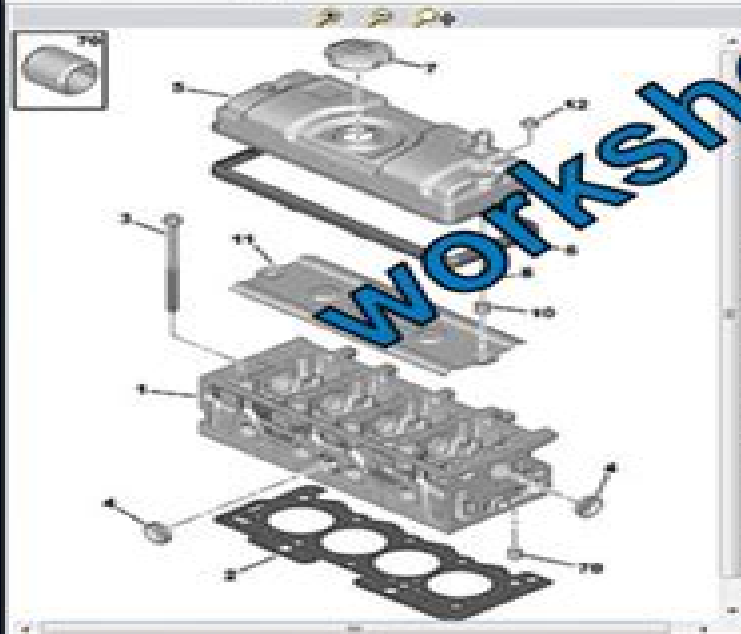


Fiat Ducato 2002-2017 Workshop Manual



TURBO CHARGER OIL RETURN HOSE

0379 44	01	TURBO LUBRICATION PIPE
0379 45	01	TURBO OIL RETURN PIPE
0381 26	01	OIL RETURN HOSE
0379 47	01	HEX HEAD CAPSCREW M6x20 55X125-03
0379 49	01	CONTROL CAPSULE TURBO KIT
0379 46	01	UNION SCREW 12X18 M10X100-27
0380 21	02	COPPER GASKET 12-18 EP 2.5
0380 33	01	OIL RETURN SEAL
1184 46	01	WASHER 12 LG 44.3-07.3
0379 41	01	TURBO SUPPORT STUD 12X125-25



CYLINDER HEAD - COVER

0099 AC	04	CYLINDER HEAD - INJECTION TUSA
0099 CJ	04	WASHER LARGE SAND SCREWED
0099 CC	04	CYL HEAD GASKET CN
0094 B3	10	DEFAS - INJECTION TUSA
0032 10	10	CYL HEAD BOLT D48 120750-175.8 - INJECTION TUSA
0245 F9	04	WELCH PLUG D48 36 - INJECTION TUSA
0245 F9	04	CYL HEAD COVER - INJECTION TUSA
0249 84	04	GASKET - ROCKER - INJECTION TUSA
0258 84	04	FILLER PLUG - INJECTION TUSA
0258 80	02	CYL HEAD STUD D120X100-23 - INJECTION TUSA
0258 43	02	SPACER - INJECTION TUSA
0254 26	04	DEFLECTOR - INJECTION TUSA
0258 42	02	CAP NUT M6X100

workshopmanuals.org

Fiat Ducato Maxi Engine Service Manual

S Ben Porath



Fiat Ducato Maxi Engine Service Manual:

This is likewise one of the factors by obtaining the soft documents of this **Fiat Ducato Maxi Engine Service Manual** by online. You might not require more mature to spend to go to the ebook initiation as capably as search for them. In some cases, you likewise attain not discover the pronouncement Fiat Ducato Maxi Engine Service Manual that you are looking for. It will definitely squander the time.

However below, behind you visit this web page, it will be consequently utterly easy to get as with ease as download lead Fiat Ducato Maxi Engine Service Manual

It will not understand many time as we tell before. You can get it even if con something else at house and even in your workplace. therefore easy! So, are you question? Just exercise just what we pay for below as competently as evaluation **Fiat Ducato Maxi Engine Service Manual** what you in the same way as to read!

<https://staging.conocer.cide.edu/About/book-search/default.aspx/Framework%20With%20Applications%20For%20The%20Ibm%20Pc.pdf>

Table of Contents Fiat Ducato Maxi Engine Service Manual

1. Understanding the eBook Fiat Ducato Maxi Engine Service Manual
 - The Rise of Digital Reading Fiat Ducato Maxi Engine Service Manual
 - Advantages of eBooks Over Traditional Books
2. Identifying Fiat Ducato Maxi Engine Service Manual
 - Exploring Different Genres
 - Considering Fiction vs. Non-Fiction
 - Determining Your Reading Goals
3. Choosing the Right eBook Platform
 - Popular eBook Platforms
 - Features to Look for in an Fiat Ducato Maxi Engine Service Manual
 - User-Friendly Interface

4. Exploring eBook Recommendations from Fiat Ducato Maxi Engine Service Manual
 - Personalized Recommendations
 - Fiat Ducato Maxi Engine Service Manual User Reviews and Ratings
 - Fiat Ducato Maxi Engine Service Manual and Bestseller Lists
5. Accessing Fiat Ducato Maxi Engine Service Manual Free and Paid eBooks
 - Fiat Ducato Maxi Engine Service Manual Public Domain eBooks
 - Fiat Ducato Maxi Engine Service Manual eBook Subscription Services
 - Fiat Ducato Maxi Engine Service Manual Budget-Friendly Options
6. Navigating Fiat Ducato Maxi Engine Service Manual eBook Formats
 - ePub, PDF, MOBI, and More
 - Fiat Ducato Maxi Engine Service Manual Compatibility with Devices
 - Fiat Ducato Maxi Engine Service Manual Enhanced eBook Features
7. Enhancing Your Reading Experience
 - Adjustable Fonts and Text Sizes of Fiat Ducato Maxi Engine Service Manual
 - Highlighting and Note-Taking Fiat Ducato Maxi Engine Service Manual
 - Interactive Elements Fiat Ducato Maxi Engine Service Manual
8. Staying Engaged with Fiat Ducato Maxi Engine Service Manual
 - Joining Online Reading Communities
 - Participating in Virtual Book Clubs
 - Following Authors and Publishers Fiat Ducato Maxi Engine Service Manual
9. Balancing eBooks and Physical Books Fiat Ducato Maxi Engine Service Manual
 - Benefits of a Digital Library
 - Creating a Diverse Reading Collection Fiat Ducato Maxi Engine Service Manual
10. Overcoming Reading Challenges
 - Dealing with Digital Eye Strain
 - Minimizing Distractions
 - Managing Screen Time
11. Cultivating a Reading Routine Fiat Ducato Maxi Engine Service Manual
 - Setting Reading Goals Fiat Ducato Maxi Engine Service Manual
 - Carving Out Dedicated Reading Time

12. Sourcing Reliable Information of Fiat Ducato Maxi Engine Service Manual
 - Fact-Checking eBook Content of Fiat Ducato Maxi Engine Service Manual
 - Distinguishing Credible Sources
13. Promoting Lifelong Learning
 - Utilizing eBooks for Skill Development
 - Exploring Educational eBooks
14. Embracing eBook Trends
 - Integration of Multimedia Elements
 - Interactive and Gamified eBooks

Fiat Ducato Maxi Engine Service Manual Introduction

Fiat Ducato Maxi Engine Service Manual Offers over 60,000 free eBooks, including many classics that are in the public domain. Open Library: Provides access to over 1 million free eBooks, including classic literature and contemporary works. Fiat Ducato Maxi Engine Service Manual Offers a vast collection of books, some of which are available for free as PDF downloads, particularly older books in the public domain. Fiat Ducato Maxi Engine Service Manual : This website hosts a vast collection of scientific articles, books, and textbooks. While it operates in a legal gray area due to copyright issues, its a popular resource for finding various publications. Internet Archive for Fiat Ducato Maxi Engine Service Manual : Has an extensive collection of digital content, including books, articles, videos, and more. It has a massive library of free downloadable books. Free-eBooks Fiat Ducato Maxi Engine Service Manual Offers a diverse range of free eBooks across various genres. Fiat Ducato Maxi Engine Service Manual Focuses mainly on educational books, textbooks, and business books. It offers free PDF downloads for educational purposes. Fiat Ducato Maxi Engine Service Manual Provides a large selection of free eBooks in different genres, which are available for download in various formats, including PDF. Finding specific Fiat Ducato Maxi Engine Service Manual, especially related to Fiat Ducato Maxi Engine Service Manual, might be challenging as theyre often artistic creations rather than practical blueprints. However, you can explore the following steps to search for or create your own Online Searches: Look for websites, forums, or blogs dedicated to Fiat Ducato Maxi Engine Service Manual, Sometimes enthusiasts share their designs or concepts in PDF format. Books and Magazines Some Fiat Ducato Maxi Engine Service Manual books or magazines might include. Look for these in online stores or libraries. Remember that while Fiat Ducato Maxi Engine Service Manual, sharing copyrighted material without permission is not legal. Always ensure youre either creating your own or obtaining them from legitimate sources that allow sharing and downloading. Library Check if your local library offers eBook lending services. Many libraries have digital catalogs where you can borrow

Fiat Ducato Maxi Engine Service Manual eBooks for free, including popular titles. Online Retailers: Websites like Amazon, Google Books, or Apple Books often sell eBooks. Sometimes, authors or publishers offer promotions or free periods for certain books. Authors Website Occasionally, authors provide excerpts or short stories for free on their websites. While this might not be the Fiat Ducato Maxi Engine Service Manual full book, it can give you a taste of the authors writing style. Subscription Services Platforms like Kindle Unlimited or Scribd offer subscription-based access to a wide range of Fiat Ducato Maxi Engine Service Manual eBooks, including some popular titles.

FAQs About Fiat Ducato Maxi Engine Service Manual Books

1. Where can I buy Fiat Ducato Maxi Engine Service Manual books? Bookstores: Physical bookstores like Barnes & Noble, Waterstones, and independent local stores. Online Retailers: Amazon, Book Depository, and various online bookstores offer a wide range of books in physical and digital formats.
2. What are the different book formats available? Hardcover: Sturdy and durable, usually more expensive. Paperback: Cheaper, lighter, and more portable than hardcovers. E-books: Digital books available for e-readers like Kindle or software like Apple Books, Kindle, and Google Play Books.
3. How do I choose a Fiat Ducato Maxi Engine Service Manual book to read? Genres: Consider the genre you enjoy (fiction, non-fiction, mystery, sci-fi, etc.). Recommendations: Ask friends, join book clubs, or explore online reviews and recommendations. Author: If you like a particular author, you might enjoy more of their work.
4. How do I take care of Fiat Ducato Maxi Engine Service Manual books? Storage: Keep them away from direct sunlight and in a dry environment. Handling: Avoid folding pages, use bookmarks, and handle them with clean hands. Cleaning: Gently dust the covers and pages occasionally.
5. Can I borrow books without buying them? Public Libraries: Local libraries offer a wide range of books for borrowing. Book Swaps: Community book exchanges or online platforms where people exchange books.
6. How can I track my reading progress or manage my book collection? Book Tracking Apps: Goodreads, LibraryThing, and Book Catalogue are popular apps for tracking your reading progress and managing book collections. Spreadsheets: You can create your own spreadsheet to track books read, ratings, and other details.
7. What are Fiat Ducato Maxi Engine Service Manual audiobooks, and where can I find them? Audiobooks: Audio recordings of books, perfect for listening while commuting or multitasking. Platforms: Audible, LibriVox, and Google Play Books offer a wide selection of audiobooks.

8. How do I support authors or the book industry? Buy Books: Purchase books from authors or independent bookstores. Reviews: Leave reviews on platforms like Goodreads or Amazon. Promotion: Share your favorite books on social media or recommend them to friends.
9. Are there book clubs or reading communities I can join? Local Clubs: Check for local book clubs in libraries or community centers. Online Communities: Platforms like Goodreads have virtual book clubs and discussion groups.
10. Can I read Fiat Ducato Maxi Engine Service Manual books for free? Public Domain Books: Many classic books are available for free as they're in the public domain. Free E-books: Some websites offer free e-books legally, like Project Gutenberg or Open Library.

Find Fiat Ducato Maxi Engine Service Manual :

framework with applications for the ibm pc

fourier series in control theory

france and the maghreb performative encounters

~~four dollars and fifty one cen harlequin desire no 613~~

frahlingbonate memoiren des marques de bradomin

~~fractions decimals percentages year 4~~

fourier transforms in spectroscopy

fragments from hellenistic jewish authors

fragrant rice my continuing love affair with bali

fourth grade brain teasers

four friends in autumn

four settings preces & resp 5pt mx cho cmsr 48

four generations population land famil

france and the dreyfus affair a documentary history

fourth sonata for violin and piano piano violin

Fiat Ducato Maxi Engine Service Manual :

Philosophy Here and Now: Powerful Ideas in Everyday Life ... The book emphasizes philosophical writing, reinforced with step by step coaching in how to write argumentative essays and supported by multiple opportunities to ... Philosophy Here

and Now - Lewis Vaughn Jun 1, 2021 — Powerful Ideas in Everyday Life. Fourth Edition. Lewis Vaughn. Publication Date - 01 June 2021. ISBN: 9780197543412. 528 pages. Paperback. Vaughn | Philosophy Here and Now, 4e The book emphasizes philosophical writing, featuring step-by-step coaching on argumentative essays and multiple opportunities to hone critical thinking skills. Anyone have a PDF for Philosophy Here and Now, 3rd ... Anyone have a PDF for Philosophy Here and Now, 3rd Edition; Lewis Vaughn · Make requests for textbooks and receive free pdf's · More posts you ... Philosophy Here and Now: Powerful Ideas in Everyday Life ... The book emphasizes philosophical writing, reinforced with step by step coaching in how to write argumentative essays and supported by multiple opportunities to ... Philosophy here and now : powerful ideas in everyday life "[This book] is a topically organized hybrid text/reader that helps students understand, appreciate, and even do philosophy. Philosophy Here and Now: Powerful Ideas in Everyday Life ... Philosophy Here and Now: Powerful Ideas in Everyday Life, Fourth Edition, is a topically organized hybrid text/reader that helps students understand, appreciate ... Philosophy Here and Now: Powerful Ideas... book by Lewis ... Philosophy Here and Now: Powerful Ideas in Everyday Life, Third Edition, is a topically organized hybrid text/reader that helps students understand, ... Philosophy Here and Now by: Lewis Vaughn The book emphasizes philosophical writing, reinforced with step by step coaching in how to write argumentative essays and supported by multiple opportunities to ... Philosophy Here and Now: Powerful Ideas in Everyday Life Jun 1, 2021 — The book emphasizes philosophical writing, reinforced with step by step coaching in how to write argumentative essays and supported by multiple ... NOTARY PUBLIC PRACTICE EXAM QUESTIONS NOTARY PUBLIC PRACTICE EXAM QUESTIONS. Studying these questions will prepare you to pass the California Notary Exam. Learn the answers to each question and ... Notary Practice Test 1 Flashcards Study with Quizlet and memorize flashcards containing terms like 1. Which of the following statements is not correct? A. The fee for a notary public ... Sample NY Notary Practice Exam The Notary Association has developed a data base of approximately 250 core key exam questions items that could be the topic of your 40 question, multiple choice ... State Exam Practice Tests Click on the Exam topic you wish to practice. Take any or all as many times as you wish. You will need to enter your name to begin the free exams. Tests for Our ... Sample Notary Test Questions - Notary Information & Blog Jul 27, 2023 — Sample Notary Exam Question #1 Notary Public who is not a licensed attorney holds office for: 3 Years; Life; 5 Years; Until a New Governor ... Sample Questions Refer to the referenced document below to answer some of the questions. I. STATE OF LOUISIANA. PARISH OF. II. BEFORE the undersigned Notary Public, duly ... Notary Bulletin: Quizzes | NNA There are many kinds of witnesses that participate in notarizations. Do you know what each type of witness does? Take our quiz and test your knowledge. Free NYS Notary Exam Practice: 2023 Prep Guide The NYS Notary Exam is a written test consisting of 40 multiple-choice questions. You will be allowed 1 hour to complete the exam. You need to score at least 70 ... California Notary Practice Exam 2023 California Notary Practice Exam 2023 · 1 / 5. Federal Civil Service employees may: · 2 / 5. All the following statements are true about the Notary seal except:.

Marketing Estrategico - 3b: Edicion (Spanish Edition) Marketing Estrategico - 3b: Edicion (Spanish Edition) ; US\$16.99 ; Seguridad del juguete. Nuestra edad recomendada: ; Idioma, Español ; ISBN-10, 8448116119 ; ISBN- ... Marketing estratégico y operativo (Spanish Edition) ... McGraw-Hill Interamericana Editores S.A. de C.V.; 2nd edición (11 Mayo 2009). Idioma, Español. Tapa blanda, 620 páginas. ISBN-10, 970106710X. ISBN-13, 978 ... Marketing Estrategico Lambin Mcgraw Hill 3ra Edicion Pdf Page 1. Marketing Estrategico Lambin Mcgraw Hill 3ra. Edicion Pdf. INTRODUCTION Marketing Estrategico Lambin Mcgraw Hill. 3ra Edicion Pdf [PDF] marketing estrategico. 3 edicion MARKETING ESTRATEGICO. 3 EDICION. LAMBIN, JEAN JACQUES. 45,95 €. IVA incluido. No disponible Pregúntanos antes de pagar. Editorial: MCGRAW-HILL; Materia ... Libro-Marketing-Estrategico-lambin-jean-jacques MARKETING ESTRATÉGICO -OBJETIVO.-un análisis sistemático y permanente de las necesidades del mercado y el desarrollo de conceptos de productos rentables ... Marketing Estrategico Lambin Mcgraw Hill 3ra Edicion Diagnóstico del marketing del producto Golf en la instalación ... - Gestiopolis. Planificación Estratégica de Marketing para un negocio - Gestiopolis. MARKETING ESTRATEGICO 3ª ED - JEAN JACQUES ... Jean Jacques Lambin. Editorial, McGraw-Hill Interamericana de España S.L.. Edición, 1. ed.(01/07/1995). Páginas, 608. Dimensiones, 24x17 cm. Idioma, Español. MARKETING ESTRATEGICO | JEAN JACQUES LAMBIN Sinopsis de MARKETING ESTRATEGICO ; Encuadernación: Tapa blanda ; ISBN: 9788473563529 ; Año de edición: 2003 ; Plaza de edición: ESPAÑA ; Fecha de lanzamiento: 07/10 ... Marketing estratégico Madrid: McGraw-Hill, 1995; Edición: 3a. ed. Notas: -- Edición traducida por Salvador Miquel y Antonio Carlos Cuenca. Revisado por Jaime Rivera y Nora Lado ...