

PARTS LIST

FG20K

AF17B-10001-up

AF17C-10001-up

FG25K

AF17B-10001-up

AF17C-10001-up

FG20K HO

AF17B-95001-up

AF17C-95001-up

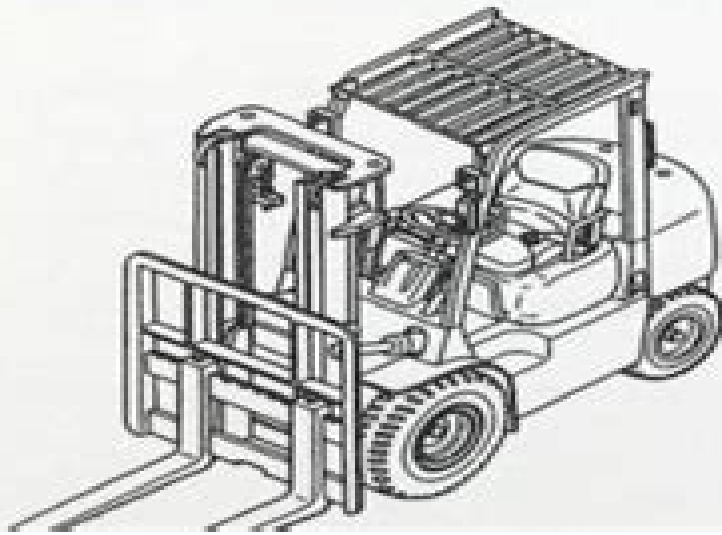
FG25K HO

AF17B-95001-up

AF17C-95001-up

NOTE

This list is to be used with the
4G63/ 4G64 Engine Parts List.



**CHASSIS
MAST
OPTIONS**

Fg25 Forklift Manual

RJ Shavelson



Fg25 Forklift Manual:

As recognized, adventure as skillfully as experience practically lesson, amusement, as skillfully as pact can be gotten by just checking out a book **Fg25 Forklift Manual** furthermore it is not directly done, you could take even more just about this life, nearly the world.

We come up with the money for you this proper as competently as simple showing off to acquire those all. We have the funds for Fg25 Forklift Manual and numerous book collections from fictions to scientific research in any way. in the middle of them is this Fg25 Forklift Manual that can be your partner.

https://staging.conocer.cide.edu/About/publication/HomePages/Las_Vegas_And_Beyond_The_Ultimate_Guidebook.pdf

Table of Contents Fg25 Forklift Manual

1. Understanding the eBook Fg25 Forklift Manual
 - The Rise of Digital Reading Fg25 Forklift Manual
 - Advantages of eBooks Over Traditional Books
2. Identifying Fg25 Forklift Manual
 - Exploring Different Genres
 - Considering Fiction vs. Non-Fiction
 - Determining Your Reading Goals
3. Choosing the Right eBook Platform
 - Popular eBook Platforms
 - Features to Look for in an Fg25 Forklift Manual
 - User-Friendly Interface
4. Exploring eBook Recommendations from Fg25 Forklift Manual
 - Personalized Recommendations
 - Fg25 Forklift Manual User Reviews and Ratings
 - Fg25 Forklift Manual and Bestseller Lists
5. Accessing Fg25 Forklift Manual Free and Paid eBooks

- Fg25 Forklift Manual Public Domain eBooks
 - Fg25 Forklift Manual eBook Subscription Services
 - Fg25 Forklift Manual Budget-Friendly Options
6. Navigating Fg25 Forklift Manual eBook Formats
 - ePub, PDF, MOBI, and More
 - Fg25 Forklift Manual Compatibility with Devices
 - Fg25 Forklift Manual Enhanced eBook Features
 7. Enhancing Your Reading Experience
 - Adjustable Fonts and Text Sizes of Fg25 Forklift Manual
 - Highlighting and Note-Taking Fg25 Forklift Manual
 - Interactive Elements Fg25 Forklift Manual
 8. Staying Engaged with Fg25 Forklift Manual
 - Joining Online Reading Communities
 - Participating in Virtual Book Clubs
 - Following Authors and Publishers Fg25 Forklift Manual
 9. Balancing eBooks and Physical Books Fg25 Forklift Manual
 - Benefits of a Digital Library
 - Creating a Diverse Reading Collection Fg25 Forklift Manual
 10. Overcoming Reading Challenges
 - Dealing with Digital Eye Strain
 - Minimizing Distractions
 - Managing Screen Time
 11. Cultivating a Reading Routine Fg25 Forklift Manual
 - Setting Reading Goals Fg25 Forklift Manual
 - Carving Out Dedicated Reading Time
 12. Sourcing Reliable Information of Fg25 Forklift Manual
 - Fact-Checking eBook Content of Fg25 Forklift Manual
 - Distinguishing Credible Sources
 13. Promoting Lifelong Learning
 - Utilizing eBooks for Skill Development

- Exploring Educational eBooks
14. Embracing eBook Trends
- Integration of Multimedia Elements
 - Interactive and Gamified eBooks

Fg25 Forklift Manual Introduction

In today's digital age, the availability of Fg25 Forklift Manual books and manuals for download has revolutionized the way we access information. Gone are the days of physically flipping through pages and carrying heavy textbooks or manuals. With just a few clicks, we can now access a wealth of knowledge from the comfort of our own homes or on the go. This article will explore the advantages of Fg25 Forklift Manual books and manuals for download, along with some popular platforms that offer these resources. One of the significant advantages of Fg25 Forklift Manual books and manuals for download is the cost-saving aspect. Traditional books and manuals can be costly, especially if you need to purchase several of them for educational or professional purposes. By accessing Fg25 Forklift Manual versions, you eliminate the need to spend money on physical copies. This not only saves you money but also reduces the environmental impact associated with book production and transportation. Furthermore, Fg25 Forklift Manual books and manuals for download are incredibly convenient. With just a computer or smartphone and an internet connection, you can access a vast library of resources on any subject imaginable. Whether you're a student looking for textbooks, a professional seeking industry-specific manuals, or someone interested in self-improvement, these digital resources provide an efficient and accessible means of acquiring knowledge. Moreover, PDF books and manuals offer a range of benefits compared to other digital formats. PDF files are designed to retain their formatting regardless of the device used to open them. This ensures that the content appears exactly as intended by the author, with no loss of formatting or missing graphics. Additionally, PDF files can be easily annotated, bookmarked, and searched for specific terms, making them highly practical for studying or referencing. When it comes to accessing Fg25 Forklift Manual books and manuals, several platforms offer an extensive collection of resources. One such platform is Project Gutenberg, a nonprofit organization that provides over 60,000 free eBooks. These books are primarily in the public domain, meaning they can be freely distributed and downloaded. Project Gutenberg offers a wide range of classic literature, making it an excellent resource for literature enthusiasts. Another popular platform for Fg25 Forklift Manual books and manuals is Open Library. Open Library is an initiative of the Internet Archive, a non-profit organization dedicated to digitizing cultural artifacts and making them accessible to the public. Open Library hosts millions of books, including both public domain works and contemporary titles. It also allows users to borrow digital copies of certain books for a limited period, similar to a library lending system. Additionally, many universities and educational institutions have their own digital libraries that provide free

access to PDF books and manuals. These libraries often offer academic texts, research papers, and technical manuals, making them invaluable resources for students and researchers. Some notable examples include MIT OpenCourseWare, which offers free access to course materials from the Massachusetts Institute of Technology, and the Digital Public Library of America, which provides a vast collection of digitized books and historical documents. In conclusion, Fg25 Forklift Manual books and manuals for download have transformed the way we access information. They provide a cost-effective and convenient means of acquiring knowledge, offering the ability to access a vast library of resources at our fingertips. With platforms like Project Gutenberg, Open Library, and various digital libraries offered by educational institutions, we have access to an ever-expanding collection of books and manuals. Whether for educational, professional, or personal purposes, these digital resources serve as valuable tools for continuous learning and self-improvement. So why not take advantage of the vast world of Fg25 Forklift Manual books and manuals for download and embark on your journey of knowledge?

FAQs About Fg25 Forklift Manual Books

How do I know which eBook platform is the best for me? Finding the best eBook platform depends on your reading preferences and device compatibility. Research different platforms, read user reviews, and explore their features before making a choice. Are free eBooks of good quality? Yes, many reputable platforms offer high-quality free eBooks, including classics and public domain works. However, make sure to verify the source to ensure the eBook credibility. Can I read eBooks without an eReader? Absolutely! Most eBook platforms offer web-based readers or mobile apps that allow you to read eBooks on your computer, tablet, or smartphone. How do I avoid digital eye strain while reading eBooks? To prevent digital eye strain, take regular breaks, adjust the font size and background color, and ensure proper lighting while reading eBooks. What the advantage of interactive eBooks? Interactive eBooks incorporate multimedia elements, quizzes, and activities, enhancing the reader engagement and providing a more immersive learning experience. Fg25 Forklift Manual is one of the best book in our library for free trial. We provide copy of Fg25 Forklift Manual in digital format, so the resources that you find are reliable. There are also many Ebooks of related with Fg25 Forklift Manual. Where to download Fg25 Forklift Manual online for free? Are you looking for Fg25 Forklift Manual PDF? This is definitely going to save you time and cash in something you should think about.

Find Fg25 Forklift Manual :

las vegas and beyond the ultimate guidebook

lart des origines au yemen

las mejozes recetas de la cocina cubana

lart du mouvement collection cina matographique du musa e national dart moderne 19191996

last tiffany a biography of dorothy tiffany burlingham

las mocedades de ortega y gabet

last road race the 1957 pescara grand prix

lasik tecnicas quirurgicas y complicac

last cavaliers the confederate and union cavalry in the civil war

lart de linde

laser medicine and cutaneous surgery

last place on earthleading men

las estaciones 123 seasons 123 heinemann lee y aprendeheinemann read and learn spanish

last hero a discworld fable

las semillas magicas los especiales de ciencia

Fg25 Forklift Manual :

der brockhaus wein internationale anbauggebiete rebsorten - Nov 05 2022

web der brockhaus wein ist ein fantastisches werk und eine schier unerschöpfliche wissensquelle zum thema wein exzellente beschreibungen informativ und detailliert

der brockhaus wein rebsorten degustation weinbau - Dec 26 2021

web apr 13 2023 4724485 der brockhaus wein rebsorten degustation weinbau 1 4 downloaded from id blockchain idea gov vn on by guest thank you unconditionally much

der brockhaus wein rebsorten degustation weinbau book - Jul 01 2022

web der brockhaus wein rebsorten degustation weinbau wein tasting buch may 28 2020 der unentbehrliche begleiter für alle wein rotwein weißwein und rosewein liebhaber

der brockhaus wein rebsorten degustation weinbau ebay - Aug 02 2022

web nov 17 2021 find many great new used options and get the best deals for der brockhaus wein rebsorten degustation weinbau kellertechnik at the best

der brockhaus wein rebsorten degustation weinbau - May 11 2023

web hardcover archiv verlag mannheim und leipzig 2005 gr 8 507 s mit text und abbildungen einband echtes leder

handarbeit mit metallbeschlägen sehr guter

der brockhaus wein rebsorten degustation weinbau - May 31 2022

web der brockhaus wein rebsorten degustation weinbau kellertechnik internationale anbauggebiete by helmut motekat john bourke weinanbauggebiet weinbauggebiete

der brockhaus wein rebsorten degustation weinbau - Aug 14 2023

web sep 18 2008 der brockhaus wein rebsorten degustation weinbau kellertechnik internationale anbauggebiete isbn 9783765302824 kostenloser versand für alle

der brockhaus wein rebsorten degustation weinbau pdf - Jan 27 2022

web aug 2 2023 der brockhaus wein rebsorten degustation weinbau pdf is available in our digital library an online permission to it is set as public suitably you can download it

brockhaus wein rebsorten degustation iberlibro - Oct 04 2022

web der brockhaus wein rebsorten degustation weinbau kellertechnik internationale anbauggebiete autoren christa hanten red hildegard hogen de christa hanten y

der brockhaus wein rebsorten degustation weinbau - Jun 12 2023

web 12 ausführliche sonderartikel zu übergreifenden themen 3700 stichwörter zu rebsorten weinbau kellertechnik internat herkunftsbezeichn und degustation 480

der brockhaus wein rebsorten degustation weinbau - Mar 09 2023

web der brockhaus wein rebsorten degustation weinbau kellertechnik internationale anbauggebiete by helmut motekat john bourke ean suchen barcode beginnt mit 9

der brockhaus wein rebsorten degustation weinbau - Jul 13 2023

web get this from a library der brockhaus wein rebsorten degustation weinbau kellertechnik internationale anbauggebiete f a brockhaus leipzig mannheim

der brockhaus wein buchbesprechung biotemen - Apr 10 2023

web der brockhaus wein rebsorten degustation weinbau kellertechnik internationale anbauggebiete brockhaus mannheim 2 überarbeitete auflage 2008 509 seiten

der brockhaus wein rebsorten degustation weinbau - Nov 24 2021

web criolla grande der brockhaus wein rebsorten degustation weinbau parellada de linkfang brockhaus wein zvab pdf chinesisch kochen leicht gemacht die besten rebsorten in

der brockhaus wein rebsorten degustation weinbau - Feb 25 2022

web der brockhaus wein rebsorten degustation weinbau kellertechnik internationale anbauggebiete von brockhausverlag

gebundene ausgabe bei medimops de bestellen

rezension der brockhaus wein rebsorten degustation - Jan 07 2023

web der brockhaus wein stellt im rahmen von 3800 stichwörtern rebsorten degustation weinbau kellertechnik und internationale anbauggebiete vor und zwar mit angaben zur

der brockhaus wein rebsorten degustation weinbau pdf - Mar 29 2022

web dec 15 2022 this der brockhaus wein rebsorten degustation weinbau as one of the most on the go sellers here will agreed be in the course of the best options to review

der brockhaus wein rebsorten degustation weinbau - Sep 03 2022

web der brockhaus wein rebsorten degustation weinbau kellertechnik internatio eur 41 60 zu verkaufen buch selbst in neuwertigen sammlerzustand

der brockhaus wein rebsorten degustation weinbau - Oct 24 2021

web jun 20 2023 der brockhaus wein rebsorten degustation weinbau kellertechnik internationale anbauggebiete by helmut motekat john bourke und damit sie den

der brockhaus wein wein de - Dec 06 2022

web oct 8 2015 dass der brockhaus nicht verstaubt ist zeigt die ständig aktualisierte liste auf der brockhaus website brockhaus de sachlexika wein die die wichtigsten

der brockhaus wein rebsorten degustation weinbau - Feb 08 2023

web der brockhaus wein rebsorten degustation weinbau kellertechnik internationale anbauggebiete finden sie alle bücher von lexikonredaktion mannheim bei der

der brockhaus wein rebsorten degustation weinbau - Apr 29 2022

web der brockhaus wein rebsorten degustation weinbau kellertechnik internationale anbauggebiete by helmut motekat john bourke criolla grande april 28th 2020 literatur

sample level 3 example questions hakiaccess com - Feb 27 2023

web rope manoeuvres 20 what should the overall minimum strength requirement of a rope access anchor system be when rigging a set of rope for descent icop part 2 2 11 2 6 2 11 2 9 2 11 2 10 climbing techniques rope rescues 21 detail five key safety factors when considering lead climbing as a method of access icop part 3 annex l 1 3

what is rope access flyability - Sep 24 2022

web the primary purpose of ropes access is to enable workers to access difficult to reach locations without scaffolding cradles or aerial platforms a rope access technician will use ropes to descend ascend or traverse ropes while held in place by a harness and sometimes a rope access work seat as well rope access first came into use for

rope access questions answers book - Aug 24 2022

web rope access questions answers 1 001 asvab practice questions for dummies access code card 1 year online subscription
aug 16 2021 your tactical guide to maximizing your asvab score want to score higher on the asvab purchasing this access
code card gives you a one year renewable online subscription to 1 001 asvab

vision rope access services interview questions ambitionbox - Feb 15 2022

web apr 18 2023 vision rope access services interview questions and answers interview rounds and process 2023 gd topics
test pattern shared by employees and candidates

faqs irata international - Jan 29 2023

web faqs find answers to the most frequently asked questions about all things technician related including who can sign your
irata logbook how to become an irata qualified instructor and how you can order replacement documentation training

sample level 3 theory questions sja it services - Jun 21 2022

web sample level 3 theory questions form 009r 01 06 1 of 1 association house 99 west street tel 44 0 1252 739150 fax 44 0
list four situations where the loading of the equipment or system used for rope access could exceed one person i e beyond
normal deployment 4 what is the swl of a sewn tape sling with a breaking load of 25kn

rope access level 1 flashcards quizlet - Oct 06 2023

web a component of the access work plan which identifies hazards the hazard mitigation methods and outlines requirements
to promptly rescue the rope access worker study with quizlet and memorize flashcards containing terms like access work
plan jha access zone anchor anchorage and more

rope access wikipedia - Oct 26 2022

web rope access or industrial climbing or commercial climbing is a form of work positioning initially developed from
techniques used in climbing and caving which applies practical ropework to allow workers to access difficult to reach
locations without the use of

rope access logbook questions and answers pacific ropes - Jun 02 2023

web what happens if i lose my logbook what if there is no l3 to sign my logbook click here to get the answers to all your
questions on rope access logbooks

sample level 3 theory questions rope access - Jul 03 2023

web 1 what are the five steps to risk assessment 2 if the first is to avoid the hazard summarise hierarchy of measures as
stated in the work at height regulations 2005 regulation 6 avoidance of risks from work at height 3 what information should
be available on site as recommended by the irata icop 4

step by step guide irata international - Mar 31 2023

web irata technicians are required to take re validation training and assessment every three years to ensure that they remain current and maintain safe working practices rope access technicians not engaged in rope access work for 180 days or
[17 rope access technician interview questions and answers](#) - Aug 04 2023

web jul 22 2022 interview 17 rope access technician interview questions and answers learn what skills and qualities interviewers are looking for from a rope access technician what questions you can expect and how you should go about answering them interview insights published jul 22 2022

[global rope access interview questions answers 2023](#) - May 21 2022

web global rope access interview questions and answers interview rounds and process 2023 gd topics test pattern shared by employees and candidates

irata theory questions l1 pacific ropes - May 01 2023

web 1 what does irata stand for a international rope access trade association b industrial rope access trade association c international rope access training association d industrial rope access training association 2

[50 rope access industry questions linkedin](#) - Dec 28 2022

web jun 29 2022 6 is a person on ground necessary this depends on the job and if you climb up or down 7 how long time does it take to be irata certified it takes around one week to be trained this includes

[rope access interview questions glassdoor](#) - Apr 19 2022

web oct 27 2021 3 rope access interview questions learn about interview questions and interview process for 3 companies

30 rope access technician interview questions and answers - Sep 05 2023

web sep 29 2023 30 rope access technician interview questions and answers 1 can you detail your experience with different rope access techniques as a rope access technician you ll be required 2 how do you ensure your safety and the safety of others while working at height safety is a top priority in any

what is rope access keltic falcon rope access experts - Jul 23 2022

web what is rope access rope access refers to a set of techniques where ropes and specialized hardware are used as the primary means of providing access and support to workers generally a two rope system is employed the working rope supports the worker and the safety rope provides back up fall protection why use rope access modern

rope access solutions interview questions answers hr - Mar 19 2022

web find best rope access solutions interview questions and answers for freshers and experienced these questions can surely help in preparing for rope access solutions interview or job this page contains the most recently asked technical questions and answers in the rope access solutions

take a free irata rope access level 1 exam practice test - Nov 26 2022

web jul 31 2023 for irata certification candidates must pass a written exam an oral exam and practical exams given by independent irata assessors or sprat evaluators here you can take free practice tests of the aws cwi cswip asnt ndt asme nace ampp and api exams with the latest questions and answers

pubertät echt ätzend herder spektrum by allan guggenbühl - Jun 14 2023

web may 24th 2020 fb9e77 pubertat echt atzend herder spektrum online reading at debattierclub bayreuth de author adobe reader at debattierclub bayreuth de by corvallis benton county public library subject download free pubertat echt atzend herder spektrum pubertat echt atzend herder spektrum is big ebook you need

pubertät wenn aus kindern erwachsene werden lifeline - May 01 2022

web jun 22 2022 wenn aus kindern teenager und schließlich erwachsene werden verändert sich nicht nur körperlich enorm viel sondern auch die gefühle stehen scheinbar plötzlich kopf was in der pubertät bei jungen und mädchen im körper passiert der begriff pubertät stammt aus dem lateinischen und bedeutet übersetzt geschlechtsreife

pubertat echt atzend herder spektrum pdf - Oct 06 2022

web pubertat echt atzend herder spektrum 3 3 and the east german secret police were always there in the background when judith begins to ask questions she becomes the target of some powerful enemies and nothing will ever be the same again god and the new atheism mennomedia inc a fascinating compendium of the metals

pubertät echt ätzend herder spektrum by allan guggenbühl - Apr 12 2023

web pubertat echt atzend herder spektrum pubertat heute ohne stress durch die wilden jahre kinderkind pubertat in sicht so begleiten sie ihr kind zwischen 9 und 13 pubertat kein

pubertät echt ätzend herder spektrum taschenbuch amazon de - Aug 16 2023

web pubertät echt ätzend herder spektrum guggenbühl allan isbn 9783451054822 kostenloser versand für alle bücher mit versand und verkauf duch amazon

pubertät echt ätzend herder spektrum by allan guggenbühl - May 13 2023

web click to read more about pubertät echt ätzend herder spektrum by allan guggenbühl librarything is a cataloging and social networking site for booklovers all about pubertät echt ätzend herder spektrum by allan guggenbühl

pubertat echt atzend herder spektrum sql1 viewer co uk - Jan 29 2022

web 2 pubertat echt atzend herder spektrum 2020 08 14 innovation and control and meaning and context he builds a theory that insists on the importance of creativity placing people as inventors at the heart of the process that creates culture in an elegant twist he also shows that this very process ultimately produces the discipline of anthropology

pubertat echt atzend herder spektrum pdf full pdf - Jul 03 2022

web pubertat echt atzend herder spektrum pdf introduction pubertat echt atzend herder spektrum pdf full pdf bears of the

world terry domico 1988 offers a comprehensive look at the ursine species detailing their history evolution social behavior and more in a text augmented by numerous photographs of bears in their natural habitats

pubertat echt atzend herder spektrum 2023 - Mar 11 2023

web pubertat echt atzend herder spektrum discurso lengua y metalenguaje aug 16 2020 richtig reden die kommunikation zwischen eltern und jugendlichen apr 04 2022 viele eltern kennen das problem nur allzu gut wie sich die eltern kind beziehung wandelt sobald ihr kind in die pubertät kommt plötzlich scheint nichts mehr so wie es war und *pubertät biologie seite de* - Dec 08 2022

web aug 30 2023 unter pubertät von lat pubertas geschlechtsreife versteht man etwa seit dem 16 jahrhundert den teil der adoleszenz in welchem der entwicklungsphysiologische verlauf der geschlechtsreifung als ziel die geschlechtsreife im sinne von fortpflanzungsfähigkeit erreicht und im weiteren verlauf auch zu einem

pubertat echt atzend herder spektrum pdf uniport edu - Sep 05 2022

web may 1 2023 pubertat echt atzend herder spektrum is available in our digital library an online access to it is set as public so you can get it instantly our digital library saves in multiple countries allowing you to get the most less latency time to download any of our books like this one kindly say the pubertat echt atzend herder spektrum is

pubertät echt ätzend herder spektrum by allan guggenbühl - Nov 07 2022

web jun 13 2023 fb9e77 pubertat echt atzend herder spektrum online reading at debattierclub bayreuth de author adobe reader at debattierclub bayreuth de by corvallis benton county public library subject download free pubertat echt atzend herder spektrum pubertat echt atzend herder spektrum is big ebook you need hitler s uranium club

pubertät echt ätzend herder spektrum von allan - Jul 15 2023

web pubertät echt ätzend herder spektrum von allan guggenbühl 12 mai 2004 taschenbuch isbn kostenloser versand für alle bücher mit versand und verkauf duch amazon

pubertat echt atzend herder spektrum openstackstats mirantis - Mar 31 2022

web latency times to download any of our books similar to this one merely said the pubertat echt atzend herder spektrum is universally compatible later than any devices to read pubertat echt atzend herder spektrum downloaded from openstackstats mirantis com by guest osborn ponce koshchei the deathless arcadia books the year is 1934

read free pubertat echt atzend herder spektrum pdf - Aug 04 2022

web pubertat echt atzend herder spektrum pdf is welcoming in our digital library an online right of entry to it is set as public consequently you can download it instantly

pubertat echt atzend herder spektrum copy rc spectrallabs - Feb 10 2023

web pubertat echt atzend herder spektrum downloaded from rc spectrallabs com by guest jordan colon the dakota winters

quarry books this volume draws together ethnographies of female initiation rites in melanesia which require anthropologists to rethink their analysis of initiations and their perceptions of gender the contributors argue that

pubertät echt ätzend herder spektrum by allan guggenbühl - Dec 28 2021

web fb9e77 pubertat echt atzend herder spektrum online reading 09c0 pubertat echt atzend herder spektrum online reading full text of panokratie internet archive 023af pubertat echt atzend herder spektrum free reading at digital resources find digital datasheets resources pubertät echt ätzend gelassen durch die schwierigen jahre 9b14e61

pubertat echt atzend herder spektrum copy old cosmc - Feb 27 2022

web 4 pubertat echt atzend herder spektrum 2021 11 24 free but if she fails she ll become a ward of the state and be sent back to the group home all she wants is to be left alone to spend time with her friend chance the one winged hawk at the zoo where she works she can bide her time with him until her emancipation humans are overrated

puberte nedir ergenlik dönemi puberte nasıl başlar ve hürriyet - Jan 09 2023

web jul 22 2021 ergenlik dönemi puberte nasıl başlar ve ne zaman sona erer ergenlik dönemi hakkında araştırma yapan bireyler ne zaman başlayacağı hakkında bilgi sahibi olmak istiyor

was passiert in der pubertät gesundheitsinformation de - Jun 02 2022

web sie führen unter anderem dazu dass die keimdrüsen bei jungen die hoden und bei mädchen die eierstöcke reifen die keimdrüsen übernehmen später auch die produktion der sexualhormone und geben sie dann in größerer menge ins blut ab die pubertät endet in etappen die meisten mädchen sind mit 14 jungen mit 16 jahren