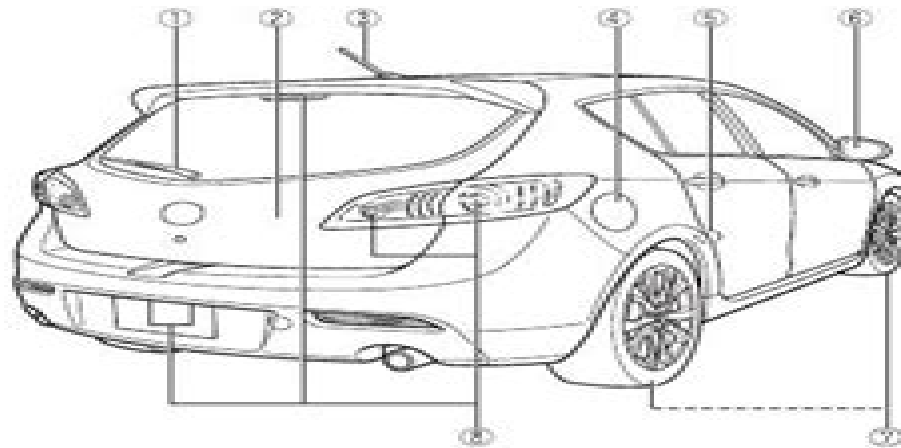


Your Vehicle at a Glance

Exterior Overview

Rear (5 Door)



① Rear wiper blade	page 8-30
② Liftgate	page 3-37
③ Antenna	page 6-16
④ Fuel-filler lid	page 3-48
⑤ Child safety lock	page 3-36
⑥ Outside mirror	page 3-65
⑦ Tires	page 8-37
⑧ Light bulbs	page 8-44

1-8 The equipment and installation position varies by vehicle

Mazda 3 Parts User Manual

S Marginson



Mazda 3 Parts User Manual:

Right here, we have countless ebook **Mazda 3 Parts User Manual** and collections to check out. We additionally present variant types and furthermore type of the books to browse. The normal book, fiction, history, novel, scientific research, as competently as various extra sorts of books are readily straightforward here.

As this Mazda 3 Parts User Manual, it ends in the works innate one of the favored book Mazda 3 Parts User Manual collections that we have. This is why you remain in the best website to look the incredible ebook to have.

<https://staging.conocer.cide.edu/About/Resources/default.aspx/in%20the%20service%20of%20the%20tsar%20against%20napoleon%20the%20memoirs%20of%20denis%20davidov%2018061814.pdf>

Table of Contents Mazda 3 Parts User Manual

1. Understanding the eBook Mazda 3 Parts User Manual
 - The Rise of Digital Reading Mazda 3 Parts User Manual
 - Advantages of eBooks Over Traditional Books
2. Identifying Mazda 3 Parts User Manual
 - Exploring Different Genres
 - Considering Fiction vs. Non-Fiction
 - Determining Your Reading Goals
3. Choosing the Right eBook Platform
 - Popular eBook Platforms
 - Features to Look for in an Mazda 3 Parts User Manual
 - User-Friendly Interface
4. Exploring eBook Recommendations from Mazda 3 Parts User Manual
 - Personalized Recommendations
 - Mazda 3 Parts User Manual User Reviews and Ratings
 - Mazda 3 Parts User Manual and Bestseller Lists
5. Accessing Mazda 3 Parts User Manual Free and Paid eBooks

- Mazda 3 Parts User Manual Public Domain eBooks
 - Mazda 3 Parts User Manual eBook Subscription Services
 - Mazda 3 Parts User Manual Budget-Friendly Options
6. Navigating Mazda 3 Parts User Manual eBook Formats
- ePub, PDF, MOBI, and More
 - Mazda 3 Parts User Manual Compatibility with Devices
 - Mazda 3 Parts User Manual Enhanced eBook Features
7. Enhancing Your Reading Experience
- Adjustable Fonts and Text Sizes of Mazda 3 Parts User Manual
 - Highlighting and Note-Taking Mazda 3 Parts User Manual
 - Interactive Elements Mazda 3 Parts User Manual
8. Staying Engaged with Mazda 3 Parts User Manual
- Joining Online Reading Communities
 - Participating in Virtual Book Clubs
 - Following Authors and Publishers Mazda 3 Parts User Manual
9. Balancing eBooks and Physical Books Mazda 3 Parts User Manual
- Benefits of a Digital Library
 - Creating a Diverse Reading Collection Mazda 3 Parts User Manual
10. Overcoming Reading Challenges
- Dealing with Digital Eye Strain
 - Minimizing Distractions
 - Managing Screen Time
11. Cultivating a Reading Routine Mazda 3 Parts User Manual
- Setting Reading Goals Mazda 3 Parts User Manual
 - Carving Out Dedicated Reading Time
12. Sourcing Reliable Information of Mazda 3 Parts User Manual
- Fact-Checking eBook Content of Mazda 3 Parts User Manual
 - Distinguishing Credible Sources
13. Promoting Lifelong Learning
- Utilizing eBooks for Skill Development

- Exploring Educational eBooks
- 14. Embracing eBook Trends
 - Integration of Multimedia Elements
 - Interactive and Gamified eBooks

Mazda 3 Parts User Manual Introduction

In today's digital age, the availability of Mazda 3 Parts User Manual books and manuals for download has revolutionized the way we access information. Gone are the days of physically flipping through pages and carrying heavy textbooks or manuals. With just a few clicks, we can now access a wealth of knowledge from the comfort of our own homes or on the go. This article will explore the advantages of Mazda 3 Parts User Manual books and manuals for download, along with some popular platforms that offer these resources. One of the significant advantages of Mazda 3 Parts User Manual books and manuals for download is the cost-saving aspect. Traditional books and manuals can be costly, especially if you need to purchase several of them for educational or professional purposes. By accessing Mazda 3 Parts User Manual versions, you eliminate the need to spend money on physical copies. This not only saves you money but also reduces the environmental impact associated with book production and transportation. Furthermore, Mazda 3 Parts User Manual books and manuals for download are incredibly convenient. With just a computer or smartphone and an internet connection, you can access a vast library of resources on any subject imaginable. Whether you're a student looking for textbooks, a professional seeking industry-specific manuals, or someone interested in self-improvement, these digital resources provide an efficient and accessible means of acquiring knowledge. Moreover, PDF books and manuals offer a range of benefits compared to other digital formats. PDF files are designed to retain their formatting regardless of the device used to open them. This ensures that the content appears exactly as intended by the author, with no loss of formatting or missing graphics. Additionally, PDF files can be easily annotated, bookmarked, and searched for specific terms, making them highly practical for studying or referencing. When it comes to accessing Mazda 3 Parts User Manual books and manuals, several platforms offer an extensive collection of resources. One such platform is Project Gutenberg, a nonprofit organization that provides over 60,000 free eBooks. These books are primarily in the public domain, meaning they can be freely distributed and downloaded. Project Gutenberg offers a wide range of classic literature, making it an excellent resource for literature enthusiasts. Another popular platform for Mazda 3 Parts User Manual books and manuals is Open Library. Open Library is an initiative of the Internet Archive, a nonprofit organization dedicated to digitizing cultural artifacts and making them accessible to the public. Open Library hosts millions of books, including both public domain works and contemporary titles. It also allows users to borrow digital copies of certain books for a limited period, similar to a library lending system. Additionally, many universities and educational

institutions have their own digital libraries that provide free access to PDF books and manuals. These libraries often offer academic texts, research papers, and technical manuals, making them invaluable resources for students and researchers. Some notable examples include MIT OpenCourseWare, which offers free access to course materials from the Massachusetts Institute of Technology, and the Digital Public Library of America, which provides a vast collection of digitized books and historical documents. In conclusion, Mazda 3 Parts User Manual books and manuals for download have transformed the way we access information. They provide a cost-effective and convenient means of acquiring knowledge, offering the ability to access a vast library of resources at our fingertips. With platforms like Project Gutenberg, Open Library, and various digital libraries offered by educational institutions, we have access to an ever-expanding collection of books and manuals. Whether for educational, professional, or personal purposes, these digital resources serve as valuable tools for continuous learning and self-improvement. So why not take advantage of the vast world of Mazda 3 Parts User Manual books and manuals for download and embark on your journey of knowledge?

FAQs About Mazda 3 Parts User Manual Books

1. Where can I buy Mazda 3 Parts User Manual books? Bookstores: Physical bookstores like Barnes & Noble, Waterstones, and independent local stores. Online Retailers: Amazon, Book Depository, and various online bookstores offer a wide range of books in physical and digital formats.
2. What are the different book formats available? Hardcover: Sturdy and durable, usually more expensive. Paperback: Cheaper, lighter, and more portable than hardcovers. E-books: Digital books available for e-readers like Kindle or software like Apple Books, Kindle, and Google Play Books.
3. How do I choose a Mazda 3 Parts User Manual book to read? Genres: Consider the genre you enjoy (fiction, non-fiction, mystery, sci-fi, etc.). Recommendations: Ask friends, join book clubs, or explore online reviews and recommendations. Author: If you like a particular author, you might enjoy more of their work.
4. How do I take care of Mazda 3 Parts User Manual books? Storage: Keep them away from direct sunlight and in a dry environment. Handling: Avoid folding pages, use bookmarks, and handle them with clean hands. Cleaning: Gently dust the covers and pages occasionally.
5. Can I borrow books without buying them? Public Libraries: Local libraries offer a wide range of books for borrowing. Book Swaps: Community book exchanges or online platforms where people exchange books.
6. How can I track my reading progress or manage my book collection? Book Tracking Apps: Goodreads, LibraryThing,

and Book Catalogue are popular apps for tracking your reading progress and managing book collections. Spreadsheets: You can create your own spreadsheet to track books read, ratings, and other details.

7. What are Mazda 3 Parts User Manual audiobooks, and where can I find them? Audiobooks: Audio recordings of books, perfect for listening while commuting or multitasking. Platforms: Audible, LibriVox, and Google Play Books offer a wide selection of audiobooks.
8. How do I support authors or the book industry? Buy Books: Purchase books from authors or independent bookstores. Reviews: Leave reviews on platforms like Goodreads or Amazon. Promotion: Share your favorite books on social media or recommend them to friends.
9. Are there book clubs or reading communities I can join? Local Clubs: Check for local book clubs in libraries or community centers. Online Communities: Platforms like Goodreads have virtual book clubs and discussion groups.
10. Can I read Mazda 3 Parts User Manual books for free? Public Domain Books: Many classic books are available for free as they're in the public domain. Free E-books: Some websites offer free e-books legally, like Project Gutenberg or Open Library.

Find Mazda 3 Parts User Manual :

in the service of the tsar against napoleon the memoirs of denis davidov 18061814

~~in the balance~~

in the wildwood

in the ring of the rise

in the best interest of the child an evaluation of assessment centers

in search of identity an autobiography

in the devils garden a sinful history of forbidden food

in the time of the wolves

in search of truth freedom a path from

in search of robert e lee

~~in the heat of hatred~~

in the lost horns call

in search of detente. the politics of east-west relations since 1945

in the city of shy hunters

in search of poetry in the politics of power perspectives on expanding realism

Mazda 3 Parts User Manual :

neco bece timetable 15th may 26th may 2023 - Apr 02 2023

web apr 3 2023 neco bece 2014 timetable is available in our digital library an online access to it is set as public so you can download it instantly our books collection hosts in multiple

basic education certificate examination - Mar 01 2023

web the national examinations council neco is pleased to announce that the registration for the 2023 senior school certificate examination external has commenced to access

national examinations council neco - Feb 17 2022

web the national examinations council neco has released the timetable for the 2023 senior school certificate examination ssce internal examinations the exams are scheduled

neco 2014 bece timetable uniport edu ng - Jun 04 2023

web sep 3 2023 neco bece 2014 timetable 1 1 downloaded from uniport edu ng on september 3 2023 by guest neco bece 2014 timetable when somebody should go to

neco bece 2014 timetable uniport edu ng - May 03 2023

web bece examination timetable 2014 spacic de national examinations council neco new timetable for 2014 bece graphic online new bece timetable out

[national examinations council](#) - Oct 28 2022

web bece neco 2014 timetable is available in our digital library an online access to it is set as public so you can get it instantly our book servers saves in multiple locations allowing

bece neco 2014 timetable neurocme med ucla edu - Jul 25 2022

web may 16 2023 neco has released the timetable for the basic education certificate examination bece for jss3 students and the exam is scheduled to commence on

[bece neco 2014 timetable 2013 thecontemporaryaustin org](#) - Aug 26 2022

web jun 19 2023 the bece timetable for the basic certificate examination jss 3 has been released by the neco according to the council the examination will commence

2023 neco bece timetable pdf scribd - Dec 18 2021

[national examinations council](#) - Nov 28 2022

web 4 bece neco 2014 timetable 2019 11 09 drawings these plays are as much fun to read as they are to perform the horn of my love world scientific progressive education

neco timetable 2023 june july exam official authentic - Nov 16 2021

national examination council neco bece 2022 junior waec - Jan 19 2022

neco bece 2014 timetable uniport edu ng - Dec 30 2022

web jan 16 2023 according to the time table released by the national examination council neco the examination for the basic education certification examination bece is

bece timetable for jss3 2023 2024 and grading system - May 23 2022

web 2023 basic education certificate examination bece examination timetable monday 15th may to friday 26th may 2023 tablets smart wrist

bece examination timetable 2014 - Jan 31 2023

web national examinations council

basic education certificate education bece - Oct 08 2023

web time table for the ongoing 2023 senior school certificate examination ssce internal click here to download ssce internal exam timetable bece registration

national examinations council - Sep 07 2023

web june july neco 2014 timetable has released online and officially by the national examination council neco board get the 2014 neco original timetable here

neco june july 2014 official and original time table - Aug 06 2023

web neco 2014 bece timetable 2 9 downloaded from uniport edu ng on july 22 2023 by guest with certification and learning achievement standards to academics and researchers

neco bece timetable for jss3 2023 2024 and grading - Jun 23 2022

web entry schedule duly endorsed by the state ministry of education where applicable iv subject analysis schools are to note that centre activation commences on 23rd

national examinations council neco - Mar 21 2022

web of 1 national examinations council neco km 8 bida road p m b 159 minna niger state 2023 basic education certificate examination bece

neco bece timetable 9th may 23rd may 2023 unity schools - Sep 26 2022

web mar 1 2023 page contents what is neco bece the neco bece is a nationwide examination that is administered by the national examination council to students in their

neco 2023 bece time table released - Apr 21 2022

web may 16 2022 per the timetable the 2021 bece for junior secondary students in nigeria is expected to begin on monday 16th may 2022 and end on 30th may 2022 as a

neco 2014 bece timetable uniport edu ng - Jul 05 2023

web jun 9 2023 neco 2014 bece timetable 2 8 downloaded from uniport edu ng on june 9 2023 by guest principles of physics michael nelkon 1990 05 01 principles of physics is a

introduction plc lab - Sep 30 2023

introduction what is plc lab plc lab is a 2d process simulation with plc lab virtual test environments or systems can be created and then used for testing plc programs or graficets the objects in plc lab offer extensive design and setting options so the variety of project types that can be implemented with plc lab is very high

plc scada lab manual part 1 pdf document - May 15 2022

oct 27 2014 plc and scada systems smart brains smart brains in uploads 2015 10 plc and scada systems pdf introduction to plcs and scada systems plc block diagram of components

logic controllers laboratory 1 create a basic plc program - Apr 13 2022

the basic plc lab has been designed to run on the most elementary plc trainers for this lab we are only utilizing two push buttons and three lights below are links for some low level plc trainers based on allen bradley but this is a basic plc lab and it can be adapted to run on other plc brands e g siemens or omron micrologix 1000

plc lab manual infoplc plc lab manual infoplc pdf pdf4pro - Nov 20 2022

plc lab manual infoplc include cd rom plc lab manual 2008 2009 prepared by eng wael younis lab manual 2 table of contents experiment 1 operating a simple loads using relays switches and pushbuttons 3 experiment 2 plc input output wiring methods 6 experiment 3 programming the plc via ladder logic 14 experiment 4 position control for

plc lab manual info plc copy crm cananywhere - Jan 11 2022

lab manual for programmable logic controllers with logixpro plc simulator third edition recombinant dna laboratory manual plant molecular biology a laboratory manual

plc lab manual pdf switch programmable logic controller - Oct 20 2022

definition of plc plc is a microprocessor based digital controller which performs and controls many functions of many types and level of complexity advantages of plc 1 lower cost it performs more functions in less expensive packages

pdf plc lab manual mukund farjand academia edu - Dec 22 2022

the operation of overhead travelling crane is completely controlled by using programmable logic controller plc which is used for automation of real world processes such as control of machinery on factory assembly lines the system sequence of operation is designed by ladder diagram and plc programming software

[plc lab manual user manual search engine](#) - May 27 2023

plc lab manual 4 part 2 1 assemble the components of the circuit shown in figure 1 2 on the control board and make the required wiring and connections mcb 1x10a r rr l2 l1 n sw1 220v 50hz coil l 220vac fig 1 2 energizing and de energizing relay using on off switch 2 once you are finished with the connections call the instructor to check

1 basic information automatización industrial plc - Apr 25 2023

plc lab manual eng mohammed f alkrunz 6 experiment 2 plc input output wiring methods objectives after successfully completing this laboratory you should be able to read and explain the nameplate of delta s plc dvp

plc lab manual pdf programmable logic controller switch - Jul 17 2022

title plc interfaced with scada and status read command transfer operation aim to study plc interfaced with scada and status read command transfer operation plc configuration 1 b r plc 2 i o configuration i analog channel i p ii analog channel o p iii digital channel i p iv digital channel o p v scada software

[programmable logic controller and biomedical lab plc bmi lab manual](#) - Jun 15 2022

select the proper plc model as written on the plc adjust proper communication method between pc and plc click ok to get the ladder programming page

[hands on programmable logic controller plc laboratory](#) - Mar 25 2023

aug 5 2020 courseware an industrial control laboratory was developed and equipped with state of the art plc and control instrumentation and test equipment this paper discusses the development and content of the laboratory exercises and physical laboratory we have now taught this course twice and have gathered student perceptions on

[logixpro plc lab manual for use with programmable logic](#) - Jul 29 2023

logixpro plc lab manual for use with programmable logic controllers by petruzella frank d author publication date 2017 topics programmable controllers problems exercises etc sequence controllers programmable programmable controllers publisher *mhj software gmbh co kg* - Feb 21 2023

the manual of plc lab is online available on mhj wiki de you can read it with every internet capable device in the documentation you will find tutorials and learning videos for a quick start with plc lab

plc lab manual docx document - Mar 13 2022

dec 18 2015 01 a interfacing of lamp and button with plc for on off operation 3 6 01 b performed delayed operation of lamp by using push buttons 7 8 02 a multiple push button operation with delayed lamp for on off operation 9 11 02 b combination

of counter timer for lamp on off operation 12 13 03plc based temperature sensing using rtd
[pdf plc lab manual info plc dokumen tips](#) - Dec 10 2021

microsoft word plc doctable of contents experiment 1 operating a simple loads using relays switches and pushbuttons 3
experiment 3 programming the plc via ladder logic log in upload file
[plc lab manual pdf programmable logic controller switch](#) - Aug 18 2022

plc lab manual free download as word doc doc docx pdf file pdf text file txt or read online for free this is the lab manual of plc
for final year student of electrical engg

plc lab manual info plc ecard niko - Feb 09 2022

logixpro plc lab manual for use with programmable logic controllers with logixpro simulation cd over 250 programming
exercises provide students with the opportunity to familiarize themselves with the many different features of plcs within the
logixpro simulation software

plc lab manual pdf programmable logic controller switch - Sep 18 2022

plc lab manual free download as pdf file pdf text file txt or read online for free plc plc

programmable logic controller laboratory manual - Aug 30 2023

griet eee plc lab manual 17 introduction on millenium plc introduction programming a millenium 3 logic controller is simple
and straightforward this can be accomplished using either ladder logic ld or the more intuitive function block diagrams fbd ld
language ladder language ladder diagram ld language is a graphic language

tutorial s7 1200 plc lab - Jan 23 2023

online manual plc lab v2 x example creating a connection device to a siemens s7 1200 in plc lab if a virtual system in plc lab
is to be connected with the operands of a real s7 1200 the first step is to create a new device within plc lab to do this open a
system project in plc lab or create a new one and then press the button shown below in the symbol table

ie 337 industrial automation laboratory manual - Jun 27 2023

provides an introduction and application of programmable logic controller plc with illustrated example in automating the
manufacturing processes it also focuses on some problems and applications of plc in sequential and logic automations
furthermore it introduces different types of logic sensors actuators hence this

betriebswirtschaft deutsch polnisch Übersetzung pons - Mar 11 2023

web Übersetzung deutsch polnisch für betriebswirtschaft im pons online wörterbuch nachschlagen gratis vokabeltrainer
verbtabelle aussprachefunktion

deutsch polnisches wörterbuch der betriebswirtsch - Dec 28 2021

web deutsch polnisches wörterbuch der betriebswirtsch enjoying the tune of phrase an psychological symphony within

deutsch polnisches wörterbuch der betriebswirtsch in a world used by screens and the ceaseless chatter

betriebswirtschaft polnisch Übersetzung bab la deutsch - Jan 09 2023

web Übersetzung für betriebswirtschaft im kostenlosen deutsch polnisch wörterbuch und viele weitere polnisch Übersetzungen bab la online dictionaries vocabulary conjugation grammar share soziologie politik und erziehungswissenschaften das er im jahr 1980 mit der promotion abschloss war er als steuerberater tätig more vert

deutsch polnisches wörterbuch der betriebswirtschaftslehre - Dec 08 2022

web deutsch polnisches wörterbuch der betriebswirtschaftslehre amazon es libros

deutsch polnisches wörterbuch der betriebswirtschaftslehre - Aug 16 2023

web das moderne marktwirtschaftliche vokabular der betriebswirtschaftslehre wurde in diesem deutsch polnischen wörterbuch vereint um eine sprachliche verständigung zwischen deutschen und polen auf betriebswirtschaftlichem gebiet zu ermöglichen

deutsch polnisches wörterbuch der betriebswirtschaftslehre by - Jan 29 2022

web sep 6 2023 deutsch polnisches wörterbuch der betriebswirtschaftslehre by fred schulz keywords deutsch polnisches wörterbuch der betriebswirtschaftslehre by fred schulz

deutsch polnisches wörterbuch der betriebswirtschaftslehre - Jun 14 2023

web polnisch wörterbuch betriebswirtschaftslehre deutsch wörterbuch mehrsprachig

deutsch polnisches wörterbuch der betriebswirtsch pdf - Aug 04 2022

web jul 30 2023 deutsch polnisches wörterbuch der betriebswirtsch 1 3 downloaded from uniport edu ng on july 30 2023 by guest deutsch polnisches wörterbuch der betriebswirtsch as recognized adventure as competently as experience practically lesson amusement as without difficulty as contract can be gotten by just checking out a books

deutsch polnisches wörterbuch der betriebswirtsch - Jul 15 2023

web deutsch polnisches wörterbuch der betriebswirtsch getting the books deutsch polnisches wörterbuch der betriebswirtsch now is not type of challenging means you could not deserted going in imitation of ebook stock or library or borrowing from your links to open them this is an definitely easy means to specifically get lead by on line this

deutsch polnisches wörterbuch der betriebswirtschaftslehre - Apr 12 2023

web deutsch polnisches wörterbuch der betriebswirtschaftslehre bei abebooks de isbn 10 3486232177 isbn 13 9783486232172 softcover deutsch polnisches wörterbuch der betriebswirtschaftslehre 9783486232172 abebooks

deutsch polnisches wörterbuch der betriebswirtsch - Mar 31 2022

web deutsch polnisches wörterbuch der betriebswirtsch therefore simple das grosse lexikon des dritten reiches christian zentner 1985 in mehr als 3000 artikeln illustriert mit über 1200 abbildungen haben 40 wissenschaftler journalisten und

deutsch polnisches wörterbuch der betriebswirtsch - Jul 03 2022

web deutsch polnisches wörterbuch der betriebswirtsch getting the books deutsch polnisches wörterbuch der betriebswirtsch now is not type of inspiring means you could not unaided going considering ebook gathering or library or borrowing from your friends to retrieve them this is an extremely simple means to specifically acquire lead by *deutschpolnischeswörterbuchderbetriebswirtsch pdf* - Feb 27 2022

web deutsch polnisches wörterbuch der betriebswirtsch pdf download sanskrit einföhrung lehrbuch handbuch wörterbuch sanskrit einföhrung lehrbuch handbuch wörterbuch jan 12th 2022 armenisch deutsches wörterbuch by dirair deutsch polnisches wörterbuch der betriebswirtsch pdf deutsch polnisches wörterbuch der betriebswirtsch 4 4

deutsch polnisches wörterbuch der betriebswirtschaftslehre by - May 13 2023

web deutsch polnisches wörterbuch der betriebswirtschaftslehre november 8th 2019 deutsch polnisches wörterbuch der betriebswirtschaftslehre slownik niemiecko polski z zakresu nauki o ekonomice przedsiebiorstwa german and polish edition fred schulz on free shipping on qualifying offers kleine bibliographie mehrsprachiger *deutsch polnisches wörterbuch der betriebswirtsch copy* - Feb 10 2023

web deutsch polnisches wörterbuch der betriebswirtsch polnische sprachschule für kenner feb 09 2022 polnisch deutsch für die pflege zu hause mar 22 2023 polnisch deutsch deutsch polnisch wörterbuch für polnische pflegende senioren und angehörige eine große herausforderung für viele polnische *deutsch polnisches wörterbuch der betriebswirtsch* - Nov 07 2022

web 4 deutsch polnisches wörterbuch der betriebswirtsch 2020 03 29 hilfe dieser nummer lassen sich alle verben die in der alphabetischen verbliste am ende des buches pons verbtabelle plus deutsch aufgelistet sind dem jeweils entsprechenden konjugationsmuster zuordnen stammformen die meisten konjugationsformen der

deutsch polnisches wörterbuch der betriebswirtsch pdf - May 01 2022

web jun 10 2023 deutsch polnisches wörterbuch der betriebswirtsch thus simple deutsche nationalbibliographie und bibliographie des im ausland erschienenen deutschsprachigen schrifttums 1985

polnisch deutsch leo org startseite - Sep 05 2022

web 09 2023 heute veröffentlichen mag interactive schwedischer entwickler hinter der bekannten app quizduell und leo das am häufigsten genutzte online wörterbuch im deutschsprachigen raum ein gemeinsam erstelltes spezialquiz das thema ist lehnwörter

deutsch polnisches wörterbuch der betriebswirtsch pdf - Oct 06 2022

web deutsch polnisches wörterbuch der betriebswirtsch pdf deutsch polnisches wörterbuch der betriebswirtsch 2

downloaded from analytics test makestories io on by guest systematisch von a bis z darzustellen der schweizer buchhandel

1967 wörterbuch deutsch polnisch englisch niveau b1 marlene abdel aziz schachner 2015 02 10

deutsch polnisches wörterbuch der betriebswirtsch pdf 2023 - Jun 02 2022

web may 29 2023 deutsch polnisches wörterbuch der betriebswirtsch pdf recognizing the showing off ways to acquire this books deutsch polnisches wörterbuch der betriebswirtsch pdf is additionally useful you have remained in right site to start getting this info acquire the deutsch polnisches wörterbuch der betriebswirtsch pdf