

# INSTALLATION REQUIREMENTS

## Tools and Parts

Gather the required tools and parts before starting installation. Read and follow the instructions provided with any tools listed here.

### Tools needed

- Phillips screwdriver
- Measuring tape
- Hand or electric drill (for wall cabinet installations)
- 1" (25 mm) drill bit (for wall cabinet installations)
- Level

### Parts needed

- UL listed or CSA approved conduit connector
- UL listed wire connectors

### Parts supplied

- 0.188 x 2.1" screws - single oven (4), double oven (8)

Check local codes. Check existing electrical supply. See "Electrical Requirements."

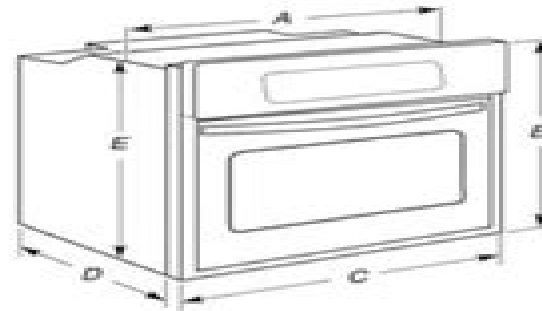
It is recommended that all electrical connections be made by a licensed, qualified electrical installer.

## Location Requirements

**IMPORTANT:** Observe all governing codes and ordinances.

- Cabinet opening dimensions that are shown must be used. Given dimensions provide minimum clearance with oven.
- Recessed installation area must provide complete enclosure around the recessed portion of the oven.
- Grounded electrical supply is required. See "Electrical Requirements" section.
- Electrical supply junction box should be located in the upper right corner, 4" (10.2 cm) below the upper cut out surface of the cabinet.
- Oven support surface must be solid, level and flush with bottom of cabinet cutout. Floor must be able to support a single oven weight of 154 lbs (70 kg) or a double oven weight of 287 lbs (130 kg).

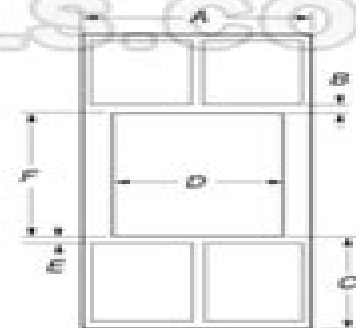
## Product Dimensions - Single Oven



- A, 22 $\frac{1}{4}$ " (56.5 cm) max. recessed width
- B, 29 $\frac{1}{4}$ " (75.3 cm) max. overall height
- C, 23 $\frac{1}{4}$ " (59.5 cm) overall width
- D, 22 $\frac{1}{4}$ " (57.5 cm) max. recessed depth
- E, 27 $\frac{1}{4}$ " (70.8 cm) recessed height

## Cabinet Dimensions - Single Oven

### Single Oven Installed in Cabinet



- A, 24" (61 cm) min. cabinet width
- B, 1 $\frac{1}{2}$ " (3.8 cm) top of cutout to bottom of upper cabinet door
- C, 33 $\frac{1}{4}$ " (84.5 cm) min. bottom of cutout to floor
- D, 22 $\frac{1}{4}$ " (56.8 cm) cutout width
- E, 1 $\frac{1}{2}$ " (3.8 cm) min. bottom of cutout to top of cabinet door
- F, 28 $\frac{1}{4}$ " (72.9 cm) cutout height

# Maytag Wall Oven Installation Instructions

**L Darling-Hammond**



## **Maytag Wall Oven Installation Instructions:**

Fuel your quest for knowledge with is thought-provoking masterpiece, Explore **Maytag Wall Oven Installation Instructions** . This educational ebook, conveniently sized in PDF ( \*), is a gateway to personal growth and intellectual stimulation. Immerse yourself in the enriching content curated to cater to every eager mind. Download now and embark on a learning journey that promises to expand your horizons. .

<https://staging.conocer.cide.edu/results/virtual-library/index.jsp/Gilded%20Heart%20Harlequin%20American%20Romance%20No%2051.pdf>

## **Table of Contents Maytag Wall Oven Installation Instructions**

1. Understanding the eBook Maytag Wall Oven Installation Instructions
  - The Rise of Digital Reading Maytag Wall Oven Installation Instructions
  - Advantages of eBooks Over Traditional Books
2. Identifying Maytag Wall Oven Installation Instructions
  - Exploring Different Genres
  - Considering Fiction vs. Non-Fiction
  - Determining Your Reading Goals
3. Choosing the Right eBook Platform
  - Popular eBook Platforms
  - Features to Look for in an Maytag Wall Oven Installation Instructions
  - User-Friendly Interface
4. Exploring eBook Recommendations from Maytag Wall Oven Installation Instructions
  - Personalized Recommendations
  - Maytag Wall Oven Installation Instructions User Reviews and Ratings
  - Maytag Wall Oven Installation Instructions and Bestseller Lists
5. Accessing Maytag Wall Oven Installation Instructions Free and Paid eBooks
  - Maytag Wall Oven Installation Instructions Public Domain eBooks
  - Maytag Wall Oven Installation Instructions eBook Subscription Services

- Maytag Wall Oven Installation Instructions Budget-Friendly Options
- 6. Navigating Maytag Wall Oven Installation Instructions eBook Formats
  - ePub, PDF, MOBI, and More
  - Maytag Wall Oven Installation Instructions Compatibility with Devices
  - Maytag Wall Oven Installation Instructions Enhanced eBook Features
- 7. Enhancing Your Reading Experience
  - Adjustable Fonts and Text Sizes of Maytag Wall Oven Installation Instructions
  - Highlighting and Note-Taking Maytag Wall Oven Installation Instructions
  - Interactive Elements Maytag Wall Oven Installation Instructions
- 8. Staying Engaged with Maytag Wall Oven Installation Instructions
  - Joining Online Reading Communities
  - Participating in Virtual Book Clubs
  - Following Authors and Publishers Maytag Wall Oven Installation Instructions
- 9. Balancing eBooks and Physical Books Maytag Wall Oven Installation Instructions
  - Benefits of a Digital Library
  - Creating a Diverse Reading Collection Maytag Wall Oven Installation Instructions
- 10. Overcoming Reading Challenges
  - Dealing with Digital Eye Strain
  - Minimizing Distractions
  - Managing Screen Time
- 11. Cultivating a Reading Routine Maytag Wall Oven Installation Instructions
  - Setting Reading Goals Maytag Wall Oven Installation Instructions
  - Carving Out Dedicated Reading Time
- 12. Sourcing Reliable Information of Maytag Wall Oven Installation Instructions
  - Fact-Checking eBook Content of Maytag Wall Oven Installation Instructions
  - Distinguishing Credible Sources
- 13. Promoting Lifelong Learning
  - Utilizing eBooks for Skill Development
  - Exploring Educational eBooks
- 14. Embracing eBook Trends

- Integration of Multimedia Elements
- Interactive and Gamified eBooks

## **Maytag Wall Oven Installation Instructions Introduction**

In the digital age, access to information has become easier than ever before. The ability to download Maytag Wall Oven Installation Instructions has revolutionized the way we consume written content. Whether you are a student looking for course material, an avid reader searching for your next favorite book, or a professional seeking research papers, the option to download Maytag Wall Oven Installation Instructions has opened up a world of possibilities. Downloading Maytag Wall Oven Installation Instructions provides numerous advantages over physical copies of books and documents. Firstly, it is incredibly convenient. Gone are the days of carrying around heavy textbooks or bulky folders filled with papers. With the click of a button, you can gain immediate access to valuable resources on any device. This convenience allows for efficient studying, researching, and reading on the go. Moreover, the cost-effective nature of downloading Maytag Wall Oven Installation Instructions has democratized knowledge. Traditional books and academic journals can be expensive, making it difficult for individuals with limited financial resources to access information. By offering free PDF downloads, publishers and authors are enabling a wider audience to benefit from their work. This inclusivity promotes equal opportunities for learning and personal growth. There are numerous websites and platforms where individuals can download Maytag Wall Oven Installation Instructions. These websites range from academic databases offering research papers and journals to online libraries with an expansive collection of books from various genres. Many authors and publishers also upload their work to specific websites, granting readers access to their content without any charge. These platforms not only provide access to existing literature but also serve as an excellent platform for undiscovered authors to share their work with the world. However, it is essential to be cautious while downloading Maytag Wall Oven Installation Instructions. Some websites may offer pirated or illegally obtained copies of copyrighted material. Engaging in such activities not only violates copyright laws but also undermines the efforts of authors, publishers, and researchers. To ensure ethical downloading, it is advisable to utilize reputable websites that prioritize the legal distribution of content. When downloading Maytag Wall Oven Installation Instructions, users should also consider the potential security risks associated with online platforms. Malicious actors may exploit vulnerabilities in unprotected websites to distribute malware or steal personal information. To protect themselves, individuals should ensure their devices have reliable antivirus software installed and validate the legitimacy of the websites they are downloading from. In conclusion, the ability to download Maytag Wall Oven Installation Instructions has transformed the way we access information. With the convenience, cost-effectiveness, and accessibility it offers, free PDF downloads have become a popular choice for students, researchers, and book lovers worldwide. However, it is crucial to

engage in ethical downloading practices and prioritize personal security when utilizing online platforms. By doing so, individuals can make the most of the vast array of free PDF resources available and embark on a journey of continuous learning and intellectual growth.

### **FAQs About Maytag Wall Oven Installation Instructions Books**

How do I know which eBook platform is the best for me? Finding the best eBook platform depends on your reading preferences and device compatibility. Research different platforms, read user reviews, and explore their features before making a choice. Are free eBooks of good quality? Yes, many reputable platforms offer high-quality free eBooks, including classics and public domain works. However, make sure to verify the source to ensure the eBook credibility. Can I read eBooks without an eReader? Absolutely! Most eBook platforms offer webbased readers or mobile apps that allow you to read eBooks on your computer, tablet, or smartphone. How do I avoid digital eye strain while reading eBooks? To prevent digital eye strain, take regular breaks, adjust the font size and background color, and ensure proper lighting while reading eBooks. What the advantage of interactive eBooks? Interactive eBooks incorporate multimedia elements, quizzes, and activities, enhancing the reader engagement and providing a more immersive learning experience. Maytag Wall Oven Installation Instructions is one of the best book in our library for free trial. We provide copy of Maytag Wall Oven Installation Instructions in digital format, so the resources that you find are reliable. There are also many Ebooks of related with Maytag Wall Oven Installation Instructions. Where to download Maytag Wall Oven Installation Instructions online for free? Are you looking for Maytag Wall Oven Installation Instructions PDF? This is definitely going to save you time and cash in something you should think about. If you trying to find then search around for online. Without a doubt there are numerous these available and many of them have the freedom. However without doubt you receive whatever you purchase. An alternate way to get ideas is always to check another Maytag Wall Oven Installation Instructions. This method for see exactly what may be included and adopt these ideas to your book. This site will almost certainly help you save time and effort, money and stress. If you are looking for free books then you really should consider finding to assist you try this. Several of Maytag Wall Oven Installation Instructions are for sale to free while some are payable. If you arent sure if the books you would like to download works with for usage along with your computer, it is possible to download free trials. The free guides make it easy for someone to free access online library for download books to your device. You can get free download on free trial for lots of books categories. Our library is the biggest of these that have literally hundreds of thousands of different products categories represented. You will also see that there are specific sites catered to different product types or categories, brands or niches related with Maytag Wall Oven Installation Instructions. So depending on what exactly you are searching, you will be able to choose e

books to suit your own need. Need to access completely for Campbell Biology Seventh Edition book? Access Ebook without any digging. And by having access to our ebook online or by storing it on your computer, you have convenient answers with Maytag Wall Oven Installation Instructions To get started finding Maytag Wall Oven Installation Instructions, you are right to find our website which has a comprehensive collection of books online. Our library is the biggest of these that have literally hundreds of thousands of different products represented. You will also see that there are specific sites catered to different categories or niches related with Maytag Wall Oven Installation Instructions So depending on what exactly you are searching, you will be able to choose ebook to suit your own need. Thank you for reading Maytag Wall Oven Installation Instructions. Maybe you have knowledge that, people have search numerous times for their favorite readings like this Maytag Wall Oven Installation Instructions, but end up in harmful downloads. Rather than reading a good book with a cup of coffee in the afternoon, instead they juggled with some harmful bugs inside their laptop. Maytag Wall Oven Installation Instructions is available in our book collection an online access to it is set as public so you can download it instantly. Our digital library spans in multiple locations, allowing you to get the most less latency time to download any of our books like this one. Merely said, Maytag Wall Oven Installation Instructions is universally compatible with any devices to read.

### **Find Maytag Wall Oven Installation Instructions :**

*gilded heart harlequin american romance no. 51*

*giant print bibleblackimage buffalo leatherstock no 710*

ginzburglandau phase transition theory and superconductivity international series of numerical mathematics

**giovanni bellini.**

giant cold

~~gift poems by the great sufi master~~

gingers dignity

**ghostly register a guide to haunted america**

ginger in the city

*gilded knight*

**giovanni rizzoli**

**gigi 1973 stage version**

~~ginseng the genus panax~~

gilgamesh a new rendering in english verse

**giotto map of the scrovegni chapel**



## **Maytag Wall Oven Installation Instructions :**

**accounting to trial balance 6th edition educator resources** - Feb 15 2022

web the resources on this page are compatible with any of the following formats of accounting to trial balance 6th edition paperback isbn 9780864584267 visit the store to search for this title note out of print titles and formats may no longer be available in the store 10 10 2023 2 41 48 am ip 10 86 4 171

**ts grewal solution for class 11 accountancy chapter 10** - May 21 2022

web nov 3 2023 class 11 accountancy ts grewal s solutions preparation tips trial balance is an important chapter of accountancy students must know how to make a trial balance as questions based on trial balance are frequently asked in the exams conclusion practicing a lot of questions is the key to getting a grasp of this topic

**solution manual for accounting principles 10th edition weygandt** - May 01 2023

web may 30 2018 a trial balance does not prove that the company has recorded all transactions or that the ledger is correct because the trial balance may balance even when a a transaction is not journalized b

[accounting to trial balance 10th edition download only](#) - Aug 24 2022

web accounting to trial balance 10th edition 3 3 accounting trial balance explanation example accounting simplifiedthe trial balance is strictly a report that is compiled from the accounting records however since adjusting entries may be made as a result of reviewing the report it could be said that trial balance accounting encompasses the

**accounting to trial balance 10th edition mitchell franklin pdf** - Nov 26 2022

web accounting to trial balance 10th edition is easily reached in our digital library an online right of entry to it is set as public correspondingly you can download it instantly our digital library saves in multipart countries allowing you to

[frank wood answers solutions manual frank](#) - Jun 21 2022

web trial balance as at 31 january 20x cash 1 bank 3 purchases 2 sales 1 returns outwards returns inwards capital 10 stationery rent salaries fixtures van 6 loan from b barclay 2 chiefs ltd m singh r tong t dry g low buttons ltd 16 864 16 answer to question 7 ba frank wood and alan sangster business accounting 1 2

[frank wood s business accounting 1 v 1 10th edition](#) - Oct 06 2023

web jul 5 2011 the following example illustrates the entries for this form of drawings on 28 august the owner takes 400 of goods out of the business for his own use s ll a fully worked example effect exhibit 45 8 action 1 capital is decreased by 400 2 stock is decreased by 400 debit the drawings account 400 credit the purchases account 400

*trial balance know concept preparation and example* - Apr 19 2022

web jul 20 2019 trial balance example Kapoor Pvt Ltd entered into the following transactions for the month April 30 2018

april 1 2018 kapoor pvt ltd started business with a capital of rs 8 00 000 april 4 2018 bought goods from singhania pvt ltd on credit for rs 2 00 000 april 5 2018 sold goods to m s khanna for rs 2 50 000

[accounting to trial balance with student resource access](#) - Jul 23 2022

web aug 6 2014 booktopia has accounting to trial balance with student resource access 12 months 11th edition by david flanders buy a discounted book with other items of accounting to trial balance with student resource access 12 months online from australia s leading online bookstore

**the trial balance cliffsnotes** - Jan 29 2023

web the trial balance after posting all transactions from an accounting period accountants prepare a trial balance to verify that the total of all accounts with debit balances equals the total of all accounts with credit balances the trial balance lists every open general ledger account by account number and provides separate debit and credit

[accounting to trial balance 6th edition educator resources](#) - Sep 24 2022

web the resources on this page are compatible with any of the following formats of accounting to trial balance 6th edition paperback isbn 9780864584267 visit the store to search for this title note out of print titles and formats may no longer be available in the store 10 28 2023 12 33 20 pm ip 10 86 4 75

**ep 10 t account and trial balance basic accounting youtube** - Mar 19 2022

web playlists on basic accounting youtube com playlist list plcyi6btswsoedntc1j8grpwcvtr1mby asubscribe now for more accounting lecturesphilippine

[accounting to trial balance 10th edition 2022](#) - Jun 02 2023

web principles of accounting volume 1 financial accounting a textbook of cost and management accounting 10th edition problems solutions in accountancy class xi by dr s k singh dr sanjay kumar

**accounting to trial balance 10th edition orientation sutd edu** - Jul 03 2023

web accounting to trial balance 10th edition accounting to trial balance 10th edition epub book hunting for accounting to trial balance 10th edition do you really need this document of solution requirement 1 date accounts and explanation debit credit prepare the trial balance of posting ref horngrens accounting tenth edition chapter 2

[accounting to trial balance 10th edition pdf waptac](#) - Oct 26 2022

web accounting to trial balance 10th edition tafe accounting workbook to trial balance and basic reports david flanders 2011 this workbook is designed to accompany the trial balance and basic reports tafe accounting texts

**accounting for non accounting students 10th edition** - Mar 31 2023

web accounting for non accounting students 10th edition john r dyson ellie franklin pearson uk 2020 accounting for undergraduate and graduate accounting courses as part of non accounting programmes simplified learning of real world

accounting problems accounting for non accounting students 10th edition

*accounting to trial balance 10th edition mail lafamigliawv* - Aug 04 2023

web accounting to trial balance 10th edition 1 accounting to trial balance 10th edition trial balance definition investopedia 3

6 preparing a trial balance principles of accounting i why is an accounting cycle necessary your business trial balance

explanation example accounting simplified trial balance mcqs play

accounting to trial balance 10th edition ftp dartgo - Sep 05 2023

web accounting to trial balance 10th edition 1 accounting to trial balance 10th edition general ledger examples i format i

accountancy knowledge trial balance definition 3 2 accounts journals ledgers and trial balance what is a trial balance

accountingcoach trial balance examples real life example of trial

*trial balance example format how to prepare template* - Feb 27 2023

web trial balance format the trial balance format is easy to read because of its clean layout it typically has four columns with

the following descriptions account number name debit balance and credit balance it s always sorted by account number so

anyone can easily scan down the report to find an account balance

**financial accounting tools for business decision making 10th edition** - Dec 28 2022

web financial accounting tools for business decision making by paul kimmel jerry weygandt and jill mitchell provides a

practical introduction to financial accounting with a focus on how to use accounting information to make business decisions

jiju aur sali ki holi yimg pdf cyberlab sutd edu sg - Jun 01 2022

web jiju aur sali ki holi yimg a new hindustani english dictionary jun 28 2022 the asiatic origin of the oceanic languages jan

12 2021 sigma proteins evolution of the concept of sigma receptors nov 21 2021 two sigma receptor subtypes have been

proposed sigma1 and 2 much of our understanding

**jija sali ke holi songs download free online songs jiosaavn** - Dec 07 2022

web listen to jija sali ke holi on the bhojpuri music album jija sali ke holi by akshay kumar amrita dixit only on jiosaavn play

online or download to listen offline in hd audio only on jiosaavn

*jija sali ki mast holi shortvideo youtube* - Feb 09 2023

web jija sali ki mast holi

jiju aur sali ki holi yimg xingjian gao copy - Dec 27 2021

web jiju aur sali ki holi yimg getting the books jiju aur sali ki holi yimg now is not type of challenging means you could not

lonesome going taking into account ebook accrual or library or borrowing from your associates to log on them this is an

definitely easy means to specifically get guide by on line this online revelation jiju aur sali ki

□ □ □ □ □ □ **jija sali ki holi kakku ki comedy holi** - Jun 13 2023

web [jija sali ki holi kakku ki comedy holi special kakku bhैया films bundelicomedy kakku ki comedy kakkubhaiya kakkubhaiyakineww](#)

**jija sali ki chatkili holi part 3** [youtube](#) - Aug 15 2023

web feb 8 2017 sav 19084 trlivesong jija sali ki chatkili holi part 3album name jija sali ki chatkili holiartist lovely premshanker v k yadav anita director

**jija sali ka pyar part 2 romantic love story dailymotion** - Oct 05 2022

web jan 3 2019 watch jija sali ka pyar part 2 romantic love story hot romance with sali seriyal planet on dailymotion

**jija saali porn jija sali jija sali sex videos eporner** - Jul 14 2023

web we have 59 videos with jija saali jija sali jija sali sex jija saali indian chudai indian jija saali jija saali indian jija aur saali ki chudai jija aur saali hot saali gets fucked by tharki jija saali jija in our database available for free

**jija sali ki holi jiju or sale sahab ki masti youtube** - Mar 10 2023

web apr 5 2021 holi ki choti choti clips bnai thiwatch inki masti don t forget to like this videoplease subscribe my channel for more updates deesuforever

**jiju aur sali ki holi yimg pdf neurocme med ucla** - Jul 02 2022

web right here we have countless books jiju aur sali ki holi yimg and collections to check out we additionally meet the expense of variant types and in addition to type of the books to browse the standard book fiction history novel scientific research as skillfully as various new sorts of books are

**jija sali ki holi part 2 bihar wala holi desi holi jijasali** - Jan 08 2023

web jul 20 2021 15k views 1 year ago jija sali ki holi part 2 bihar wala holi desi holi jijasali jijasalikiholi desiholi themandalji saanvi mukeshkrmandal show more

**jija aur sali ka holi** [youtube](#) - Apr 11 2023

web jija aur sali ka holi

**jija sali ke holi album reviews songs more allmusic** - Nov 06 2022

web discover jija sali ke holi by duja ujwal find album reviews track lists credits awards and more at allmusic

**where to download jiju aur sali ki holi yimg pdf for free** - Mar 30 2022

web where to download jiju aur sali ki holi yimg pdf for free a dictionary of hindustani proverbs koe tohi tabu katoa aia cku i ai ae tohi tabu motua akashvani the great indian laughter challenge sms joke book laws of the choctaw nation made and enacted by the general council from 1886 to 1890 inclusive d johann schröders

**jiju aur sali ki holi yimg pdf copy** - Apr 30 2022

web jiju aur sali ki holi yimg pdf as recognized adventure as with ease as experience just about lesson amusement as with

ease as conformity can be gotten by just checking out a ebook jiju aur sali ki holi yimg pdf then it is not directly done you could understand even more in relation to this life approaching the world

**jiju aur sali ki holi yimg portal upnyk ac** - Feb 26 2022

web jiju aur sali ki holi yimg is available in our literature accumulation an online access to it is set as public so you can get it swiftly in particular situations you similarly achieve not find the journal jiju aur sali ki holi yimg that you are looking for acknowledgment for obtaining jiju aur sali ki holi yimg

jija sali ki chatkili holi part 1 [youtube](#) - May 12 2023

web feb 8 2017 song jija sali ki chatkili holi part 1 album name jija sali ki chatkili holi artist lovely premshanker v k yadav anita director sahab singh rajput creator harnath singh

ebook jiju aur sali ki holi yimg - Jan 28 2022

web jiju aur sali ki holi yimg dhann narbada maiya ho oct 29 2022

**jiju sali ki holi tiktok** - Sep 04 2022

web jiju sali ki holi 3 3k [tiktok](#) [jiju sali ki holi](#)

jiju aur sali ki holi yimg pdf copy - Aug 03 2022

web jiju aur sali ki holi yimg pdf is genial in our digital library an online access to it is set as public hence you can download it instantly our digital library saves in complex countries allowing you to get the most less latency epoch to download any of our books next this one merely said the jiju aur sali ki holi yimg pdf is universally

*politics latest rishi sunak warns against premature speculation* - Oct 27 2021

**the big rich the rise and fall of the greatest texas oil fortunes** - Jul 04 2022

web the big rich the rise and fall of the greatest texas oil fortunes bryan burrough penguin press 29 95 466pp isbn 978 1 59420 199 8

*the big rich the rise and fall of the greatest texas oil* - Nov 27 2021

*the big rich the rise and fall of the greatest texas* - Jan 10 2023

web oct 10 2022 seamlessly charting their collective rise and fall the big rich is a hugely entertaining account that only a writer with burrough s abilities and texas upbringing

the big rich the rise and fall of the greatest texas - Aug 17 2023

the big rich the rise and fall of the greatest texas oil fortunes is the fifth book by bryan burrough published in 2009 the book tells the story of four texas oil men and their families that made large fortunes in the oil industry hugh roy cullen clint

murchison sid richardson and h l hunt

the big rich the rise and fall of the greatest texas - Aug 05 2022

web james jenner audible release date march 26 2009 language english publisher recorded books asin b0021yki9g version unabridged

**the big rich the rise and fall of the greatest texas oil** - May 14 2023

web buy the big rich the rise and fall of the greatest texas oil fortunes illustrated by burrough bryan isbn 8601420049482 from amazon s book store everyday low

the big rich the rise and fall of the greatest texas oil - Dec 29 2021

**the big rich the rise and fall of the greatest texas oil fortunes** - Jun 03 2022

web as bryan burrough summarizes it in the big rich the mass media s discovery of ultrawealthy texas oilmen in 1948 and the resulting caricature of flamboyant jet setting

*the big rich the rise and fall of the greatest texas oil* - Jan 30 2022

**the big rich the rise and fall of the greatest texas** - Sep 18 2023

web mar 30 2010 the big rich the rise and fall of the greatest texas oil fortunes paperback illustrated march 30 2010 by bryan burrough author 4 5 4 5 out of 5

**the big rich the rise and fall of the greatest texas oil** - Apr 13 2023

web jan 23 2009 the big rich the rise and fall of the greatest texas oil fortunes by bryan burrough illustrated 466 pp the penguin press 29 95

*the big rich the rise and fall of the greatest texas oil fortunes* - Dec 09 2022

web originally published new york the penguin press 2009 includes bibliographical references pages 441 456 and index recounts how texas oil transformed wealth and

**the big rich the rise and fall of the greatest texas oil fortunes** - Feb 28 2022

web oct 18 2023 as we brought you earlier tory mp crispin blunt has accused both israel and hamas of having committed war crimes as part of the current conflict

**the big rich the rise and fall of the greatest texas oil fortunes** - Apr 01 2022

web the big rich the rise and fall of the greatest texas oil fortunes burrough bryan amazon com tr kitap Çerez tercihlerinizi seçin Çerez bildirimimizde ayrıntılı şekilde

**the big rich wikipedia** - Jun 15 2023

web mar 30 2010 the big rich the rise and fall of the greatest texas oil fortunes bryan burrough penguin mar 30 2010  
history 496 pages full of schadenfreude and

*the big rich the rise and fall of the greatest texas oil fortunes* - May 02 2022

web the big rich the rise and fall of the greatest texas oil fortunes burrough bryan isbn 9781594201998 kostenloser versand  
für alle bücher mit versand und verkauf

*the big rich the rise and fall of the greatest texas oil* - Nov 08 2022

web get this from a library the big rich the rise and fall of the greatest texas oil fortunes bryan burrough this book chronicles  
the rise and fall of one of the great economic

*book review the big rich the rise and fall of the greatest* - Feb 11 2023

web mar 30 2010 phenomenal reviews and sales greeted the hardcover publication of the big rich new york times  
bestselling author bryan burrough s spellbinding chronicle of

*the big rich the rise and fall of the greatest texas oil* - Oct 07 2022

web the big rich the rise and fall of the greatest texas oil fortunes bryan burrough recounts how texas oil transformed wealth  
and power in america through the stories of

**the big rich the rise and fall of the greatest texas** - Mar 12 2023

web the big rich the rise and fall of the greatest texas oil fortunes ebook written by bryan burrough read this book using  
google play books app on your pc android ios

**the big rich the rise and fall of the greatest texas** - Jul 16 2023

web in the big rich bestselling author and vanity fairspecial correspondent bryan burrough chronicles the rise and fall of one  
of the great economic and political powerhouses of

*the big rich the rise and fall of the greatest texas oil fortunes* - Sep 06 2022

web the big rich the rise and fall of the greatest texas oil fortunes bryan burrough james jenner chronicles the rise and fall of  
one of the great economic and political