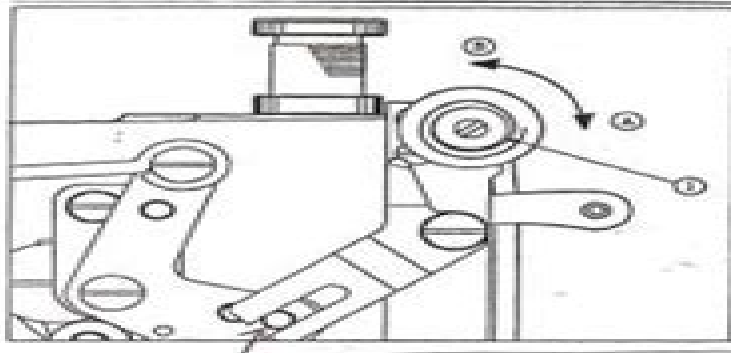
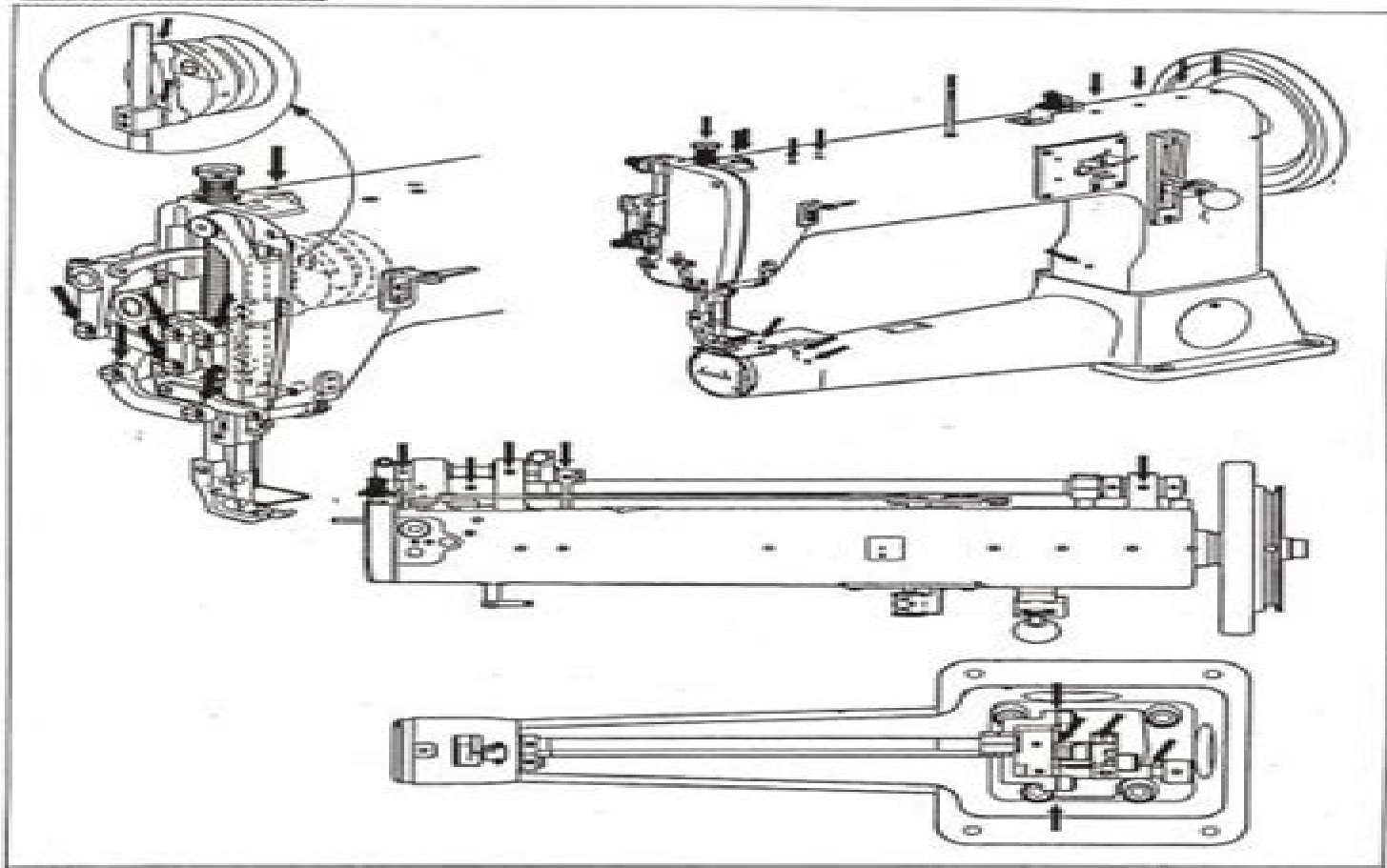


**B. LUBRICATION**



We recommend oiling every 8-10 hrs use, just a drop or two in each hole. Oil the groove the shuttle rides in everytime you change the bobbin & take the end cover off once a month. Make sure you re-align the tension release slide into the pin.



# Juki 441 Manual

**Tobias Bleicker**



## **Juki 441 Manual:**

Yeah, reviewing a books **Juki 441 Manual** could grow your near contacts listings. This is just one of the solutions for you to be successful. As understood, deed does not recommend that you have astounding points.

Comprehending as skillfully as deal even more than other will have enough money each success. neighboring to, the broadcast as capably as sharpness of this Juki 441 Manual can be taken as competently as picked to act.

[https://staging.conocer.cide.edu/data/book-search/Documents/life\\_with\\_mother\\_superior.pdf](https://staging.conocer.cide.edu/data/book-search/Documents/life_with_mother_superior.pdf)

## **Table of Contents Juki 441 Manual**

1. Understanding the eBook Juki 441 Manual
  - The Rise of Digital Reading Juki 441 Manual
  - Advantages of eBooks Over Traditional Books
2. Identifying Juki 441 Manual
  - Exploring Different Genres
  - Considering Fiction vs. Non-Fiction
  - Determining Your Reading Goals
3. Choosing the Right eBook Platform
  - Popular eBook Platforms
  - Features to Look for in an Juki 441 Manual
  - User-Friendly Interface
4. Exploring eBook Recommendations from Juki 441 Manual
  - Personalized Recommendations
  - Juki 441 Manual User Reviews and Ratings
  - Juki 441 Manual and Bestseller Lists
5. Accessing Juki 441 Manual Free and Paid eBooks
  - Juki 441 Manual Public Domain eBooks
  - Juki 441 Manual eBook Subscription Services

- Juki 441 Manual Budget-Friendly Options
- 6. Navigating Juki 441 Manual eBook Formats
  - ePub, PDF, MOBI, and More
  - Juki 441 Manual Compatibility with Devices
  - Juki 441 Manual Enhanced eBook Features
- 7. Enhancing Your Reading Experience
  - Adjustable Fonts and Text Sizes of Juki 441 Manual
  - Highlighting and Note-Taking Juki 441 Manual
  - Interactive Elements Juki 441 Manual
- 8. Staying Engaged with Juki 441 Manual
  - Joining Online Reading Communities
  - Participating in Virtual Book Clubs
  - Following Authors and Publishers Juki 441 Manual
- 9. Balancing eBooks and Physical Books Juki 441 Manual
  - Benefits of a Digital Library
  - Creating a Diverse Reading Collection Juki 441 Manual
- 10. Overcoming Reading Challenges
  - Dealing with Digital Eye Strain
  - Minimizing Distractions
  - Managing Screen Time
- 11. Cultivating a Reading Routine Juki 441 Manual
  - Setting Reading Goals Juki 441 Manual
  - Carving Out Dedicated Reading Time
- 12. Sourcing Reliable Information of Juki 441 Manual
  - Fact-Checking eBook Content of Juki 441 Manual
  - Distinguishing Credible Sources
- 13. Promoting Lifelong Learning
  - Utilizing eBooks for Skill Development
  - Exploring Educational eBooks
- 14. Embracing eBook Trends

- Integration of Multimedia Elements
- Interactive and Gamified eBooks

### **Juki 441 Manual Introduction**

In the digital age, access to information has become easier than ever before. The ability to download Juki 441 Manual has revolutionized the way we consume written content. Whether you are a student looking for course material, an avid reader searching for your next favorite book, or a professional seeking research papers, the option to download Juki 441 Manual has opened up a world of possibilities. Downloading Juki 441 Manual provides numerous advantages over physical copies of books and documents. Firstly, it is incredibly convenient. Gone are the days of carrying around heavy textbooks or bulky folders filled with papers. With the click of a button, you can gain immediate access to valuable resources on any device. This convenience allows for efficient studying, researching, and reading on the go. Moreover, the cost-effective nature of downloading Juki 441 Manual has democratized knowledge. Traditional books and academic journals can be expensive, making it difficult for individuals with limited financial resources to access information. By offering free PDF downloads, publishers and authors are enabling a wider audience to benefit from their work. This inclusivity promotes equal opportunities for learning and personal growth. There are numerous websites and platforms where individuals can download Juki 441 Manual. These websites range from academic databases offering research papers and journals to online libraries with an expansive collection of books from various genres. Many authors and publishers also upload their work to specific websites, granting readers access to their content without any charge. These platforms not only provide access to existing literature but also serve as an excellent platform for undiscovered authors to share their work with the world. However, it is essential to be cautious while downloading Juki 441 Manual. Some websites may offer pirated or illegally obtained copies of copyrighted material. Engaging in such activities not only violates copyright laws but also undermines the efforts of authors, publishers, and researchers. To ensure ethical downloading, it is advisable to utilize reputable websites that prioritize the legal distribution of content. When downloading Juki 441 Manual, users should also consider the potential security risks associated with online platforms. Malicious actors may exploit vulnerabilities in unprotected websites to distribute malware or steal personal information. To protect themselves, individuals should ensure their devices have reliable antivirus software installed and validate the legitimacy of the websites they are downloading from. In conclusion, the ability to download Juki 441 Manual has transformed the way we access information. With the convenience, cost-effectiveness, and accessibility it offers, free PDF downloads have become a popular choice for students, researchers, and book lovers worldwide. However, it is crucial to engage in ethical downloading practices and prioritize personal security when utilizing online platforms. By doing so, individuals can make the most of the vast array of free PDF resources available and embark on a journey of

continuous learning and intellectual growth.

### **FAQs About Juki 441 Manual Books**

How do I know which eBook platform is the best for me? Finding the best eBook platform depends on your reading preferences and device compatibility. Research different platforms, read user reviews, and explore their features before making a choice. Are free eBooks of good quality? Yes, many reputable platforms offer high-quality free eBooks, including classics and public domain works. However, make sure to verify the source to ensure the eBook credibility. Can I read eBooks without an eReader? Absolutely! Most eBook platforms offer webbased readers or mobile apps that allow you to read eBooks on your computer, tablet, or smartphone. How do I avoid digital eye strain while reading eBooks? To prevent digital eye strain, take regular breaks, adjust the font size and background color, and ensure proper lighting while reading eBooks. What the advantage of interactive eBooks? Interactive eBooks incorporate multimedia elements, quizzes, and activities, enhancing the reader engagement and providing a more immersive learning experience. Juki 441 Manual is one of the best book in our library for free trial. We provide copy of Juki 441 Manual in digital format, so the resources that you find are reliable. There are also many Ebooks of related with Juki 441 Manual. Where to download Juki 441 Manual online for free? Are you looking for Juki 441 Manual PDF? This is definitely going to save you time and cash in something you should think about. If you trying to find then search around for online. Without a doubt there are numerous these available and many of them have the freedom. However without doubt you receive whatever you purchase. An alternate way to get ideas is always to check another Juki 441 Manual. This method for see exactly what may be included and adopt these ideas to your book. This site will almost certainly help you save time and effort, money and stress. If you are looking for free books then you really should consider finding to assist you try this. Several of Juki 441 Manual are for sale to free while some are payable. If you arent sure if the books you would like to download works with for usage along with your computer, it is possible to download free trials. The free guides make it easy for someone to free access online library for download books to your device. You can get free download on free trial for lots of books categories. Our library is the biggest of these that have literally hundreds of thousands of different products categories represented. You will also see that there are specific sites catered to different product types or categories, brands or niches related with Juki 441 Manual. So depending on what exactly you are searching, you will be able to choose e books to suit your own need. Need to access completely for Campbell Biology Seventh Edition book? Access Ebook without any digging. And by having access to our ebook online or by storing it on your computer, you have convenient answers with Juki 441 Manual To get started finding Juki 441 Manual, you are right to find our website which has a comprehensive collection of books online. Our library is the biggest of these that have

literally hundreds of thousands of different products represented. You will also see that there are specific sites catered to different categories or niches related with Juki 441 Manual So depending on what exactly you are searching, you will be able to choose ebook to suit your own need. Thank you for reading Juki 441 Manual. Maybe you have knowledge that, people have search numerous times for their favorite readings like this Juki 441 Manual, but end up in harmful downloads. Rather than reading a good book with a cup of coffee in the afternoon, instead they juggled with some harmful bugs inside their laptop. Juki 441 Manual is available in our book collection an online access to it is set as public so you can download it instantly. Our digital library spans in multiple locations, allowing you to get the most less latency time to download any of our books like this one. Merely said, Juki 441 Manual is universally compatible with any devices to read.

**Find Juki 441 Manual :**

~~life with mother superior.~~

**life on earth custom core**

life under the sun

**life story of the fish his manners mor**

*lifes mysteries the best of shirley lim*

life of tom horn government scout & interpreter

*lifes highest delight understanding the person & passion of god*

~~lifelong learning the politics of the new learning environment~~

**life or debt a one-week plan for a lifetime of financial freedom**

*life on homicide*

*life science - annotated teachers edition*

*life of prayer and the way to god*

**life line series and the hi-jacket life line series**

~~life love and other mysteries advice and inspiration from americas 1 christian pop group~~

life on the Nile portway large print

**Juki 441 Manual :**

**fats waller discography of american historical recordings** - Feb 15 2023

web fats waller thomas wright fats waller may 21 1904 december 15 1943 was an american jazz pianist organist composer



and singer his innovations in the harlem stride style laid much of the basis for modern jazz piano his best known compositions ain t misbehavin and honeysuckle rose were inducted into the grammy hall of fame

[fats waller wikipedia](#) - Oct 23 2023

web thomas wright fats waller may 21 1904 december 15 1943 was an american jazz pianist organist composer and singer 1 his innovations in the harlem stride style laid much of the basis for modern jazz piano his best known compositions ain t misbehavin and honeysuckle rose were inducted into the grammy hall of

**fats waller youtube music** - Jan 14 2023

web thomas wright fats waller was an american jazz pianist organist composer and singer his innovations in the harlem stride style laid much of the basis for modern jazz piano his best known compositions ain t misbehavin and honeysuckle rose were inducted into the grammy hall of fame in 1984 and 1999 waller copyrighted over 400 songs many

[fats waller encyclopedia com](#) - Apr 17 2023

web may 23 2018 fats waller keyboards player songwriter bandleader singer for the record selected compositions selected discography sources while best remembered for his comic songwriting and musical performances show business legend fats waller was a gifted jazz musician whose greatest contribution to music lay in his brilliant stride piano

**fats waller discography discogs** - Aug 21 2023

web showing 0 0 of 0 explore music from fats waller shop for vinyl cds and more from fats waller on discogs

**fats waller songs death ain t misbehavin biography** - Jul 20 2023

web apr 2 2014 african american pianist fats waller wrote such jazz standards as ain t misbehavin and earned fame for his comedic radio performances in the 1930s updated may 7 2021 photo bettmann getty

[fats waller songs albums reviews bio more allmusic](#) - Mar 16 2023

web dec 15 2012 fats waller a masterful stride pianist a playful vocalist and an influential jazz figure who was enormously popular in the 1930s and 40s read full biography stream or buy active 1910s 1940s born may 21 1904 in new york ny died december 15 1943 in kansas city mo genre jazz styles

[fats waller ain t misbehavin audio youtube](#) - Jun 19 2023

web sep 17 2019 7 years ago ain t misbehavin by fats wallerlisten to fats waller fatswaller lnk to listenydllyrics no one to talk withall by myselfno one to walk withbut i m

**biography of fats waller jazz artist thoughtco** - May 18 2023

web aug 28 2019 a jazz pianist performer and composer fats waller was born on may 21 1904 in new york city he achieved extraordinary fame as a jazz artist when the music form was still fledgling he used comedy to appeal to the masses writing hit songs such as ain t misbehavin and appearing in the 1943 film stormy weather

**fats waller biography songs facts britannica** - Sep 22 2023

web oct 25 2023 fats waller born may 21 1904 new york city new york u s died december 15 1943 kansas city missouri u s american pianist and composer who was one of the few outstanding jazz musicians to win wide commercial fame though this was achieved at a cost of obscuring his purely musical ability under a cloak of broad comedy

**machine vice camd lab uniport edu ng** - Jul 05 2022

web video tutorial for machine vice camd assembly by sir mvit student sachin mm for 3rd and 4th sem mech in vtu computer aided machine drawing laboratory manual me2257

[machine vice camd lab uniport edu ng](#) - Dec 10 2022

web may 28 2023 machine vice camd lab 2 7 downloaded from uniport edu ng on may 28 2023 by guest and geographic location of over 135 000 u s companies are included

**machine vice 3d cad model library grabcad** - Oct 08 2022

web machine vice camd lab machine vice camd lab 2 downloaded from assets ceu social on 2021 12 27 by guest si system of units and each chapter has been provided with

*machine vice camd lab assets ceu social* - Sep 07 2022

web mar 5 2022 these are used to clamp workpiece to a machine or a table the computer aided design cad files and all associated content posted to this website are created

*machine vice camd lab pdf full pdf api2 igetweb* - Nov 09 2022

web robert c juvinall 2020 06 23 fundamentals of machine component design presents a thorough introduction to the concepts and methods essential to mechanical engineering

**third semester b e degree examination** - Jan 11 2023

web computer aided machine drawing time 3 hours max marks 80 note 1 answer any one question from each of the parts a b and c 2 use first angle projection

*machine vice 3d cad model library grabcad* - Aug 06 2022

web may 2 2023 machine vice camd lab 1 1 downloaded from uniport edu ng on may 2 2023 by guest machine vice camd lab yeah reviewing a book machine vice camd lab

**machine vice camd lab help environment harvard edu** - May 15 2023

web machine vice camd lab what you in the same way as to read universities handbook 2010 the michigan journal 1987 computer aided engineering graphics as per the

**machine vice camd lab secure4 khronos** - Jan 31 2022

web computer aided machine drawing lab computer aided machine drawing camd machine tools lab manual in case of shaper

the job is rigidly held in a suitable

**machine vice 3d cad model library grabcad** - May 03 2022

web sep 9 2023 machine vice camd lab 1 5 downloaded from uniport edu ng on september 9 2023 by guest machine vice camd lab if you ally need such a referred machine

camd lab doc document - Jul 17 2023

web nov 8 2014 procedure 1 the drawings of body movable jaw jaw grip screw m6 screw rod washer nut lock nut and clamping plate are studied 2 3d models of all the parts

*camd manual pdf document* - Sep 19 2023

web sep 11 2015 kiot mech camd lab 63 kiot mech camd lab 64 kiot mech camd lab 65 result thus the assembly drawing machine vice is

*computer aided machine drawing lab manual 18me36a* - Aug 18 2023

web 2 machine drawing n d bhat v m panchal charoratar publishing house 2005 reference books 1 a text book of computer aided machine drawing s trymbaka murthy cbs

machine vice camd lab assets docseducation - Jun 04 2022

web apr 1 2023 machine vice 3d cad model library grabcad join 11 790 000 engineers with over 5 620 000 free cad files join the community the cad files and renderings

**machine vice 3d cad model library grabcad** - Apr 14 2023

web sep 20 2023 a machine vice is a clamping device used to securely hold the object when operating a machine tool such as a milling machine or drill press it is designed to hold

**machine vice camd lab uniport edu ng** - Feb 12 2023

web jun 14 2023 machine vice camd lab 2 9 downloaded from uniport edu ng on june 14 2023 by guest a portfolio of community college initiatives in rural economic

*machine vice 3d cad model library grabcad* - Jun 16 2023

web may 10 2020 categories educational machine design tools tags machinevice tool mechanical vice vtu cad camd solidedge 3 likes

*machine vice camd lab uniport edu ng* - Apr 02 2022

web jun 7 2023 machine vice camd lab for their preferred books later this machine vice camd lab but end up in damaging downloads along with tutorials you could take

**machine vice camd lab secure4 khronos** - Dec 30 2021

web jun 14 2023 bugs inside their tablet access the machine vice camd lab join that we have the funding for here and check

out the link you could buy instruction machine vice

*machine vice camd lab secure4 khronos* - Nov 28 2021

web jun 6 2023 the digital documents of this machine vice camd lab by online we settle for machine vice camd lab and various books selections from fictions to scientific

**machine vice camd lab secure4 khronos** - Mar 01 2022

web jun 7 2023 the machine vice camd lab it is entirely basic then at present we extend the associate to buy and create bargains to acquire and install machine vice camd lab

**machine vice camd lab konnoi** - Oct 28 2021

*machine vice 3d cad model library grabcad* - Mar 13 2023

web feb 14 2022 a machine vice is a clamping device used to hold a workpiece securely when operating a machine tool such as a drill press or milling machine designed by

*tapas kochbuch die 80 besten tapas rezepte für die leckeren* - Jun 13 2023

web tapas kochbuch die 80 besten tapas rezepte für die leckeren spanischen snacks und beilagen vegetarische tapas vegan mit fleisch fisch oder meeresfrüchten zum selberrichten bonus salsas für tapas ebook die küchenakademie amazon de kindle shop bücher kochen genießen kochen nach ländern dem autor folgen die

tapas kochbuch 100 leckere traditionelle tapas rezepte aus - Dec 07 2022

web tapas kochbuch 100 leckere traditionelle tapas rezepte aus spanien inklusive vegetarischer und veganer rezepte sowie dips kindle ausgabe von simple cookbooks autor format kindle ausgabe 52 sternbewertungen alle formate und editionen anzeigen kindle 2 99 lies mit kostenfreier app taschenbuch 8 90 1 gebraucht ab

*tapas spanische rezepte* - Jun 01 2022

web schnelle und köstliche rezepte aus spanien datenschutz impressum tapas rezepte aus spanien kochbücher Über tapas de bienvenidos willkommen links werbung auf tapas de fotos fotolia sofia rohrmann spanisches generalkonsulat

handelsabteilung düsseldorf die spanische küche entdecken rezepte mit thunfisch

*tapas die 101 besten rezepte aus spaniens tapas bars* - Jan 08 2023

web tapas die 101 besten rezepte aus spaniens tapas bars dunlop fiona isbn 9783884728475 kostenloser versand für alle bücher mit versand und verkauf duch amazon

tapas kochbuch die 80 besten tapas rezepte für die leckeren - Dec 27 2021

web 80 die autoren deutsche tapas tapas die 101 besten rezepte aus spaniens tapas bars spanische tapas serrano oliven manchego uvm 05 2020 tapas kochbuch die aktuell beliebtesten produkte kochbuch deutsche tapas rezepte schweizer tapas

**tapas kochbuch die 80 besten tapas rezepte für die leckeren** - Aug 15 2023

web ein kleiner auszug von dem was sie erwartet 80 exklusive tapas rezepte direkt von spanischen meisterköchen großartige rezepte für fleisch aller art rind schwein und vieles mehr erstklassige rezepte für fisch und meeresfrüchte exzellente und vegetarische rezepte für gemüse aller art

amazon com tapas kochbuch die 80 besten tapas rezepte für die - Feb 09 2023

web amazon com tapas kochbuch die 80 besten tapas rezepte für die leckeren spanischen snacks und beilagen vegetarische tapas vegan mit fleisch fisch oder meeresfrüchten bonus salsas für tapas german edition ebook die küchenakademie tienda kindle

13 authentische spanische kochbücher mit tapas und mehr - Aug 03 2022

web dec 3 2022 bestseller nr 1 spanisches kochbuch die leckersten rezepte der spanischen küche für jeden geschmack und anlass inkl tapas spezialitäten getränken desserts perez isabelle autor 8 90 eur bei amazon anschauen bestseller nr 2 spanisch kochen spanische spezialitäten atemberaubend einfach selbstgemacht

tapas tapas 120 rezepte aus der spanischen küche tapito de - Oct 05 2022

web tapas 120 rezepte aus der spanischen küche dies themenkochbuch ist ein küchenschatz für alle die einen spanischen abend planen und zur tapas party einladen es liefert aber darüber hinaus ganz allgemein tolle anregungen für kreative vorspeisen fingerfood und snacks

**tapas selber machen einfache und schnelle rezepte** - Jan 28 2022

web das spanische fingerfood kannst du schnell und einfach selber machen zudem macht das unkomplizierte teilen der kleinen feinen häppchen einfach spass damit auch dein tapas abend zum erfolg wird haben wir dir hier unsere besten tipps und rezepte zusammengestellt

**tapas tapas kochbücher sowie spanische kochbücher** - Nov 06 2022

web tapas kochbücher gute tapas kochbücher sowie kochbücher rund um die spanische küche und fingerfood stellt tapito de auf dieser empfehlungsseite vor bei der zubereitung von tapas und anderen spanischen gerichten ist viel kreativität gefragt dinner scout - Mar 30 2022

web dinner scout dinner scout

**suchergebnis auf amazon de für tapas kochbuch** - Apr 11 2023

web tapas kochbuch 100 leckere traditionelle tapas rezepte aus spanien inklusive vegetarischer und veganer rezepte sowie dips von simple cookbooks 2 juli 2021

**tapas kochbuch die 80 besten tapas rezepte für die leckeren** - Mar 10 2023

web die 136 besten bilder zu spanische tapas rezepte tapas die 101 besten rezepte aus spaniens tapas bars kochbuch

schwarzwälder tapas schwarzwälder süße minis die 20 besten bilder von tapas und antipasti in 2020 05 2020 tapas kochbuch die beliebtesten produkte im test spanisches

[die besten tapas rezepte ichkoche at](#) - Apr 30 2022

web die besten tapas rezepte spanische kleine häppchen zum einfachen nachkochen zu hause hier klicken und gleich nachkochen

**die 18 besten tapas kochbücher kochbuchwelt de** - Jul 14 2023

web nov 20 2020 tapas kochbuch bestenliste für fans der mediterranen küche im angebot günstige tapas kochbücher und tapas rezepte hier die bestenliste für den suchbegriff tapas kochbuch anfänger top tipps für die suche nach tapas kochbuch vegan weitere spannende kochbücher

[spanische tapas die leckersten häppchen der welt koch mit](#) - Sep 04 2022

web jun 23 2023 zubereitung spanische tapas da wir euch hier einen groben Überblick über die verschiedenen rezepte verschaffen wollen präsentieren wir euch 5 klassiker der spanischen tapas die meisten tapas sind übrigens ganz einfach herzustellen und können auch in massen für partys oder geburtstagsfeiern ohne mühe gemacht werden

**die zehn besten tapas rezepte daskochrezept de** - Feb 26 2022

web sep 29 2022 wir haben die besten zehn tapas rezepte zusammengestellt tapas natürlich spanier essen die vielseitigen häppchen traditionell im stehen zu einem glas sherry

**tapas kochbuch die 80 besten tapas rezepte für die leckeren** - May 12 2023

web tapas kochbuch die 80 besten tapas rezepte für die leckeren spanischen snacks und beilagen vegetarische tapas vegan mit fleisch fisch oder bonus salsas für tapas german edition die küchenakademie amazon sg books

**kochbuch deutsche tapas** - Jul 02 2022

web die buchserie wurde 2019 und 2021 erneut bei den internationalen gourmand world cookbook awards zu beste kochbuchserie der welt gewählt die buchserie besteht ebenso aus den büchern schwarzwälder tapas schwarzwälder süße minis und schwarzwälder tapas2