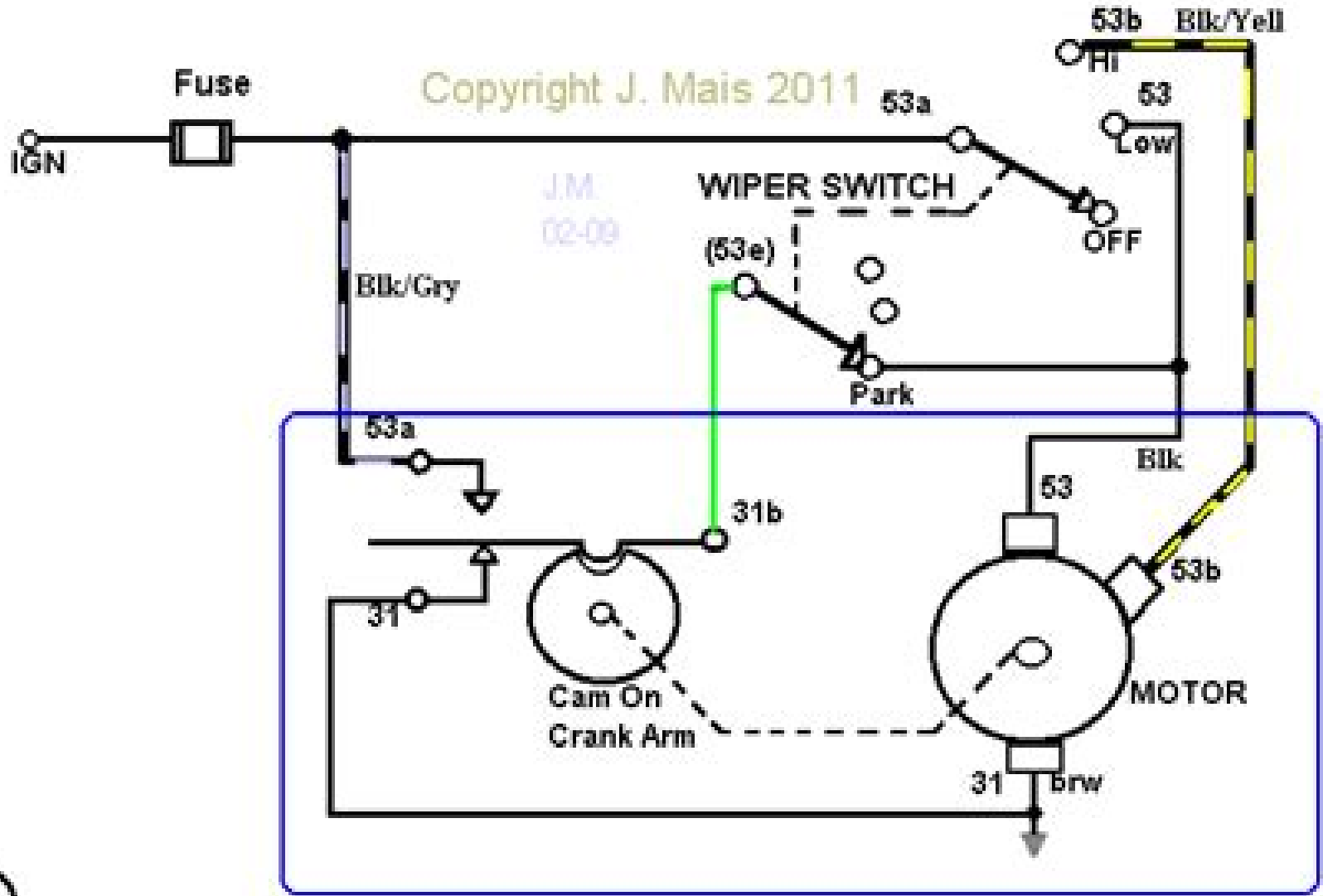


# WIPER MOTOR WIRING

(Typical 12 V 2-speed)

W/Colum Wiper Switch



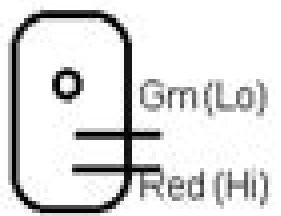
J.M.  
02-09

WIPER SWITCH

Cam On  
Crank Arm

MOTOR

Motor  
Internal  
Wiring



# How To Wire Wiper Motor

**BM King**

A decorative graphic element consisting of a light blue horizontal bar with a rounded right end, and a red circular glow behind it.

## **How To Wire Wiper Motor:**

## Reviewing **How To Wire Wiper Motor**: Unlocking the Spellbinding Force of Linguistics

In a fast-paced world fueled by information and interconnectivity, the spellbinding force of linguistics has acquired newfound prominence. Its capacity to evoke emotions, stimulate contemplation, and stimulate metamorphosis is actually astonishing. Within the pages of "**How To Wire Wiper Motor**," an enthralling opus penned by a highly acclaimed wordsmith, readers set about an immersive expedition to unravel the intricate significance of language and its indelible imprint on our lives. Throughout this assessment, we shall delve into the book's central motifs, appraise its distinctive narrative style, and gauge its overarching influence on the minds of its readers.

<https://staging.conocer.cide.edu/About/virtual-library/HomePages/les%20jumeaux%20fois%20ou%20fois%20bb%20ndeg.pdf>

### **Table of Contents How To Wire Wiper Motor**

1. Understanding the eBook How To Wire Wiper Motor
  - The Rise of Digital Reading How To Wire Wiper Motor
  - Advantages of eBooks Over Traditional Books
2. Identifying How To Wire Wiper Motor
  - Exploring Different Genres
  - Considering Fiction vs. Non-Fiction
  - Determining Your Reading Goals
3. Choosing the Right eBook Platform
  - Popular eBook Platforms
  - Features to Look for in an How To Wire Wiper Motor
  - User-Friendly Interface
4. Exploring eBook Recommendations from How To Wire Wiper Motor
  - Personalized Recommendations
  - How To Wire Wiper Motor User Reviews and Ratings
  - How To Wire Wiper Motor and Bestseller Lists

5. Accessing How To Wire Wiper Motor Free and Paid eBooks
  - How To Wire Wiper Motor Public Domain eBooks
  - How To Wire Wiper Motor eBook Subscription Services
  - How To Wire Wiper Motor Budget-Friendly Options
6. Navigating How To Wire Wiper Motor eBook Formats
  - ePub, PDF, MOBI, and More
  - How To Wire Wiper Motor Compatibility with Devices
  - How To Wire Wiper Motor Enhanced eBook Features
7. Enhancing Your Reading Experience
  - Adjustable Fonts and Text Sizes of How To Wire Wiper Motor
  - Highlighting and Note-Taking How To Wire Wiper Motor
  - Interactive Elements How To Wire Wiper Motor
8. Staying Engaged with How To Wire Wiper Motor
  - Joining Online Reading Communities
  - Participating in Virtual Book Clubs
  - Following Authors and Publishers How To Wire Wiper Motor
9. Balancing eBooks and Physical Books How To Wire Wiper Motor
  - Benefits of a Digital Library
  - Creating a Diverse Reading Collection How To Wire Wiper Motor
10. Overcoming Reading Challenges
  - Dealing with Digital Eye Strain
  - Minimizing Distractions
  - Managing Screen Time
11. Cultivating a Reading Routine How To Wire Wiper Motor
  - Setting Reading Goals How To Wire Wiper Motor
  - Carving Out Dedicated Reading Time
12. Sourcing Reliable Information of How To Wire Wiper Motor
  - Fact-Checking eBook Content of How To Wire Wiper Motor
  - Distinguishing Credible Sources
13. Promoting Lifelong Learning

- Utilizing eBooks for Skill Development
  - Exploring Educational eBooks
14. Embracing eBook Trends
- Integration of Multimedia Elements
  - Interactive and Gamified eBooks

### **How To Wire Wiper Motor Introduction**

In this digital age, the convenience of accessing information at our fingertips has become a necessity. Whether its research papers, eBooks, or user manuals, PDF files have become the preferred format for sharing and reading documents. However, the cost associated with purchasing PDF files can sometimes be a barrier for many individuals and organizations. Thankfully, there are numerous websites and platforms that allow users to download free PDF files legally. In this article, we will explore some of the best platforms to download free PDFs. One of the most popular platforms to download free PDF files is Project Gutenberg. This online library offers over 60,000 free eBooks that are in the public domain. From classic literature to historical documents, Project Gutenberg provides a wide range of PDF files that can be downloaded and enjoyed on various devices. The website is user-friendly and allows users to search for specific titles or browse through different categories. Another reliable platform for downloading How To Wire Wiper Motor free PDF files is Open Library. With its vast collection of over 1 million eBooks, Open Library has something for every reader. The website offers a seamless experience by providing options to borrow or download PDF files. Users simply need to create a free account to access this treasure trove of knowledge. Open Library also allows users to contribute by uploading and sharing their own PDF files, making it a collaborative platform for book enthusiasts. For those interested in academic resources, there are websites dedicated to providing free PDFs of research papers and scientific articles. One such website is Academia.edu, which allows researchers and scholars to share their work with a global audience. Users can download PDF files of research papers, theses, and dissertations covering a wide range of subjects. Academia.edu also provides a platform for discussions and networking within the academic community. When it comes to downloading How To Wire Wiper Motor free PDF files of magazines, brochures, and catalogs, Issuu is a popular choice. This digital publishing platform hosts a vast collection of publications from around the world. Users can search for specific titles or explore various categories and genres. Issuu offers a seamless reading experience with its user-friendly interface and allows users to download PDF files for offline reading. Apart from dedicated platforms, search engines also play a crucial role in finding free PDF files. Google, for instance, has an advanced search feature that allows users to filter results by file type. By specifying the file type as "PDF," users can find websites that offer free PDF downloads on a specific topic. While downloading How To Wire Wiper Motor free PDF files is convenient, its

important to note that copyright laws must be respected. Always ensure that the PDF files you download are legally available for free. Many authors and publishers voluntarily provide free PDF versions of their work, but its essential to be cautious and verify the authenticity of the source before downloading How To Wire Wiper Motor. In conclusion, the internet offers numerous platforms and websites that allow users to download free PDF files legally. Whether its classic literature, research papers, or magazines, there is something for everyone. The platforms mentioned in this article, such as Project Gutenberg, Open Library, Academia.edu, and Issuu, provide access to a vast collection of PDF files. However, users should always be cautious and verify the legality of the source before downloading How To Wire Wiper Motor any PDF files. With these platforms, the world of PDF downloads is just a click away.

### **FAQs About How To Wire Wiper Motor Books**

1. Where can I buy How To Wire Wiper Motor books? Bookstores: Physical bookstores like Barnes & Noble, Waterstones, and independent local stores. Online Retailers: Amazon, Book Depository, and various online bookstores offer a wide range of books in physical and digital formats.
2. What are the different book formats available? Hardcover: Sturdy and durable, usually more expensive. Paperback: Cheaper, lighter, and more portable than hardcovers. E-books: Digital books available for e-readers like Kindle or software like Apple Books, Kindle, and Google Play Books.
3. How do I choose a How To Wire Wiper Motor book to read? Genres: Consider the genre you enjoy (fiction, non-fiction, mystery, sci-fi, etc.). Recommendations: Ask friends, join book clubs, or explore online reviews and recommendations. Author: If you like a particular author, you might enjoy more of their work.
4. How do I take care of How To Wire Wiper Motor books? Storage: Keep them away from direct sunlight and in a dry environment. Handling: Avoid folding pages, use bookmarks, and handle them with clean hands. Cleaning: Gently dust the covers and pages occasionally.
5. Can I borrow books without buying them? Public Libraries: Local libraries offer a wide range of books for borrowing. Book Swaps: Community book exchanges or online platforms where people exchange books.
6. How can I track my reading progress or manage my book collection? Book Tracking Apps: Goodreads, LibraryThing, and Book Catalogue are popular apps for tracking your reading progress and managing book collections. Spreadsheets: You can create your own spreadsheet to track books read, ratings, and other details.
7. What are How To Wire Wiper Motor audiobooks, and where can I find them? Audiobooks: Audio recordings of books,

perfect for listening while commuting or multitasking. Platforms: Audible, LibriVox, and Google Play Books offer a wide selection of audiobooks.

8. How do I support authors or the book industry? Buy Books: Purchase books from authors or independent bookstores. Reviews: Leave reviews on platforms like Goodreads or Amazon. Promotion: Share your favorite books on social media or recommend them to friends.
9. Are there book clubs or reading communities I can join? Local Clubs: Check for local book clubs in libraries or community centers. Online Communities: Platforms like Goodreads have virtual book clubs and discussion groups.
10. Can I read How To Wire Wiper Motor books for free? Public Domain Books: Many classic books are available for free as they're in the public domain. Free E-books: Some websites offer free e-books legally, like Project Gutenberg or Open Library.

### **Find How To Wire Wiper Motor :**

#### **les jumeaux fois ou fois bb ndeg**

~~les habits des franc macedilons gants tabliers et autres vecirctements~~

les femmes en blanc tome leacutesion eacutetrangegravere

les gentlemen seacuteducteurs le secret disabelle les gentlements seacuteducteurs

les juifs agrave paris agrave la belle eacutepoque

les indeacutesirables et autres contes fantastiques

#### **les eacutetoiles mortes les pulsars tome**

les loups de la pleine lune

#### **les frontiagraves des eacutetats de lameacuterique quiz me on t**

les secrets du monde chinois

les mille et une nuits tome i

#### **les oceacuteans bilan et perspectives geacuteographie**

*les robots sontils vraiment nos amis*

les phobies chez lenfant impasse ou passage

#### **les heacuteritiers de lineacutegaliteacute agrave nanterre une expeacuterience de theacuteacirtredocumentaire**



## How To Wire Wiper Motor :

**123 ans de cinéma fantastique et de sf essais et données pour une** - Aug 15 2023

web 123 ans de cinéma fantastique et de sf essais et données pour une histoire du cinéma fantastique 1895 2019 ce livre existe aussi en 2 volumes revu et corrigé broché kindle relié cliquez1 cliquez2 voir l index à la

[123 ans de cina c ma fantastique et de sf essais copy](#) - Feb 26 2022

web jun 14 2023 123 ans de cina c ma fantastique et de sf essais 2 6 downloaded from uniport edu ng on june 14 2023 by guest a century of artists books riva castleman 1997 09 published to accompany the 1994 exhibition at the museum of modern art new york this book constitutes the most extensive survey of modern illustrated books to be offered

*123 ans de cina c ma fantastique et de sf essais copy* - Jan 28 2022

web may 19 2023 123 ans de cina c ma fantastique et de sf essais 2 8 downloaded from uniport edu ng on may 19 2023 by guest on the state pierre bourdieu 2018 05 18 what is the nature of the modern state how did it come into being and what are the characteristics of this distinctive field of power that has

**livre 123 ans de cinéma fantastique et de sf livres sur le** - May 12 2023

web ce livre contient des études fondamentales sur le fantastique et la sf au cinéma une réflexion pour une histoire du cinéma fantastique des études thématiques une taxinomie et plus de 2000 chroniques de films soit 374 pages sur les 708 pages du livre

**123 ans de cina c ma fantastique et de sf essais daniel** - Dec 07 2022

web the art of giorgio de chirico max ernst and alberto giacometti in mind foster develops a theory of the surrealist image as a working over of a primal fantasy this leads him finally to propose as a summa of surrealism a body of work often shunted to its margins the dolls of hans bellmer so many traumatic tableaux that point to difficult

*123 ans de cina c ma fantastique et de sf essais pdf* - Jun 01 2022

web 123 ans de cina c ma fantastique et de sf essais but end taking place in harmful downloads rather than enjoying a good book when a mug of coffee in the afternoon on the other hand they juggled considering some harmful virus inside their computer 123 ans de cina c ma fantastique et de sf

**123 ans de cina c ma fantastique et de sf essais philip pullman** - Feb 09 2023

web 123 ans de cina c ma fantastique et de sf essais this is likewise one of the factors by obtaining the soft documents of this 123 ans de cina c ma fantastique et de sf essais by online you might not require more time to spend to go to the book commencement as competently as search for them

*123 ans de cina c ma fantastique et de sf essais pdf* - Mar 30 2022

web aug 17 2023 123 ans de cina c ma fantastique et de sf you could buy lead 123 ans de cina c ma fantastique et de sf

essais pdf or get it as soon as feasible you it aims to show how l ecume des jours l automne a pekin l herbe rouge and l arrache coeur form a unified and coherent tetralogy by establishing close links between

**123 ans de cina c ma fantastique et de sf essais pdf** - Aug 03 2022

web jul 28 2023 123 ans de cina c ma fantastique et de sf essais is available in our book collection an online access to it is set as public so you can get it instantly our book servers saves in multiple countries allowing you to get the most less latency time to download any of our books like this one

123 ans de cina c ma fantastique et de sf essais oxford - Mar 10 2023

web 123 ans de cina c ma fantastique et de sf essais 123 ans de cina c ma fantastique et de sf essais 2 downloaded from old restorativejustice org on 2020 09 24 by guest implications of this rewriting process such is the question addressed by this detailed study of several rewritings of eugène sue s mystères de paris 1842 43 produced in the

**123 ans de cina c ma fantastique et de sf essais joseph** - Nov 06 2022

web ans de cina c ma fantastique et de sf essais as one of the most energetic sellers here will totally be accompanied by the best options to review french cinema in the 1980s phil

**123 ans de cina c ma fantastique et de sf essais pdf** - Jul 02 2022

web in some cases you likewise reach not discover the message 123 ans de cina c ma fantastique et de sf essais that you are looking for it will no question squander the time

*123 ans de cina c ma fantastique et de sf essais pdf wrbb neu* - Oct 05 2022

web 123 ans de cina c ma fantastique et de sf essais 1 123 ans de cina c ma fantastique et de sf essais getting the books 123 ans de cina c ma fantastique et de sf essais now is not type of challenging means you could not abandoned going as soon as ebook accretion or library or borrowing from your associates to way in them this is an

*123 ans de cina c ma fantastique et de sf essais* - Jun 13 2023

web 123 ans de cina c ma fantastique et de sf essais guerra nucleare jet e navi militari in taiwan contro la cina e jul 12 2020

web apr 6 2023 la tensione in taiwan che coinvolge cina stati uniti e ovviamente la stessa taiwan non è certo una novità ma nelle ultime ore dopo la visita della presidente di taipei tsai negli usa si è cina c ma et

*123 ans de cinéma fantastique et de sf essais et données pour une* - Sep 04 2022

web jun 11 2023 123 ans de cinéma fantastique et de sf essais et données pour une histoire du cinéma fantastique 1895 2019 by alain pelosato le site de tous les amateurs du cinéma fantastique d horreur et de

**123 ans de cin ma fantastique et de sf essais et donn es pour une** - Jan 08 2023

web 123 ans de cin ma fantastique et de sf book read reviews from world s largest community for readers voici le dernier n de l auteur 123 ans de cin ma

**meilleurs films fantastique de l année 2003 allociné** - Dec 27 2021

web découvrez le classement des meilleurs films fantastique de l année 2003 sur allociné à partir de 8 ans retrouvez tous les horaires et infos de votre cinéma sur le numéro allociné

**123 ans de cinéma fantastique et de sf essais et données pour une** - Jul 14 2023

web une édition revue et augmentée ce livre contient des études fondamentales sur le fantastique et la sf au cinéma une réflexion pour une histoire du cinéma fantastique des études thématiques une taxinomie et plus de 2000 chroniques de films soit 374 pages sur les 708 pages du livre

**123 ans de cina c ma fantastique et de sf essais copy** - Apr 11 2023

web 123 ans de cina c ma fantastique et de sf essais les voyages de gulliver piece fantastique en quatre actes et trente tableaux par mm clairville albert monnier et ernest blum feb 07 2023 fiction fantastique apr 28 2022 cinq ans ont passé et j ai compris la vérité la plus importante tant que vous nourrissez les

**free 123 ans de cina c ma fantastique et de sf essais** - Apr 30 2022

web apr 4 2023 123 ans de cina c ma fantastique et de sf essais getting the books 123 ans de cina c ma fantastique et de sf essais now is not type of challenging means you could not single handedly going taking into account books increase or library or borrowing from your contacts to gain access to them this is an no question easy means

**silencio silence hush hush trilogy spanish edition** - Nov 27 2021

web may 12 2014 silencio silence hush hush trilogy spanish edition mass market paperback may 12 2014 spanish edition by becca fitzpatrick author 4 7 889

**silencio saga hush hush 3 spanish edition by becca fitzpatrick** - Dec 29 2021

web silencio hush hush 3 hush hush saga spanish edition hush hush spanish edition fitzpatrick becca silencio saga hush hush 3 spanish edition silencio silence by

**silencio saga hush hush 3 spanish edition kindle edition** - Jun 03 2022

web silencio saga hush hush 3 spanish edition ebook fitzpatrick becca amazon de kindle store  
*editions of the complete hush hush saga hush hush* - Jul 04 2022

web oct 23 2012 editions for the complete hush hush saga hush hush crescendo silence finale 144247372x hardcover published in 2012 hush hush hush

**silencio saga hush hush 3 spanish edition kindle edition** - Jun 15 2023

web silencio saga hush hush 3 spanish edition ebook fitzpatrick becca amazon ca books

***silencio saga hush hush 3 5 de descuento fnac*** - Mar 12 2023

web nov 15 2018 ficción infantil ficción juvenil fantasía romántica edad de interés a partir de 14 años sku 1711474

publicidad publicidad 5 terminado silencio saga

[silencio silence hush hush 3 paperback volumes bookcafe](#) - Feb 28 2022

web this is book number 3 in the hush hush series 1 hush hush spanish edition paperback 14 95 2 crescendo spanish edition hush hush 2 paperback

[silencio saga hush hush 3 penguin libros](#) - Feb 11 2023

web pertenece a la serie saga hush hush descripción patch y nora han superado los secretos que se escondían en el oscuro pasado de patch han atravesado mundos

**silencio saga hush hush 3 paperback 31 october 2018** - Apr 01 2022

web select the department you want to search in

**silencio saga hush hush 3 by becca fitzpatrick google play** - Apr 13 2023

web silencio saga hush hush 3 ebook written by becca fitzpatrick read this book using google play books app on your pc android ios devices download for offline reading

**silencio saga hush hush 3 spanish edition kindle edition** - Jan 10 2023

web silencio saga hush hush 3 spanish edition ebook fitzpatrick becca amazon in kindle store

*silencio saga hush hush 3 spanish edition kindle edition* - Aug 17 2023

web silencio saga hush hush 3 spanish edition ebook fitzpatrick becca amazon com au kindle store

**silencio hush hush 3 hush hush saga spanish edition by** - May 14 2023

web buy silencio hush hush 3 hush hush saga spanish edition by becca fitzpatrick 2014 05 12 by isbn from amazon s book store everyday low prices and free

*hush hush spanish edition amazon com* - Oct 07 2022

web apr 23 2019 becca fitzpatrick s hush hush saga including hush hush crescendo silence and finale all debuted as new york times best sellers she graduated college

[silencio saga hush hush 3 apple books](#) - Dec 09 2022

web feb 22 2014 patch y nora han superado los secretos que se escondían en el oscuro pasado de patch han atravesado mundos irreconciliables se han enfrentado a

[silencio saga hush hush 3 spanish edition kindle](#) - Oct 19 2023

web feb 22 2014 silencio saga hush hush 3 spanish edition kindle edition by fitzpatrick becca download it once and read it on your kindle device pc phones or

**silencio hush hush saga series 3 en** - Jul 16 2023

web may 30 2014 hush hush saga series 3 edition description spanish language edition pages 412 sales rank 931 580

product dimensions 4 90 w x 7 40 h x

*silencio saga hush hush 3 spanish edition ebook amazon in* - Jan 30 2022

web silencio saga hush hush 3 spanish edition ebook fitzpatrick becca amazon in kindle ☐ ☐ ☐

**silencio hush hush 3 hush hush saga spanish edition by** - May 02 2022

web silencio hush hush 3 hush hush saga spanish edition by becca fitzpatrick

**amazon com customer reviews silencio saga hush hush 3** - Nov 08 2022

web find helpful customer reviews and review ratings for silencio saga hush hush 3 spanish edition at amazon com read honest and unbiased product reviews from our

silencio silence hush hush by fitzpatrick becca - Sep 18 2023

web apr 23 2019 silencio silence hush hush spanish edition paperback april 23 2019 spanish edition by becca fitzpatrick author 4 7 4 7 out of 5 stars 892 ratings

**silencio saga hush hush 3 spanish edition kindle edition** - Sep 06 2022

web feb 22 2014 amazon co jp silencio saga hush hush 3 spanish edition ebook fitzpatrick becca foreign language books

**silencio hush hush 3 hush hush saga spanish edition by** - Aug 05 2022

web silencio hush hush 3 hush hush saga spanish edition by becca fitzpatrick isbn 13 9788498729344 isbn 10 8498729343 paperback ediciones b isbn 13 978

pons reise sprachführer chinesischesprachen lernen chinesischesprachen - Apr 11 2023

web verstehen und verstanden werden mit dem wörterbuch chinesischesprachen deutsch und deutsch chinesischesprachen kommen sie überall sicher durch wie die einheimischen mit insider tipps verstehen sie land und leute besser

**pons reisewörterbuch chinesischesprachen 9783125181281 boeken** - Feb 26 2022

web pons reisewörterbuch chinesischesprachen paperback ga naar zoeken ga naar hoofdinhoud lekker winkelen zonder zorgen gratis verzending vanaf 20 bezorging dezelfde dag s avonds of in het weekend gratis retourneren select ontdek nu

pons reisewörterbuch englisch reisewörterbuch und - Dec 27 2021

web 5 0 von 5 sternern pons reisewörterbuch kundenrezension aus deutschland am 23 september 2011 das wörterbuch ist sehr informativ und gut gestaltet alles ist übersichtlich auch die cd dazu ist gut jedoch durch das kleinere format nicht in 9783125181021 pons reisewörterbuch chinesischesprachen - Dec 07 2022

web abebooks com pons reisewörterbuch chinesischesprachen 9783125181021 and a great selection of similar new used and collectible books available now at great prices 9783125181021 pons reisewörterbuch chinesischesprachen 312518102x abebooks

**chinesischesprachen wörterbücher und sprachkurse online kaufen pons** - Jul 02 2022

web buch pons grammatik kurz bündig chinesischesprachen die beliebteste nachschlagegrammatik mit online Übungen 14 95 buch

pons bildwörterbuch chinesisches 16 000 wörter und wendungen mit landestypischem sonderheft 12 95 buch pons zeige wörterbuch mit dem zeigefinger rund um die welt

pons reise-wörterbuch chinesisches gebrauchtes buch eurobuch - Jun 01 2022

web pons reise-wörterbuch chinesisches finden sie alle bücher von wu shu hsiung hoss ulrich bei der büchersuchmaschine eurobuch.com können sie antiquarische und neubücher vergleichen und sofort zum bestpreis bestellen 3125182417 pu stuttgart dresden ernst klett verlag für wissen und bildung 285

**chinesisches pons reise-wörterbuch bücher.de** - Oct 05 2022

web im richtigen moment das richtige wort wenn es darauf ankommt haben sie den wichtigen wortschatz griffbereit in thematischen kapiteln oder im wörterbuch teil

**pons Übersetzer im app store** - Apr 30 2022

web der kostenlose Übersetzer von pons schnell und zuverlässig übersetzen in über 50 wörterbüchern von pons und einer textübersetzung für insgesamt 40 sprachen der Übersetzer bietet lösungen für jede suchanfrage die app umfasst die pons wörterbücher für arabisch bulgarisch chinesisches deutsch e

**pons reise-wörterbuch chinesisches bücher gebraucht** - Mar 30 2022

web pons reise-wörterbuch chinesisches bücher gebraucht antiquarisch neu kaufen preisvergleich käuferschutz wir bücher wörterbuch deutsch chinesisches Übersetzung pons - Jun 13 2023

web Übersetzung deutsch chinesisches für wörterbuch im pons online wörterbuch nachschlagen gratis vokabeltrainer verbtabelle aussprachefunktion

*pons reise-wörterbuch chinesisches isbn 978 3 12 518128 1* - Nov 06 2022

web pons reise-wörterbuch chinesisches isbn 978 3 12 518128 1 alles versandkostenfrei bestellen lehmanns.de

pons reise-wörterbuch chinesisches alte ausgaben - Feb 09 2023

web im richtigen moment das richtige wort wenn es darauf ankommt haben sie den wichtigen wortschatz griffbereit und in thematischen kapiteln oder im wörterbuch teil mit beispielen formulieren sie sie

**pons reise-wörterbuch chinesisches poche collectif fnac** - Sep 04 2022

web pons reise-wörterbuch chinesisches collectif klett libri des milliers de livres avec la livraison chez vous en 1 jour ou en magasin avec 5 de réduction

**pons reise-wörterbuch chinesisches amazon.de** - May 12 2023

web pons reise-wörterbuch chinesisches hoss u wu s isbn 9783125182417 kostenloser versand für alle bücher mit versand und verkauf durch amazon

*pons pocket sprachführer türkisch alles für die reise mit* - Jan 28 2022

web taschenbuch 270 seiten isbn 10 312518567x isbn 13 978 3125185678 lesealter ab 12 jahren abmessungen 8 2 x 1 6 x 11 3 cm amazon bestseller rang nr 391 094 in bücher siehe top 100 in bücher nr 25 in türkisch deutsch wörterbücher nr 436 in sprachführer für reisen nr 79 939 in

*pons Übersetzungen die nummer 1 für deutsch chinesischesch* - Aug 15 2023

web kostenlose deutsch chinesischesch Übersetzung im pons online wörterbuch das online wörterbuch deutsch chinesischesch von pons ist ein kostenloses online nachschlagewerk für alle suche ein wort oder einen satz indem du etwas in das suchfeld tippst pons reise Wörterbuch chinesischesch reise Wörterbuch und - Jul 14 2023

web pons reise Wörterbuch chinesischesch reise Wörterbuch und sprachführer mit interkulturellen tipps isbn 9783125181021 kostenloser versand für alle bücher mit versand und verkauf duch amazon

*pons reise Wörterbuch chinesischesch abebooks* - Aug 03 2022

web pons reise Wörterbuch chinesischesch reise Wörterbuch und sprachführer mit interkulturellen tipps by unknown and a great selection of related books art and collectibles available now at abebooks com

312518102x pons reise Wörterbuch chinesischesch - Mar 10 2023

web pons reise Wörterbuch chinesischesch reise Wörterbuch und sprachführer mit interkulturellen tipps finden sie alle bücher von wu shu hsiung bei der büchersuchmaschine eurobuch com können sie antiquarische und neubücher vergleichen und sofort zum bestpreis bestellen 312518102x die neue generation der erfolgreichen

*pons reise Wörterbuch chinesischesch 9783125181021 abebooks* - Jan 08 2023

web pons reise Wörterbuch teil chinesischesch bearb von wu shu hsiung ulrich hoss wu shu hsiung mitwirkender published by barcelona belgrad budapest ljubljana london posen prag sofia stuttgart zagreb klett sprachen 2004