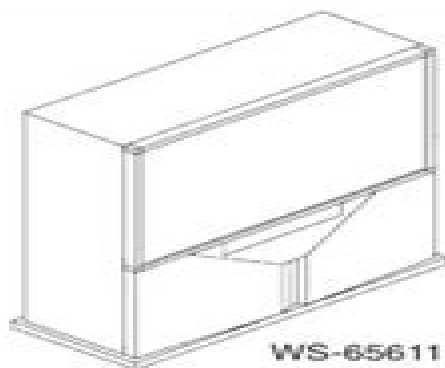


Service Manual

 PROJECTION TELEVISION
 V21 / V21+ / V21++ CHASSIS


WS-65611

**V21
MODELS**

 WS-48511
 WS-55511
 WS-65511
 WS-B55

**V21+
MODELS**

WS-65611

**V21++
MODELS**

 WS-55711
 WS-65711
 WS-65712
 WS-73711

CAUTION:

Before servicing this chassis, it is important that the service person read the "SAFETY PRECAUTIONS" and "PRODUCT SAFETY NOTICE" contained in Part 1 of this manual.

PART 2 SCHEMATIC DIAGRAMS

CONTENTS	Page
Overall PCB Block Diagram	1
PCB-MAIN	2
PCB-POWER	3
PCB-POWER	4
PCB-SIGNAL-1 (AV I/O)	5
PCB-SIGNAL-2 (MICRO)	6
PCB-SIGNAL-3 (VIDEO/CHROMA)	7
PCB-3DYC	8
PCBs-CONV GEN / JUNGLE	9
PCBs-CONTROL / CRT / CROSSOVER / DBF / DM POWER / FRONT / PREAMP / SVM	10
PCB-2HDW-1	11
PCB-2HDW-2	12
PCB-2HDW-3	13

Refer to PART 1 for:

- Specifications
- Safety Precautions
- Disassembly
- CRT Replacement
- Electrical Adjustments
- Parts List
- Block Diagrams

MITSUBISHI DIGITAL ELECTRONICS AMERICA, INC.

9351 Jeronimo Road, Irvine, CA 92618-1904

Copyright © 2002 Mitsubishi Digital Electronics America, Inc.

All Rights Reserved

Mitsubishi Ws 65905 Tvs Owners Manual

Camilla Rothe



Mitsubishi Ws 65905 Tvs Owners Manual:

When people should go to the book stores, search launch by shop, shelf by shelf, it is in fact problematic. This is why we allow the ebook compilations in this website. It will enormously ease you to see guide **Mitsubishi Ws 65905 Tvs Owners Manual** as you such as.

By searching the title, publisher, or authors of guide you in fact want, you can discover them rapidly. In the house, workplace, or perhaps in your method can be all best area within net connections. If you endeavor to download and install the Mitsubishi Ws 65905 Tvs Owners Manual, it is certainly simple then, in the past currently we extend the associate to buy and create bargains to download and install Mitsubishi Ws 65905 Tvs Owners Manual in view of that simple!

https://staging.conocer.cide.edu/results/uploaded-files/Download_PDFS/Fz600s_2015_Owners_Manual.pdf

Table of Contents Mitsubishi Ws 65905 Tvs Owners Manual

1. Understanding the eBook Mitsubishi Ws 65905 Tvs Owners Manual
 - The Rise of Digital Reading Mitsubishi Ws 65905 Tvs Owners Manual
 - Advantages of eBooks Over Traditional Books
2. Identifying Mitsubishi Ws 65905 Tvs Owners Manual
 - Exploring Different Genres
 - Considering Fiction vs. Non-Fiction
 - Determining Your Reading Goals
3. Choosing the Right eBook Platform
 - Popular eBook Platforms
 - Features to Look for in an Mitsubishi Ws 65905 Tvs Owners Manual
 - User-Friendly Interface
4. Exploring eBook Recommendations from Mitsubishi Ws 65905 Tvs Owners Manual
 - Personalized Recommendations
 - Mitsubishi Ws 65905 Tvs Owners Manual User Reviews and Ratings
 - Mitsubishi Ws 65905 Tvs Owners Manual and Bestseller Lists

5. Accessing Mitsubishi Ws 65905 TVs Owners Manual Free and Paid eBooks
 - Mitsubishi Ws 65905 TVs Owners Manual Public Domain eBooks
 - Mitsubishi Ws 65905 TVs Owners Manual eBook Subscription Services
 - Mitsubishi Ws 65905 TVs Owners Manual Budget-Friendly Options
6. Navigating Mitsubishi Ws 65905 TVs Owners Manual eBook Formats
 - ePub, PDF, MOBI, and More
 - Mitsubishi Ws 65905 TVs Owners Manual Compatibility with Devices
 - Mitsubishi Ws 65905 TVs Owners Manual Enhanced eBook Features
7. Enhancing Your Reading Experience
 - Adjustable Fonts and Text Sizes of Mitsubishi Ws 65905 TVs Owners Manual
 - Highlighting and Note-Taking Mitsubishi Ws 65905 TVs Owners Manual
 - Interactive Elements Mitsubishi Ws 65905 TVs Owners Manual
8. Staying Engaged with Mitsubishi Ws 65905 TVs Owners Manual
 - Joining Online Reading Communities
 - Participating in Virtual Book Clubs
 - Following Authors and Publishers Mitsubishi Ws 65905 TVs Owners Manual
9. Balancing eBooks and Physical Books Mitsubishi Ws 65905 TVs Owners Manual
 - Benefits of a Digital Library
 - Creating a Diverse Reading Collection Mitsubishi Ws 65905 TVs Owners Manual
10. Overcoming Reading Challenges
 - Dealing with Digital Eye Strain
 - Minimizing Distractions
 - Managing Screen Time
11. Cultivating a Reading Routine Mitsubishi Ws 65905 TVs Owners Manual
 - Setting Reading Goals Mitsubishi Ws 65905 TVs Owners Manual
 - Carving Out Dedicated Reading Time
12. Sourcing Reliable Information of Mitsubishi Ws 65905 TVs Owners Manual
 - Fact-Checking eBook Content of Mitsubishi Ws 65905 TVs Owners Manual
 - Distinguishing Credible Sources
13. Promoting Lifelong Learning

- Utilizing eBooks for Skill Development
 - Exploring Educational eBooks
14. Embracing eBook Trends
- Integration of Multimedia Elements
 - Interactive and Gamified eBooks

Mitsubishi Ws 65905 Tvs Owners Manual Introduction

In the digital age, access to information has become easier than ever before. The ability to download Mitsubishi Ws 65905 Tvs Owners Manual has revolutionized the way we consume written content. Whether you are a student looking for course material, an avid reader searching for your next favorite book, or a professional seeking research papers, the option to download Mitsubishi Ws 65905 Tvs Owners Manual has opened up a world of possibilities. Downloading Mitsubishi Ws 65905 Tvs Owners Manual provides numerous advantages over physical copies of books and documents. Firstly, it is incredibly convenient. Gone are the days of carrying around heavy textbooks or bulky folders filled with papers. With the click of a button, you can gain immediate access to valuable resources on any device. This convenience allows for efficient studying, researching, and reading on the go. Moreover, the cost-effective nature of downloading Mitsubishi Ws 65905 Tvs Owners Manual has democratized knowledge. Traditional books and academic journals can be expensive, making it difficult for individuals with limited financial resources to access information. By offering free PDF downloads, publishers and authors are enabling a wider audience to benefit from their work. This inclusivity promotes equal opportunities for learning and personal growth. There are numerous websites and platforms where individuals can download Mitsubishi Ws 65905 Tvs Owners Manual. These websites range from academic databases offering research papers and journals to online libraries with an expansive collection of books from various genres. Many authors and publishers also upload their work to specific websites, granting readers access to their content without any charge. These platforms not only provide access to existing literature but also serve as an excellent platform for undiscovered authors to share their work with the world. However, it is essential to be cautious while downloading Mitsubishi Ws 65905 Tvs Owners Manual. Some websites may offer pirated or illegally obtained copies of copyrighted material. Engaging in such activities not only violates copyright laws but also undermines the efforts of authors, publishers, and researchers. To ensure ethical downloading, it is advisable to utilize reputable websites that prioritize the legal distribution of content. When downloading Mitsubishi Ws 65905 Tvs Owners Manual, users should also consider the potential security risks associated with online platforms. Malicious actors may exploit vulnerabilities in unprotected websites to distribute malware or steal personal information. To protect themselves, individuals should ensure their devices have reliable antivirus software installed and validate the legitimacy of the websites

they are downloading from. In conclusion, the ability to download Mitsubishi Ws 65905 Tvs Owners Manual has transformed the way we access information. With the convenience, cost-effectiveness, and accessibility it offers, free PDF downloads have become a popular choice for students, researchers, and book lovers worldwide. However, it is crucial to engage in ethical downloading practices and prioritize personal security when utilizing online platforms. By doing so, individuals can make the most of the vast array of free PDF resources available and embark on a journey of continuous learning and intellectual growth.

FAQs About Mitsubishi Ws 65905 Tvs Owners Manual Books

1. Where can I buy Mitsubishi Ws 65905 Tvs Owners Manual books? Bookstores: Physical bookstores like Barnes & Noble, Waterstones, and independent local stores. Online Retailers: Amazon, Book Depository, and various online bookstores offer a wide range of books in physical and digital formats.
2. What are the different book formats available? Hardcover: Sturdy and durable, usually more expensive. Paperback: Cheaper, lighter, and more portable than hardcovers. E-books: Digital books available for e-readers like Kindle or software like Apple Books, Kindle, and Google Play Books.
3. How do I choose a Mitsubishi Ws 65905 Tvs Owners Manual book to read? Genres: Consider the genre you enjoy (fiction, non-fiction, mystery, sci-fi, etc.). Recommendations: Ask friends, join book clubs, or explore online reviews and recommendations. Author: If you like a particular author, you might enjoy more of their work.
4. How do I take care of Mitsubishi Ws 65905 Tvs Owners Manual books? Storage: Keep them away from direct sunlight and in a dry environment. Handling: Avoid folding pages, use bookmarks, and handle them with clean hands. Cleaning: Gently dust the covers and pages occasionally.
5. Can I borrow books without buying them? Public Libraries: Local libraries offer a wide range of books for borrowing. Book Swaps: Community book exchanges or online platforms where people exchange books.
6. How can I track my reading progress or manage my book collection? Book Tracking Apps: Goodreads, LibraryThing, and Book Catalogue are popular apps for tracking your reading progress and managing book collections. Spreadsheets: You can create your own spreadsheet to track books read, ratings, and other details.
7. What are Mitsubishi Ws 65905 Tvs Owners Manual audiobooks, and where can I find them? Audiobooks: Audio recordings of books, perfect for listening while commuting or multitasking. Platforms: Audible, LibriVox, and Google Play Books offer a wide selection of audiobooks.

8. How do I support authors or the book industry? Buy Books: Purchase books from authors or independent bookstores. Reviews: Leave reviews on platforms like Goodreads or Amazon. Promotion: Share your favorite books on social media or recommend them to friends.
9. Are there book clubs or reading communities I can join? Local Clubs: Check for local book clubs in libraries or community centers. Online Communities: Platforms like Goodreads have virtual book clubs and discussion groups.
10. Can I read Mitsubishi Ws 65905 Tvs Owners Manual books for free? Public Domain Books: Many classic books are available for free as theyre in the public domain. Free E-books: Some websites offer free e-books legally, like Project Gutenberg or Open Library.

Find Mitsubishi Ws 65905 Tvs Owners Manual :

[fz600s 2015 owners manual](#)

[galloping gourmet oven manual](#)

[fz1 shop manual](#)

[fuse diagram for 1990 240sx](#)

[g codes medicare physical therapy example](#)

[fuse diagram bmw 318i m40](#)

games without music for children

[game maker studio manual](#)

[fuse box location 20ford expedition](#)

[g37 factory service manual](#)

[galaxy classification and evolution laboratory answers](#)

game boy manual scans

fuse location for gmc sierra 2013 2500hd

game manual red alert 3

[fybsc october exam paper in chemistryin 2013](#)

Mitsubishi Ws 65905 Tvs Owners Manual :

make a basic rubber band bracelet rubber band loom - Mar 16 2023

web make a basic rubber band bracelet rubber band loom step 1 the loom must be facing the right direction make sure your

loom makes a triangle shape in the front with your step 2 you will need 13 of one color and 13 of another color 26 rubber bands in total if you would like to only use

[loom band tutorials instructables](#) - Aug 21 2023

web loom band tutorials by invisib4 in craft jewelry 61 141 12 suggested projects favorite fishtail rubber band bracelet by cooperhans in fashion fun loom bookmark by yololipstick in paper loom starburst loom band patterns by mikaya

how to make rubber band bracelets 25 bracelet patterns - Jul 20 2023

web free rubber band bracelet patterns learn how to make rubber band bracelets with 25 unique bracelet patterns make trendy and stylish accessories using rubber bands in various designs perfect for all ages and skill levels let your creativity shine with these fun and easy to follow rubber band bracelet patterns 1 hexafish rainbow loom

loom band patterns 3 steps instructables - Oct 11 2022

web loom band patterns making loom bands but can t choose what pattern well follow some of these patterns to making your own creative patterns projects contests teachers loom band patterns by mikaya in craft art 4 990 4 5

elastic bands rubber bands for loom jewelry rainbow loom patterns - Jun 07 2022

web elastic bands rubber bands for loom jewelry rainbow loom patterns tools of the trade bands rubber bands or elastic bands well what can we say this is the most important supply when creating your patterns one can make certain patterns without having a loom but elastic bands are a necessity

the ultimate rainbow loom guide instructables - Jun 19 2023

web 219 featured favorite time to start making with your rainbow loom we ll get you started with making a basic bracelet on the loom and work you up to making crazy starburst bracelets and fun little charms if you re feeling really lucky go for the hexafish bracelet it may look intimidating but it just takes practice single rainbow loom bracelet

make rubber band bracelets 11 rubber band loom patterns - Jul 08 2022

web this collection make rubber band bracelets 9 rubber band loom patterns offers you several tutorials to help you create lovely rubber band loom jewelry patterns these diy bracelets are perfect for tweens and teens but kids and kids at heart of any age will adore these bright and colorful diy jewelry projects

how to make loom bands 5 easy rainbow loom bracelet designs youtube - May 18 2023

web nov 5 2014 all 5 loom bands bracelet designs are very easy to make perfect for beginners in rubber loom band bracelet making we are making 4 bracelets on 2 fingers or 2 pins and the last bracelet

[all your favorite patterns in one place rainbow loom patterns](#) - Oct 23 2023

web rainbow loom patterns is proud to present to you our collection of bracelets categorized into beginner intermediate and advanced levels bracelets are what made the rainbow loom popular these bracelets can also be made on other looms as well

including bandaloom wonder loom cra z loom and funloom

easy to make rubber band loom and bracelet instructables - Feb 15 2023

web step 1 gather up some stuff i used a chunk of wood that i had lying around 1 5 x 75 x 6 however just about any size will do six pushpins a pencil and a half inch drill bit step 2 find the center at one end find the center use your drill bit and drill and make a hole step 3 with my pencil i marked where i wanted to place the pins

[49 rubber band loom ideas rainbow loom patterns loom pinterest](#) - Dec 13 2022

web rubber band loom ideas 49 pins 3y j collection by jen richardson similar ideas popular now loom rainbow loom rainbow loom bracelets rubber band bracelet crochet hook comfort grips crochet hook grip loom crochet rainbow crochet free crochet crochet pattern rainbow loom fishtail rainbow loom bracelets easy loom band bracelets

[how to make loom bracelets with pictures wikihow](#) - Apr 17 2023

web jun 16 2019 1 think about the sort of colors you would like to wear do you have blue eyes match your bracelet to your eyes with an alternating blue green or blue yellow bracelet are you planning on wearing a red outfit make a predominantly red bracelet maybe you don t want to match at all

[10 rubber band bracelet ideas easy unique craftbuds](#) - Apr 05 2022

web jan 26 2023 choose any of your 2 favorite colored rubber bands and start laying them on the loom place the rainbow loom down so that its red arrow faces away from you and the curved sides of the pegs face you stretch the 1st rubber band between the first middle peg and the outside middle peg on the right

[instructions on how to make rainbow loom designs loom](#) - Sep 22 2023

web welcome to rainbow fun tutorials for the coolest rainbow loom designs on this page you ll find rainbow loom instructions for the simplest to most advanced bracelets charms and other artistic loom designs the sky s the limit with rainbow loom so if you come up with a unique design we encourage you to send it in to our facebook page

how to make rubber band bracelets 10 preferred rainbow loom patterns - Sep 10 2022

web jan 5 2023 these rainbow loom rubber band bracelets are easy by kids toward make in are 10 rubber band bracelet instructions to follow

35 cool ways to make rainbow loom bracelets designs and patterns - May 06 2022

web apr 10 2019 get crafty with this cute rainbow bracelet made with colorful rubber bands with the help of a c clip if you don t have a loom and still wish to weave a great wrist band then tutorial will guide you with the step by step instructions

how to make loom bands for beginners gathered - Jan 14 2023

web feb 25 2022 loom bands are small plastic or rubber bands that come in a huge variety of bright colours they first came into the public eye when the rainbow loom was invented in 2010 by cheong choon ng in novi michigan

240 rubber band loom ideas rainbow loom patterns rainbow loom - Mar 04 2022

web nov 13 2013 explore carrie lee s board rubber band loom followed by 136 people on pinterest see more ideas about rainbow loom patterns rainbow loom bracelets loom

how to make a rubber band bracelet with pictures wiihow - Aug 09 2022

web aug 27 2023 to make a rubber band bracelet with your fingers first place an orange band around your middle finger then twist it into a figure 8 and place 1 of the loops on your ring finger wrap 2 purple bands around your ring

40 rainbow loom tutorials and ideas the simply crafted life - Nov 12 2022

web jan 3 2014 check out over 40 awesome rainbow loom tutorials and ideas featuring bracelet and charm patterns as well as storage and organization ideas cricut access exclusive sale save now

townes van zandt no place to fall official audio youtube - Mar 10 2023

web no place to fall from townes van zandt s album flyin shoes listen purchase townesvanzandt ffm to flyinshoes oydlrics if i had no place to fall

no place to fall wikipedia - Nov 06 2022

web no place to fall is the fifth album by pioneer country rock musician steve young it has a more outlaw country sound than his earlier work track listing all tracks composed by steve young except where indicated no place to fall townes van zandt montgomery in the rain dreamer always loving you drift away mentor williams

no place to fall the nashville sessions genius - Aug 15 2023

web verse 1 well if i had no place to fall and i needed to could i count on you to lay me down verse 2 well i d never tell you no lies i don t believe it s wise you got pretty eyes won t you

the little willies no place to fall lyrics genius lyrics - Oct 05 2022

web no place to fall lyrics if i had no place to fall and i needed to could i count on you to lay me down i d never tell you no lies i don t believe it s wise you ve got pretty eyes

steve young no place to fall lyrics genius lyrics - Jan 08 2023

web won t you spin me round i ain t much of a lover it s true i m here then i m gone and i m forever blue but i m sure wanting you skies full of silver and gold try to hide the sun but it

no place to fall official music video kathleen grace - Jun 01 2022

web no place to fall official music video kathleen grace youtube no place to fall written by townes van zandt performed by kathleen grace kathleengracemusic com twitter com

no place to fall guitar tutorial w tab townes van zandt - Aug 03 2022

web no place to fall guitar tutorial w tab townes van zandt youtube andrea and i s cover youtube com watch v xxb3kwpa1mkif

you found value in this video please give some back

townes van zandt no place to fall chords ultimate guitar - Mar 30 2022

web no place to fall chords by townes van zandt 31 933 views added to favorites 1 678 times same chords as ver 1 just added chords to make playing on auto scroll easier was this info helpful

no place to fall youtube - Feb 09 2023

web 5 7k views 4 years ago provided to youtube by rca legacy no place to fall steve young

no place to fall album reviews songs more allmusic - Feb 26 2022

web issued in 1978 no place to fall is regrettably the second and last album for rca like its predecessor renegade picker young s ever evolving music is centered in the heart of outlaw country this time out though there are as usual interesting twists and turns the band is stellar with buddy emmons and buddy spicher tracy nelson jerry shook

isobel campbell mark lanegan no place to fall youtube - Apr 11 2023

web artist isobel campbell mark lanegan album no place to fall licenses the orchard music umg on behalf of co operative music wixen music publishing inc

townes van zandt no place to fall lyrics azlyrics com - May 12 2023

web townes van zandt lyrics no place to fall if i had no place to fall and i needed to could i count on you to lay me down i d never tell you no lies i don t believe it s wise you got pretty eyes won t you spin me round i ain t much of a lover it s true i m here then i m gone and i m forever blue but i m sure wanting you

townes van zandt no place to fall youtube - Jul 14 2023

web jan 31 2010 my favorite tvz song

no place to fall flyin shoes genius - Jun 13 2023

web no place to fall flyin shoes lyrics verse 1 well if i had no place to fall and i needed to could i count on you to lay me down verse 2 well i d never tell you no lies i don t

kevin morby no place to fall lyrics genius lyrics - Dec 07 2022

web oct 27 2016 no place to fall lyrics chorus if i had no place to fall but i needed to could i count on you to lay me down verse i ain t telling you no lies i don t believe it s wise

no place to fall chords by townes van zandt songsterr - Dec 27 2021

web standard eadgbe d if i had d7m no place to d7 fall and i g needed d to could i em count on g you to lay me d down d i d never d7m tell you no d7 lies i don t be g lieve it s d wise you got em pretty g eyes won t you spin me d round

townes van zandt no place to fall lyrics songmeanings - Jan 28 2022

web if i had no place to fall and i needed to could i count on you to lay me down i d never tell you no lies i don t believe it s

wise you ve got pretty eyes won t you spin me round i ain t much of a lover it s true i m here then i m gone and i m forever blue but i m sure wanting you skies full of silver and gold try to hide the sun but it can t be done least not for long and if *steve earle no place to fall lyrics lyrics com* - Sep 04 2022

web no place to fall lyrics by steve earle from the townes album including song video artist biography translations and more if i had no place to fall and i needed to could i count on you to lay me down i d never tell you no lies i don [no place to fall home facebook](#) - Jul 02 2022

web no place to fall 315 likes the official facebook page for the tv series no place to fall [rodney crowell no place to fall lyrics azlyrics com](#) - Apr 30 2022

web least not for long i m not much of a lover it s true i m here and i m gone and i m forever blue but i m sure wanting you time she s a fast old train she s here and she s gone and she won t come again so won t you take my hand if *star trek countdown to darkness compte a rebours* - Sep 21 2023

web star trek countdown to darkness compte a rebours the darkness outside us jun 25 2021 they both die at the end meets the loneliest girl in the universe in this mind

star trek countdown memory alpha fandom - Oct 10 2022

web star trek countdown is a four issue comics miniseries published by idw publishing and released in 2009 written by mike johnson and tim jones based on a story by

star trek countdown to darkness compte à rebours avant les - Jun 18 2023

web jul 31 2013 star trek countdown to darkness compte à rebours avant les ténèbres star trek countdown to darkness compte à rebours avant les ténèbres by mike

star trek countdown to darkness compte à rebours avant les - Jul 19 2023

web apr 10 2013 star trek countdown to darkness compte à rebours avant les ténèbres french edition kindle comixology french edition by mike johnson author david

download free star trek countdown to darkness compte a - Sep 09 2022

web star trek countdown to darkness compte a rebours star trek countdown to darkness 3 aug 13 2022 third issue in an four issue series the lead up to this

[star trek countdown to darkness compte à rebours avant les](#) - Mar 15 2023

web star trek countdown to darkness compte à rebours avant les ténèbres 1 dvd pre order special edition french edition ebook johnson mike messina david

star trek countdown to darkness compte a rebours copy - Jul 07 2022

web star trek countdown to darkness kapitel 1 star trek voyager mirrors and smoke star trek countdown to darkness 2 star

trek into darkness star trek khan 5

star trek countdown to darkness compte a rebours pdf 2023 - Nov 11 2022

web star trek countdown to darkness compte a rebours pdf 2023 red ortax org created date 9 14 2023 6 34 21 pm

star trek countdown to darkness compte à rebours avant les - Apr 04 2022

web télécharger les nouveautés magazines journaux ebooks libres et gratuits bande dessinées romans ebooks livres audio et autoformations gratuitement en pdf epub

star trek countdown to darkness compte a rebours - Jun 06 2022

web this star trek countdown to darkness compte a rebours but end up in malicious downloads rather than enjoying a good book with a cup of tea in the afternoon instead

star trek countdown to darkness covrprice - Aug 08 2022

web star trek countdown to darkness idw 2013 4 issues something missing you own 0 star trek countdown to darkness 1 2013 you own 0 star trek

free pdf download star trek countdown to darkness compte - May 05 2022

web star trek countdown to darkness compte a rebours compte à rebours jan 03 2023 une lecture addictive pour les amateurs de romans policiers page des libraires À sa

star trek countdown to darkness compte à rebours avant les - Apr 16 2023

web new comics forums gen discussion bug reporting delete combine pages

star trek countdown to darkness memory alpha fandom - May 17 2023

web star trek countdown to darkness is a four issue series of comics from idw publishing the series is a tie in to the 2013 film star trek into darkness chronicling the mudd

star trek countdown to darkness compte à rebours avan - Oct 22 2023

web le compte à rebours de l'événement cinéma commence ici dans cette superproduction et mini star trek countdown to darkness compte à rebours avant les ténèbres by

star trek countdown to darkness compte à rebours avant les - Jan 13 2023

web le compte à rebours de l'événement cinéma commence ici dans cette superproduction et mini série préquelle de 4 épisodes qui prépare le terrain pour le prochain film star

star trek countdown to darkness compte à rebours avant les - Feb 14 2023

web star trek countdown to darkness compte à rebours avant les ténèbres french edition ebook johnson mike messina david amazon com au kindle store

star trek countdown to darkness comic read star trek - Dec 12 2022

web may 16 2011 the countdown to the motion picture event of 2013 begins here in this blockbuster 4 issue prequel mini series that sets the stage for the upcoming star

star trek countdown to darkness compte à rebours avan - Aug 20 2013

web apr 30 2013 read reviews from the world s largest community for readers Édition spéciale uniquement disponible pour les clients qui ont précommandé le film star