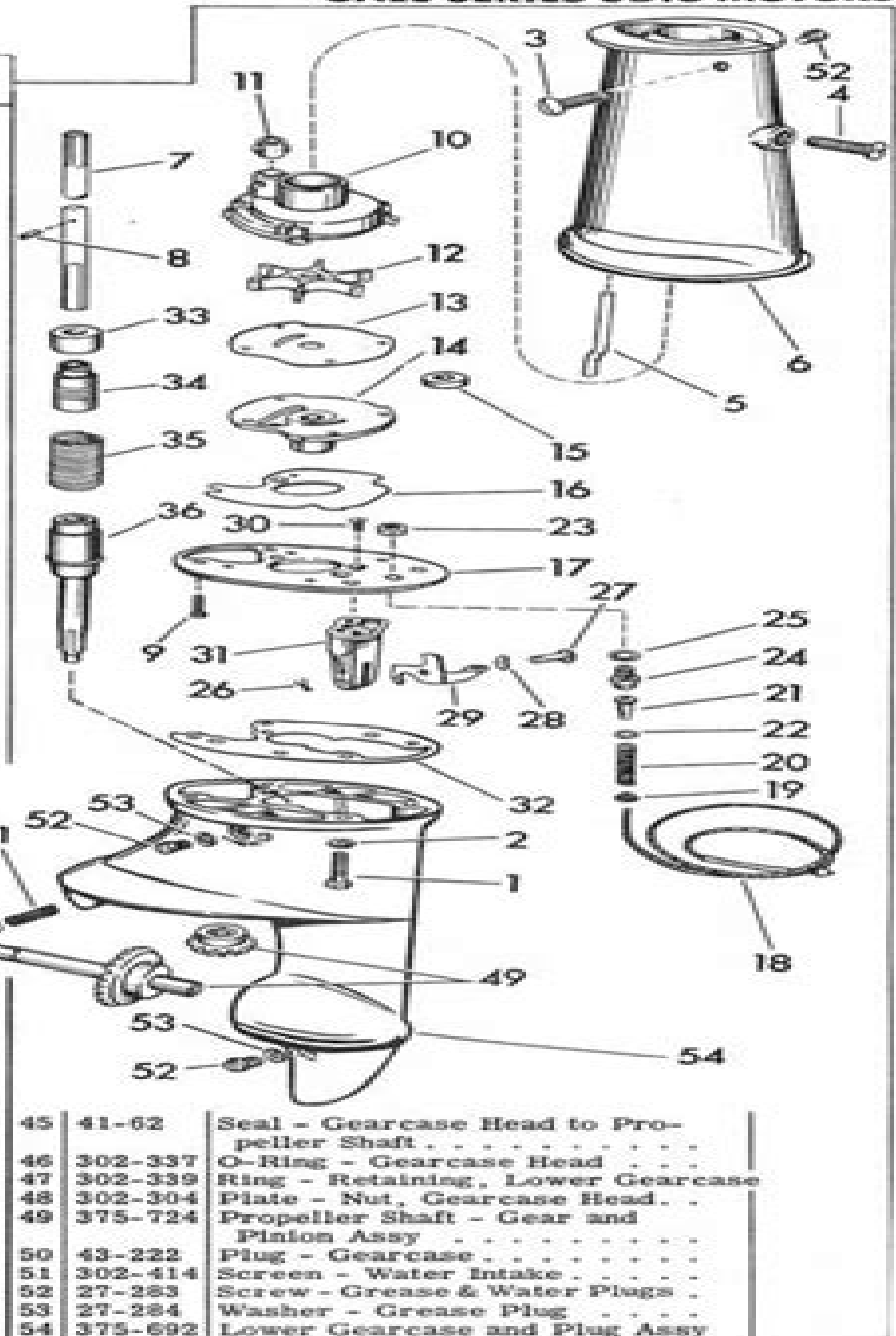


LOWER UNIT GEAR CASE

Parts List

| Ref. No. | Part No. | Description |
|----------|----------|--|
| 1 | 21-358 | Screw - Upper to Lower Gearcase |
| 2 | 302-290 | Washer - Lock, Upper to Lower Gearcase |
| 3 | 551-888 | Screw - Housing to Manifold Tube |
| 4 | 551-887 | Screw - Clamp |
| 5 | 551-889 | Tube - Water |
| 6 | 591-170 | Pump Housing and Screw Assy |
| 7 | 551-891 | Driveshaft |
| 8 | 300-771 | Pin - Driveshaft to Impeller Housing |
| 9 | 302-342 | Screw - Plate to Impeller Housing |
| 10 | 302-318 | Housing - Impeller |
| 11 | 302-336 | Grommet - Impeller Housing |
| 12 | 375-688 | Impeller and Insert Assy |
| 13 | 302-305 | Plate - Impeller Housing |
| 14 | 375-691 | Housing and Bearing Assy |
| 15 | 302-302 | Seal - Bearing Housing |
| 16 | 302-334 | Gasket - Bearing Housing to Plate |
| 17 | 302-320 | Plate - Lower to Upper Gearcase |
| 18 | 591-179 | Control Cable, Washer and Grommet Assy |
| 19 | 302-340 | Washer - Spring to Clutch Lever |
| 20 | 302-328 | Spring - Clutch Lever |
| 21 | 302-349 | Grommet - Seal Control Cable Lower |
| 22 | 302-417 | Washer |
| 23 | 302-418 | Nut - Guide Screw |
| 24 | 302-419 | Screw - Guide |
| 25 | 302-321 | Gasket - Plate to Seal Housing |
| 26 | 301-912 | Pin - Cotter, Pivot Pin |
| 27 | 302-363 | Pin - Pivot, Clutch Lever |
| 28 | 302-322 | Washer - Bow, Pivot Pin |
| 29 | 302-338 | Lever - Clutch |
| 30 | 302-104 | Screw - Plate to Clutch Lever Bracket and Retainer |
| 31 | 302-335 | Bracket - Clutch Lever |
| 32 | 302-327 | Gasket - Lower Gearcase to Plate |
| 33 | 302-309 | Retainer - Clutch |
| 34 | 375-694 | Spring and Sleeve Assy - Shock Absorber |
| 35 | 302-313 | Spring - Clutch |
| 36 | 375-693 | Pinion Shaft and Clutch Pilot Assy |
| 37 | 15-84 | Pin - Cotter, Propeller Nut |
| 38 | 591-175 | Propeller Nut Assy |
| 39 | 39-60 | Washer - Lock, Propeller Nut |
| 40 | 302-333 | Pin - Propeller Drive |
| 41 | 591-169 | Propeller and Bushing Assy |
| 42 | 302-319 | Screw - Gearcase Head |
| 43 | 302-324 | Washer - Gearcase Head Screw |
| 44 | 375-690 | Gearcase Head and Bearing Assy |
| 45 | 41-62 | Seal - Gearcase Head to Propeller Shaft |
| 46 | 302-337 | O-Ring - Gearcase Head |
| 47 | 302-339 | Ring - Retaining, Lower Gearcase |
| 48 | 302-304 | Plate - Nut, Gearcase Head |
| 49 | 375-724 | Propeller Shaft - Gear and Pinion Assy |
| 50 | 43-222 | Plug - Gearcase |
| 51 | 302-414 | Screen - Water Intake |
| 52 | 27-283 | Screw - Grease & Water Plugs |
| 53 | 27-284 | Washer - Grease Plug |
| 54 | 375-692 | Lower Gearcase and Plug Assy |

GALE SERIES 5D10 MOTORS



Johnson Tn 27 Manual

TD Snyder



Johnson Tn 27 Manual:

Manual of Examinations for the ... ,1908 Airman's Information Manual ,1964 *A Political Manual for ...* Edward McPherson,1868 **Industrial Arts Magazine** ,1917 Church Property Administration ,1956 *Choral & Organ Guide* ,1956 *The Ballad of "Blind" Willie Johnson* Shane Ford,2025-05-30 In 1977 when the Voyager deep space probes were launched on their journey into interstellar space they each carried a gold record containing music from a wide variety of cultures Of the four selections of American music chosen one was a recording of Texas street evangelist Blind Willie Johnson s haunting gospel song Dark Was the Night Cold Was the Ground Despite Johnson s recording taking its place among the works intended to represent human culture to the cosmos his life has long remained shrouded in anonymity and conjecture Like many African American musicians in the segregated South of the early twentieth century he managed a precarious existence that hardly lent itself to extensive documentation Now after intensive research both in the field and in archives across the region author Shane Ford fills in many of the blanks in what may be known or deduced about the life of a musician whose work he describes as transcendent Along the way he corrects the many errors that have arisen around Johnson and his career errors that have unfortunately been repeated so often that they have come to be accepted as fact Beginning with the earliest roots of the blues amid the moans and field hollers of enslaved persons and proceeding with imagination and meticulous regard for the available albeit sparse documentation of the life of the artist Ford paints a picture of Blind Willie Johnson and his times that allows us to perceive him in greater detail than ever before *The Ballad of Blind Willie Johnson* offers readers a deeper appreciation of one of the most unique voices in the history of American music Agricultural Reviews and Manuals ,1979 **African American Fraternities and Sororities** Tamara L. Brown, Gregory S. Parks, Clarendia M. Phillips, 2012-02-29 The rich history and social significance of the Divine Nine African American Greek letter organizations is explored in this comprehensive anthology In the long tradition of African American benevolent and secret societies intercollegiate African American fraternities and sororities have strong traditions of fostering brotherhood and sisterhood among their members exerting considerable influence in the African American community and being in the forefront of civic action community service and philanthropy Dr Martin Luther King Jr Toni Morrison Arthur Ashe and Sarah Vaughn are just a few of the trailblazing members of these organizations African American Fraternities and Sororities places the history of these organizations in context linking them to other movements and organizations that predated them and tying their history to the Civil Rights movement It explores various cultural aspects of the organizations such as auxiliary groups branding calls and stepping and highlights the unique role of African American sororities **Spalding's Official Foot Ball Guide ...** ,1919 *The United States Catalog* ,1928 **A Political Manual for 1866** Edward McPherson,1866

A Political Manual for 1866 [1868], including a classified summary of the important executive, legislative and politico-military facts of the period, from President Johnson's accession, April 15, 1865, to July 4, 1866 (April 1,

1867 to July 15, 1868). Edward MACPHERSON,1866 *Popular Mechanics* ,1958-06 Popular Mechanics inspires instructs and influences readers to help them master the modern world Whether it s practical DIY home improvement tips gadgets and digital technology information on the newest cars or the latest breakthroughs in science PM is the ultimate guide to our high tech lifestyle **Proceedings of the ... Continental Congress of the National Society of the Daughters of the American Revolution** ,1926 *Telephony* ,1929 *The Diapason* Siegfried Emanuel Gruenstein,1918 Includes music *SR-67 Construction from Appalachian Corridor B in Johnson City to SR-91 in Elizabethton, Washington County* ,1975 **Catalog of Copyright Entries. Third Series** Library of Congress. Copyright Office,1962 Includes Part 1 Number 2 Books and Pamphlets Including Serials and Contributions to Periodicals July December **Popular Mechanics** ,1981-07 Popular Mechanics inspires instructs and influences readers to help them master the modern world Whether it s practical DIY home improvement tips gadgets and digital technology information on the newest cars or the latest breakthroughs in science PM is the ultimate guide to our high tech lifestyle

The Enigmatic Realm of **Johnson Tn 27 Manual**: Unleashing the Language is Inner Magic

In a fast-paced digital era where connections and knowledge intertwine, the enigmatic realm of language reveals its inherent magic. Its capacity to stir emotions, ignite contemplation, and catalyze profound transformations is nothing short of extraordinary. Within the captivating pages of **Johnson Tn 27 Manual** a literary masterpiece penned by way of a renowned author, readers embark on a transformative journey, unlocking the secrets and untapped potential embedded within each word. In this evaluation, we shall explore the book's core themes, assess its distinct writing style, and delve into its lasting affect the hearts and minds of those who partake in its reading experience.

<https://staging.conocer.cide.edu/public/publication/HomePages/how%20to%20fix%20seat%20belt%20retractor%20toyota.pdf>

Table of Contents Johnson Tn 27 Manual

1. Understanding the eBook Johnson Tn 27 Manual
 - The Rise of Digital Reading Johnson Tn 27 Manual
 - Advantages of eBooks Over Traditional Books
2. Identifying Johnson Tn 27 Manual
 - Exploring Different Genres
 - Considering Fiction vs. Non-Fiction
 - Determining Your Reading Goals
3. Choosing the Right eBook Platform
 - Popular eBook Platforms
 - Features to Look for in an Johnson Tn 27 Manual
 - User-Friendly Interface
4. Exploring eBook Recommendations from Johnson Tn 27 Manual
 - Personalized Recommendations
 - Johnson Tn 27 Manual User Reviews and Ratings
 - Johnson Tn 27 Manual and Bestseller Lists

5. Accessing Johnson Tn 27 Manual Free and Paid eBooks
 - Johnson Tn 27 Manual Public Domain eBooks
 - Johnson Tn 27 Manual eBook Subscription Services
 - Johnson Tn 27 Manual Budget-Friendly Options
6. Navigating Johnson Tn 27 Manual eBook Formats
 - ePub, PDF, MOBI, and More
 - Johnson Tn 27 Manual Compatibility with Devices
 - Johnson Tn 27 Manual Enhanced eBook Features
7. Enhancing Your Reading Experience
 - Adjustable Fonts and Text Sizes of Johnson Tn 27 Manual
 - Highlighting and Note-Taking Johnson Tn 27 Manual
 - Interactive Elements Johnson Tn 27 Manual
8. Staying Engaged with Johnson Tn 27 Manual
 - Joining Online Reading Communities
 - Participating in Virtual Book Clubs
 - Following Authors and Publishers Johnson Tn 27 Manual
9. Balancing eBooks and Physical Books Johnson Tn 27 Manual
 - Benefits of a Digital Library
 - Creating a Diverse Reading Collection Johnson Tn 27 Manual
10. Overcoming Reading Challenges
 - Dealing with Digital Eye Strain
 - Minimizing Distractions
 - Managing Screen Time
11. Cultivating a Reading Routine Johnson Tn 27 Manual
 - Setting Reading Goals Johnson Tn 27 Manual
 - Carving Out Dedicated Reading Time
12. Sourcing Reliable Information of Johnson Tn 27 Manual
 - Fact-Checking eBook Content of Johnson Tn 27 Manual
 - Distinguishing Credible Sources
13. Promoting Lifelong Learning

- Utilizing eBooks for Skill Development
 - Exploring Educational eBooks
14. Embracing eBook Trends
- Integration of Multimedia Elements
 - Interactive and Gamified eBooks

Johnson Tn 27 Manual Introduction

In the digital age, access to information has become easier than ever before. The ability to download Johnson Tn 27 Manual has revolutionized the way we consume written content. Whether you are a student looking for course material, an avid reader searching for your next favorite book, or a professional seeking research papers, the option to download Johnson Tn 27 Manual has opened up a world of possibilities. Downloading Johnson Tn 27 Manual provides numerous advantages over physical copies of books and documents. Firstly, it is incredibly convenient. Gone are the days of carrying around heavy textbooks or bulky folders filled with papers. With the click of a button, you can gain immediate access to valuable resources on any device. This convenience allows for efficient studying, researching, and reading on the go. Moreover, the cost-effective nature of downloading Johnson Tn 27 Manual has democratized knowledge. Traditional books and academic journals can be expensive, making it difficult for individuals with limited financial resources to access information. By offering free PDF downloads, publishers and authors are enabling a wider audience to benefit from their work. This inclusivity promotes equal opportunities for learning and personal growth. There are numerous websites and platforms where individuals can download Johnson Tn 27 Manual. These websites range from academic databases offering research papers and journals to online libraries with an expansive collection of books from various genres. Many authors and publishers also upload their work to specific websites, granting readers access to their content without any charge. These platforms not only provide access to existing literature but also serve as an excellent platform for undiscovered authors to share their work with the world. However, it is essential to be cautious while downloading Johnson Tn 27 Manual. Some websites may offer pirated or illegally obtained copies of copyrighted material. Engaging in such activities not only violates copyright laws but also undermines the efforts of authors, publishers, and researchers. To ensure ethical downloading, it is advisable to utilize reputable websites that prioritize the legal distribution of content. When downloading Johnson Tn 27 Manual, users should also consider the potential security risks associated with online platforms. Malicious actors may exploit vulnerabilities in unprotected websites to distribute malware or steal personal information. To protect themselves, individuals should ensure their devices have reliable antivirus software installed and validate the legitimacy of the websites they are downloading from. In conclusion, the ability to download Johnson Tn 27 Manual has transformed the way we access

information. With the convenience, cost-effectiveness, and accessibility it offers, free PDF downloads have become a popular choice for students, researchers, and book lovers worldwide. However, it is crucial to engage in ethical downloading practices and prioritize personal security when utilizing online platforms. By doing so, individuals can make the most of the vast array of free PDF resources available and embark on a journey of continuous learning and intellectual growth.

FAQs About Johnson Tn 27 Manual Books

1. Where can I buy Johnson Tn 27 Manual books? Bookstores: Physical bookstores like Barnes & Noble, Waterstones, and independent local stores. Online Retailers: Amazon, Book Depository, and various online bookstores offer a wide range of books in physical and digital formats.
2. What are the different book formats available? Hardcover: Sturdy and durable, usually more expensive. Paperback: Cheaper, lighter, and more portable than hardcovers. E-books: Digital books available for e-readers like Kindle or software like Apple Books, Kindle, and Google Play Books.
3. How do I choose a Johnson Tn 27 Manual book to read? Genres: Consider the genre you enjoy (fiction, non-fiction, mystery, sci-fi, etc.). Recommendations: Ask friends, join book clubs, or explore online reviews and recommendations. Author: If you like a particular author, you might enjoy more of their work.
4. How do I take care of Johnson Tn 27 Manual books? Storage: Keep them away from direct sunlight and in a dry environment. Handling: Avoid folding pages, use bookmarks, and handle them with clean hands. Cleaning: Gently dust the covers and pages occasionally.
5. Can I borrow books without buying them? Public Libraries: Local libraries offer a wide range of books for borrowing. Book Swaps: Community book exchanges or online platforms where people exchange books.
6. How can I track my reading progress or manage my book collection? Book Tracking Apps: Goodreads, LibraryThing, and Book Catalogue are popular apps for tracking your reading progress and managing book collections. Spreadsheets: You can create your own spreadsheet to track books read, ratings, and other details.
7. What are Johnson Tn 27 Manual audiobooks, and where can I find them? Audiobooks: Audio recordings of books, perfect for listening while commuting or multitasking. Platforms: Audible, LibriVox, and Google Play Books offer a wide selection of audiobooks.
8. How do I support authors or the book industry? Buy Books: Purchase books from authors or independent bookstores. Reviews: Leave reviews on platforms like Goodreads or Amazon. Promotion: Share your favorite books on social media

or recommend them to friends.

9. Are there book clubs or reading communities I can join? Local Clubs: Check for local book clubs in libraries or community centers. Online Communities: Platforms like Goodreads have virtual book clubs and discussion groups.
10. Can I read Johnson Tn 27 Manual books for free? Public Domain Books: Many classic books are available for free as they're in the public domain. Free E-books: Some websites offer free e-books legally, like Project Gutenberg or Open Library.

Find Johnson Tn 27 Manual :

~~how to fix seat belt retractor toyota~~

~~how to be a rap star~~

how to build a castle in seven easy steps

how to close popup window on button click in jquery

~~how much is 10 ml of e liquid~~

~~how to change outer tie rod~~

how the nervous system works 5th grade

how to do a symlog report

~~how to develop a thesis statement for a research paper~~

how to create a jpeg from a

how to fix toyota sienna sliding door problems

~~how to do a manual network selection on nokia c3~~

[how much is my harley motorcycle worth](#)

how to choose none on itunes

how to apply for bursary at nosa

Johnson Tn 27 Manual :

115 top jolly postman story map teaching resources twinkl - Apr 30 2022

web instant access to inspirational lesson plans schemes of work assessment interactive activities resource packs

powerpoints teaching ideas at twinkl

49 top jolly postman story map teaching resources curated - Feb 26 2022

web recently viewed and downloaded recently viewed recently downloaded

[the jolly christmas postman drawing a story map tes](#) - Feb 09 2023

web the jolly christmas postman drawing a story map subject english age range 5 7 resource type lesson complete file

previews docx 301 46 kb docx 150 62 kb notebook 840 69 kb children will recall the story and draw a story map

[story map activity resource pack to support teaching on the jolly](#) - Dec 07 2022

web a lovely activity pack for retelling the story the jolly christmas postman the above video is from a third party source we accept no responsibility for any videos from third party sources

[story map activity kindergarten adult input plan and resource](#) - Dec 27 2021

web story map activity kindergarten adult input plan and resource pack to support teaching on the jolly christmas postman 5

0 1 review theme and topics festivals and cultural celebrations christmas

story map to support teaching on the jolly postman twinkl - Aug 15 2023

web this story map is a great resource for supporting teaching on the classic story the jolly postman with a clear map

showing the route the jolly postman took the children can choose and cut out the characters that he meets along the

[story map to support teaching on the jolly postman twinkl](#) - Jun 13 2023

web this story map is a great resource for supporting teaching on the classic story the jolly postman with a clear map

showing the route the jolly postman took the children can choose and cut out the characters that he meets along the

story map to support teaching on the jolly postman ryhope - Jul 14 2023

web story map to support teaching on the jolly postman cut out the story characters and stick them on to the jolly postman s journey visit twinkl com

[jolly postman teaching resources](#) - Jun 01 2022

web file previews notebook 8 68 mb the story and scanned letters report this resource to let us know if it violates our terms

and conditions our customer service team will review your report and will be in touch last updated not quite what you were

looking for search by keyword to find the right resource

[story map activity resource pack to support teaching on the jolly](#) - Mar 10 2023

web story map activity eyfs adult input plan and resource pack to support teaching on the jolly christmas postman jolly

postman s route song powerpoint to support teaching on the jolly christmas postman post box and christmas cards resource

pack to support teaching on the jolly christmas postman

[253 top jolly postman map teaching resources curated for](#) - Jan 08 2023

web days of the week on jolly christmas postman to support teaching on the jolly christmas postman explore more than 253

jolly postman map resources for teachers parents and pupils as well as related resources on the jolly postman help

story map activity eyfs adult input plan and resource pack to - Nov 06 2022

web this lovely pack contains everything you need to carry out this adult led literacy activity this includes learning intentions key questions and vocabulary resources step by step instructions and opportunities for observation and assessment the above video may be from a third party source

story map the jolly christmas postman teachit - Apr 11 2023

web feb 21 2023 story map the jolly christmas postman children are asked to cut out and stick the images of characters settings and postal items to sequence events from the story and create a story map great to use as a prompt for retelling the story

story map activity resource pack to support teaching on the jolly - May 12 2023

web dec 2 2015 a lovely activity pack for retelling the story the jolly christmas postman the above video may be from a third party source we accept no responsibility for any videos from third party sources please let us know if the video is no longer working

the jolly postman resources and activities twinkl - Aug 03 2022

web story map to support teaching on the jolly postman 4 7 3 reviews lesson plan ideas ks1 to support teaching on the jolly postman 4 7 7 reviews the jolly postman letters to support teaching on the jolly postman 4 4 7 reviews story cut outs to support teaching on the jolly postman 5 0 3 reviews

story map to support teaching on the jolly postman twinkl - Oct 05 2022

web this story map is a great resource for supporting teaching on the classic story the jolly postman with a clear map showing the route the jolly postman took the children can choose and cut out the characters that he meets along the

the jolly postman cut stick colour story map the postman s - Sep 04 2022

web the jolly postman cut stick colour story map the postman s journey subject english language arts balanced literacy literature grade levels prek k 1st 2nd resource type worksheets activities printables formats pdf 242 kb tpt digital activity tpt digital activity compatible

free eyfs adult input planning and resource pack overview - Mar 30 2022

web our jolly postman planning eyfs pack contains an overview which gives details of all of the lesson plans activities and resources included in our eyfs adult input planning pack to support teaching on the jolly christmas postman you can use this pack to inform your lesson planning to make it easier to think of activities and resources for your

10 000 top jolly postman story map teaching resources twinkl - Jul 02 2022

web explore more than 10 000 jolly postman story map resources for teachers parents and pupils as well as related resources on jolly postman

1 157 top jolly postman story map teaching resources - Jan 28 2022

web eyfs enhancement ideas and resources pack to support teaching on the jolly christmas postman free resource matching cards and board to support teaching on the jolly postman 5 0 1 review size ordering to support teaching on the jolly postman level 2a pat a pig story sequencing free resource

geschichte japans reclam verlag - Sep 23 2021geschichte japans reclam sachbuch premium by josef kreiner - Jan 28 2022

web gelb ist kult mit reclam durch den tag reclam uni ver sal pla ner no tiz bü cher ka len der die kultigen begleiter durch den alltag reclams universal kulturtasche reclams

geschichte japans reclam sachbuch premium german - Aug 03 2022

web reclam sachbuch premium in diesem e book wird die geschichte des fern ouml stlichen inselreichs erz auml hlt das den europ auml ern zwar oft exotisch

geschichte japans reclam sachbuch premium amazon de - Aug 15 2023

web die geschichte japans 2010 in seiner zweiten auflage erschienen enthält eine sehr gute einsicht in die einzelnen epochen japans dabei wird zeitlich betrachtet die komplette

reclam verlag - Dec 27 2021

web geschichte japans reclam sachbuch premium german edition ebook kreiner josef amazon ca kindle store

geschichte japans reclam sachbuch premium by josef kreiner - Mar 10 2023

web reclam sachbuch premium geschichte japans in diesem e book wird die geschichte des fernöstlichen inselreichs erzählt das den europäern zwar oft reclam sachbuch

geschichte japans reclam sachbuch premium ebook weltbild - Oct 05 2022

web find helpful customer reviews and review ratings for geschichte japans reclam sachbuch premium at amazon de read honest and unbiased product reviews from

geschichte japans reclam sachbuch premium amazon de - Jun 13 2023

web die geschichte japans 2010 in seiner zweiten auflage erschienen enthält eine sehr gute einsicht in die einzelnen epochen japans dabei wird zeitlich betrachtet die komplette

geschichte japans reclam sachbuch premium ebook - Jan 08 2023

web finden sie hilfreiche kundenrezensionen und rezensionsbewertungen für geschichte japans reclam sachbuch premium auf amazon de lesen sie ehrliche und

geschichte japans reclam sachbuch premium german - Nov 25 2021

web dec 24 2022 1 2 3 solomon norman das judentum buch universal bibliothek details in den warenkorb 7 80 196 seiten inkl mwst ggf zzgl versandkosten

[amazon de customer reviews geschichte japans reclam](#) - Sep 04 2022

web nov 9 2018 amazon com geschichte japans reclam sachbuch premium german edition ebook kreiner josef kindle store

amazon de kundenrezensionen geschichte japans reclam - Dec 07 2022

web geschichte japans reclam sachbuch premium ausgabe 2 ebook written by josef kreiner read this book using google play books app on your pc android ios devices

geschichte japans reclam sachbuch premium by josef kreiner - Feb 26 2022

web may 19 2023 geschichte japans reclam sachbuch premium by josef kreiner kreiner 4 6 étoiles sur 5 15 format kindle 12 99 das neue reclam sachbuch premium 1 10 von

geschichte japans reclam sachbuch premium ausgabe 2 - Nov 06 2022

web als ebook bei weltbild ch herunterladen bequem mit ihrem tablet oder ebook reader lesen geschichte japans reclam sachbuch premium sofort verfügbar tolino

geschichte japans reclam sachbuch premium goodreads - Apr 11 2023

web nov 9 2018 geschichte japans reclam sachbuch premium by josef kreiner editor 3 90 rating details 10 ratings 1 review in diesem e book wird die geschichte des

das neue reclam sachbuch premium reclam verlag - Oct 25 2021

web geschichte japans 528 s 14 80 euro in diesem umfassend aktualisierten band wird die geschichte des fernöstlichen inselreichs erzählt das den europäern zwar oft exotisch

suchergebnis auf amazon de für reclam geschichte - Mar 30 2022

web download geschichte japans reclam sachbuch premium ebook kreiner als deutschland sich neu erfand klußmann uwe schnurr die japan buchliste sachbuch amp roman

das neue reclam sachbuch premium reclam verlag - Jul 14 2023

web jobst kerstin s geschichte der ukraine buch universal bibliothek details in den warenkorb 12 80 296 seiten inkl mwst ggf zzgl versandkosten

[geschichte japans reclam sachbuch premium german](#) - Jun 01 2022

web reclam sachbuch premium has 18 entries in the series skip to content find a library browse collections apps geschichte japans reclam sachbuch premium series

reclam sachbuch premium geschichte japans ebook - Feb 09 2023

web nov 9 2018 in diesem e book wird die geschichte des fernöstlichen inselreichs erzählt das den europäern zwar oft

exotisch erscheint aber insbesondere

geschichte japans reclam verlag - May 12 2023

web nov 9 2018 *geschichte japans reclam sachbuch premium josef kreiner editor 4 00 12 ratings* 1 review in diesem e book wird die geschichte des fernöstlichen inselreichs

series reclam sachbuch premium overdrive - Apr 30 2022

web *geschichte japans reclam sachbuch premium von josef kreiner 9 november 2018 4 6 4 6 von 5 stern*en 118 kindle 12 99

geschichte japans josef kreiner reclam verlag - Jul 02 2022

web *geschichte japans reclam sachbuch premium german edition ebook kreiner josef amazon com au books*

ikebana l art de composer au fil des saisons copy db udrive - Feb 26 2022

web l *ikebana l art floral japonais est l une des expressions les plus raffinées de l esthétique japonaise c est une pratique ancestrale qui a subi au fil des siècles une évolution donnant naissance à des styles variés et à des formes de plus en plus créatives lorsqu on compose un arrangement l important n est pas de*

ikebana l art japonais des compositions florales suki desu - Dec 27 2021

web l *ikebana est un art très populaire au japon et au brésil nous avons donc rédigé cet article complet qui parle de l ikebana ikebana 花道 signifie littéralement fleurs vivantes un art japonais axé sur la composition florale il est également connu sous le nom de kadou 花路 qui signifie chemin de fleurs ressemblant au*

ikebana l art de composer au fil des saisons label emmaüs - Nov 06 2022

web *ikebana l art de composer au fil des saisons* découvrez l art des compositions florales japonaises à travers l étude de trois grands écoles

ikebana l art floral au fil des saisons amazon fr - Jul 02 2022

web *amazon fr ikebana l art floral au fil des saisons imai rie ueno yuji murata noboru livres livres loisirs créatifs décoration et passions art et création neuf 24 90 tous les prix incluent la tva livraison à 4 99 14 18 août détails entrez votre adresse il ne reste plus que 4 exemplaire s en stock quantité*

ikebana l art de composer au fil des saisons grand format - Apr 11 2023

web nov 18 2016 *ikebana l art de composer au fil des saisons de lila dias Éditeur mango livraison gratuite à 0 01 dès 35 d achat librairie* decitre votre prochain livre est là

ikebana l art de composer au fil des saisons wrbb neu - Jun 13 2023

web *merely said the ikebana l art de composer au fil des saisons is universally compatible following any devices to read ikebana l art de composer au fil des saisons 2020 01 08 duke glover new york magazine stock pour l anthropologue françois laplantine découvrir tokyo c est d abord se défaire des images et*

ikebana l art floral au fil des saisons yuji ueno rie imai - Jun 01 2022

web pour ceux qui aiment les fleurs tout sur un art antique entre tradition et modernité les 4 chapitres un pour chaque saison fourmillent de conseils et de suggestions pour les professionnels mais aussi les simples amateurs car l ikebana est un art à la portée de tous qui ne requiert ni techniques particulièrement élaborées ni

ikebana l art de composer au fil des saisons lecteurs com - Feb 09 2023

web nov 18 2016 un magnifique ouvrage pour les amoureux de l art floral japonais un livre unique qui aborde les 3 grandes écoles d ikebana ikenobo ohara et ikebana l art de composer au fil des saisons de odile carton et lila dias et rumiko manako aux éditions mango lecteurs com

ikebana l art de composer au fil des saisons - Aug 15 2023

web découvrez l art des compositions florales japonaises à travers l étude de trois grands écoles d ikébana ikénobo sogetsu et ohara cet ouvrage contient la réalisation photographiée étape par étape de 24 bouquets de styles très différents qui suivent le rythme des quatre saisons

ikebana l art floral au fil des saisons fnac - Sep 04 2022

web jan 22 2015 points forts des compositions uniques par des artistes japonais de renom toutes les techniques de l ikebana et une longue introduction sur cet art des images de très grande qualité du célèbre photographe noboru murata

ikebana l art de composer au fil des saisons label emmaüs - May 12 2023

web découvrez l art des compositions florales japonaises à travers l étude de trois grands écoles d ikébana ikénobo sogetsu et ohara cet

ikebana l art de composer au fil des saisons france loisirs - Jan 08 2023

web nov 18 2016 ikebana l art de composer au fil des saisons un magnifique ouvrage pour les amoureux de l art floral japonais un livre unique qui aborde les 3 grandes écoles d ikebana ikenobo ohara et sogetsu

ikebana l art de composer au fil des saisons lalibrairie com - Mar 10 2023

web découvrez et achetez le livre ikebana l art de composer au fil des saisons écrit par lila dias et odile carton et rumiko shiraishi chez mango pratique sur lalibrairie com l art de composer au fil des saisons écrit par lila dias et odile carton et rumiko shiraishi chez mango pratique sur lalibrairie com en français langues étrangères

ikebana l art floral japonais univers du japon - Oct 05 2022

web jun 26 2023 au sommet du raffinement l ikebana ou composition florale nippone est une pratique artistique très répandue au pays du soleil levant l ikebana 花道 est un art floral japonais qui permet de créer une structure naturelle décorative aux lignes épurées et à connotation spirituelle véritable œuvre vivante qui unit l homme

ikebana l art de composer au fil des saisons emile m cioran - Jan 28 2022

web jan 26 2023 as this ikebana l art de composer au fil des saisons it ends going on brute one of the favored book ikebana l art de composer au fil des saisons collections that we have this is why you remain in the best website to look the unbelievable book to have the boston tea party r conrad stein 1998 03 01

ikebana l art floral au fil des saison nuinui ch - Apr 30 2022

web description de magnifiques fleurs dans de remarquables récipients telle est l essence de l ikebana l art floral japonais traditionnel que les auteurs réinterprètent ici selon une approche innovante les 53 créations raffinées faciles à reproduire avec des plantes et des fleurs des champs ou du jardin et des objets

ikebana l art de composer au fil des saisons dias lila - Aug 03 2022

web lorsqu on compose un arrangement l important n est pas de représenter l apparence superficielle des plantes mais de traduire leur essence intime cet ouvrage présente des réalisations des trois grandes écoles d ikebana ikenobo ohara et sogetsu photographiées étape par étape ces compositions sont de différents styles et suivent le

ikebana l art de composer au fil des saisons relié fnac - Jul 14 2023

web nov 18 2016 découvrez l art des compositions florales japonaises à travers l étude de trois grands écoles d ikébana ikénobo sogetsu et ohara cet ouvrage contient la réalisation photographiée étape par étape de 24 bouquets de styles très différents qui suivent le rythme des quatre saisons

ikebana l art de composer au fil des saisons by lila dias - Mar 30 2022

web april 28th 2020 les meilleures offres pour livre ikebana l art de poser au fil des saisons sont sur ebay parez les prix et les spécificités des produits neufs et d occasion pleins d articles en livraison gratuite accéder au contenu principal explorer par catégories

livre ikebana l art de composer au fil des saisons le livre de - Dec 07 2022

web l art de composer au fil des saisons l ikebana l art floral japonais est l une des expressions les plus raffinées de l esthétique japonaise c est une pratique ancestrale qui a subi au fil des siècles une évolution donnant naissance à des styles variés et à des formes de plus en plus créatives