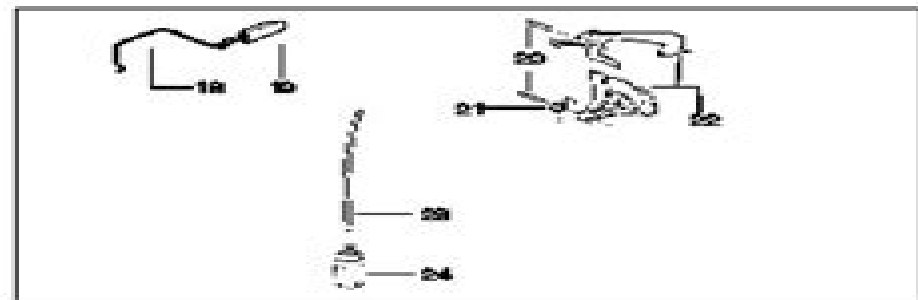
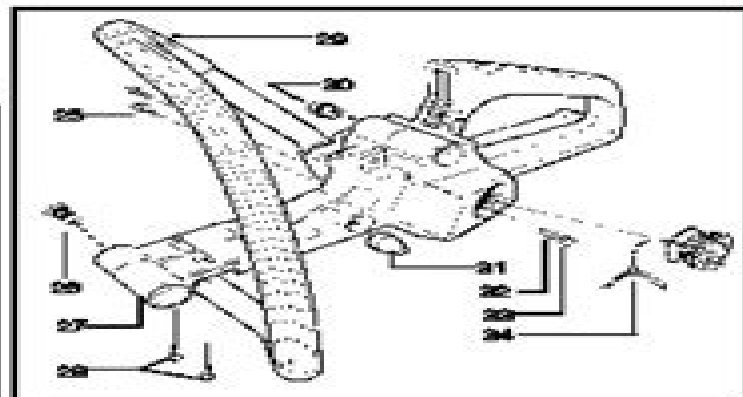
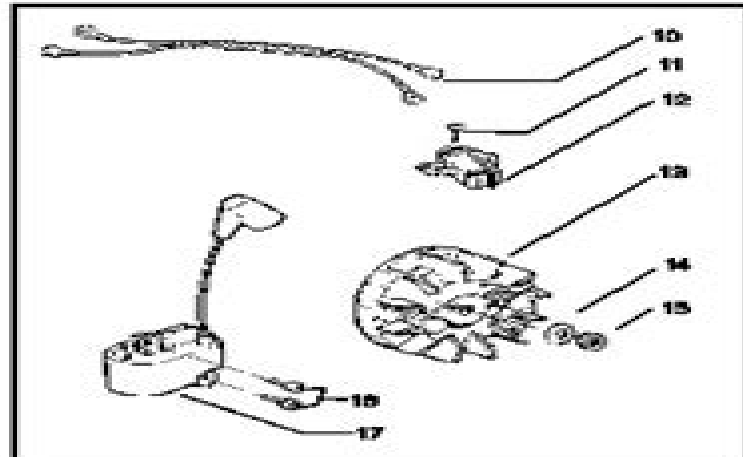
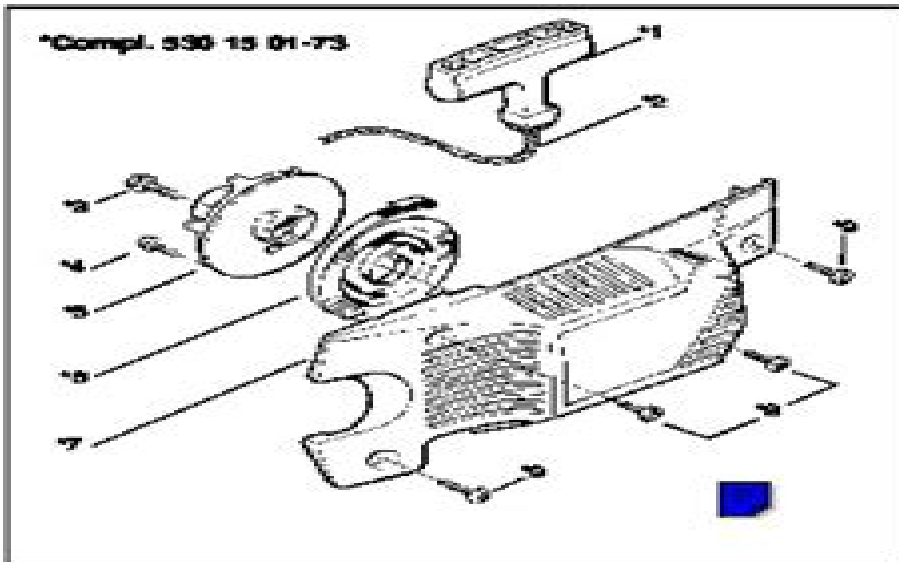


PARTS LIST NO. 3301 537 00		 Husqvarna PARTS LIST	MODEL NO. 141 LE
DATE 07/05/04	Updated 030 100 700 - 09/09/03		NOTE: Illustration may differ from actual model due to design changes.



Qty.	Part No.	Description	Qty.	Part No.	Description	Qty.	Part No.	Description
1	330000401	Handle - Starter	10	330000001	Switch - Ignition	1	330000000	Cover
1	330000000	Kit - Plug	10	330000000	Assy. - Fuel Tank	1	330000000	Switch
1	330000000	Kit - Filter	10	330000000	Washer - Fuel Tank	1	330000000	Assy. - Tank Handle
1	330000000	Kit - Fuel	10	330000001	Pin	1	330000000	Cover
1	330000000	Kit - Fuel Filter	10	330000000	Pin	1	330000000	Handle - Fuel Tank
1	330000000	Kit - Fuel Hose	10	330000000	Mount - Ignition	1	330000000	Indicator - Fuel Handle
1	330000000	Kit - Fuel Nozzle	10	330000000	Wire - Throttle	1	330000000	Indicator
1	330000000	Kit - Fuel Hose Housing	10	330000000	Cap - Wire	1	330000000	Label - Check
1	330000000	Kit - Fuel Hose	10	330000000	Pin	1	330000000	Plug - Vent
1	330000000	Kit - Fuel Hose	10	330000000	Spring	1	330000000	Kit - Assy. Fuel Cap
1	330000000	Kit - Fuel Hose	10	330000000	Kit - Throttle Trigger			
1	330000000	Kit - Fuel Hose	10	330000000	Kit - Fuel Line			
1	330000000	Kit - Fuel Hose	10	330000000	Assy. - Fuel Filter			

* IN THIS DRAWING FOR THIS SET. * IN REFER TO THE SERVICE REFERENCE INDICATED FOR MORE INFORMATION (LOCATED AT END OF SET). * IN THESE DRAWINGS ARE ILLUSTRATED FOR CLARITY. * CROSS COMPLETE ASSEMBLY.

Husqvarna 141 Service Manual

Zhe Xu



Husqvarna 141 Service Manual:

American Book Publishing Record ,1977-03-31 Here s quick access to more than 490 000 titles published from 1970 to 1984 arranged in Dewey sequence with sections for Adult and Juvenile Fiction Author and Title indexes are included and a Subject Guide correlates primary subjects with Dewey and LC classification numbers These cumulative records are available in three separate sets *British Books in Print* ,1979 **American Motorcyclist** ,1983-12 American Motorcyclist magazine the official journal of the American Motorcyclist Associaton tells the stories of the people who make motorcycling the sport that it is It s available monthly to AMA members Become a part of the largest most diverse and most enthusiastic group of riders in the country by visiting our website or calling 800 AMA JOIN *American Book Publishing Record Cumulative, 1950-1977* R.R. Bowker Company. Department of Bibliography,1978 **American Motorcyclist** ,1977-08 American Motorcyclist magazine the official journal of the American Motorcyclist Associaton tells the stories of the people who make motorcycling the sport that it is It s available monthly to AMA members Become a part of the largest most diverse and most enthusiastic group of riders in the country by visiting our website or calling 800 AMA JOIN *Moody's International Manual* ,1994 **American Motorcyclist** ,1984-03 American Motorcyclist magazine the official journal of the American Motorcyclist Associaton tells the stories of the people who make motorcycling the sport that it is It s available monthly to AMA members Become a part of the largest most diverse and most enthusiastic group of riders in the country by visiting our website or calling 800 AMA JOIN *Pulp and Paper Manual of Canada* ,1972 **American Motorcyclist** ,1984-10 American Motorcyclist magazine the official journal of the American Motorcyclist Associaton tells the stories of the people who make motorcycling the sport that it is It s available monthly to AMA members Become a part of the largest most diverse and most enthusiastic group of riders in the country by visiting our website or calling 800 AMA JOIN *American Motorcyclist* ,1977-05 American Motorcyclist magazine the official journal of the American Motorcyclist Associaton tells the stories of the people who make motorcycling the sport that it is It s available monthly to AMA members Become a part of the largest most diverse and most enthusiastic group of riders in the country by visiting our website or calling 800 AMA JOIN

Yeah, reviewing a books **Husqvarna 141 Service Manual** could build up your close contacts listings. This is just one of the solutions for you to be successful. As understood, feat does not suggest that you have astonishing points.

Comprehending as with ease as understanding even more than other will provide each success. next-door to, the message as competently as perspicacity of this Husqvarna 141 Service Manual can be taken as competently as picked to act.

https://staging.conocer.cide.edu/data/scholarship/Documents/Ford_Transit_Workshop_Repair_And_Service_Manual.pdf

Table of Contents Husqvarna 141 Service Manual

1. Understanding the eBook Husqvarna 141 Service Manual
 - The Rise of Digital Reading Husqvarna 141 Service Manual
 - Advantages of eBooks Over Traditional Books
2. Identifying Husqvarna 141 Service Manual
 - Exploring Different Genres
 - Considering Fiction vs. Non-Fiction
 - Determining Your Reading Goals
3. Choosing the Right eBook Platform
 - Popular eBook Platforms
 - Features to Look for in an Husqvarna 141 Service Manual
 - User-Friendly Interface
4. Exploring eBook Recommendations from Husqvarna 141 Service Manual
 - Personalized Recommendations
 - Husqvarna 141 Service Manual User Reviews and Ratings
 - Husqvarna 141 Service Manual and Bestseller Lists
5. Accessing Husqvarna 141 Service Manual Free and Paid eBooks
 - Husqvarna 141 Service Manual Public Domain eBooks
 - Husqvarna 141 Service Manual eBook Subscription Services

- Husqvarna 141 Service Manual Budget-Friendly Options
- 6. Navigating Husqvarna 141 Service Manual eBook Formats
 - ePub, PDF, MOBI, and More
 - Husqvarna 141 Service Manual Compatibility with Devices
 - Husqvarna 141 Service Manual Enhanced eBook Features
- 7. Enhancing Your Reading Experience
 - Adjustable Fonts and Text Sizes of Husqvarna 141 Service Manual
 - Highlighting and Note-Taking Husqvarna 141 Service Manual
 - Interactive Elements Husqvarna 141 Service Manual
- 8. Staying Engaged with Husqvarna 141 Service Manual
 - Joining Online Reading Communities
 - Participating in Virtual Book Clubs
 - Following Authors and Publishers Husqvarna 141 Service Manual
- 9. Balancing eBooks and Physical Books Husqvarna 141 Service Manual
 - Benefits of a Digital Library
 - Creating a Diverse Reading Collection Husqvarna 141 Service Manual
- 10. Overcoming Reading Challenges
 - Dealing with Digital Eye Strain
 - Minimizing Distractions
 - Managing Screen Time
- 11. Cultivating a Reading Routine Husqvarna 141 Service Manual
 - Setting Reading Goals Husqvarna 141 Service Manual
 - Carving Out Dedicated Reading Time
- 12. Sourcing Reliable Information of Husqvarna 141 Service Manual
 - Fact-Checking eBook Content of Husqvarna 141 Service Manual
 - Distinguishing Credible Sources
- 13. Promoting Lifelong Learning
 - Utilizing eBooks for Skill Development
 - Exploring Educational eBooks
- 14. Embracing eBook Trends

- Integration of Multimedia Elements
- Interactive and Gamified eBooks

Husqvarna 141 Service Manual Introduction

In the digital age, access to information has become easier than ever before. The ability to download Husqvarna 141 Service Manual has revolutionized the way we consume written content. Whether you are a student looking for course material, an avid reader searching for your next favorite book, or a professional seeking research papers, the option to download Husqvarna 141 Service Manual has opened up a world of possibilities. Downloading Husqvarna 141 Service Manual provides numerous advantages over physical copies of books and documents. Firstly, it is incredibly convenient. Gone are the days of carrying around heavy textbooks or bulky folders filled with papers. With the click of a button, you can gain immediate access to valuable resources on any device. This convenience allows for efficient studying, researching, and reading on the go. Moreover, the cost-effective nature of downloading Husqvarna 141 Service Manual has democratized knowledge. Traditional books and academic journals can be expensive, making it difficult for individuals with limited financial resources to access information. By offering free PDF downloads, publishers and authors are enabling a wider audience to benefit from their work. This inclusivity promotes equal opportunities for learning and personal growth. There are numerous websites and platforms where individuals can download Husqvarna 141 Service Manual. These websites range from academic databases offering research papers and journals to online libraries with an expansive collection of books from various genres. Many authors and publishers also upload their work to specific websites, granting readers access to their content without any charge. These platforms not only provide access to existing literature but also serve as an excellent platform for undiscovered authors to share their work with the world. However, it is essential to be cautious while downloading Husqvarna 141 Service Manual. Some websites may offer pirated or illegally obtained copies of copyrighted material. Engaging in such activities not only violates copyright laws but also undermines the efforts of authors, publishers, and researchers. To ensure ethical downloading, it is advisable to utilize reputable websites that prioritize the legal distribution of content. When downloading Husqvarna 141 Service Manual, users should also consider the potential security risks associated with online platforms. Malicious actors may exploit vulnerabilities in unprotected websites to distribute malware or steal personal information. To protect themselves, individuals should ensure their devices have reliable antivirus software installed and validate the legitimacy of the websites they are downloading from. In conclusion, the ability to download Husqvarna 141 Service Manual has transformed the way we access information. With the convenience, cost-effectiveness, and accessibility it offers, free PDF downloads have become a popular choice for students, researchers, and book lovers worldwide. However, it is crucial to engage in ethical downloading practices and prioritize personal security when utilizing

online platforms. By doing so, individuals can make the most of the vast array of free PDF resources available and embark on a journey of continuous learning and intellectual growth.

FAQs About Husqvarna 141 Service Manual Books

How do I know which eBook platform is the best for me? Finding the best eBook platform depends on your reading preferences and device compatibility. Research different platforms, read user reviews, and explore their features before making a choice. Are free eBooks of good quality? Yes, many reputable platforms offer high-quality free eBooks, including classics and public domain works. However, make sure to verify the source to ensure the eBook credibility. Can I read eBooks without an eReader? Absolutely! Most eBook platforms offer web-based readers or mobile apps that allow you to read eBooks on your computer, tablet, or smartphone. How do I avoid digital eye strain while reading eBooks? To prevent digital eye strain, take regular breaks, adjust the font size and background color, and ensure proper lighting while reading eBooks. What the advantage of interactive eBooks? Interactive eBooks incorporate multimedia elements, quizzes, and activities, enhancing the reader engagement and providing a more immersive learning experience. Husqvarna 141 Service Manual is one of the best book in our library for free trial. We provide copy of Husqvarna 141 Service Manual in digital format, so the resources that you find are reliable. There are also many Ebooks of related with Husqvarna 141 Service Manual. Where to download Husqvarna 141 Service Manual online for free? Are you looking for Husqvarna 141 Service Manual PDF? This is definitely going to save you time and cash in something you should think about.

Find Husqvarna 141 Service Manual :

ford transit workshop repair and service manual

[ford transit minibus user manual](#)

fort hare application forms 2016

~~formations et professionnalisations agrave leacutepreuve de la complexiteacute~~

ford tractor 3400 factory service repair manual

[ford system wiring diagram](#)

[form p rules guidelines](#)

ford taurus rims for user guide

forever after catherine anderson

ford transit diesel repair manual

ford van fuse box

ford transit 2003 wiring diagrams

forex le swing trading avec heikin ashi clubforex

form for nursing training for 2016

forgiven the demon trappers 3 jana oliver

Husqvarna 141 Service Manual :

le petit atelier de monet raffaella russo ricci cultura - Mar 11 2023

web le petit atelier de monet raffaella russo ricci 2754104747 les documentaires dès 6 ans livres pour enfants dès 6 ans

cultura le petit atelier de monet par raffaella russo ricci aux éditions hazan

le petit atelier de monet livre pas cher raffaella russo ricci - Oct 06 2022

web deuxième volume de la collection le présent ouvrage propose aux enfants de suivre un des artistes majeurs de l'impressionnisme dans son immense atelier le paysage qu'il s'agisse de la campagne ou de la ville

le petit atelier de monet relié 19 mai 2010 amazon fr - Jun 14 2023

web historienne de l'art raffaella russo ricci travaille depuis plusieurs années dans le monde de l'édition d'art en Italie en France et en Allemagne elle est l'auteur d'un ouvrage sur les palais de Venise Hazan 1998 et sur Caspar David Friedrich Leonardo Arte 1999

le petit atelier de monet album decitre - Feb 10 2023

web may 19 2010 le petit atelier de monet de raffaella russo ricci Éditeur Hazan livraison gratuite à 0 01 dès 35 € d'achat librairie decitre votre prochain livre est là

le petit atelier de monet monographie french edition - Jul 03 2022

web may 19 2010 le petit atelier de monet monographie french edition russo ricci raffaella on amazon.com free shipping on qualifying offers le petit atelier de monet monographie french edition

le petit atelier de monet hazan - Aug 16 2023

web jun 3 2009 12 50 une introduction poétique à la vie et à l'art de Monet permettant aux petits au fur et à mesure qu'ils progressent dans l'œuvre d'en saisir sa dimension vibrante et lumineuse à chaque page un bref glossaire explique mots clefs et termes artistiques

le petit atelier de monet couverture rigide abebooks france - Nov 07 2022

web présentation de l'éditeur une introduction poétique à la vie et à l'art de Monet permettant aux petits au fur et à mesure

qu'ils progressent dans l'œuvre et en saisir sa dimension vibrante et lumineuse

le petit atelier de monet libellus grand cognac - Dec 08 2022

web le présent ouvrage propose aux enfants de suivre un des artistes majeurs de l'impressionnisme dans son immense atelier le paysage qu'il s'agisse de la campagne ou de la ville des reflets sur la seine aux champs de coquelicots de ponts d'argenteuil aux falaises d'Étretat des ciels brumeux de Londres aux étangs de Giverny Claude Monet

le petit atelier de monet réseau lire en boucles - Sep 05 2022

web résumé introduction à la vie et à l'art de Monet ainsi qu'à l'impressionnisme à travers des commentaires d'œuvres et des devinettes sources Babelthèque commentaires

une expo À ne pas manquer le jardin de monet éclot à - Jun 02 2022

web Oct 10 2012 le musée Sakıp Sabancı accueille depuis hier et pendant trois mois une exposition qui devrait ravir les amateurs du célèbre peintre Claude Monet elle rassemble une quarantaine d'œuvres

le petit atelier de monet russo ricci raffaella auteur free - Jul 15 2023

web introduction à la vie et à l'art de Monet ainsi qu'à l'impressionnisme à travers des commentaires d'œuvres et des devinettes solutions en fin de vol

le petit atelier de monet cartonné raffaella russo ricci fnac - Apr 12 2023

web deuxième volume de la collection le présent ouvrage propose aux enfants de suivre un des artistes majeurs de l'impressionnisme dans son immense atelier le paysage qu'il s'agisse de la campagne ou de la ville des reflets

coin d atelier 1861 claude monet wikiart org - May 01 2022

web Brotherhood 2018 directed by Meryam Joobeur written by Meryam Joobeur produced by Maria Gracia Turgeon Habib Attia Mohamed is deeply shaken when his oldest son Malik returns home after a long journey with a mysterious new wife regarde maintenant

le petit atelier de monet raffaella russo ricci hazan - Jan 09 2023

web deuxième volume de la collection le présent ouvrage propose aux enfants de suivre un des artistes majeurs de l'impressionnisme dans son immense atelier le paysage qu'il s'agisse de la campagne ou de la ville

instagram - Mar 31 2022

web instagram

le petit atelier istanbul facebook - Dec 28 2021

web le petit atelier Istanbul Turkey 6 were here atelier d'art en français pour les petits entre 4 et 8 ans au programme céramique peinture et c

monet restaurant istanbul beşiktaş tripadvisor - Jan 29 2022

web monet restaurant istanbul consultez 9 avis sur monet restaurant noté 4 5 sur 5 sur tripadvisor et classé 3 434 sur 15 396 restaurants à istanbul

[le petit atelier de monet hachette fr](#) - May 13 2023

web may 19 2010 résumé détails une introduction poétique à la vie et à l art de monet permettant aux petits au fur et à mesure qu ils progressent dans l œuvre d en saisir sa dimension vibrante et lumineuse a chaque page un bref glossaire explique mots clefs et termes artistiques

le petit atelier de monet by raffaella russo ricci goodreads - Aug 04 2022

web une introduction poetique a la vie et a l art de monet permettant aux petits au fur et a mesure qu ils progressent dans l oeuvre d en saisir sa dimension vibrante et lumineuse a chaque page un bref glossaire explique mots clefs et termes artistiques

enfants et familles musée marmottan monet - Feb 27 2022

web le musée marmottan monet a repris son cycle de médiation à destination du jeune public 4 à 10 ans différents ateliers vous sont proposés par une médiatrice du musée tous les mercredis et durant les vacances scolaires

[ebook diary entry written in afrikaans](#) - Nov 07 2022

web diary entry written in afrikaans daily diary sep 14 2021 click the author name writedaily publications for more covers be prepared and keep yourself organized for anything with this stylish daily diary notebook perfect to help you reflect or plan every day of 2020 includes the leap year 29th february

translate how to write a diary entry in afrikaans mymemory - May 01 2022

web contextual translation of how to write a diary entry into afrikaans human translations with examples ek sal jou leer dagboekinskrywing

[diary in afrikaans translate com](#) - Feb 27 2022

web need the translation of diary in afrikaans but even don t know the meaning use translate com to cover it all

translate a afrikaans diary entry in afrikaans in context mymemory - Sep 05 2022

web write a diary entry consisting of two entries about nadia s experiences van die tydperk by die vorige skool en die verandering en aan passing by die nuwe skool afrikaans skryf n dagboekinskrywing bestaande uit twee inskrywings oor nadia se erarings

[translate example of a diary entry in afrikaans mymemory](#) - Mar 31 2022

web a afrikaans diary entry n afrikaanse dagboekinskrywing last update 2020 09 20 usage frequency 1 quality reference anonymous birthday diary entry verjaarsdagdagboekinskrywing last update 2022 04 19 usage frequency 1 quality reference anonymous example of a source list voorbeeld van n bronnelys last update

translate diary entries examples afrikaans in afrikaans mymemory - Jan 29 2022

web diary entries examples on i wish i had a friend that can play piano dagboekinskrywings voorbeelde op ek wens ek het n vriend gehad wat klavier kan speel last update 2017 09 17 usage frequency 1 quality reference anonymous diary entry about being scared of the dark afrikaans

how to write a diary entry in afrikaans the dizaldo blog - Jul 15 2023

web the first step to writing a diary entry in afrikaans is to choose a theme a theme is a broad idea or topic that you want to explore it could be something that happened during the day a feeling or emotion that you experienced or an idea that resonated with you

diary entry examples teacher made twinkl - Dec 28 2021

web how can i teach how to write diary entries in the classroom use these writing samples in conjunction with the diary writing checklists for investigating features or using as a scaffold for writing there are three different diary entry

diary entry written in afrikaans pdf gccca - Feb 10 2023

web mar 23 2023 diary entry written in afrikaans pdf is available in our digital library an online access to it is set as public so you can get it instantly our books collection spans in multiple countries allowing you to get the most less latency time to

translate diary entry in afrikaans with examples mymemory - Oct 06 2022

web sep 4 2023 translate diary entry in afrikaans with examples results for diary entry translation from english to afrikaans api call human contributions from professional translators enterprises web pages and freely available translation repositories add a translation english afrikaans info diary entry dagboekinskrywing last update 2023 09 04

diary entry written in afrikaans m plumvillage - Jun 02 2022

web 4 diary entry written in afrikaans 2020 05 30 got much time one five and ten minute introductions to key principles to get you started author insights lots of instant help with common problems and quick tips for success based on the author s many years of experience grammar tips easy to follow building blocks to give you a clear

how to write a diary in afrikaans youtube - Aug 16 2023

web may 26 2016 subscribe 238 share 18k views 7 years ago brief description of how to write a diary entry for afrikaans more more brief description of how to write a

diary in afrikaans english afrikaans dictionary glosbe - Apr 12 2023

web check diary translations into afrikaans look through examples of diary translation in sentences listen to pronunciation and learn grammar

i need to write a diary entry in afrikaans based on you was - Jan 09 2023

web oct 20 2018 using afrikaans you must include all the how you became sick and what are the effects of exams on your

sickness the diary entry must be able to explain the main reasons behind your sickness due to upcoming exams

292 top diary entry afrikaans teaching resources curated for - Jun 14 2023

web wagoll recount writing sample 4 5 4 reviews rolf s diary activity to support teaching on tuesdays at the castle by jessica day george 1916 rising diary entries annie moore diary entry a monster surprise the monster s diary writing worksheet 5 0 5 reviews harland and wolff diary entry worksheets

what is the format of a afrikaans diary entry answers - Mar 11 2023

web may 10 2022 what is format of diary entry format for diary entry day date 7th june 2015 time dear diary note not all diarists use an opening on each entry

luister en lees bl 120 lees en praat bl 121 skryftyd - Jul 03 2022

web look at the example of a short diary entry and write your own diary entry of 50 60 words about all the sounds that you have heard today and how you felt or write how you felt when you visited the dentist and he used his tooth drill pret met taal bl 122 a copy and complete sentences with the correct antonyms

how do you write a diary entry check it out ask south africa - May 13 2023

web jun 13 2022 by ask south africa tips for writing a diary entry date your entries diaries are commonly written to be kept for a long period of time so noting down the dates would help you to find your entries in future use dear diary formula choose a topic

diary entry written in afrikaans secure4 khronos - Dec 08 2022

web jun 18 2023 diary entry written in afrikaans is reachable in our novel compilation an online access to it is set as public so you can get it instantaneously this diary entry written in afrikaans as one of the greater part running sellers here will totally be associated with by the best options to review

translate diary entries format in afrikaans with examples - Aug 04 2022

web jul 28 2021 reference anonymous diary entries examples on i wish i had a friend that can play piano dagboekinskrywing voorbeelde op ek wens ek het n vriend gehad wat klavier kan speel last update 2017 09 17 usage frequency 1 quality reference anonymous a afrikaans diary entry n afrikaanse dagboekinskrywing

lonely planet lao phrasebook dictionary goodreads - Sep 08 2022

web read reviews from the world s largest community for readers lonely the world s leading travel guide publisher with lonely planet s lao phrasebook let no

lonely planet lao phrasebook dictionary by lonely planet - Aug 07 2022

web lonely planet lao phrasebook is your handy passport to the most relevant and useful lao phrases and vocabulary for all your travel needs get

lonely planet lao phrasebook dictionary 5 bookshop - Nov 10 2022

web lonely planet lao phrasebook dictionary is your handy passport to culturally enriching travels with the most relevant and useful lao phrases and vocabulary for all your travel needs get recommendations for local dishes and directions to historic sights all with your trusted travel companion

lonely planet lao phrasebook dictionary 5 5th ed paperback - May 16 2023

web jul 21 2020 lonely planet lao phrasebook dictionary is your handy passport to culturally enriching travels with the most relevant and useful lao phrases and vocabulary for all your travel needs get recommendations for local dishes and directions to historic sights all with your trusted travel companion

loading interface goodreads - May 04 2022

web discover and share books you love on goodreads

lonely planet lao phrasebook dictionary 5 by lonely planet - Jun 17 2023

web lonely planet lao phrasebook dictionary is your handy passport to culturally enriching travels with the most relevant and useful lao phrases and vocabulary for all your travel needs get recommendations for local dishes and directions to historic sights all with your trusted travel companion

lonely planet lao phrasebook dictionary paperback - Jan 12 2023

web jul 16 2020 lonely planet lao phrasebook dictionary is your handy passport to culturally enriching travels with the most relevant and useful lao phrases and vocabulary for all your travel needs get recommendations for local dishes and directions to historic sights all with your trusted travel companion

lonely planet lao phrasebook dictionary paperback amazon in - Apr 15 2023

web 4 7 9 ratings part of phrasebook dictionary 31 books see all formats and editions paperback 533 31 4 new from 533 31 save extra with 3 offers no cost emi avail no cost emi on select cards for orders above 3000 details bank offer 3 7 5 instant discount up to inr 1250 on yes bank credit card emi txn

lonely planet lao phrasebook dictionary by lonely planet - Feb 13 2023

web jun 1 2020 lonely planet lao phrasebook dictionary is your handy passport to culturally enriching travels with the most relevant and useful lao phrases and vocabulary for all your travel needs get recommendations for local dishes and directions to historic sights all with your trusted travel companion

lao phrasebook dictionary lonely planet online shop - Oct 21 2023

web lonely planet lao phrasebook dictionary a pocket sized comprehensive language guide provides on the go language assistance great for language students and travellers looking to interact with locals and immerse themselves in local culture

europe phrasebook dictionary lonely planet online shop - Jun 05 2022

web lonely planet s europe phrasebook language guide is your handy passport to culturally enriching travels with relevant travel phrases and vocabulary organized by language this pocket sized comprehensive multi language guide provides on the go language assistance for all levels read more book 10 99 usd ebook 7 69 usd

[lonely planet lao phrasebook dictionary 5 by lonely planet](#) - Mar 02 2022

web lonely planet lao phrasebook dictionary is your handy passport to culturally enriching travels with the most relevant and useful lao phrases

lao phrasebook dictionary lonely planet phrasebook dictionary - Mar 14 2023

web jun 1 2020 lonely planet lao phrasebook dictionary is your handy passport to culturally enriching travels with the most relevant and useful lao phrases and vocabulary for all your travel needs get recommendations for local dishes and directions to historic sights all with your trusted travel companion

[lonely planet lao phrasebook dictionary wordery com](#) - Jul 06 2022

web jun 12 2020 get free shipping on lonely planet lao phrasebook dictionary by lonely planet from wordery com lonely planet lao phrasebook dictionary is your handy passport to culturally enriching travels with the most relevant and useful lao phrases and vocabulary for all your travel needs

lao phrasebook dictionary lonely planet online shop - Sep 20 2023

web lonely planet lao phrasebook is your handy passport to the most relevant and useful lao phrases and vocabulary for all your travel needs get recommendations for local dishes and directions to historic sights all with your trusted travel companion

lao phrasebook dictionary 5 preview lonely planet - Aug 19 2023

web modern lao linguists recognise four basic dialects within the country vientiane lao northern lao spoken in sainyabuli bokeo udomxai phongsali luang nam tha and

lonely planet lao phrasebook dictionary amazon com - Dec 11 2022

web apr 1 2014 paperback 5 42 6 used from 5 42 1 new from 18 95 there is a newer edition of this item lonely planet lao phrasebook dictionary 5 9 88 10 only 13 left in stock more on the way lonely planet the world s leading travel guide publisher with lonely planet s lao phrasebook let no barriers language or culture get in your way

[lonely planet lao phrasebook dictionary 5 amazon com](#) - Jul 18 2023

web jul 21 2020 lonely planet lao phrasebook dictionary is your handy passport to culturally enriching travels with the most relevant and useful lao phrases and vocabulary for all your travel needs get recommendations for local dishes and directions to historic sights all with your trusted travel companion

central asia phrasebook dictionary lonely planet online shop - Apr 03 2022

web book ebook 11 69 usd add to cart chit chat your way along the famous silk road with this broad ranging phrasebook and once you ve made an effort to speak any of the native central asian languages with the locals you won t need to look up the translation for the word hospitality

[lonely planet lao phrasebook dictionary open library](#) - Oct 09 2022

web may 17 2023 lonely planet lao phrasebook dictionary by lonely planet 2020 lonely planet publications edition in english